

Каталог

Воротные системы. Секционные ворота

По вопросам продаж и поддержки обращайтесь: ahc@nt-rt.ru

www.alutech.nt-rt.ru

Архангельск (8182)63-90-72,
Астана+7(7172)727-132,
Белгород(4722)40-23-64,
Брянск(4832)59-03-52,
Владивосток(423)249-28-31,
Волгоград(844)278-03-48,
Вологда(8172)26-41-59,
Воронеж(473)204-51-73,
Екатеринбург(343)384-55-89,
Иваново(4932)77-34-06,
Ижевск(3412)26-03-58,
Казань(843)206-01-48,
Калининград(4012)72-03-81,
Калуга(4842)92-23-67,
Кемерово(3842)65-04-62,
Киров(8332)68-02-04,

Краснодар(861)203-40-90,
Красноярск(391)204-63-61,
Курск(4712)77-13-04,
Липецк(4742)52-20-81,
Магнитогорск(3519)55-03-13,
Москва(495)268-04-70,
Мурманск(8152)59-64-93,
НабережныеЧелны(8552)20-53-41,
НижнийНовгород(831)429-08-12,
Новокузнецк(3843)20-46-81,
Новосибирск(383)227-86-73,
Орел(4862)44-53-42,
Оренбург(3532)37-68-04,
Пенза(8412)22-31-16,
Пермь(342)205-81-47,
Ростов-на-Дону(863)308-18-15,

Рязань(4912)46-61-64,
Самара(846)206-03-16,
Санкт-Петербург(812)309-46-40,
Саратов(845)249-38-78,
Смоленск(4812)29-41-54,
Сочи(862)225-72-31,
Ставрополь(8652)20-65-13,
Тверь(4822)63-31-35,
Томск(3822)98-41-53,
Тула(4872)74-02-29,
Тюмень(3452)66-21-18,
Ульяновск(8422)24-23-59,
Уфа(347)229-48-12,
Челябинск(351)202-03-61,
Череповец(8202)49-02-64,
Ярославль(4852)69-52-93,

СОДЕРЖАНИЕ

1.	«Алютех Воротные Системы» — предприятие Группы компаний «АЛЮТЕХ»	11
2.	Сертификаты	17
3.	Секционные ворота серий Classic и ProPlus с торсионным валом	21
	• Конструкция секционных ворот с торсионным валом.....	23
	• Полотно ворот	29
	• Встроенная калитка.....	85
	• Системы направляющих и подвеса.....	129
	• Торсионный вал.....	169
4.	Секционные гаражные ворота серии Classic с пружинами растяжения	203
	• Конструкция секционных гаражных ворот серии Classic с пружинами растяжения.....	205
	• Полотно ворот	207
	• Системы направляющих и подвеса.....	217
	• Система балансировки.....	227
5.	Дополнительная комплектация	235
6.	Метизы	247
7.	Ремонтные узлы	255

Артикул	№ страницы
4,8x9,5SDX.....	256
6,3x16S.....	255
6,3x25S-SS.....	256
8x25S.....	256
AC-1.....	177
AC-5/4.....	177
B-86.....	186
B133.....	154
B134.....	153
B-152.....	187
B-152A.....	187
B180SL.....	228
B180SR.....	228
B0300.....	161
BB0401.....	200
BR0400.....	200
BS11.....	100
BSB0302.....	170
C2x0,5.....	126
C-9/57.....	80
C-36/41.....	129
C-36/41M.....	129
C0502.....	245
C1010.....	60
C1011.....	60
CD010N.....	188
CD011V.....	191
CD012N.....	188
CD018N.....	188
CD018V.....	191
CD018V-5/4.....	191
CD032N.....	189
CD032N-5/4.....	189
CD054H.....	189
CD120H.....	190
CD164H.....	190
CD164H-5/4.....	190
CH0501.....	245
CP113-80.....	156
CP113-100.....	156
CP113-120.....	156
CP113-130.....	156
CP113-150.....	156
CP113-180.....	156
CP-133.....	157
CP0506.....	242
CP813-100.....	156
CP813-120.....	156
CP813-150.....	156
CP813-180.....	156
CP861.....	157
CP861S.....	227
CP864.....	157
CR-3-250.....	192
CR-3-250.....	236
CR-3-250-P.....	192
CR-3-250-SS.....	192
CR-4-250.....	192
CR-4-250-P.....	192
CR-4-250-SS.....	192
CR-5-250.....	192
CR-5-250-P.....	192
CR-5-250-SS.....	192
CR-6-250.....	192
CR-6-250-P.....	192
CR-6-250-SS.....	192
CRP-68.....	194
CRP-100.....	194
CRS1-3.....	193

Артикул	№ страницы
CRS1-4.....	193
CRS1-5.....	193
CRS1-6.....	193
CRS2-3.....	193
CRS2-3.....	236
CRS2-4.....	193
CRS2-5.....	193
CRS2-6.....	193
CRT-3.....	193
CRT-3.....	236
CRT-5.....	193
CRT-6.....	193
CT0.05-425-3025.....	45
CT0.05-425-3525.....	45
CT0.05-425-4025.....	45
CT0.05-425-4526.....	45
CT0.05-425-5040.....	45
CT0.05-425-7895.....	45
CT0.05-450-3025.....	45
CT0.05-450-3525.....	45
CT0.05-450-4025.....	45
CT0.05-450-4526.....	45
CT0.05-450-5040.....	45
CT0.05-450-7895.....	45
CT0.05-475-3025.....	46
CT0.05-475-3525.....	46
CT0.05-475-4025.....	46
CT0.05-475-4526.....	46
CT0.05-475-5040.....	46
CT0.05-475-7895.....	46
CT0.05-500-3025.....	46
CT0.05-500-3525.....	46
CT0.05-500-4025.....	46
CT0.05-500-4526.....	46
CT0.05-500-5040.....	46
CT0.05-500-7895.....	46
CT0.05-525-3025.....	47
CT0.05-525-3525.....	47
CT0.05-525-4025.....	47
CT0.05-525-4526.....	47
CT0.05-525-5040.....	47
CT0.05-525-7895.....	47
CT0.06-425-3025.....	45
CT0.06-425-3525.....	45
CT0.06-425-4025.....	45
CT0.06-425-4526.....	45
CT0.06-425-5040.....	45
CT0.06-425-7895.....	45
CT0.06-450-3025.....	45
CT0.06-450-3525.....	45
CT0.06-450-4025.....	45
CT0.06-450-4526.....	45
CT0.06-450-5040.....	45
CT0.06-450-7895.....	45
CT0.06-475-3025.....	46
CT0.06-475-3525.....	46
CT0.06-475-4025.....	46
CT0.06-475-4526.....	46
CT0.06-475-5040.....	46
CT0.06-475-7895.....	46
CT0.06-500-3025.....	46
CT0.06-500-3525.....	46
CT0.06-500-4025.....	46
CT0.06-500-4526.....	46
CT0.06-500-5040.....	46
CT0.06-500-7895.....	46
CT0.06-525-3025.....	47
CT0.06-525-3525.....	47
CT0.06-525-4025.....	47

Артикул	№ страницы
CT0.06-525-4526.....	47
CT0.06-525-5040.....	47
CT0.06-525-7895.....	47
CT1.01-425-3025.....	42
CT1.01-425-3525.....	42
CT1.01-425-4025.....	42
CT1.01-425-4526.....	42
CT1.01-425-5040.....	42
CT1.01-425-7895.....	42
CT1.01-450-3025.....	42
CT1.01-450-3525.....	42
CT1.01-450-4025.....	42
CT1.01-450-4526.....	42
CT1.01-450-5040.....	42
CT1.01-450-7895.....	42
CT1.01-475-3025.....	43
CT1.01-475-3525.....	43
CT1.01-475-4025.....	43
CT1.01-475-4526.....	43
CT1.01-475-5040.....	43
CT1.01-475-7895.....	43
CT1.01-500-3025.....	43
CT1.01-500-3525.....	43
CT1.01-500-4025.....	43
CT1.01-500-4526.....	43
CT1.01-500-5040.....	43
CT1.01-500-7895.....	43
CT1.01-525-3025.....	44
CT1.01-525-3525.....	44
CT1.01-525-4025.....	44
CT1.01-525-4526.....	44
CT1.01-525-5040.....	44
CT1.01-525-7895.....	44
CT1.02-425-3025.....	42
CT1.02-425-3525.....	42
CT1.02-425-4025.....	42
CT1.02-425-4526.....	42
CT1.02-425-5040.....	42
CT1.02-425-7895.....	42
CT1.02-450-3025.....	42
CT1.02-450-3525.....	42
CT1.02-450-4025.....	42
CT1.02-450-4526.....	42
CT1.02-450-5040.....	42
CT1.02-450-7895.....	42
CT1.02-475-3025.....	43
CT1.02-475-3525.....	43
CT1.02-475-4025.....	43
CT1.02-475-4526.....	43
CT1.02-475-5040.....	43
CT1.02-475-7895.....	43
CT1.02-500-3025.....	43
CT1.02-500-3525.....	43
CT1.02-500-4025.....	43
CT1.02-500-4526.....	43
CT1.02-500-5040.....	43
CT1.02-500-7895.....	43
CT1.02-525-3025.....	44
CT1.02-525-3525.....	44
CT1.02-525-4025.....	44
CT1.02-525-4526.....	44
CT1.02-525-5040.....	44
CT1.02-525-7895.....	44
DIC043BR.....	83
DIC043WH.....	83
DIS043BR-3.....	83
DIS043BR-4.....	84
DIS043WH-3.....	83
DIS043WH-4.....	84

БЫСТРЫЙ ПОИСК

Артикул	№ страницы
DP0207	125
DP2010	125
DP2027	125
DR-11-05	241
DR-11-07	241
DR-11-10	241
DR-12-05	241
DR-12-07	241
DR-12-10	241
EC-12.450L	48
EC-12.450R	48
EC-12.500L	48
EC-12.500R	48
EC-12.625L	48
EC-12.625R	48
EC-425L	48
EC-425R	48
EC-450L	48
EC-450R	48
EC-475L	48
EC-475R	48
EC-500L	48
EC-500R	48
EC-525L	48
EC-525R	48
EC-625L	48
EC-625R	48
ECS-500L	214
ECS-500R	214
ECS-625L	214
ECS-625R	214
FPB5007	71
FPB5009	72
FPB5010	72
FPP5008	72
FRK07	59
FRK29-01	58
FRK37	59
FRK38	59
FWO100/145B	247
FWO100C	249
FWO100F	248
FWO100H	249
FWO145C	249
FWO145F	248
FWO145H	250
GLG-1	265
GLG-2	265
GLG-3	262
GLG-4	262
GLG-5	288
GLG-6	288
GLG-7	282
GLG-8	289
GLG-9	289
GLG-10	283
GSH-1	321
GSH-2	321
GSH-3	321
GSH-4	322
GSH-5	322
GSH-6	322
GSH-7	322
GSH-8	322
GSH-9	322
GSH-10	322
GSH-12	324
GSH-13	324
GSH-14	324

Артикул	№ страницы
GSH-15	324
GSH-16	324
GSH-17	323
GSH-18	323
GSH-19	325
GSH-20	325
GSH-21	325
GSH-22	325
GSH-23	325
GSH-24	325
GSH-25	325
GSH-27	323
GSH-28	323
GSH-29	321
GTS-1	305
HG008	77
HGI006	76
HGI006.002.01	76
HGI006.002.02	76
HGI006.002.03	76
HGI006.002.04	76
HGI006.002.09	76
HGI006.002.10	76
HGI006.002.12	76
HGI006.002.15	76
HGI006.002.16	76
HGI006.002.17	76
HGI006.002.18	76
HGI007	77
HKG-4	307
HKG-5	307
HKG-6	318
HKG-7	319
HKG-8	319
HKG-9	307
HKG-10	307
HKG-11	318
HKG-12	319
HKG-13	319
HKG-15	318
HKG-16	319
HKG-17	319
HKG-18	307
HKG-19	307
HKG-20	319
HKG-21	319
HKG-22	307
HKG-23	307
HKI-10	308
HKI-11	308
HKI-12	320
HKI-13	320
HKI-14	308
HKI-15	308
HKI-16	308
HKI-17	308
HKI-18	320
HKI-19	320
HKI-20	309
HKI-21	309
HKI-22	309
HKI-23	309
HKI-24	320
HKI-25	320
HKI-26	309
HKI-27	309
HKI-28	320
HKI-29	320
HKI-30	309

Артикул	№ страницы
HKI-31	309
HKI-32	320
HKI-33	320
HKI-34	310
HKI-35	310
HKI-36	310
HKI-37	310
HKI-38	320
HKI-39	320
HKI-40	310
HKI-41	310
HKI-42	320
HKI-43	320
HKI-48	311
HKI-49	311
HKI-50	311
HKI-51	311
HKI-52	311
HKI-53	311
HKI-54	312
HKI-55	312
HKI-56	312
HKI-57	312
HKI-58	312
HKI-59	312
HKI-60	312
HKI-61	312
HKI-62	313
HKI-63	313
HKI-64	320
HKI-65	320
HKI-66	313
HKI-67	313
HKI-68	313
HKI-69	313
HKI-70	320
HKI-71	320
HKI-72	314
HKI-73	314
HKI-74	314
HKI-75	314
HKI-76	320
HKI-77	320
HKI-78	314
HKI-79	314
HKI-80	320
HKI-81	320
HKI-82	314
HKI-83	314
HKI-84	320
HKI-85	320
HKI-86	315
HKI-87	315
HKI-88	315
HKI-89	315
HKI-90	320
HKI-91	320
HKI-92	315
HKI-93	315
HKI-94	320
HKI-95	320
HKI-100	320
HKI-101	320
HKI-102	320
HKI-103	320
HKI-104	320
HKI-105	320
HKI-106	320
HKI-107	320

Артикул	№ страницы	Артикул	№ страницы	Артикул	№ страницы
HKI-108.....	316	LPA-48.....	304	MW1.12-625.....	36
HKI-109.....	316	LPF-1.....	262	MW1.14-500.....	36
HKI-110.....	316	LPF-2.....	263	MW1.14-625.....	36
HKI-111.....	316	LPF-3.....	263	MW1.16-500.....	36
HKI-112.....	316	LPU-1.....	266	MW1.16-625.....	36
HKI-113.....	316	LPU-3.....	267	P19L.....	74
HKI-114.....	317	LPU-5.....	270	P19R.....	74
HKI-115.....	317	LPU-6.....	271	P1012.....	86
HKI-116.....	317	LPU-7.....	272	P1013.....	85
HKI-117.....	317	LPU-8.....	273	P-1502.....	85
HKI-118.....	317	LPU-15.....	266	PB-68L.....	195
HKI-119.....	317	LPU-17.....	267	PB-68R.....	195
HKU001.....	246	LPU-19.....	270	PB-100L.....	195
I0500.....	242	LPU-20.....	271	PB-100R.....	195
IB-67L.....	196	LPU-21.....	272	PC-4016.....	238
IB-67R.....	196	LPU-22.....	273	PED2016.....	130
IB-86.....	196	LPU-27.....	262	PED2017.....	130
IB-111.....	196	LPU-28.....	263	PED2018.....	131
IB-127.....	196	LPU-29.....	263	PED2019.....	131
IB-152.....	196	LPU-30.....	268	PED2020.....	131
IB-152-5/4.....	196	LPU-31.....	269	PED2025L.....	132
IH111.....	67	LPU-32.....	274	PED2025R.....	132
IH112.....	67	LPU-34.....	275	PR0503.....	245
IH113.....	66	LPU-35.....	276	PRD13.....	122
IH113.....	216	LPU-36.....	277	PRD19S.....	71
IH-114.....	67	LPU-37.....	278	PRD19S-6000.....	71
IP-95-3000.....	184	LPU-38.....	279	PRD40.....	54
IP-152-3000.....	184	LPU-39.....	280	PRD41.....	55
IS85-2550.....	142	LPU-40.....	268	PRD42.....	52
IS85-3060.....	142	LPU-41.....	269	PRD43.....	53
IS85-3550.....	142	LPU-42.....	274	PRD44.....	51
IS85-4100.....	142	LPU-44.....	275	PRD45.....	51
IS85-4580.....	142	LPU-45.....	276	PRD46.....	56
IS85-6000.....	142	LPU-46.....	277	PRD47.....	57
IS85-7000.....	142	LPU-47.....	278	PRD48.....	57
IS85-8000.....	142	LPU-48.....	279	PRD50.....	54
LH3004.....	171	LPU-49.....	280	PRD51.....	55
LPA-1.....	290	LS1016.....	88	PRD52.....	53
LPA-3.....	292	LS1016.....	219	PRD53.....	53
LPA-5.....	294	M3N.....	255	PRD54.....	51
LPA-6.....	295	M5x22SDX.....	257	PRD55.....	52
LPA-7.....	296	M6x12BKL.....	254	PRD56.....	56
LPA-8.....	297	M6x16BKL.....	254	PRD60.....	55
LPA-15.....	290	M6x16BP.....	253	PRD61.....	56
LPA-17.....	292	M6N.....	255	PRD62.....	54
LPA-19.....	294	M6N-SS.....	255	PRD63.....	52
LPA-20.....	295	M8x16BKL.....	254	PRD64.....	57
LPA-21.....	296	M8x25BKL.....	254	PRD70.....	110
LPA-22.....	297	M8N.....	255	PRD71.....	109
LPA-27.....	284	M10x25B.....	253	PRD71.....	109
LPA-28.....	285	M10x55SCOL.....	256	PRG01.....	139
LPA-29.....	286	M10x70B.....	253	PRG01LFL.....	140
LPA-30.....	291	M10x130B.....	254	PRG01LFR.....	140
LPA-31.....	293	M10N.....	255	PRG01LL.....	139
LPA-32.....	298	MS-550.....	158	PRG01LR.....	139
LPA-33.....	299	MS917.....	204	PRG02H.....	139
LPA-34.....	300	MW1.01-500.....	36	PRG02LL.....	138
LPA-35.....	301	MW1.01-625.....	36	PRG02LR.....	138
LPA-36.....	302	MW1.02-500.....	36	PRG02NL.....	137
LPA-37.....	303	MW1.02-625.....	36	PRG02NR.....	137
LPA-38.....	304	MW1.03-500.....	36	PRG02SL.....	224
LPA-40.....	291	MW1.03-625.....	36	PRG02SR.....	224
LPA-41.....	293	MW1.04-500.....	36	PRG03.....	144
LPA-42.....	298	MW1.04-625.....	36	PRG04.....	143
LPA-43.....	299	MW1.09-500.....	36	PRG04S.....	143
LPA-44.....	300	MW1.09-625.....	36	PRG04S.....	225
LPA-45.....	301	MW1.10-500.....	36	PRG05S.....	141
LPA-46.....	302	MW1.10-625.....	36	PRG05S.....	224
LPA-47.....	303	MW1.12-500.....	36	PRG06.....	168

БЫСТРЫЙ ПОИСК

Артикул	№ страницы	Артикул	№ страницы	Артикул	№ страницы
PRG07	150	RE101FR-10	146	RS0.05-625	38
PRG07N	149	RE101FR-15	146	RS0.06-500	38
PRG07NS	225	RE101FR-20	146	RS0.06-625	38
PRG09	168	RE101FR-25	146	RS0.07-500	38
PRG-11	70	RE101FR-30	146	RS0.07-625	38
PRG-11	218	RE101FR-35	146	RS1.01-500	37
PRG-12	121	RE101FR-40	146	RS1.01-625	37
PRG-13	121	RE101FR-45	146	RS1.02-500	37
PRG-14	69	RE101L	146	RS1.02-625	37
PRG-14	217	RE101R	146	RS1.03-500	37
PRG-15	69	RE701HL	145	RS1.03-625	37
PRG-15	217	RE701HR	145	RS1.04-500	37
PRG-16	123	RE801L	145	RS1.04-625	37
PRG-17	123	RE801R	145	RS1.09-500	37
PRG-19-4290	73	RE801SL	145	RS1.09-625	37
PRG-19-4950	73	RE801SL	226	RS1.10-500	37
PRG-19-5610	73	RE801SR	145	RS1.10-625	37
PRG-19-6600	73	RE801SR	226	RS1.12-500	37
PRG-20-4290	73	RK-4500	78	RS1.12-625	37
PRG-20-4950	73	RK-6000	78	RS1.14-500	37
PRG-20-5610	73	RL0.01-450	40	RS1.14-625	37
PRG-20-6600	73	RL0.01-500	40	RS1.16-500	37
PRG32H	138	RL0.05-450	40	RS1.16-625	37
PRG32LL	138	RL0.05-500	40	RS0301	171
PRG32LR	138	RL0.06-450	40	RSB09	111
PRG32NL	137	RL0.06-500	40	RSB10	75
PRG32NR	137	RL0.07-450	40	RSB10	218
PRP01	58	RL0.07-500	40	RSP16	47
R-130-11-G	68	RL0.14-450	40	RSP25	58
R-130-11-SS	68	RL0.14-500	40	RST01	75
R-130-12-G	68	RL0.16-450	40	RSW06	111
R-130-12-SS	68	RL0.16-500	40	S140LFL-5	148
R-205-12-G	68	RL1.01-450	40	S140LFL-10	148
R-205-12-SS	68	RL1.01-500	40	S140LFL-15	148
RBG100L	63	RL1.02-450	40	S140LFL-20	148
RBG100L-SS	63	RL1.02-500	40	S140LFL-25	148
RBG100R	63	RLG003	79	S140LFL-30	148
RBG100R-SS	63	RLG003.226.01	79	S140LFL-35	148
RBG700L	62	RLG003.226.02	79	S140LFL-40	148
RBG700L-SS	62	RLG003.226.03	79	S140LFL-45	148
RBG700R	62	RLG003.226.04	79	S140LFR-5	148
RBG700R-SS	62	RLG003.226.09	79	S140LFR-10	148
RBG900L	61	RLG003.226.10	79	S140LFR-15	148
RBG900L-SS	61	RLG003.226.12	79	S140LFR-20	148
RBG900R	61	RLG003.226.15	79	S140LFR-25	148
RBG900R-SS	61	RLG003.226.16	79	S140LFR-30	148
RBI-45.100L	64	RLG003.226.17	79	S140LFR-35	148
RBI-45.100R	64	RLG003.226.18	79	S140LFR-40	148
RBI-45.110DL	63	RLI0103	80	S140LFR-45	148
RBI-45.110DR	63	RM0.01-450	39	S140LL	148
RBI-45.120DL	64	RM0.01-500	39	S140LR	148
RBI-45.120DR	64	RM0.05-450	39	S-171L	151
RBI123	62	RM0.05-500	39	S-171R	151
RBI125	61	RM0.06-450	39	S-172L	151
RBI446L	63	RM0.06-500	39	S-172R	151
RBI446ML	64	RM0.07-450	39	S340NL	147
RBI446MR	64	RM0.07-500	39	S340NR	147
RBI446R	63	RM0.16-450	39	S0504	246
RC0505	246	RM0.16-500	39	S840NL	147
RE101FL-5	146	RM1.01-450	39	S840NR	147
RE101FL-10	146	RM1.01-500	39	S940LL	147
RE101FL-15	146	RM1.02-450	39	S940LR	147
RE101FL-20	146	RM1.02-500	39	S940SL	147
RE101FL-25	146	RM0104-4500	78	S940SR	226
RE101FL-30	146	RP112	65	S940SR	226
RE101FL-35	146	RP113	65	SA-5/4	177
RE101FL-40	146	RP121	66	SB0100	78
RE101FL-45	146	RP122	66	SB0101S	219
RE101FR-5	146	RS0.05-500	38		

Артикул	№ страницы
SB212S.....	235
SB-235.....	169
SB-485.....	169
SBD-1L.....	185
SBD-1R.....	185
SBD-51L.....	185
SBD-51R.....	185
SBD-67L.....	185
SBD-67R.....	185
SBD-TSS5/4L.....	185
SBD-TSS5/4R.....	185
SCG-1.....	206
SCI-1.....	206
SCI-5/4.....	206
SF-51.....	183
SF-67.....	183
SF-95.....	183
SF-152.....	184
SF-152-5/4.....	184
SH220S.....	235
SKH-38.....	205
SKH-75.....	205
SKS-38.....	205
SKS-75.....	205
SP203S.....	234
SS-40.100.....	244
SS0206.....	126
SS0402.....	243
SS446L.....	244
SS446R.....	244
T-100-6000.....	155
TB004.....	164
TB006.....	167
TB007.....	167
TB191S-300.....	163
TB191S-300.....	229
TB191S-500.....	163
TB191S-500.....	229
TB191S-800.....	163
TB191S-800.....	229
TB191S-1000.....	163
TB191S-1000.....	229
TB192S.....	164
TB192S.....	229
TB193S-330.....	163
TB193S-330.....	229
TB193S-680.....	163
TB193S-680.....	229
TB193S-910.....	163
TB193S-910.....	229
TB603.....	165
TB604.....	166
TB607-300.....	165
TB607-500.....	165
TB607-800.....	165
TB607-1000.....	165
TB607-1500.....	165
TBG815.....	202
TBG916.....	204
TBI510L.....	201
TBI510R.....	201
TBI520L.....	201
TBI520R.....	201
TBI530L.....	201
TBI530R.....	201
TBI540L.....	201
TBI540R.....	201
TBI550L.....	201
TBI550R.....	201
TBI560L.....	201

Артикул	№ страницы
TBI560R.....	201
TBI570L.....	201
TBI570R.....	201
TBI580L.....	201
TBI580R.....	201
TBI590L.....	201
TBI590R.....	201
TBI915.....	203
TBI922.....	166
TBI923.....	166
TBI924.....	167
TBI925.....	203
TKU-1.....	305
TKU-2.....	305
TKU-3.....	305
TKU-4.....	305
TKU-5.....	305
TKU-6.....	305
TKU-7.....	305
TKU-8.....	305
TKU-9.....	305
TKU-11.....	305
TKU-13.....	306
TKU-21.....	306
TKU-22.....	306
TKU-23.....	306
TKU-24.....	306
TKU-25.....	306
TKU-26.....	306
TKU-27.....	306
TKU-28.....	306
TKU-29.....	306
TKU-30.....	306
TKU-31.....	306
TKU-32.....	306
TN28x25BRx1150L.....	237
TN30x25WHx1075L.....	237
TN32x25YLx1120L.....	237
TN32x25YLx1400L.....	237
TN32x33GRx1050R.....	237
TN34x25RDx1400L.....	237
TN34x33BLx1375R.....	237
TN36x33ORx850R.....	237
TN36x33ORx1100R.....	237
TN38x33PNx1000R.....	237
TN40x33GNx1100R.....	237
TN42x33BKx1250R.....	237
TN45x33VTx1510R.....	237
TP-550.....	158
TSA42,5x51x900L.....	179
TSA42,5x51x900R.....	179
TSA45x51x1100L.....	179
TSA45x51x1100R.....	179
TSA47,5x51x1250L.....	179
TSA47,5x51x1250R.....	179
TSA50x51x1350L.....	179
TSA50x51x1350R.....	179
TSA52,5x51x1100L.....	179
TSA52,5x51x1100R.....	179
TSA52,5x51x1400L.....	179
TSA52,5x51x1400R.....	179
TSA55x51x1400L.....	179
TSA55x51x1400R.....	179
TSA55x67x1200L.....	180
TSA55x67x1200R.....	180
TSA57,5x51x1600L.....	179
TSA57,5x51x1600R.....	179
TSA57,5x67x1400L.....	180
TSA57,5x67x1400R.....	180
TSA60x51x1700L.....	179

Артикул	№ страницы
TSA60x51x1700R.....	179
TSA60x67x1500L.....	180
TSA60x67x1500R.....	180
TSA62,5x51x1800L.....	179
TSA62,5x51x1800R.....	179
TSA62,5x67x1700L.....	180
TSA62,5x67x1700R.....	180
TSA65x51x1900L.....	179
TSA65x51x1900R.....	179
TSA65x67x1800L.....	180
TSA65x67x1800R.....	180
TSA65x95x1500L.....	181
TSA65x95x1500R.....	181
TSA70x51x1400L.....	179
TSA70x51x1400R.....	179
TSA70x51x2000L.....	179
TSA70x51x2000R.....	179
TSA70x67x2050L.....	180
TSA70x67x2050R.....	180
TSA70x95x1150L.....	181
TSA70x95x1150R.....	181
TSA70x95x1650L.....	181
TSA70x95x1650R.....	181
TSA75x67x2200L.....	180
TSA75x67x2200R.....	180
TSA75x95x1300L.....	181
TSA75x95x1300R.....	181
TSA75x95x1750L.....	181
TSA75x95x1750R.....	181
TSA75x152x1300L.....	182
TSA75x152x1300R.....	182
TSA80x95x1500L.....	181
TSA80x95x1500R.....	181
TSA80x95x2100L.....	181
TSA80x95x2100R.....	181
TSA80x152x1500L.....	182
TSA80x152x1500R.....	182
TSA85x95x1250L.....	181
TSA85x95x1250R.....	181
TSA85x95x1600L.....	181
TSA85x95x1600R.....	181
TSA85x152x1250L.....	182
TSA85x152x1250R.....	182
TSA85x152x1750L.....	182
TSA85x152x1750R.....	182
TSA90x95x1400L.....	181
TSA90x95x1400R.....	181
TSA90x95x1500L.....	181
TSA90x95x1500R.....	181
TSA90x95x1800L.....	181
TSA90x95x1800R.....	181
TSA90x152x2200L.....	182
TSA90x152x2200R.....	182
TSA95x95x1600L.....	181
TSA95x95x1600R.....	181
TSA95x95x1750L.....	181
TSA95x95x1750R.....	181
TSA95x152x1300L.....	182
TSA95x152x1300R.....	182
TSA95x152x2250L.....	182
TSA95x152x2250R.....	182
TSA100x152x1400L.....	182
TSA100x152x1400R.....	182
TSA100x152x2450L.....	182
TSA100x152x2450R.....	182
TSA105x152x1400L.....	182
TSA105x152x1400R.....	182
TSA105x152x1650L.....	182
TSA105x152x1650R.....	182
TSA110x152x1550L.....	182

Артикул	№ страницы	Артикул	№ страницы	Артикул	№ страницы
WD-163R.302	108	WD260RA.202	96	WD404L.001	116
WD-163R.302	108	WD260RA.202	96	WD404L.001	116
WD250L.101	107	WD260RA.302	106	WD404L.101	105
WD250L.101	107	WD260RA.302	106	WD404L.101	105
WD250L.201	97	WD350L.202	96	WD404L.201	95
WD250L.201	97	WD350L.202	96	WD404L.201	95
WD250L.202	96	WD350L.302	106	WD404L.202	95
WD250L.202	96	WD350L.302	106	WD404L.202	95
WD250L.302	106	WD350R.202	96	WD404L.302	105
WD250L.302	106	WD350R.202	96	WD404L.302	105
WD250LA.202	96	WD350R.302	106	WD404R.001	116
WD250LA.202	96	WD350R.302	106	WD404R.001	116
WD250LA.302	106	WD360L.202	96	WD404R.101	105
WD250LA.302	106	WD360L.202	96	WD404R.101	105
WD250R.001	117	WD360L.302	106	WD404R.201	95
WD250R.001	117	WD360L.302	106	WD404R.201	95
WD250R.101	107	WD360R.202	96	WD404R.202	95
WD250R.101	107	WD360R.202	96	WD404R.202	95
WD250R.201	97	WD360R.302	106	WD404R.302	105
WD250R.201	97	WD360R.302	106	WD404R.302	105
WD250R.202	96	WD403L.001	116	WD2011	102
WD250R.202	96	WD403L.001	116	WD2013	115
WD250R.302	106	WD403L.101	105	WD2014	115
WD250R.302	106	WD403L.101	105	WD2028	114
WD250RA.202	96	WD403L.103	105	WD2031	102
WD250RA.202	96	WD403L.103	105	WD2033	110
WD250RA.302	106	WD403L.201	95	WD2034L-BK	110
WD250RA.302	106	WD403L.201	95	WD2034L-BR	110
WD260L.101	107	WD403L.202	95	WD2034L-GR	110
WD260L.101	107	WD403L.202	95	WD2034R-BK	110
WD260L.201	97	WD403L.203	95	WD2034R-BR	110
WD260L.201	97	WD403L.203	95	WD2034R-GR	110
WD260L.202	96	WD403L.302	105	WH011	119
WD260L.202	96	WD403L.302	105	WH013	119
WD260L.302	106	WD403R.001	116	WL32	113
WD260L.302	106	WD403R.001	116	WL0200	127
WD260LA.202	96	WD403R.101	105	WL0202	129
WD260LA.202	96	WD403R.101	105	WL2012	127
WD260LA.302	106	WD403R.103	105	WL2021-BR	128
WD260LA.302	106	WD403R.103	105	WL2021-SL	128
WD260R.001	117	WD403R.108	126	WL2022-BR	128
WD260R.001	117	WD403R.108	126	WL2022-SL	128
WD260R.101	107	WD403R.201	95	B802	162
WD260R.101	107	WD403R.201	95	M3×25S	256
WD260R.201	97	WD403R.202	95	M6×12BP	253
WD260R.201	97	WD403R.202	95	M8×12B	253
WD260R.202	96	WD403R.203	95	CB132-450	152
WD260R.202	96	WD403R.203	95	CB132-500	152
WD260R.302	106	WD403R.302	105		
WD260R.302	106	WD403R.302	105		

**«АЛЮТЕХ ВОРОТНЫЕ СИСТЕМЫ» —
ПРЕДПРИЯТИЕ ГРУППЫ КОМПАНИЙ «АЛЮТЕХ»**

ГРУППА КОМПАНИЙ «АЛЮТЕХ»

Группа компаний «АЛЮТЕХ» объединяет 6 производственных предприятий и более 25 сбытовых подразделений, расположенных на территории Восточной и Западной Европы, а также СНГ.

ВЫПУСКАЕМАЯ ПРОДУКЦИЯ

- сэндвич-панели для секционных ворот;
- алюминиевые экструдированные профили для секционных ворот и роллетных систем;
- стальные направляющие профили, кронштейны, соединительные пластины и другие комплектующие для секционных ворот;
- алюминиевые профильные системы для строительства;
- алюминиевые и стальные профили роликовой прокатки, комплектующие и аксессуары для роллетных систем;
- оконные отливы и сопутствующие элементы;
- гаражные и промышленные секционные ворота;
- боковые двери;
- въездные ворота (распашные и откатные ворота, калитки).

«АЛЮТЕХ ВОРОТНЫЕ СИСТЕМЫ»

Современное высокоэффективное промышленное предприятие, входящее в Группу компаний «АЛЮТЕХ». Площадь производственных помещений — более 50 000 м².



«Алютех Воротные Системы» занимается производством:

- сэндвич-панелей для секционных ворот;
- стальных направляющих профилей, радиусных элементов, кронштейнов, соединительных пластин и других комплектующих для секционных ворот;
- гаражных, промышленных и панорамных секционных ворот;
- боковых дверей;
- въездных ворот (распашных и откатных, калиток).

Завод «Алютех Воротные Системы» ориентирован на производство секционных гаражных и промышленных ворот для рынков Восточной и Западной Европы, а также СНГ.

Собственное производство секционных ворот дает возможность адекватно оценивать качество производимой воротной комплектации и быстро реагировать на запросы рынка.

Передовые технологии и квалифицированный персонал обеспечивают производство высококонкурентной продукции. На предприятии осуществляется мониторинг процессов на всех стадиях жизненного цикла продукции, начиная от проектирования до поставки готовой продукции клиентам. Проводится контроль качества закупаемых для производства сырья и комплектующих, операционный контроль в процессе изготовления, контроль качества готовой продукции, условий ее хранения.

Для изготовления секционных ворот используется сырье лучших европейских поставщиков, применяются самые современные технологии и новейшее оборудование.

Предприятие «Алютех Воротные Системы» прошло сертификационный аудит по новому стандарту ISO 9001: 2008 года, что подтверждено сертификатом TUV Rheinland InterCert № 75 10070322.



АВТОМАТИЧЕСКИЕ ЛИНИИ ПО ПРОИЗВОДСТВУ СЭНДВИЧ-ПАНЕЛЕЙ РАЗЛИЧНЫХ ТИПОВ

Завод оснащен двумя современными высокопроизводительными линиями ведущих мировых производителей оборудования для изготовления сэндвич-панелей с пенополиуретановым наполнением. Предприятие производит более 450 видов сэндвич-панелей толщиной 45 мм и 40 мм, которые используются при производстве секционных ворот различных типов, калиток в фасаде и ворот серии ADS400.

В производстве используются экологически чистые сырье и материалы. Все вещества, применяемые для изготовления пенополиуретанового утеплителя, соответствуют требованиям соглашений Монреальского протокола 1987 года по веществам, разрушающим озоновый слой. Изготовление ворот из сэндвич-панелей гарантирует надежность и отличную теплоизоляцию.



ПРОИЗВОДСТВО СТАЛЬНЫХ ПРОФИЛЕЙ И КОМПЛЕКТУЮЩИХ

Применение специальной оснастки и постоянный контроль на всех стадиях производства деталей позволяет производить комплектующие для секционных ворот высокого качества. Сочетание универсального оборудования для обработки давлением с применением специальной оснастки обеспечивает высокую гибкость производства.

Для изготовления особо точных деталей применяются высокоточные станки с числовым программным управлением. В настоящее время «Алютех Воротные системы» выпускает более сотни наименований стальных профилей, необходимых для изготовления ворот.

Высокотехнологичная автоматизированная линия позволяет производить профили с высокой точностью выполняемых размеров и без повреждений цинкового покрытия. На предприятии внедрена современная система контроля геометрии и качества профиля в процессе производства.



Специальная оснастка и постоянный контроль на всех стадиях производства позволяют изготавливать комплектующие неизменно высокого качества. Универсальное оборудование для обработки давлением в сочетании со специальной оснасткой обеспечивают высокую гибкость производства. Благодаря этому внедрение новейших разработок осуществляется в максимально короткие сроки. Для изготовления особо выверенных деталей применяются высокоточные станки с числовым программным управлением.



ПРОИЗВОДСТВО ЭКСТРУДИРОВАННЫХ АЛЮМИНИЕВЫХ ПРОФИЛЕЙ ДЛЯ СЕКЦИОННЫХ ВОРОТ

Производство экструдированных алюминиевых профилей для секционных ворот, их последующая окраска и анодирование осуществляются на «АлюминТехно». Предприятие оснащено оборудованием ведущих производителей США, Германии, Италии, Великобритании, Канады и др.

На заводе реализован полный цикл производства от плавки первичного алюминия до выпуска прессованных профилей и их окраски. Главные составляющие производства — современный литейный комплекс, высокотехнологичная прессовая линия и передовое покрасочное производство. Производство по окраске и анодированию профилей соответствует требованиям международного стандарта Qualicoat и Qualanod, что подтверждено соответствующими сертификатами.



Алюминиевые профили, производимые на «АлюминТехно», используются для:

- производства панорамных панелей;
- обрамления полотна калиток и секционных ворот.



АВТОМАТИЗИРОВАННАЯ ЛИНИЯ ПО ИЗГОТОВЛЕНИЮ И СБОРКЕ ВОРОТ

Для автоматизации изготовления и сборки ворот запущен производственный комплекс, в состав которого входит следующее оборудование: автоматический склад для хранения сэндвич-панелей (DimaSimma, Италия); автоматическая линия по изготовлению воротного полотна (Kraft, Германия).

Производственный комплекс обеспечивает полный замкнутый цикл технологического процесса производства ворот, включающий:

- автоматическую сортировку и хранение сэндвич-панелей;
- изготовление и сборку воротного полотна нужного типоразмера;
- автоматизацию процесса производства, при этом ручные операции будут сведены к минимуму;
- оптимальный график загрузки производства, что особенно важно в пик сезона.



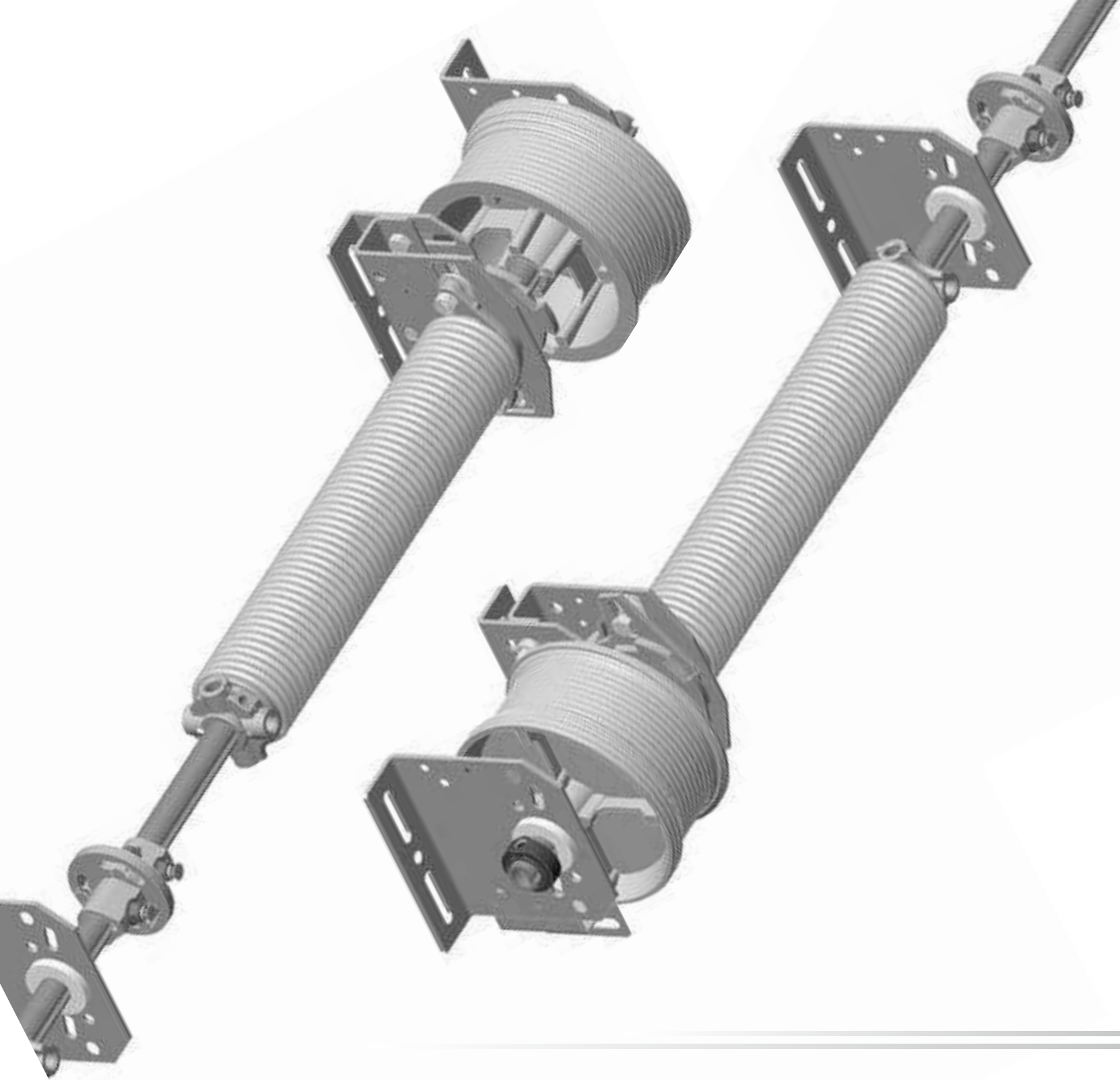
«Алютех Воротные системы» производит следующие виды секционных ворот:

- гаражные секционные ворота с торсионным валом и пружинами растяжения;
- промышленные секционные ворота (10 видов);
- алюминиевые панорамные секционные ворота.

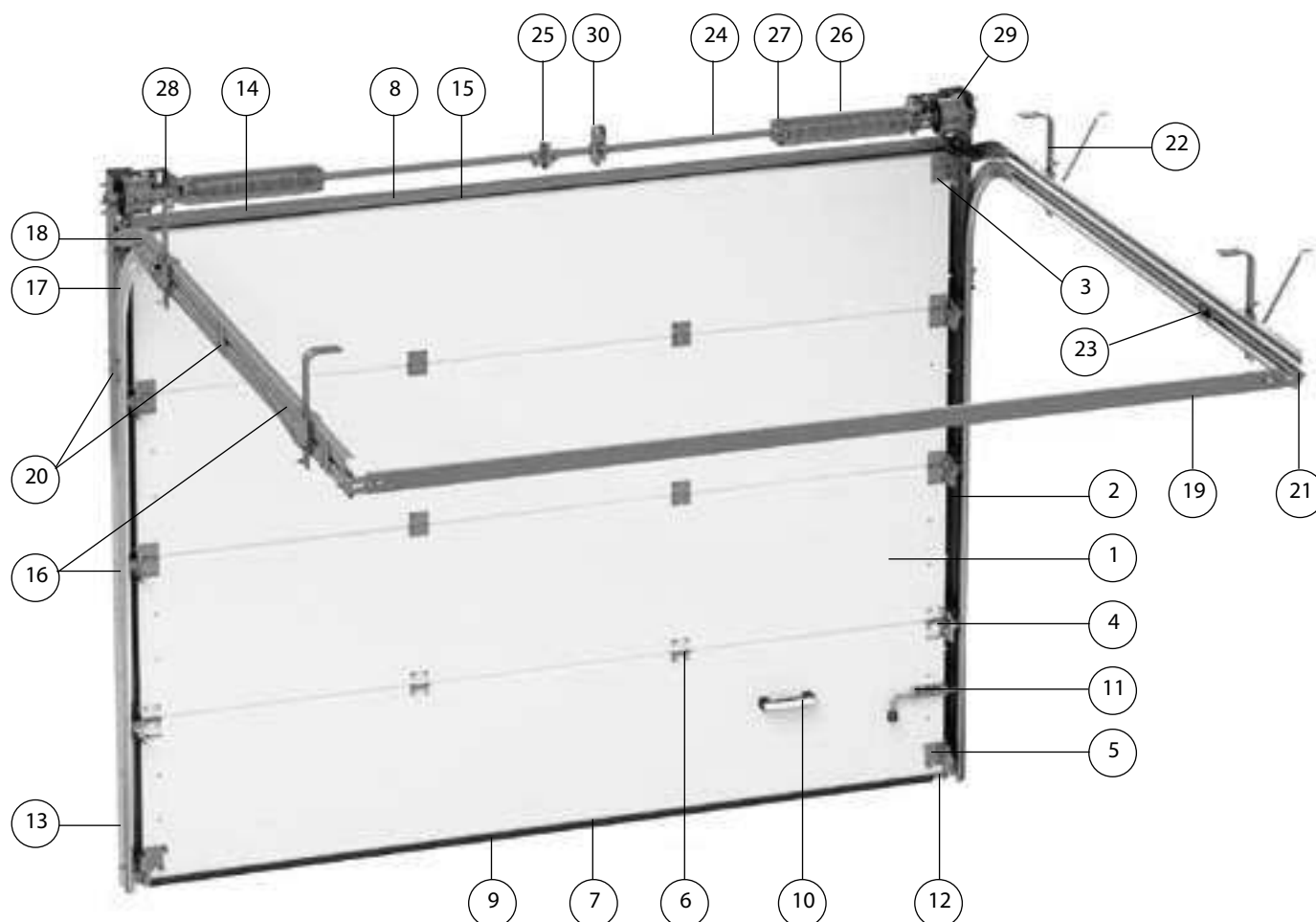
Качество и безопасность секционных ворот соответствуют требованиям европейских стандартов EN и подтверждены сертификатом CE.

СЕРТИФИКАТЫ





**СЕКЦИОННЫЕ ВОРОТА
С ТОРСИОННЫМ ВАЛОМ**

КОНСТРУКЦИЯ ГАРАЖНЫХ СЕКЦИОННЫХ ВОРОТ СЕРИИ CLASSIC СТАНДАРТНОГО ТИПА МОНТАЖА


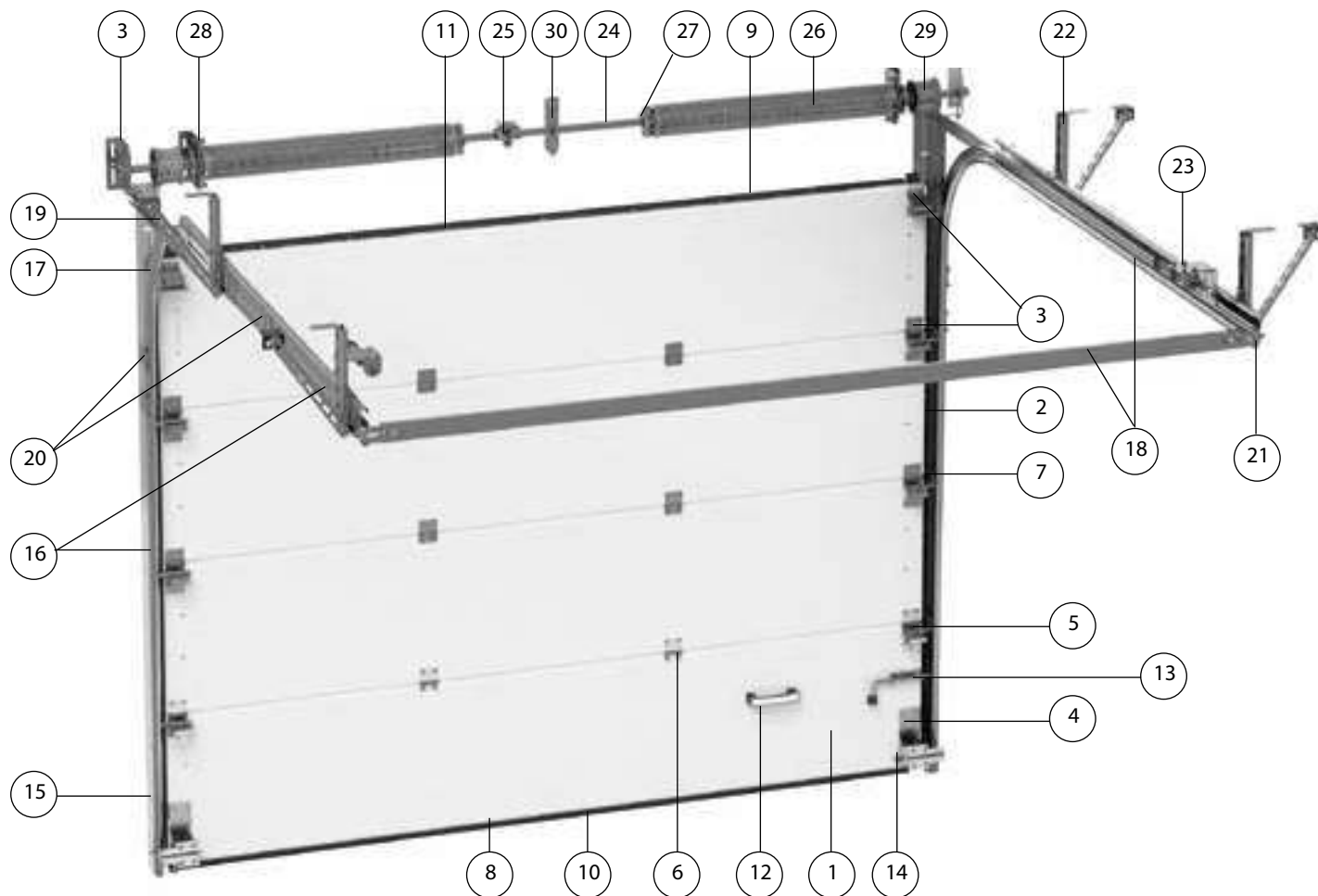
Секционные ворота «АЛЮТЕХ» соответствуют требованиям Европейских стандартов безопасности EN 12604 и EN 12453.

№	Наименование
Полотно ворот	
1	Сэндвич-панель
2	Накладка боковая
3	Кронштейн верхний
4	Кронштейн боковой
5	Кронштейн нижний
6	Петля промежуточная
7	Профиль концевой (нижний)
8	Профиль концевой (верхний)
9	Вставка уплотнительная (нижняя)
10	Ручка
11	Засов
12	Упор нижний
Системы направляющих и подвеса	
13	Профиль угловой
14	Профиль передний (нащельник)
15	Вставка уплотнительная

№	Наименование
Системы направляющих и подвеса	
16	Профиль направляющий
17	Элемент радиусный
18	Узел направляющий передний
19	C-профиль
20	Пластины соединительные
21	Кронштейн мерной планки
22	Телескопический подвес
23	Ограничитель
Торсионный вал	
24	Вал
25	Муфта соединительная
26	Пружина
27	Наконечник пружинный
28	Муфта предохранительная храповая
29	Барaban
30	Кронштейн промежуточный

КОНСТРУКЦИЯ СЕКЦИОННЫХ ВОРОТ С ТОРСИОННЫМ ВАЛОМ

КОНСТРУКЦИЯ ПРОМЫШЛЕННЫХ ВОРОТ СЕРИИ PROPLUS СТАНДАРТНОГО ТИПА МОНТАЖА

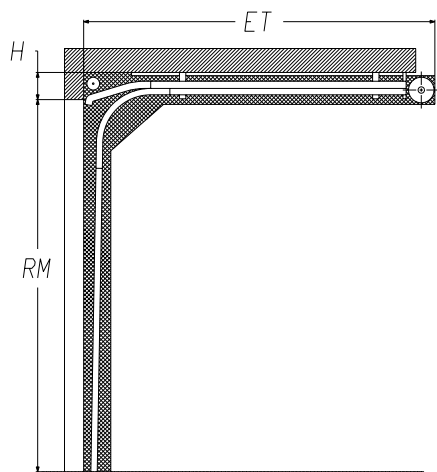


Секционные ворота АЛЮТЕХ соответствуют требованиям Европейских стандартов безопасности EN 12604 и EN 12453.

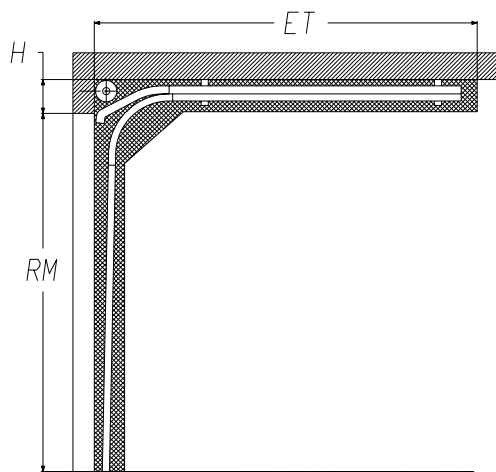
№	Наименование
Полотно ворот	
1	Сэндвич-панель
2	Накладка боковая
3	Кронштейн боковой
4	Кронштейн нижний
5	Накладка роликовая
6	Петля промежуточная
7	Ролик ходовой
8	Профиль концевой (нижний)
9	Профиль концевой (верхний)
10	Вставка уплотнительная (нижняя)
11	Вставка уплотнительная (верхняя)
12	Ручка
13	Засов
14	Упор нижний
Системы направляющих и подвеса	
15	Профиль угловой

№	Наименование
16	Профиль направляющий
17	Элемент радиусный
18	С-профиль
19	Узел передний
20	Пластины соединительные
21	Кронштейн мерной планки
22	Телескопический подвес
23	Демпфер
Торсионный вал	
24	Вал
25	Муфта соединительная
26	Пружина
27	Наконечник пружинный
28	Муфта предохранительная храповая
29	Барaban
30	Кронштейн промежуточный
31	Кронштейн боковой

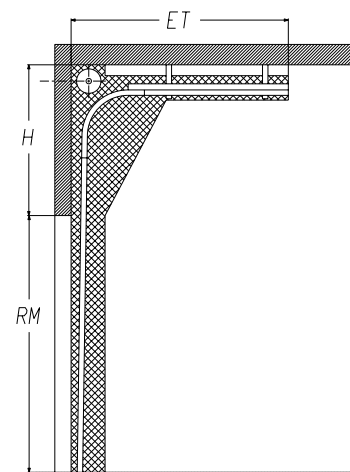
ТИПЫ МОНТАЖА ГАРАЖНЫХ СЕКЦИОННЫХ ВОРОТ СЕРИИ CLASSIC С ТОРСИОННЫМ ВАЛОМ



Низкий тип монтажа



Стандартный тип монтажа



Высокий тип монтажа

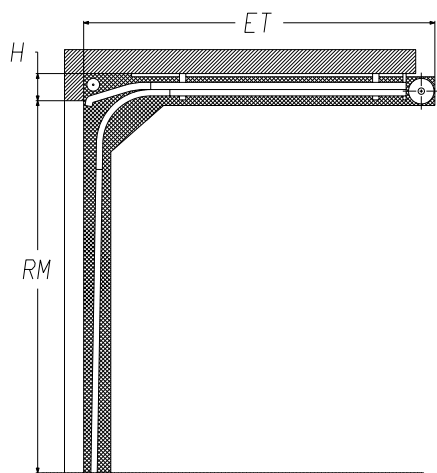
H — высота перемычки, мм

RM — высота проема, мм

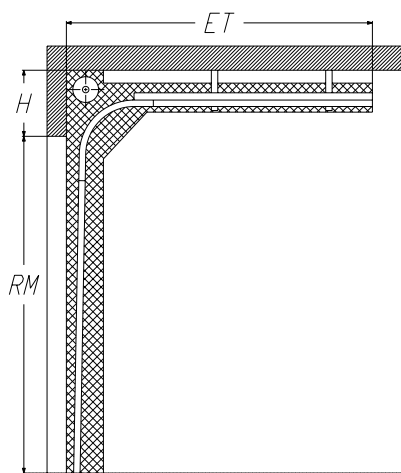
ET — глубина входа ворот внутрь помещения, мм

Тип монтажа	Минимальная высота перемычки (H), мм
Низкий монтаж	100
Стандартный монтаж	210
Высокий монтаж с верхним расположением вала	900

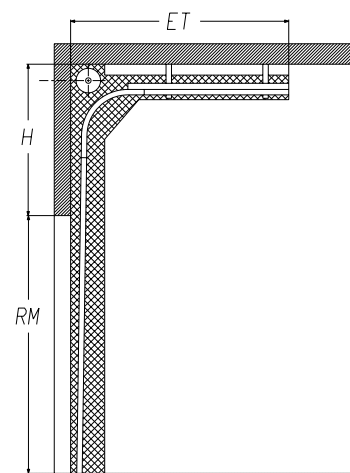
ТИПЫ МОНТАЖА ПРОМЫШЛЕННЫХ СЕКЦИОННЫХ ВОРОТ СЕРИИ PROPLUS С ТОРСИОННЫМ ВАЛОМ
ОДНОВАЛЬНАЯ СИСТЕМА БАЛАНСИРОВКИ ПОЛОТНА



Низкий тип монтажа



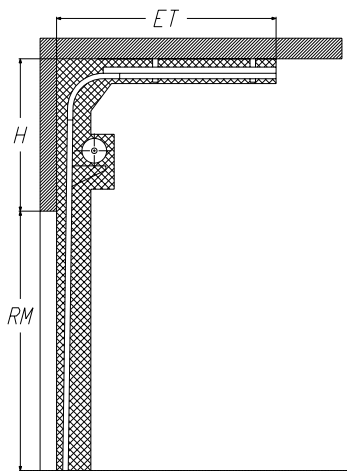
Стандартный тип монтажа



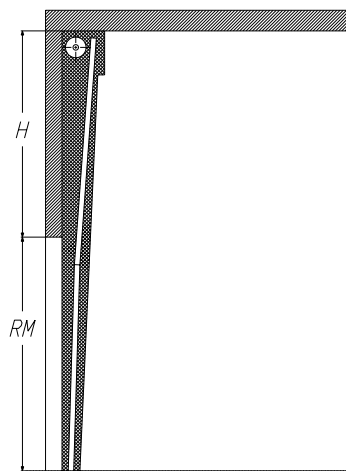
Высокий тип монтажа
с верхним расположением вала

КОНСТРУКЦИЯ СЕКЦИОННЫХ ВОРОТ С ТОРСИОННЫМ ВАЛОМ

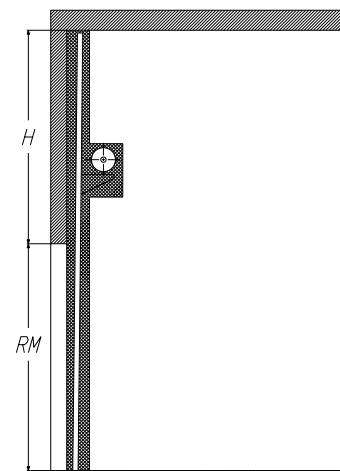
3



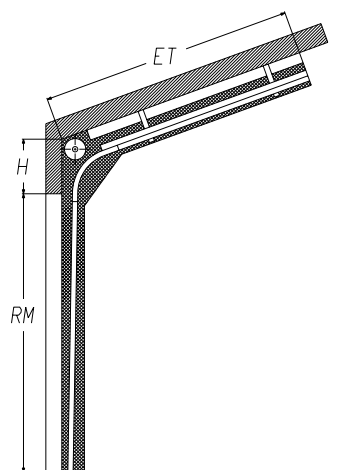
Высокий тип монтажа с нижним расположением вала



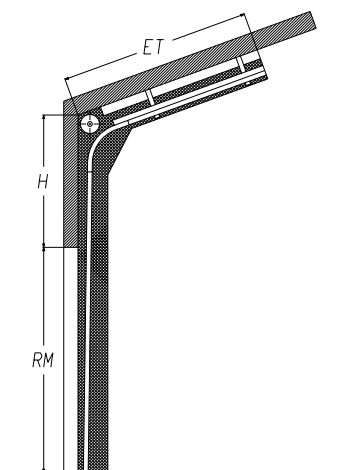
Вертикальный тип монтажа с верхним расположением вала



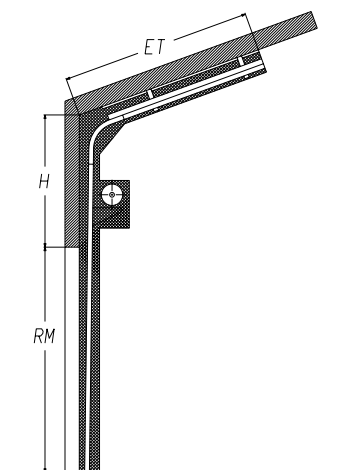
Вертикальный тип монтажа с нижним расположением вала



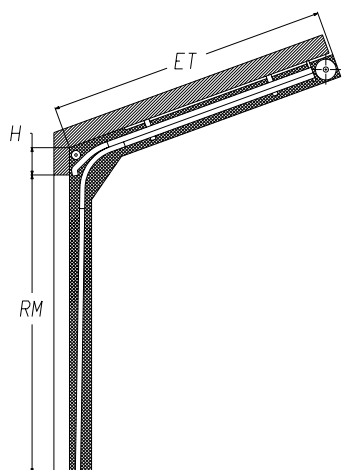
Наклонный тип монтажа



Наклонный высокий тип монтажа с верхним расположением вала



Наклонный высокий тип монтажа с нижним расположением вала

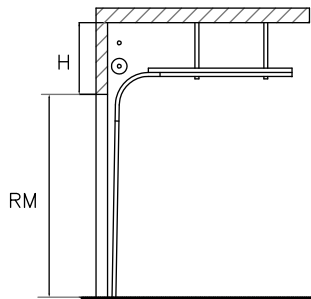


Наклонный низкий тип монтажа

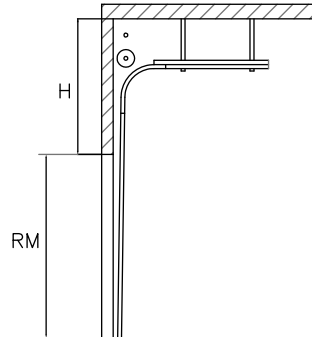
H — высота перемычки, мм
RM — высота проема, мм
ET — глубина входа ворот внутрь помещения, мм

Тип монтажа	Минимальная высота перемычки (H), мм
Низкий монтаж	230
Стандартный монтаж	410
Высокий монтаж с верхним расположением вала	900
Высокий монтаж с нижним расположением вала	1795
Вертикальный монтаж с верхним расположением вала	RM+340
Вертикальный монтаж с нижним расположением вала	RM+340
Наклонный монтаж	490
Наклонный высокий монтаж с верхним расположением вала	900
Наклонный высокий монтаж с нижним расположением вала	1795
Наклонный низкий монтаж	275

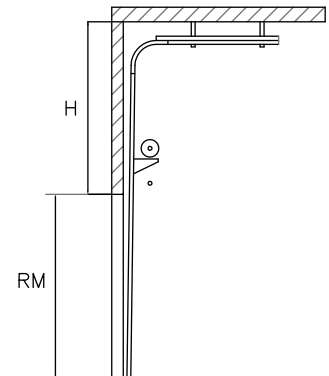
ТИПЫ МОНТАЖА ПРОМЫШЛЕННЫХ СЕКЦИОННЫХ ВОРОТ СЕРИИ PROPLUS С ТОРСИОННЫМ ВАЛОМ
ДВУХВАЛЬНАЯ СИСТЕМА БАЛАНСИРОВКИ ПОЛОТНА ВОРОТ



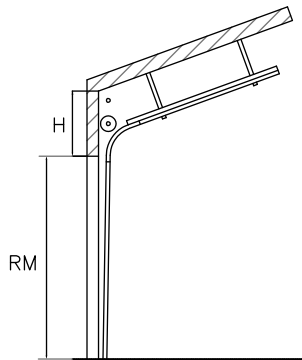
Стандартный тип монтажа



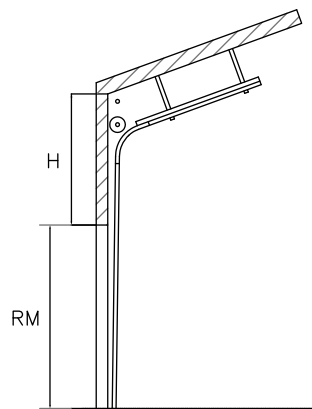
Высокий тип монтажа
с верхним расположением валов



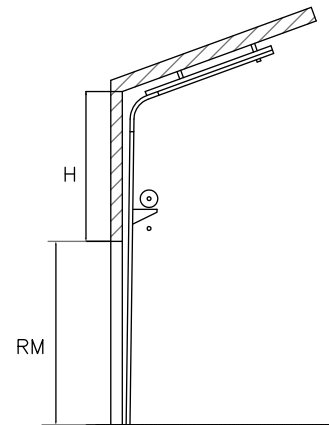
Высокий тип монтажа
с нижним расположением валов



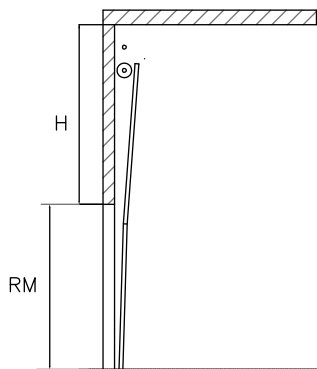
Наклонный тип монтажа



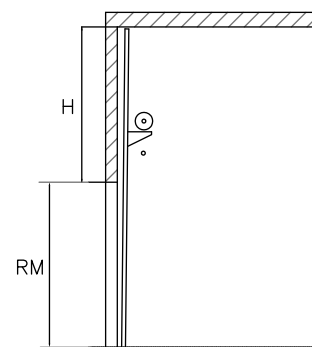
Наклонный высокий тип монтажа
с верхним расположением валов



Наклонный высокий тип монтажа
с нижним расположением валов



Вертикальный тип монтажа
с верхним расположением валов



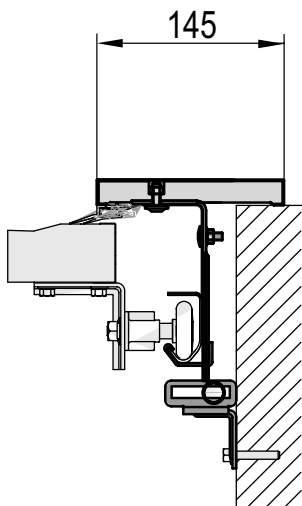
Вертикальный тип монтажа
с нижним расположением валов

H — высота перемычки, мм
RM — высота проема, мм

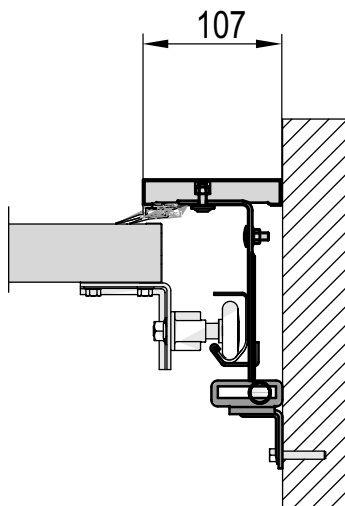
Тип монтажа	Минимальная высота перемычки (H), мм
Стандартный тип монтажа	840
Высокий тип монтажа с верхним расположением валов	1275
Высокий тип монтажа с нижним расположением валов	2100
Наклонный тип монтажа	920
Наклонный высокий тип монтажа с верхним расположением валов	1275
Наклонный высокий тип монтажа с нижним расположением валов	2100
Вертикальный тип монтажа с верхним расположением валов	RM+590
Вертикальный тип монтажа с нижним расположением валов	RM+340

КОНСТРУКЦИЯ СЕКЦИОННЫХ ВОРОТ С ТОРСИОННЫМ ВАЛОМ

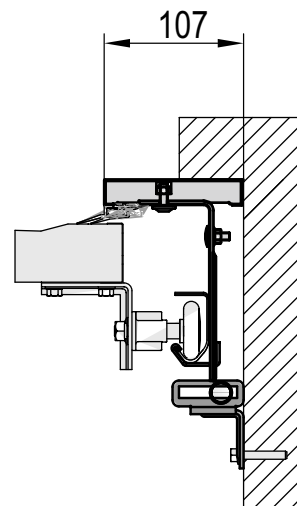
ВСТРОЕННЫЙ МОНТАЖ ГАРАЖНЫХ ВОРОТ СЕРИИ CLASSIC НИЗКОГО ТИПА МОНТАЖА



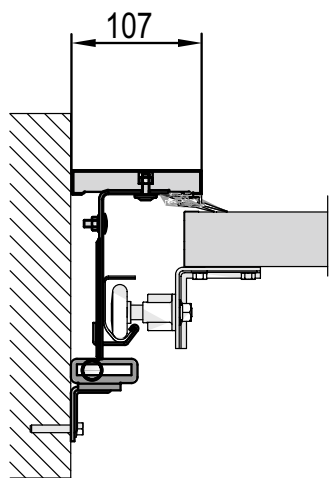
Монтаж перед проемом
Комплект FWO145



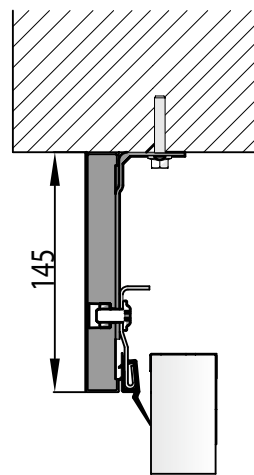
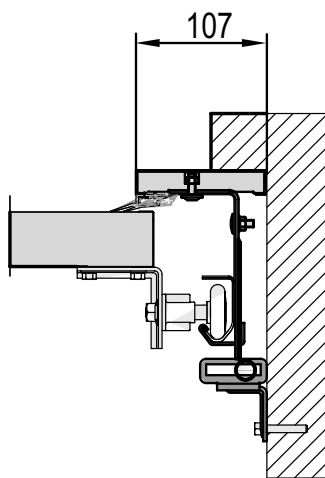
Монтаж в проем
Комплект FWO100



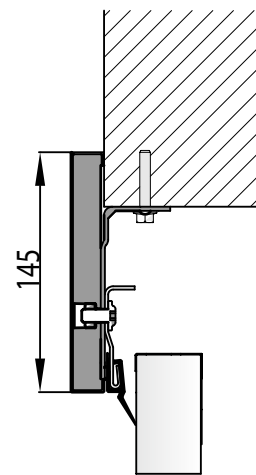
Монтаж за проемом
Комплект FWO100



Комбинированный монтаж
Комплект FWO145



**Установка
декоративного нащельника**



Размеры боковых заплечиков и верхней перемычки:

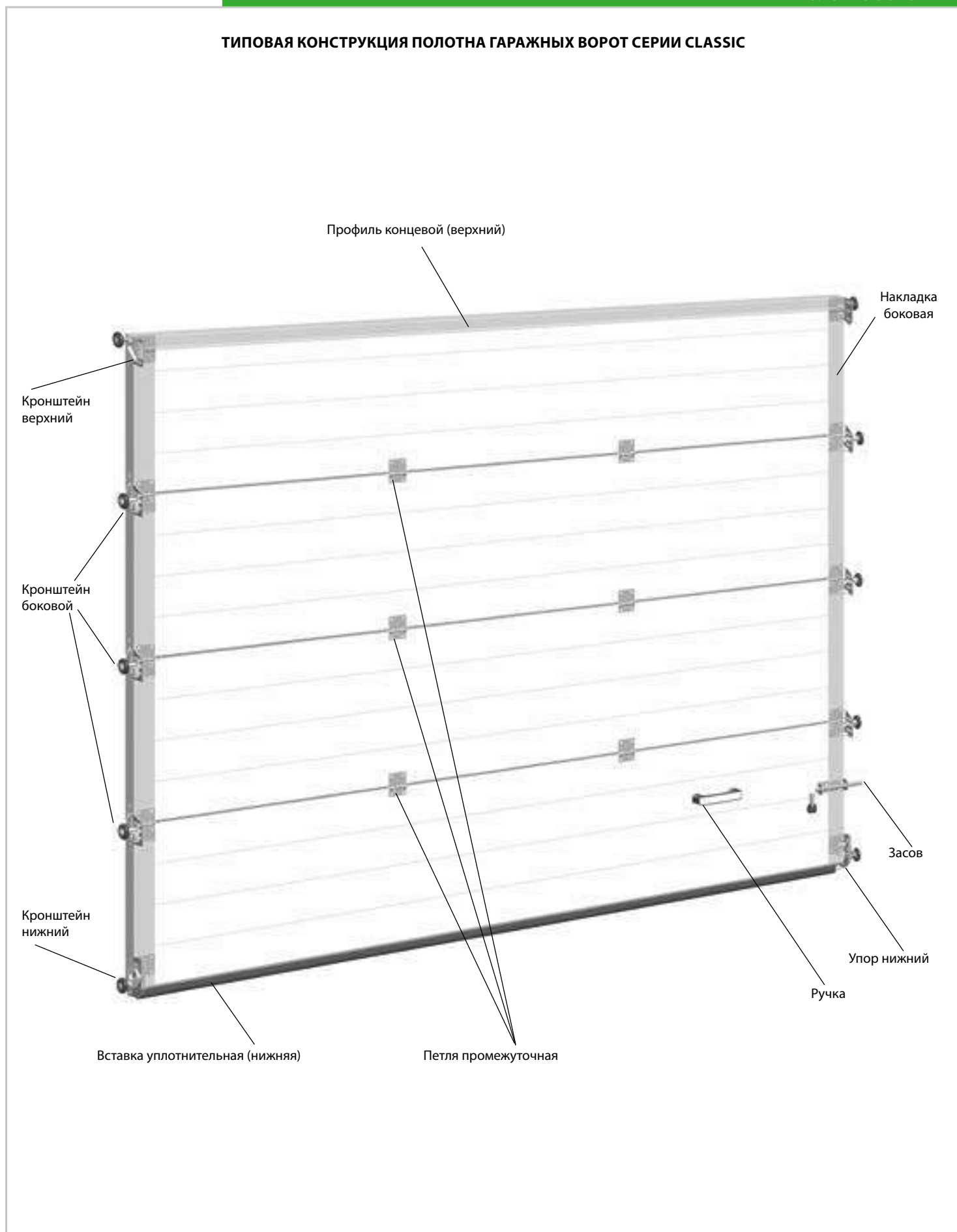
Боковые заплечики	0 - 125 мм
Верхняя перемычка	0 - 145 мм



ПОЛОТНО ВОРОТ

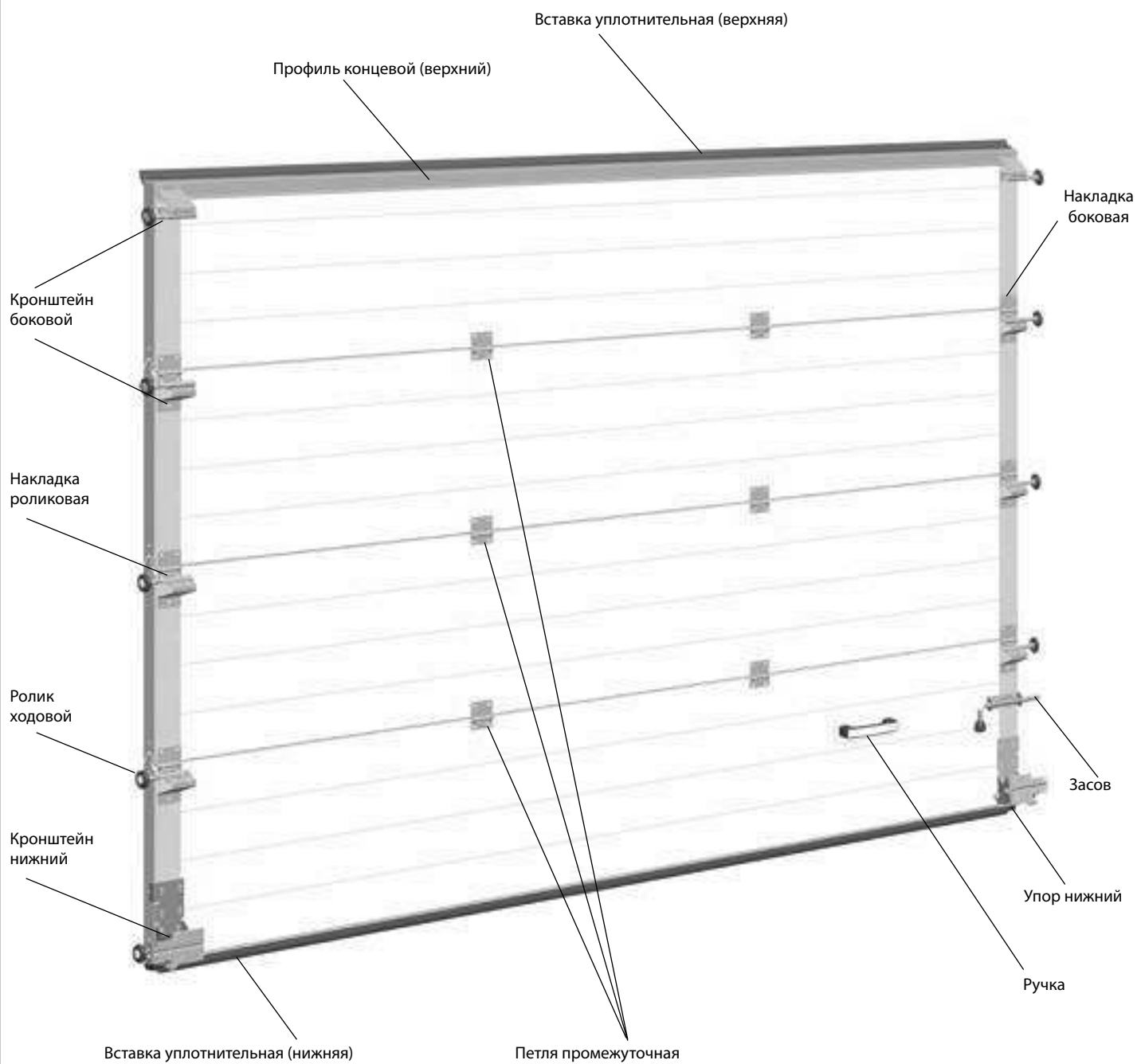
ТИПОВАЯ КОНСТРУКЦИЯ ПОЛОТНА ГАРАЖНЫХ ВОРОТ СЕРИИ CLASSIC

3.1



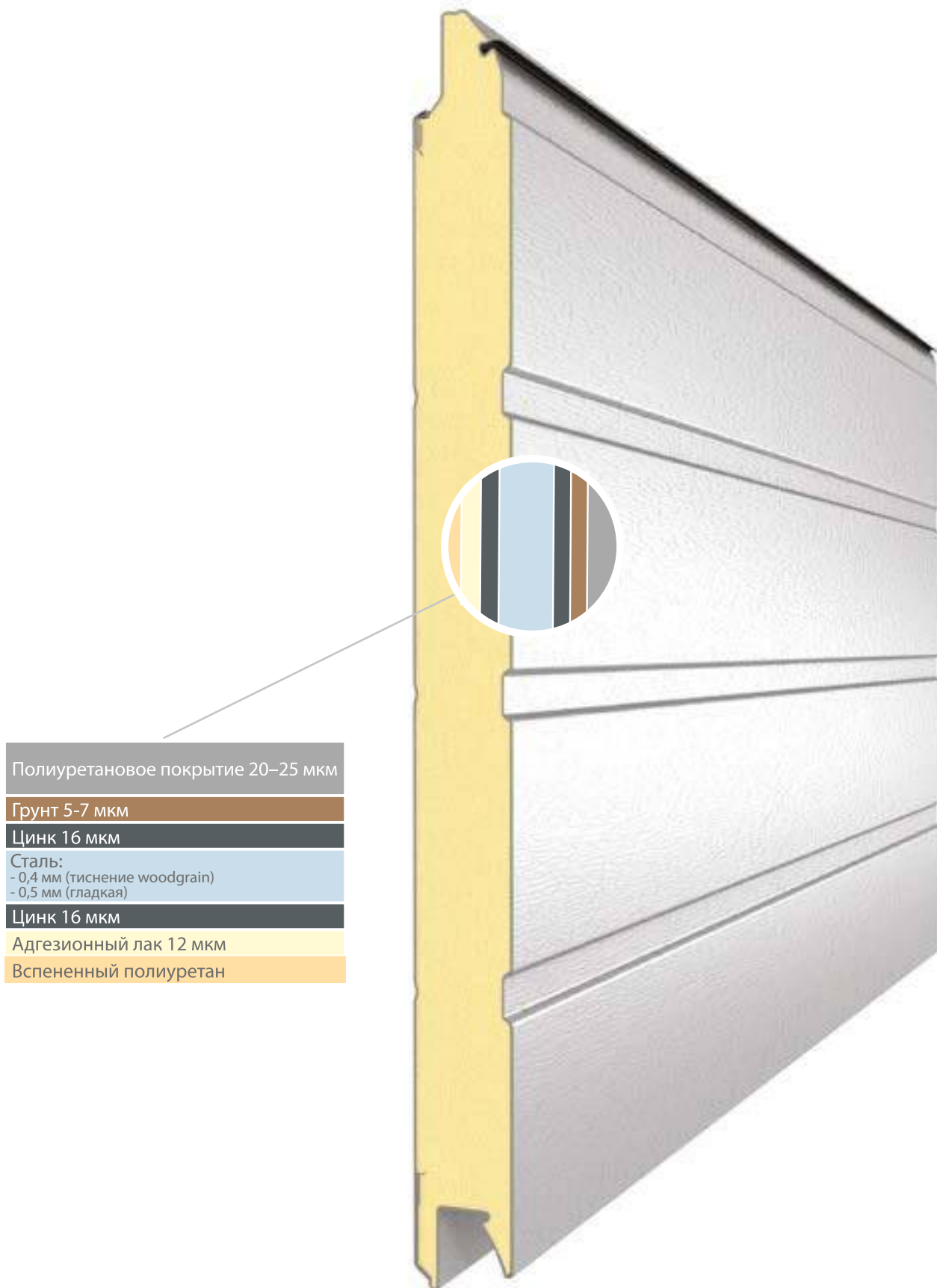
ТИПОВАЯ КОНСТРУКЦИЯ ПОЛОТНА ПРОМЫШЛЕННЫХ ВОРОТ СЕРИИ PROPLUS

3.1



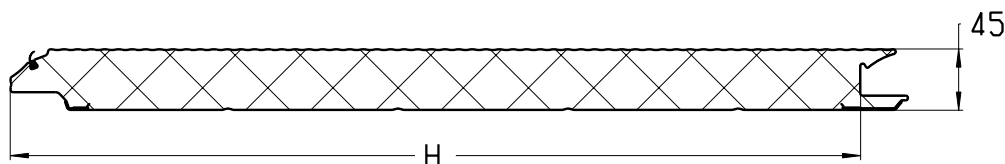
КОНСТРУКЦИЯ СЭНДВИЧ-ПАНЕЛИ ТОЛЩИНОЙ 45 ММ С ЗАЩИТОЙ ОТ ЗАЩЕМЛЕНИЯ ПАЛЬЦЕВ

3.1



СЭНДВИЧ-ПАНЕЛИ ДЛЯ ПОЛОТНА ВОРОТ

СЭНДВИЧ-ПАНЕЛИ С РИСУНКОМ «МИКРОВОЛНА»
СТРУКТУРА ПОВЕРХНОСТИ WOODGRAIN



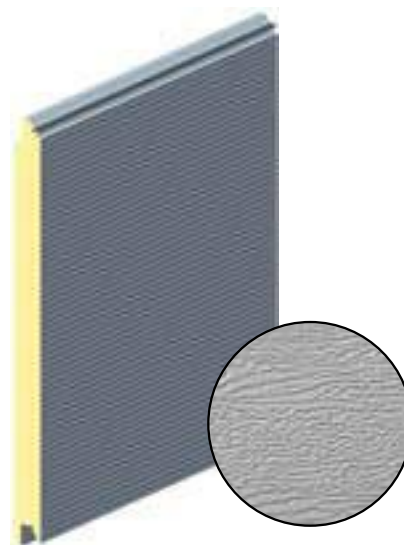
Панель воротная

Наружная сторона: структура поверхности woodgrain с рисунком «микроволна».
Внутренняя сторона: структура поверхности woodgrain с горизонтальными полосами, цвет — бело-серый (близкий RAL 9002).

Высота панели, мм 500
Толщина панели, мм 45
Вес, кг/м 5,31
Единица измерения м

Арт.	Код	Цвет*	Длина, м	Норма поставки, м	Розничная цена, евро с НДС
MW1.01-500	401040012	RAL 9016	12,2	268,4	48,00
MW1.02-500	401040017	RAL 8014	12,2	268,4	
MW1.03-500	401040011	RAL 9006	12,2	268,4	
MW1.04-500	401040014	RAL 5010	12,2	268,4	
MW1.12-500	401040113	RAL 3004	9,2	202,4	
MW1.09-500	401040021	RAL 6005	9,2	202,4	
MW1.10-500	401040020	RAL 1015	9,2	202,4	
MW1.14-500	401040028	ADS703	9,2	202,4	
MW1.16-500	401040029	RAL 7016	9,2	202,4	

* Указанные цвета имеют близкое соответствие шкале RAL



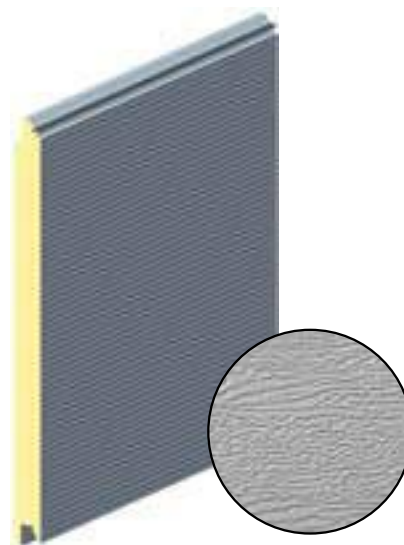
Панель воротная

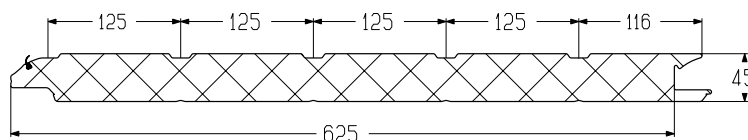
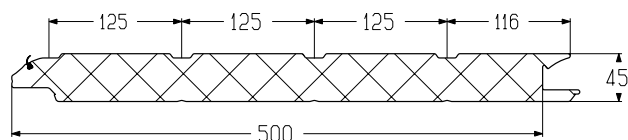
Наружная сторона: структура поверхности woodgrain с рисунком «микроволна».
Внутренняя сторона: структура поверхности woodgrain с горизонтальными полосами, цвет — бело-серый (близкий RAL 9002).

Высота панели, мм 625
Толщина панели, мм 45
Вес, кг/м 6,38
Единица измерения м

Арт.	Код	Цвет*	Длина, м	Норма поставки, м	Розничная цена, евро с НДС
MW1.01-625	401090012	RAL 9016	12,2	268,4	58,00
MW1.02-625	401090017	RAL 8014	12,2	268,4	
MW1.03-625	401090011	RAL 9006	12,2	268,4	
MW1.04-625	401090014	RAL 5010	12,2	268,4	
MW1.12-625	401090113	RAL 3004	9,2	202,4	
MW1.09-625	401000321	RAL 6005	9,2	202,4	
MW1.10-625	401000320	RAL 1015	9,2	202,4	
MW1.14-625	401090028	ADS703	9,2	202,4	
MW1.16-625	401090229	RAL 7016	9,2	202,4	

* Указанные цвета имеют близкое соответствие шкале RAL



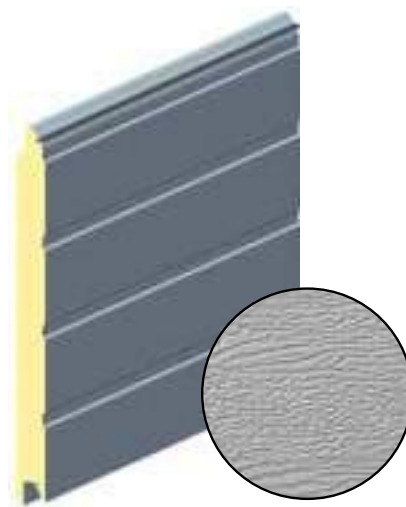
СЭНДВИЧ-ПАНЕЛИ С РИСУНКОМ S-ГОФР
 СТРУКТУРА ПОВЕРХНОСТИ WOODGRAIN

Панель воротная

Наружная сторона: структура поверхности woodgrain с рисунком S-гофр (узкий гофр).
 Внутренняя сторона: структура поверхности woodgrain с горизонтальными полосами,
 цвет — бело-серый (близкий RAL 9002).

Высота панели, мм 500
 Толщина панели, мм 45
 Вес, кг/м 5,37
 Единица измерения м

Арт.	Код	Цвет*	Длина, м	Норма поставки, м	Розничная цена, евро с НДС
RS1.01-500	401040112	RAL 9016	12,2	268,4	48,00
RS1.02-500	401040117	RAL 8014	12,2	268,4	
RS1.03-500	401040111	RAL 9006	12,2	268,4	
RS1.04-500	401040114	RAL 5010	12,2	268,4	
RS1.12-500	401040213	RAL 3004	9,2	202,4	
RS1.09-500	401040121	RAL 6005	9,2	202,4	
RS1.10-500	401040120	RAL 1015	9,2	202,4	
RS1.14-500	401040128	ADS703	9,2	202,4	
RS1.16-500	401040129	RAL 7016	9,2	202,4	

* Указанные цвета имеют близкое соответствие шкале RAL

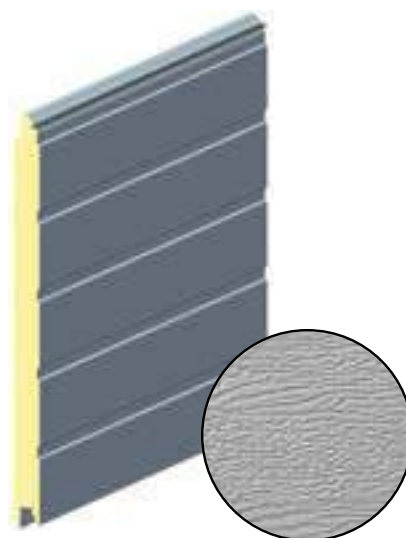

Панель воротная

Наружная сторона: структура поверхности woodgrain с рисунком S-гофр (узкий гофр).
 Внутренняя сторона: структура поверхности woodgrain с горизонтальными полосами,
 цвет — бело-серый (близкий RAL 9002).

Высота панели, мм 625
 Толщина панели, мм 45
 Вес, кг/м 6,43
 Единица измерения м

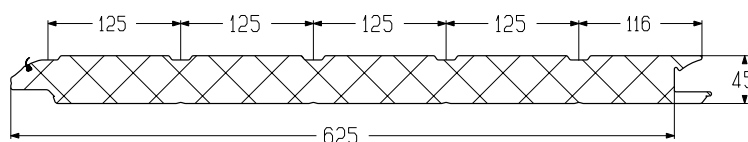
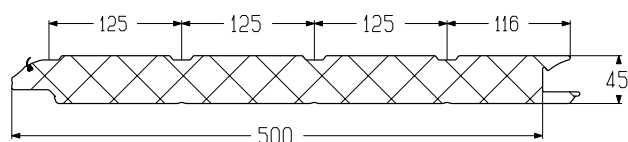
Арт.	Код	Цвет*	Длина, м	Норма поставки, м	Розничная цена, евро с НДС
RS1.01-625	401090112	RAL 9016	12,2	268,4	58,00
RS1.02-625	401090117	RAL 8014	12,2	268,4	
RS1.03-625	401090111	RAL 9006	12,2	268,4	
RS1.04-625	401090114	RAL 5010	12,2	268,4	
RS1.12-625	401090213	RAL 3004	9,2	202,4	
RS1.09-625	401000421	RAL 6005	9,2	202,4	
RS1.10-625	401000420	RAL 1015	9,2	202,4	
RS1.14-625	401090128	ADS703	9,2	202,4	
RS1.16-625	401090329	RAL 7016	9,2	202,4	

* Указанные цвета имеют близкое соответствие шкале RAL



СЭНДВИЧ-ПАНЕЛИ ДЛЯ ПОЛОТНА ВОРОТ

СЭНДВИЧ-ПАНЕЛИ С РИСУНКОМ S-ГОФР
СТРУКТУРА ПОВЕРХНОСТИ «ГЛАДКАЯ»



Панель воротная

Наружная сторона: структура поверхности гладкая с рисунком S-гофр (узкий гофр).
Внутренняя сторона: структура поверхности woodgrain с горизонтальными полосами, цвет — бело-серый (близкий RAL 9002).

Высота панели, мм 500
Толщина панели, мм 45
Вес, кг/м 5,5
Единица измерения м

Арт.	Код	Цвет	Длина, м	Норма поставки, м	Розничная цена, евро с НДС
RS0.05-500	401040205	Golden Oak	9,2	202,4	62,00
RS0.06-500	401040206	Dark Oak	9,2	202,4	
RS0.07-500	401040207	Cherry	9,2	202,4	



Панель воротная

Наружная сторона: структура поверхности «гладкая» с рисунком S-гофр (узкий гофр).
Внутренняя сторона: структура поверхности woodgrain с горизонтальными полосами, цвет — бело-серый (близкий RAL 9002).

Высота панели, мм 625
Толщина панели, мм 45
Вес, кг/м 6,57
Единица измерения м

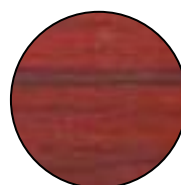
Арт.	Код	Цвет	Длина, м	Норма поставки, м	Розничная цена, евро с НДС
RS0.05-625	401090105	Golden Oak	9,2	202,4	72,00
RS0.06-625	401090106	Dark Oak	9,2	202,4	
RS0.07-625	401090107	Cherry	9,2	202,4	



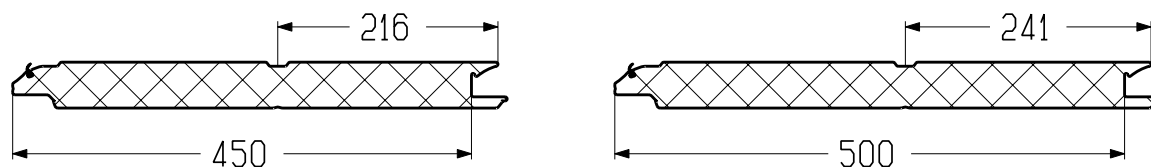
Golden Oak



Dark Oak



Cherry

СЭНДВИЧ-ПАНЕЛИ С РИСУНКОМ М-ГОФР
 СТРУКТУРА ПОВЕРХНОСТИ WOODGRAIN

Панель воротная

Наружная сторона: структура поверхности woodgrain с рисунком М-гофр (средний гофр).

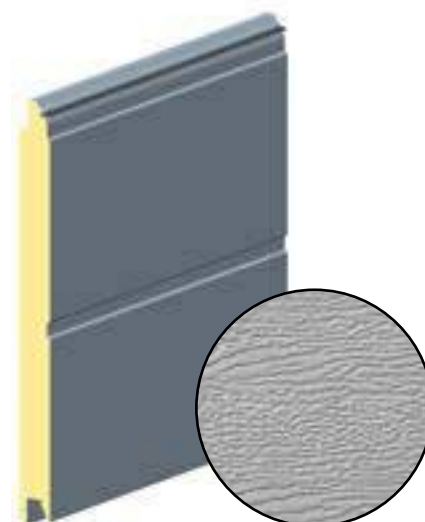
Внутренняя сторона: структура поверхности woodgrain с горизонтальными полосами, цвет — бело-серый (близкий RAL 9002).

Толщина панели, мм45

Единица измеренияМ

Арт.	Код	Цвет*	Высота панели, мм	Вес, кг/м	Длина, м	Норма поставки, м	Розничная цена, евро с НДС
RM1.01-450	401020612	RAL 9016	450	4,83	9,2	202,4	46,00
RM1.01-500	401020712	RAL 9016	500	5,37	9,2	202,4	48,00
RM1.02-450	401022717	RAL 8014	450	4,83	9,2	202,4	46,00
RM1.02-500	401043017	RAL 8014	500	5,37	9,2	202,4	48,00

* Указанные цвета имеют близкое соответствие шкале RAL


СЭНДВИЧ-ПАНЕЛИ С РИСУНКОМ М-ГОФР
 СТРУКТУРА ПОВЕРХНОСТИ «ГЛАДКАЯ»

Панель воротная

Наружная сторона: структура поверхности «гладкая» с рисунком М-гофр (средний гофр).

Внутренняя сторона: структура поверхности woodgrain с горизонтальными полосами, цвет — бело-серый (близкий RAL 9002).

Толщина панели, мм45

Единица измеренияМ

Арт.	Код	Цвет*	Высота панели, мм	Вес, кг/м	Длина, м	Норма поставки, м	Розничная цена, евро с НДС
RM0.05-450	401020105	Golden Oak	450	4,96	9,2	202,4	59,00
RM0.05-500	401020205	Golden Oak	500	5,50	9,2	202,4	62,00
RM0.06-450	401022906	Dark Oak	450	4,96	9,2	202,4	59,00
RM0.06-500	401043106	Dark Oak	500	5,50	9,2	202,4	62,00
RM0.07-450	401020107	Cherry	450	4,96	9,2	202,4	59,00
RM0.07-500	401040307	Cherry	500	5,50	9,2	202,4	62,00
RM0.01-450	401021812	RAL 9016	450	4,96	9,2	202,4	46,00
RM0.01-500	401043112	RAL 9016	500	5,5	9,2	202,4	48,00
RM0.16-450	401020429	RAL 7016	450	4,96	9,2	202,4	46,00
RM0.16-500	401040729	RAL 7016	500	5,5	9,2	202,4	48,00

* Указанные цвета имеют близкое соответствие шкале RAL



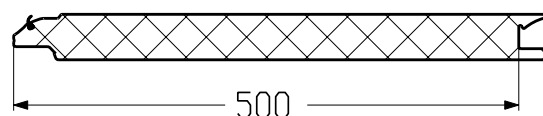
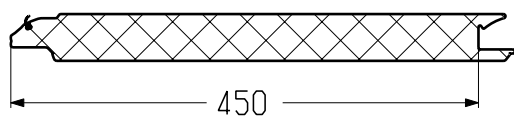
Golden Oak

Dark Oak

Cherry

СЭНДВИЧ-ПАНЕЛИ ДЛЯ ПОЛОТНА ВОРОТ

СЭНДВИЧ-ПАНЕЛИ С РИСУНКОМ L-ГОФР
СТРУКТУРА ПОВЕРХНОСТИ WOODGRAIN



Панель воротная

Наружная сторона: структура поверхности woodgrain с рисунком L-гофр (широкий гофр).

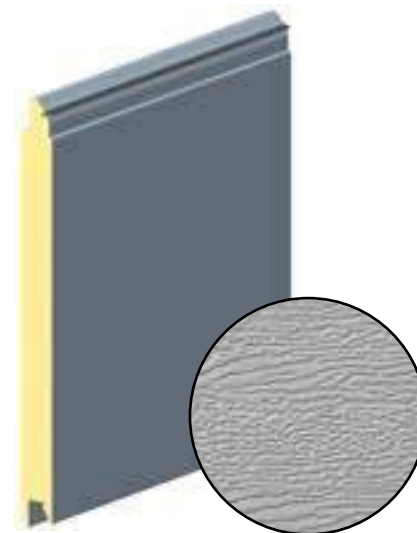
Внутренняя сторона: структура поверхности woodgrain с горизонтальными полосами, цвет — бело-серый (близкий RAL 9002).

Толщина панели, мм45

Единица измерениям

Арт.	Код	Цвет*	Высота панели, мм	Вес, кг/м	Длина, м	Норма поставки, м	Розничная цена, евро с НДС
RL1.01-450	401040912	RAL 9016	450	4,78	9,2	202,4	46,00
RL1.01-500	401041012	RAL 9016	500	5,31	9,2	202,4	48,00
RL1.02-450	401022817	RAL 8014	450	4,78	9,2	202,4	46,00
RL1.02-500	401043117	RAL 8014	500	5,31	9,2	202,4	48,00

* Указанные цвета имеют близкое соответствие шкале RAL



СЭНДВИЧ-ПАНЕЛИ С РИСУНКОМ L-ГОФР
СТРУКТУРА ПОВЕРХНОСТИ «ГЛАДКАЯ»

Панель воротная

Наружная сторона: структура поверхности «гладкая» с рисунком L-гофр (широкий гофр).

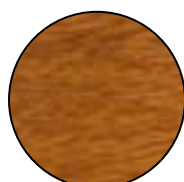
Внутренняя сторона: структура поверхности woodgrain с горизонтальными полосами, цвет — бело-серый (близкий RAL 9002).

Толщина панели, мм45

Единица измерениям

Арт.	Код	Цвет*	Высота панели, мм	Вес, кг/м	Длина, м	Норма поставки, м	Розничная цена, евро с НДС
RL0.05-450	401042105	Golden Oak	450	4,90	9,2	202,4	59,00
RL0.05-500	401042205	Golden Oak	500	5,44	9,2	202,4	62,00
RL0.14-450	401020028	ADS703	450	4,90	9,2	202,4	59,00
RL0.14-500	401040428	ADS703	500	5,44	9,2	202,4	48,00
RL0.06-450	401023006	Dark Oak	450	4,90	9,2	202,4	59,00
RL0.06-500	401043206	Dark Oak	500	5,44	9,2	202,4	62,00
RL0.07-450	401020207	Cherry	450	4,90	9,2	202,4	59,00
RL0.07-500	401040407	Cherry	500	5,44	9,2	202,4	62,00
RL0.01-450	401021912	RAL 9016	450	4,90	9,2	202,4	46,00
RL0.01-500	401043212	RAL 9016	500	5,44	9,2	202,4	48,00
RL0.16-450	401020529	RAL 7016	450	4,90	9,2	202,4	46,00
RL0.16-500	401040829	RAL 7016	500	5,44	9,2	202,4	48,00

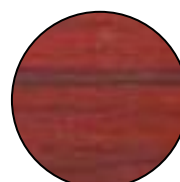
* Указанные цвета имеют близкое соответствие шкале RAL



Golden Oak



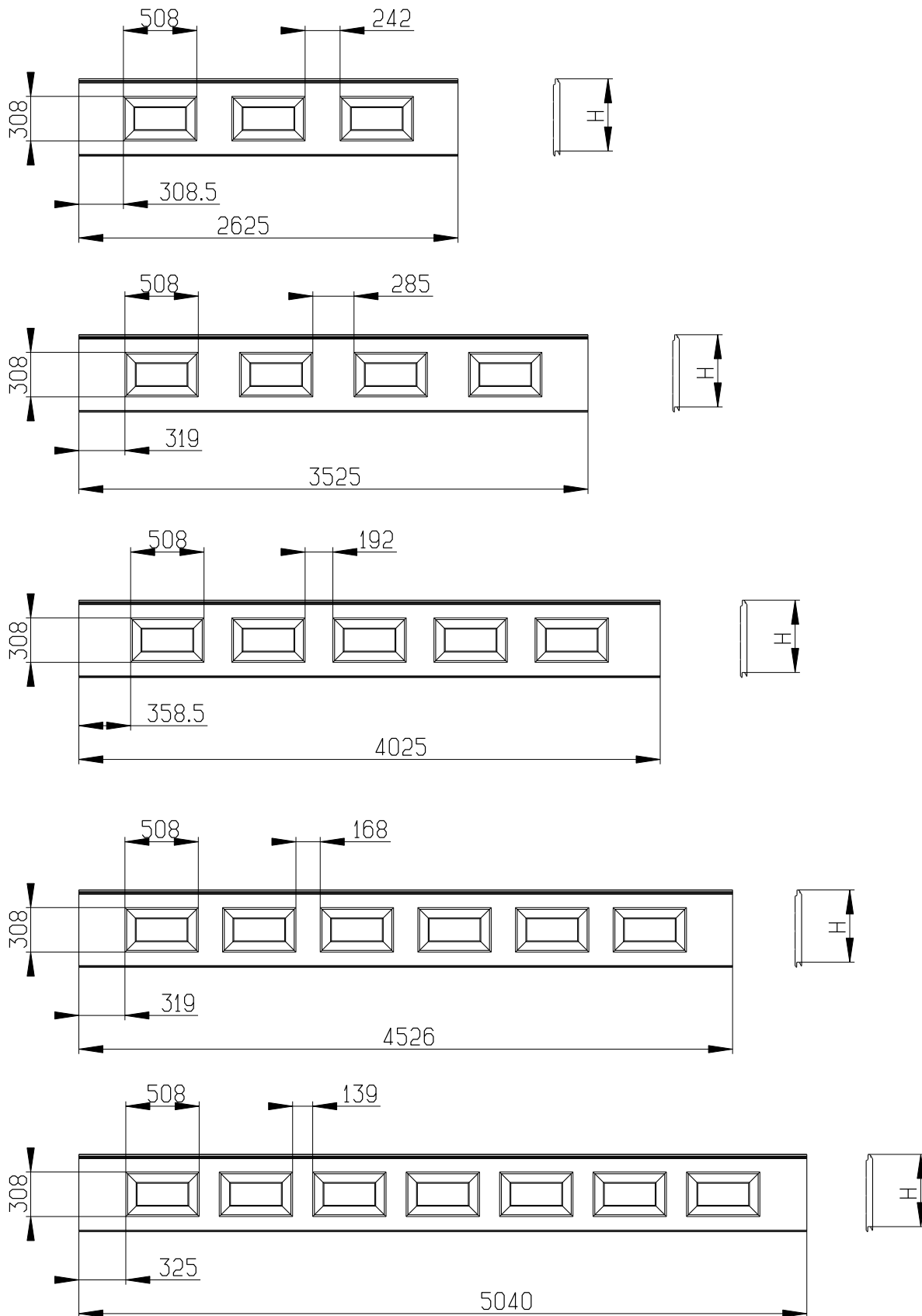
Dark Oak



Cherry



СХЕМАТИЧЕСКОЕ ИЗОБРАЖЕНИЕ СЭНДВИЧ-ПАНЕЛИ С РИСУНКОМ «ФИЛЕНКА»



3.1

СЭНДВИЧ-ПАНЕЛИ ДЛЯ ПОЛОТНА ВОРОТ

СЭНДВИЧ-ПАНЕЛИ С РИСУНКОМ «ФИЛЕНКА»
СТРУКТУРА ПОВЕРХНОСТИ WOODGRAIN

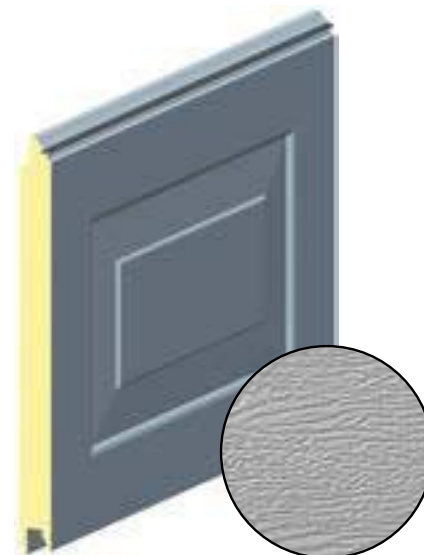
Панель воротная

Наружная сторона: структура поверхности woodgrain с рисунком «филенка».
Внутренняя сторона: структура поверхности woodgrain с горизонтальными полосами,
цвет — бело-серый (близкий RAL 9002).

Высота панели, мм 425
Толщина панели, мм 45
Вес, кг/м 4,68
Единица измерения М

Арт.	Код	Цвет*	Длина, м	Норма поставки, м	Розничная цена, евро с НДС
СТ1.01-425-3025	401010712	RAL 9016	3,025	66,55	47,00
СТ1.01-425-3525	401010812	RAL 9016	3,525	77,55	
СТ1.01-425-4025	401010012	RAL 9016	4,025	88,55	
СТ1.01-425-4526	401010112	RAL 9016	4,525	99,55	
СТ1.01-425-5040	401010212	RAL 9016	5,040	110,88	
СТ1.01-425-7895	401010312	RAL 9016	7,895	173,69	
СТ1.02-425-3025	401011317	RAL 8014	3,025	66,55	
СТ1.02-425-3525	401011417	RAL 8014	3,525	77,55	
СТ1.02-425-4025	401010617	RAL 8014	4,025	88,55	
СТ1.02-425-4526	401010717	RAL 8014	4,526	99,55	
СТ1.02-425-5040	401010817	RAL 8014	5,040	110,88	
СТ1.02-425-7895	401010917	RAL 8014	7,895	173,69	

* Указанные цвета имеют близкое соответствие шкале RAL



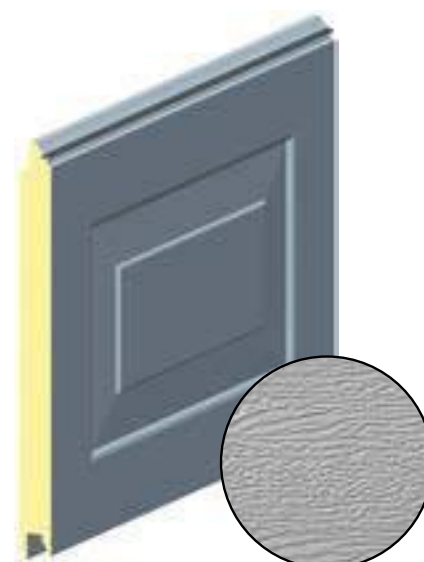
Панель воротная

Наружная сторона: структура поверхности woodgrain с рисунком «филенка».
Внутренняя сторона: структура поверхности woodgrain с горизонтальными полосами,
цвет — бело-серый (близкий RAL 9002).

Высота панели, мм 450
Толщина панели, мм 45
Вес, кг/м 4,89
Единица измерения М

Арт.	Код	Цвет*	Длина, м	Норма поставки, м	Розничная цена, евро с НДС
СТ1.01-450-3025	401021112	RAL 9016	3,025	66,55	47,00
СТ1.01-450-3525	401021212	RAL 9016	3,525	77,55	
СТ1.01-450-4025	401020012	RAL 9016	4,025	88,55	
СТ1.01-450-4526	401020112	RAL 9016	4,525	99,55	
СТ1.01-450-5040	401020212	RAL 9016	5,040	110,88	
СТ1.01-450-7895	401020312	RAL 9016	7,895	173,69	
СТ1.02-450-3025	401021417	RAL 8014	3,025	66,55	
СТ1.02-450-3525	401021517	RAL 8014	3,525	77,55	
СТ1.02-450-4025	401020617	RAL 8014	4,025	88,55	
СТ1.02-450-4526	401020717	RAL 8014	4,526	99,55	
СТ1.02-450-5040	401020817	RAL 8014	5,040	110,88	
СТ1.02-450-7895	401020917	RAL 8014	7,895	173,69	

* Указанные цвета имеют близкое соответствие шкале RAL



СЭНДВИЧ-ПАНЕЛИ С РИСУНКОМ «ФИЛЕНКА»
 СТРУКТУРА ПОВЕРХНОСТИ WOODGRAIN

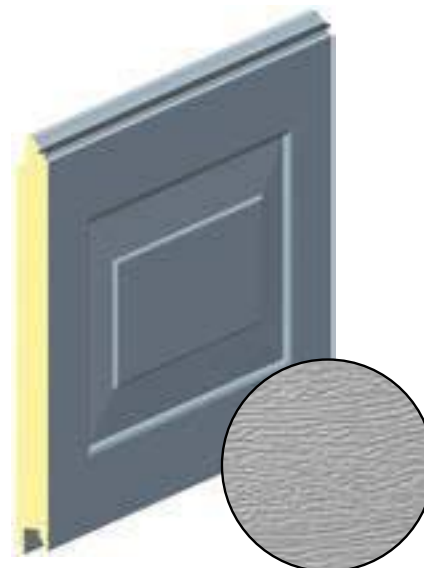
Панель воротная

Наружная сторона: структура поверхности woodgrain с рисунком «филенка».
 Внутренняя сторона: структура поверхности woodgrain с горизонтальными полосами,
 цвет — бело-серый (близкий RAL 9002).

Высота панели, мм475
 Толщина панели, мм45
 Вес, кг/м5,1
 Единица измерения М

Арт.	Код	Цвет*	Длина, м	Норма поставки, м	Розничная цена, евро с НДС
СТ1.01-475-3025	401030712	RAL 9016	3,025	66,55	49,00
СТ1.01-475-3525	401030812	RAL 9016	3,525	77,55	
СТ1.01-475-4025	401030012	RAL 9016	4,025	88,55	
СТ1.01-475-4526	401030112	RAL 9016	4,525	99,55	
СТ1.01-475-5040	401030212	RAL 9016	5,040	110,88	
СТ1.01-475-7895	401030312	RAL 9016	7,895	173,69	
СТ1.02-475-3025	401031417	RAL 8014	3,025	66,55	
СТ1.02-475-3525	401031517	RAL 8014	3,525	77,55	
СТ1.02-475-4025	401030617	RAL 8014	4,025	88,55	
СТ1.02-475-4526	401030717	RAL 8014	4,526	99,55	
СТ1.02-475-5040	401030817	RAL 8014	5,040	110,88	
СТ1.02-475-7895	401030917	RAL 8014	7,895	173,69	

* Указанные цвета имеют близкое соответствие шкале RAL

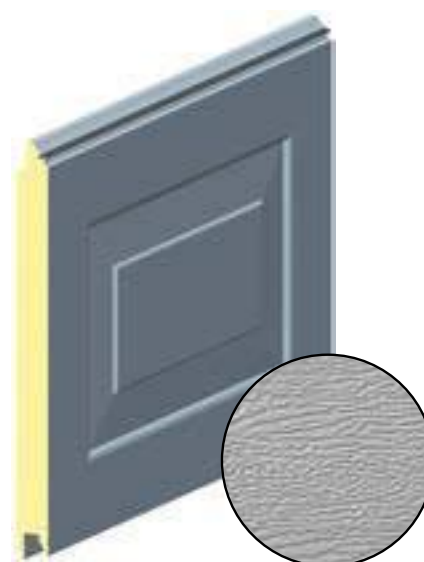

3.1
Панель воротная

Наружная сторона: структура поверхности woodgrain с рисунком «филенка».
 Внутренняя сторона: структура поверхности woodgrain с горизонтальными полосами,
 цвет — бело-серый (близкий RAL 9002).

Высота панели, мм500
 Толщина панели, мм45
 Вес, кг/м5,31
 Единица измерения М

Арт.	Код	Цвет*	Длина, м	Норма поставки, м	Розничная цена, евро с НДС
СТ1.01-500-3025	401041412	RAL 9016	3,025	66,55	50,00
СТ1.01-500-3525	401041512	RAL 9016	3,525	77,55	
СТ1.01-500-4025	401040312	RAL 9016	4,025	88,55	
СТ1.01-500-4526	401040412	RAL 9016	4,525	99,55	
СТ1.01-500-5040	401040512	RAL 9016	5,040	110,88	
СТ1.01-500-7895	401040612	RAL 9016	7,895	173,69	
СТ1.02-500-3025	401041917	RAL 8014	3,025	66,55	
СТ1.02-500-3525	401042017	RAL 8014	3,525	77,55	
СТ1.02-500-4025	401040917	RAL 8014	4,025	88,55	
СТ1.02-500-4526	401041017	RAL 8014	4,526	99,55	
СТ1.02-500-5040	401041117	RAL 8014	5,040	110,88	
СТ1.02-500-7895	401041217	RAL 8014	7,895	173,69	

* Указанные цвета имеют близкое соответствие шкале RAL



СЭНДВИЧ-ПАНЕЛИ ДЛЯ ПОЛОТНА ВОРОТ

СЭНДВИЧ-ПАНЕЛИ С РИСУНКОМ «ФИЛЕНКА»
СТРУКТУРА ПОВЕРХНОСТИ WOODGRAIN

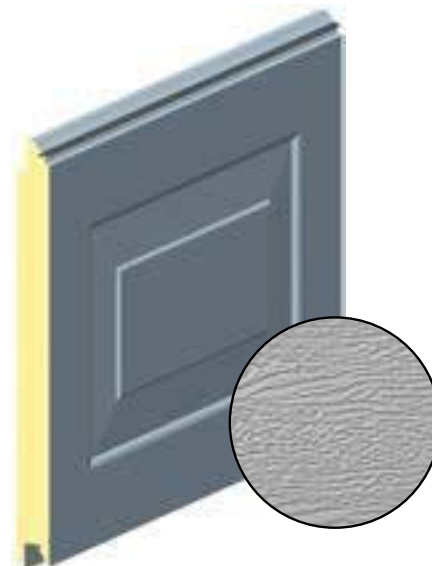
Панель воротная

Наружная сторона: структура поверхности woodgrain с рисунком «филенка».
Внутренняя сторона: структура поверхности woodgrain с горизонтальными полосами,
цвет — бело-серый (близкий RAL 9002).

Высота панели, мм 525
Толщина панели, мм 45
Вес, кг/м 5,53
Единица измерения м

Арт.	Код	Цвет*	Длина, м	Норма поставки, м	Розничная цена, евро с НДС
СТ1.01-525-3025	401050712	RAL 9016	3,025	66,55	53,00
СТ1.01-525-3525	401050812	RAL 9016	3,525	77,55	
СТ1.01-525-4025	401050012	RAL 9016	4,025	88,55	
СТ1.01-525-4526	401050112	RAL 9016	4,525	99,55	
СТ1.01-525-5040	401050212	RAL 9016	5,040	110,88	
СТ1.01-525-7895	401050312	RAL 9016	7,895	173,69	
СТ1.02-525-3025	401051317	RAL 8014	3,025	66,55	
СТ1.02-525-3525	401051417	RAL 8014	3,525	77,55	
СТ1.02-525-4025	401050617	RAL 8014	4,025	88,55	
СТ1.02-525-4526	401050717	RAL 8014	4,526	99,55	
СТ1.02-525-5040	401050817	RAL 8014	5,040	110,88	
СТ1.02-525-7895	401050917	RAL 8014	7,895	173,69	

* Указанные цвета имеют близкое соответствие шкале RAL



СЭНДВИЧ-ПАНЕЛИ С РИСУНКОМ «ФИЛЕНКА»
 СТРУКТУРА ПОВЕРХНОСТИ «WOODGRAIN»

Панель воротная

Наружная сторона: структура поверхности woodgrain с рисунком «филенка».
 Внутренняя сторона: структура поверхности woodgrain с горизонтальными полосами,
 цвет — бело-серый (близкий RAL 9002).

Высота панели, мм425
 Толщина панели, мм 45
 Вес, кг/м4,79
 Единица измерения М

Арт.	Код	Цвет*	Длина, м	Норма поставки, м	Розничная цена, евро с НДС
СТ0.05-425-3025	401011905	Golden Oak	3,025	66,55	55,00
СТ0.05-425-3525	401012005	Golden Oak	3,525	77,55	
СТ0.05-425-4025	401011205	Golden Oak	4,025	88,55	
СТ0.05-425-4526	401011305	Golden Oak	4,525	99,55	
СТ0.05-425-5040	401011405	Golden Oak	5,040	110,88	
СТ0.05-425-7895	401011505	Golden Oak	7,895	173,69	
СТ0.06-425-3025	401012506	Dark Oak	3,025	66,55	
СТ0.06-425-3525	401012606	Dark Oak	3,525	77,55	
СТ0.06-425-4025	401011806	Dark Oak	4,025	88,55	
СТ0.06-425-4526	401011906	Dark Oak	4,526	99,55	
СТ0.06-425-5040	401012006	Dark Oak	5,040	110,88	
СТ0.06-425-7895	401012106	Dark Oak	7,895	173,69	



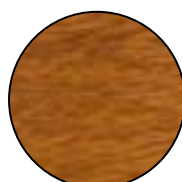
3.1

Панель воротная

Наружная сторона: структура поверхности woodgrain с рисунком «филенка».
 Внутренняя сторона: структура поверхности woodgrain с горизонтальными полосами,
 цвет — бело-серый (близкий RAL 9002).

Высота панели, мм450
 Толщина панели, мм 45
 Вес, кг/м5,01
 Единица измерения М

Арт.	Код	Цвет*	Длина, м	Норма поставки, м	Розничная цена, евро с НДС
СТ0.05-450-3025	401022605	Golden Oak	3,025	66,55	56,00
СТ0.05-450-3525	401022705	Golden Oak	3,525	77,55	
СТ0.05-450-4025	401021205	Golden Oak	4,025	88,55	
СТ0.05-450-4526	401021305	Golden Oak	4,525	99,55	
СТ0.05-450-5040	401021405	Golden Oak	5,040	110,88	
СТ0.05-450-7895	401021505	Golden Oak	7,895	173,69	
СТ0.06-450-3025	401022706	Dark Oak	3,025	66,55	
СТ0.06-450-3525	401022806	Dark Oak	3,525	77,55	
СТ0.06-450-4025	401021806	Dark Oak	4,025	88,55	
СТ0.06-450-4526	401021906	Dark Oak	4,526	99,55	
СТ0.06-450-5040	401022006	Dark Oak	5,040	110,88	
СТ0.06-450-7895	401022106	Dark Oak	7,895	173,69	



Golden Oak



Dark Oak

СЭНДВИЧ-ПАНЕЛИ ДЛЯ ПОЛОТНА ВОРОТ

СЭНДВИЧ-ПАНЕЛИ С РИСУНКОМ «ФИЛЕНКА»
СТРУКТУРА ПОВЕРХНОСТИ «WOODGRAIN»

Панель воротная

Наружная сторона: структура поверхности woodgrain с рисунком «филенка».
Внутренняя сторона: структура поверхности woodgrain с горизонтальными полосами, цвет — бело-серый (близкий RAL 9002).

Высота панели, мм475
Толщина панели, мм 45
Вес, кг/м5,22
Единица измерения М

Арт.	Код	Цвет*	Длина, м	Норма поставки, м	Розничная цена, евро с НДС
СТ0.05-475-3025	401031905	Golden Oak	3,025	66,55	58,00
СТ0.05-475-3525	401032005	Golden Oak	3,525	77,55	
СТ0.05-475-4025	401031205	Golden Oak	4,025	88,55	
СТ0.05-475-4526	401031305	Golden Oak	4,525	99,55	
СТ0.05-475-5040	401031405	Golden Oak	5,040	110,88	
СТ0.05-475-7895	401031505	Golden Oak	7,895	173,69	
СТ0.06-475-3025	401032506	Dark Oak	3,025	66,55	
СТ0.06-475-3525	401032606	Dark Oak	3,525	77,55	
СТ0.06-475-4025	401031806	Dark Oak	4,025	88,55	
СТ0.06-475-4526	401031906	Dark Oak	4,526	99,55	
СТ0.06-475-5040	401032006	Dark Oak	5,040	110,88	
СТ0.06-475-7895	401032106	Dark Oak	7,895	173,69	



Панель воротная

Наружная сторона: структура поверхности woodgrain с рисунком «филенка».
Внутренняя сторона: структура поверхности woodgrain с горизонтальными полосами, цвет — бело-серый (близкий RAL 9002).

Высота панели, мм500
Толщина панели, мм 45
Вес, кг/м5,43
Единица измерения М

Арт.	Код	Цвет*	Длина, м	Норма поставки, м	Розничная цена, евро с НДС
СТ0.05-500-3025	401042605	Golden Oak	3,025	66,55	64,00
СТ0.05-500-3525	401042705	Golden Oak	3,525	77,55	
СТ0.05-500-4025	401041505	Golden Oak	4,025	88,55	
СТ0.05-500-4526	401041605	Golden Oak	4,525	99,55	
СТ0.05-500-5040	401041705	Golden Oak	5,040	110,88	
СТ0.05-500-7895	401041805	Golden Oak	7,895	173,69	
СТ0.06-500-3025	401042806	Dark Oak	3,025	66,55	
СТ0.06-500-3525	401042906	Dark Oak	3,525	77,55	
СТ0.06-500-4025	401042106	Dark Oak	4,025	88,55	
СТ0.06-500-4526	401042206	Dark Oak	4,526	99,55	
СТ0.06-500-5040	401042306	Dark Oak	5,040	110,88	
СТ0.06-500-7895	401042406	Dark Oak	7,895	173,69	



Golden Oak



Dark Oak

СЭНДВИЧ-ПАНЕЛИ С РИСУНКОМ «ФИЛЕНКА»
 СТРУКТУРА ПОВЕРХНОСТИ «WOODGRAIN»

Панель воротная

Наружная сторона: структура поверхности woodgrain с рисунком «филенка».
 Внутренняя сторона: структура поверхности woodgrain с горизонтальными полосами,
 цвет — бело-серый (близкий RAL 9002).

Высота панели, мм525
 Толщина панели, мм 45
 Вес, кг/м5,65
 Единица измерения М



Арт.	Код	Цвет*	Длина, м	Норма поставки, м	Розничная цена, евро с НДС
СТ0.05-525-3025	401051905	Golden Oak	3,025	66,55	68,00
СТ0.05-525-3525	401052005	Golden Oak	3,525	77,55	
СТ0.05-525-4025	401051205	Golden Oak	4,025	88,55	
СТ0.05-525-4526	401051305	Golden Oak	4,525	99,55	
СТ0.05-525-5040	401051405	Golden Oak	5,040	110,88	
СТ0.05-525-7895	401051505	Golden Oak	7,895	173,69	
СТ0.06-525-3025	401052506	Dark Oak	3,025	66,55	
СТ0.06-525-3525	401052606	Dark Oak	3,525	77,55	
СТ0.06-525-4025	401051806	Dark Oak	4,025	88,55	
СТ0.06-525-4526	401051906	Dark Oak	4,526	99,55	
СТ0.06-525-5040	401052006	Dark Oak	5,040	110,88	
СТ0.06-525-7895	401052106	Dark Oak	7,895	173,69	



Golden Oak



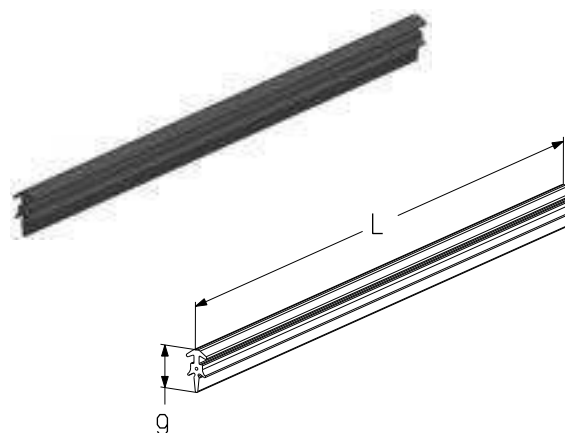
Dark Oak

Вставка уплотнительная

Предназначена для установки совместно с сэндвич-панелями всех типов.

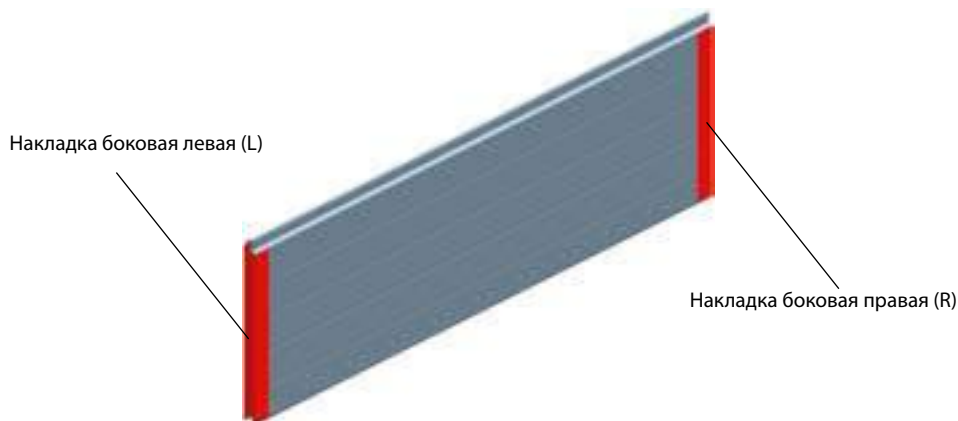
МатериалEPDM
 Вес, кг/м0,13
 Единица измеренияМ
 Норма поставки, м2000

Арт.	Код	Розничная цена, евро с НДС
RSP16	401530600	1,00



НАКЛАДКИ БОКОВЫЕ

УСТАНОВКА НАКЛАДОК БОКОВЫХ

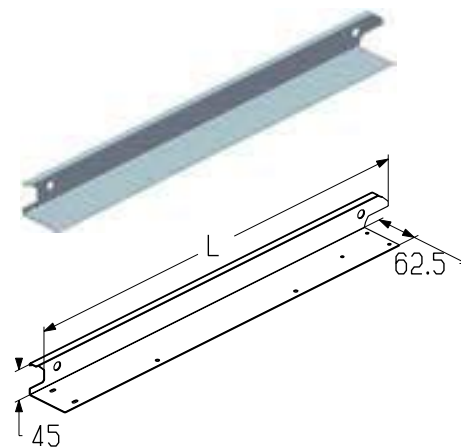


Накладка боковая

Предназначена для установки на торцы сэндвич-панели. Используются в гаражных и промышленных воротах шириной до 5000 мм.

Материал.....оцинкованная сталь
 Покрытие.....полимерное
 Цвет.....бело-серый (близкий RAL 9002)
 Толщина, мм.....1
 Единица измерения шт.

Арт.	Код	Длина (L), мм	Вес, кг/шт.	Норма поставки, шт.	Розничная цена, евро с НДС
EC-425L	401310110	425	0,37	64	2,70
EC-425R	401310210	425	0,37	64	2,70
EC-450L	401320110	450	0,38	64	2,80
EC-450R	401320210	450	0,38	64	2,80
EC-475L	401330110	475	0,43	64	2,90
EC-475R	401330210	475	0,43	64	2,90
EC-500L	401340110	500	0,43	64	3,20
EC-500R	401340210	500	0,43	64	3,20
EC-525L	401350110	525	0,46	64	3,40
EC-525R	401350210	525	0,46	64	3,40
EC-625L	401390110	625	0,55	52	4,00
EC-625R	401390210	625	0,55	52	4,00

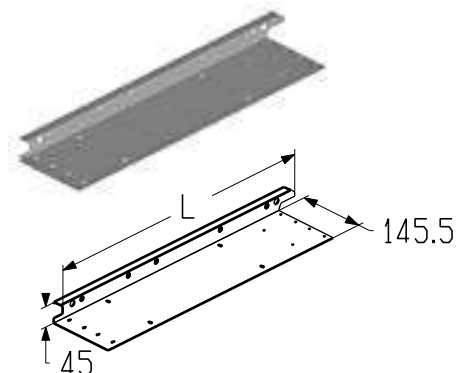


Накладка боковая

Предназначена для установки на торцы сэндвич-панели. Используются в гаражных и промышленных воротах шириной свыше 5000 мм.

Материал.....оцинкованная сталь
 Покрытие.....полимерное
 Цвет.....бело-серый (близкий RAL 9002)
 Толщина, мм.....1
 Единица измерения шт.

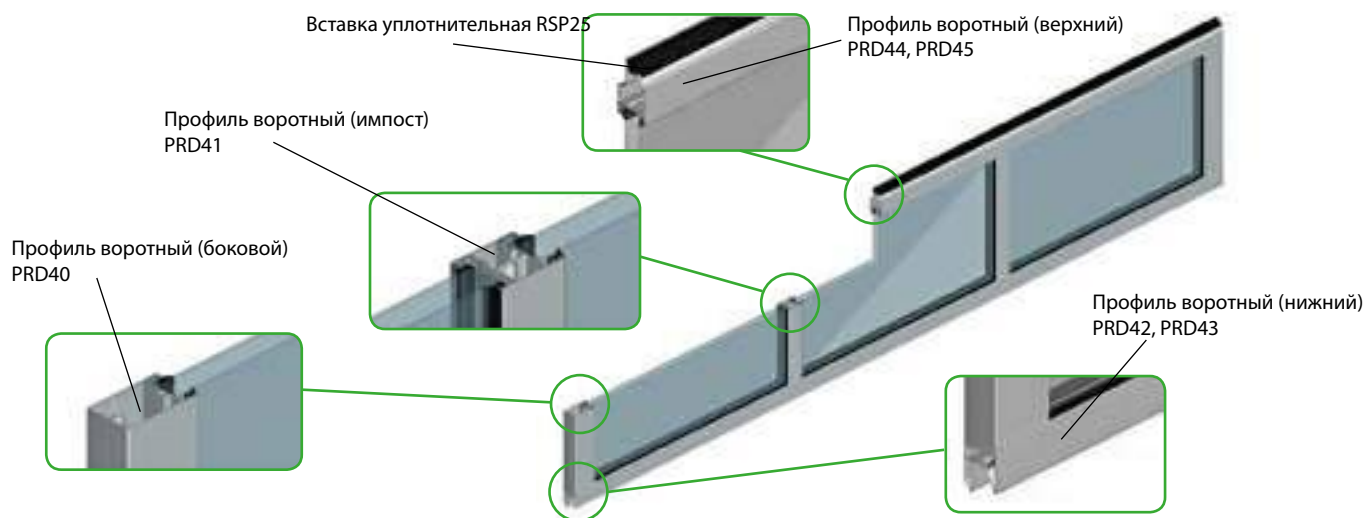
Арт.	Код	Длина (L), мм	Вес, кг/шт.	Норма поставки, шт.	Розничная цена, евро с НДС
EC-12.450L	401320310	450	0,675	36	5,40
EC-12.450R	401320410	450	0,675	36	5,40
EC-12.500L	401340610	500	0,76	36	5,60
EC-12.500R	401340510	500	0,76	36	5,60
EC-12.625L	401390610	625	0,92	24	6,80
EC-12.625R	401390510	625	0,92	24	6,80



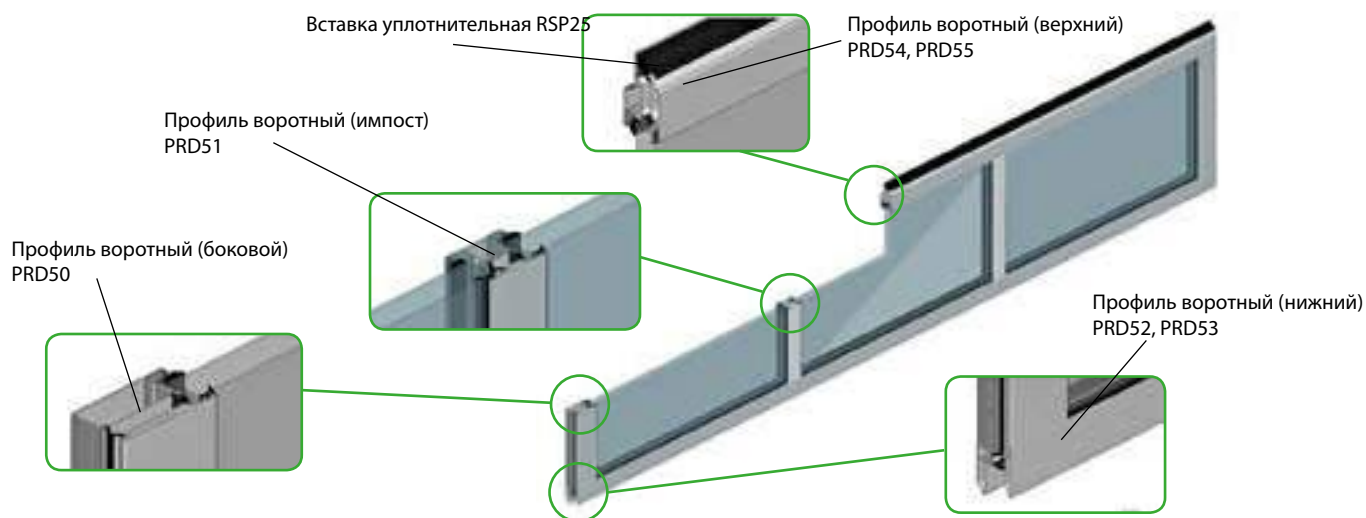
АЛЮМИНИЕВЫЕ ПРОФИЛИ ДЛЯ ПАНОРАМНЫХ ПАНЕЛЕЙ

3.1

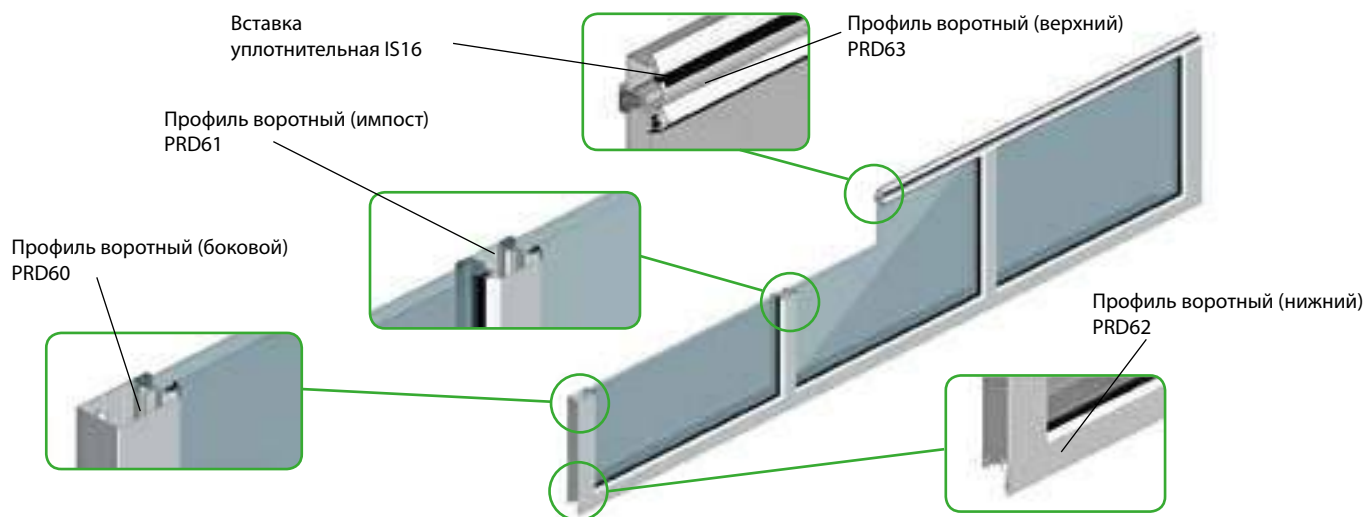
ТИПОВАЯ КОНСТРУКЦИЯ ПАНОРАМНОЙ ПАНЕЛИ ALUPRO



ТИПОВАЯ КОНСТРУКЦИЯ ПАНОРАМНОЙ ПАНЕЛИ ALUTHERM



ТИПОВАЯ КОНСТРУКЦИЯ ПАНОРАМНОЙ ПАНЕЛИ ALULINE



АЛЮМИНИЕВЫЕ ПРОФИЛИ ДЛЯ ПАНОРАМНЫХ ПАНЕЛЕЙ

ТИПЫ ПАНОРАМНЫХ ПАНЕЛЕЙ И ВАРИАНТЫ ЗАПОЛНЕНИЯ

ПАНОРАМНАЯ ПАНЕЛЬ ALUPRO



Двойное акриловое остекление
26 мм



Одинарное акриловое
остекление 3 мм



Композитное заполнение
26 мм



Композитное заполнение
3 мм

ПАНОРАМНАЯ ПАНЕЛЬ ALUTHERM



Тройное акриловое заполнение
25 мм



Двойное акриловое заполнение
26 мм



Композитное заполнение
26 мм

ПАНОРАМНАЯ ПАНЕЛЬ ALULINE



Двойное акриловое заполнение
22 мм



Композитное заполнение
22 мм

3.1

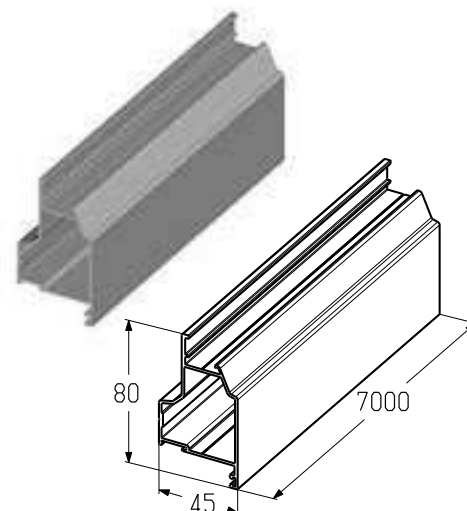
АЛЮМИНИЕВЫЕ ПРОФИЛИ ДЛЯ ПАНОРАМНЫХ ПАНЕЛЕЙ
Профиль воротный (верхний)

Используется для изготовления панорамных панелей AluPro.
 Применяется совместно с сэндвич-панелью с рисунком «Микроволна».

Материал.....алюминий
 Длина, мм.....7000
 Вес, кг/м.....0,95
 Единица измерения..... м
 Норма поставки, м.....28

Арт.	Код	Цвет*	Розничная цена, евро с НДС
PRD44	401130811	RAL 9006	17,00
	401130812	RAL 9016	
	401130817	RAL 8014	
	401130814	RAL 5010	

* Указанные цвета имеют близкое соответствие шкале RAL



3.1

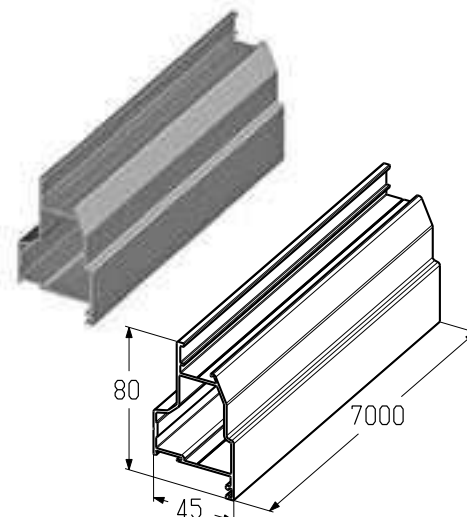
Профиль воротный (верхний)

Используется для изготовления панорамных панелей AluPro.
 Применяется совместно с сэндвич-панелью с рисунком «S-гофр».

Материал.....алюминий
 Длина, мм.....7000
 Вес, кг/м.....0,95
 Единица измерения..... м
 Норма поставки, м.....28

Арт.	Код	Цвет*	Розничная цена, евро с НДС
PRD45	401130911	RAL 9006	17,00
	401130912	RAL 9016	
	401130917	RAL 8014	
	401130914	RAL 5010	

* Указанные цвета имеют близкое соответствие шкале RAL

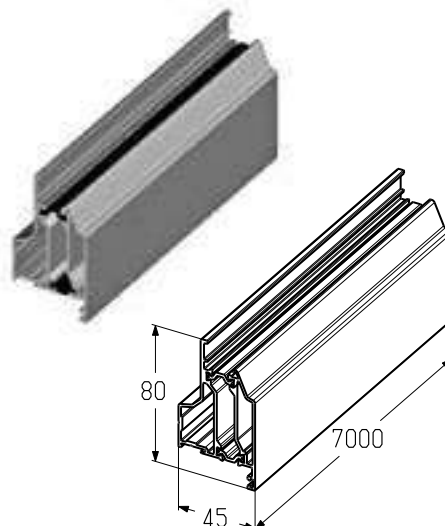

Профиль воротный (верхний с термическим разделением)

Используется для изготовления панорамных панелей AluTherm.
 Применяется совместно с сэндвич-панелью с рисунком «Микроволна».

Материал.....алюминий
 Длина, мм.....7000
 Вес, кг/м.....1,46
 Единица измерения..... м
 Норма поставки, м.....28

Арт.	Код	Цвет*	Розничная цена, евро с НДС
PRD54	401130811	RAL 9006	34,00
	401130812	RAL 9016	
	401130817	RAL 8014	
	401130814	RAL 5010	

* Указанные цвета имеют близкое соответствие шкале RAL



АЛЮМИНИЕВЫЕ ПРОФИЛИ ДЛЯ ПАНОРАМНЫХ ПАНЕЛЕЙ

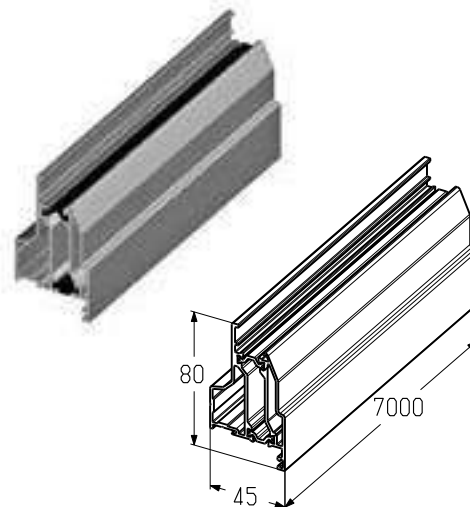
Профиль воротный (верхний с термическим разделением)

Используется для изготовления панорамных панелей AluTherm.
Применяется совместно с сэндвич-панелью с рисунком «S-гофр».

Материал.....алюминий
Длина, мм.....7000
Вес, кг/м.....1,46
Единица измерения.....м
Норма поставки, м.....28

Арт.	Код	Цвет*	Розничная цена, евро с НДС
PRD55	401130911	RAL 9006	33,00
	401130912	RAL 9016	
	401130917	RAL 8014	
	401130914	RAL 5010	

* Указанные цвета имеют близкое соответствие шкале RAL



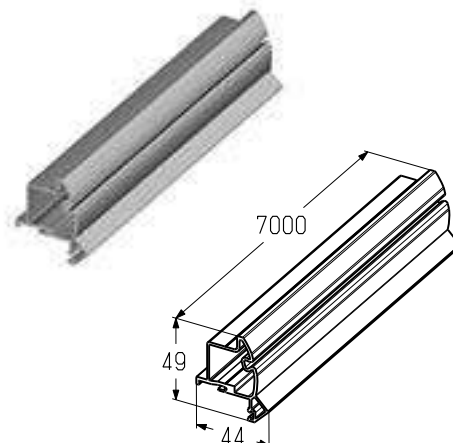
Профиль воротный (верхний)

Используется для изготовления панорамных панелей AluLine.

Материал.....алюминий
Длина, мм.....7000
Вес, кг/м.....1,34
Единица измерения.....м
Норма поставки, м.....28

Арт.	Код	Цвет*	Розничная цена, евро с НДС
PRD63	401130711	RAL 9006	14,00
	401130712	RAL 9016	
	401130717	RAL 8014	
	401130714	RAL 5010	

* Указанные цвета имеют близкое соответствие шкале RAL



Профиль воротный (нижний)

Используется для изготовления панорамных панелей AluPro.

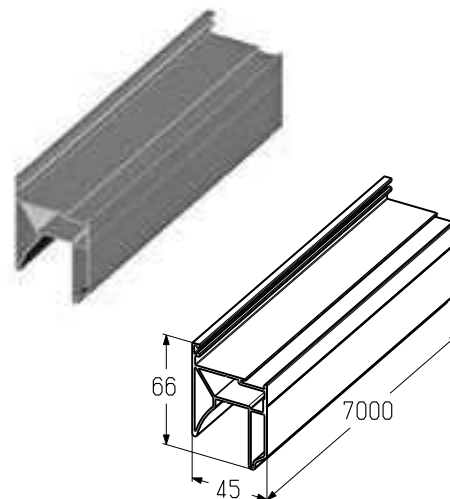
Применяется в панорамных воротах:

- шириной до 4000 мм;
- шириной от 5005 мм с установкой профиля усиливающего (PRG20).

Материал.....алюминий
Длина, мм.....7000
Вес, кг/м.....1,09
Единица измерения.....м
Норма поставки, м.....28

Арт.	Код	Цвет*	Розничная цена, евро с НДС
PRD42	401110211	RAL 9006	20,00
	401110212	RAL 9016	
	401110217	RAL 8014	
	401110214	RAL 5010	

* Указанные цвета имеют близкое соответствие шкале RAL



АЛЮМИНИЕВЫЕ ПРОФИЛИ ДЛЯ ПАНОРАМНЫХ ПАНЕЛЕЙ

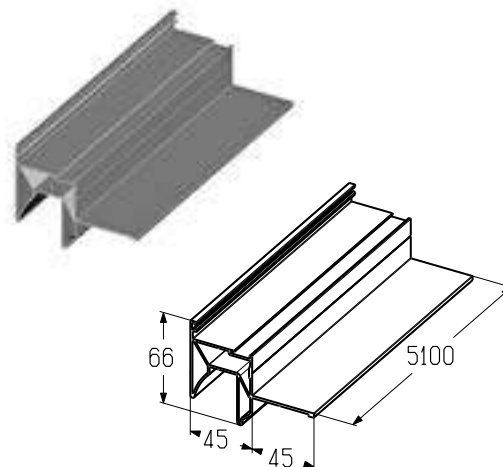
Профиль воротный (нижний)

Используется для изготовления панорамных панелей AluPro.
Применяется в панорамных воротах шириной от 4005 до 5000 мм.

Материал.....алюминий
Длина, мм.....5100
Вес, кг/м.....1,36
Единица измерения.....м
Норма поставки, м.....20,24

Арт.	Код	Цвет*	Розничная цена, евро с НДС
PRD43	401110311	RAL 9006	25,00
	401110312	RAL 9016	
	401110317	RAL 8014	
	401110314	RAL 5010	

* Указанные цвета имеют близкое соответствие шкале RAL



3.1

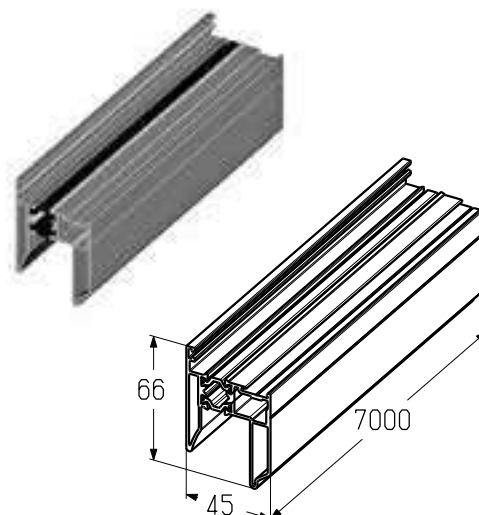
Профиль воротный (нижний с термическим разделением)

Используется для изготовления панорамных панелей AluTherm.
• шириной до 4000 мм;
• шириной от 5005 мм с установкой профиля усиливающего (PRG20).

Материал.....алюминий
Длина, мм.....7000
Вес, кг/м.....1,30
Единица измерения.....м
Норма поставки, м.....28

Арт.	Код	Цвет*	Розничная цена, евро с НДС
PRD52	401110511	RAL 9006	31,00
	401110512	RAL 9016	
	401110517	RAL 8014	
	401110514	RAL 5010	

* Указанные цвета имеют близкое соответствие шкале RAL



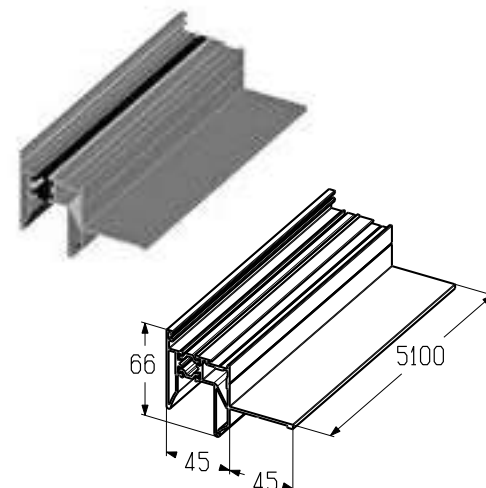
Профиль воротный (нижний с термическим разделением)

Используется для изготовления панорамных панелей AluTherm.
Применяется в панорамных воротах шириной от 4005 до 5000 мм.

Материал.....алюминий
Длина, мм.....5100
Вес, кг/м.....1,57
Единица измерения.....м
Норма поставки, м.....14

Арт.	Код	Цвет*	Розничная цена, евро с НДС
PRD53	401110611	RAL 9006	37,00
	401110612	RAL 9016	
	401110617	RAL 8014	
	401110614	RAL 5010	

* Указанные цвета имеют близкое соответствие шкале RAL



АЛЮМИНИЕВЫЕ ПРОФИЛИ ДЛЯ ПАНОРАМНЫХ ПАНЕЛЕЙ

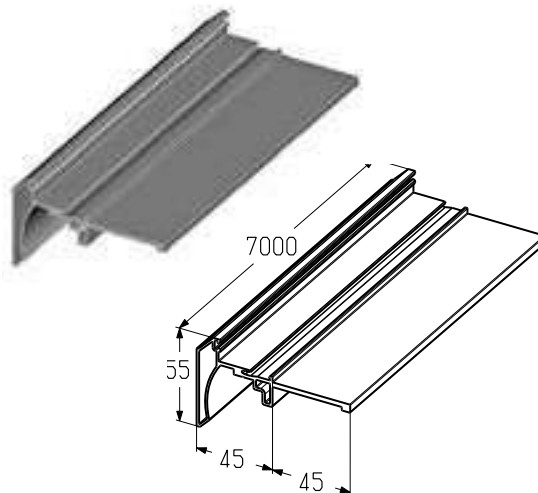
Профиль воротный (нижний)

Используется для изготовления панорамных панелей AluLine.

Материал.....алюминий
 Длина, мм.....7000
 Вес, кг/м.....1,09
 Единица измерения.....м
 Норма поставки, м.....28

Арт.	Код	Цвет*	Розничная цена, евро с НДС
PRD62	401110411	RAL 9006	22,00
	401110412	RAL 9016	
	401110417	RAL 8014	
	401110414	RAL 5010	

* Указанные цвета имеют близкое соответствие шкале RAL



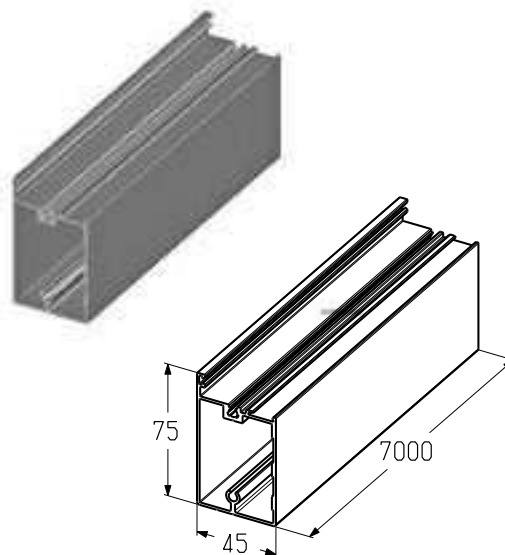
Профиль воротный (боковой)

Используется для изготовления панорамных панелей AluPro.

Материал.....алюминий
 Длина, мм.....7000
 Вес, кг/м.....1,21
 Единица измерения.....м
 Норма поставки, м.....28

Арт.	Код	Цвет*	Розничная цена, евро с НДС
PRD40	401120211	RAL 9006	21,00
	401120212	RAL 9016	
	401120217	RAL 8014	
	401120214	RAL 5010	

* Указанные цвета имеют близкое соответствие шкале RAL



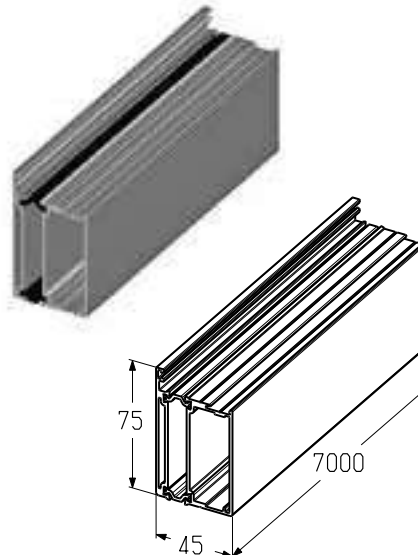
Профиль воротный (боковой с термическим разделением)

Используется для изготовления панорамных панелей AluTherm.

Материал.....алюминий
 Длина, мм.....7000
 Вес, кг/м.....1,61
 Единица измерения.....м
 Норма поставки, м.....14

Арт.	Код	Цвет*	Розничная цена, евро с НДС
PRD50	401120411	RAL 9006	38,00
	401120412	RAL 9016	
	401120417	RAL 8014	
	401120414	RAL 5010	

* Указанные цвета имеют близкое соответствие шкале RAL



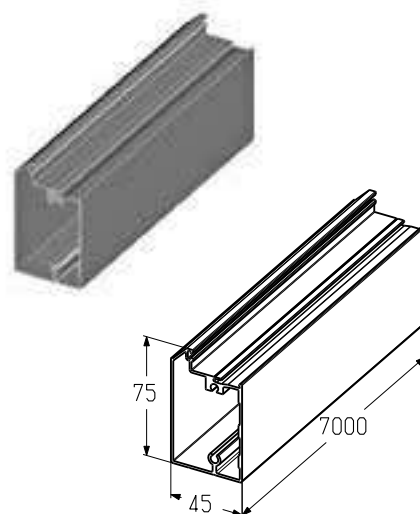
АЛЮМИНИЕВЫЕ ПРОФИЛИ ДЛЯ ПАНОРАМНЫХ ПАНЕЛЕЙ
Профиль воротный (боковой)

Используется для изготовления панорамных панелей AluLine.

 Материал.....алюминий
 Длина, мм.....7000
 Вес, кг/м.....1,21
 Единица измерения.....м
 Норма поставки, м.....28

Арт.	Код	Цвет*	Розничная цена, евро с НДС
PRD60	401120311	RAL 9006	21,00
	401120312	RAL 9016	
	401120317	RAL 8014	
	401120314	RAL 5010	

* Указанные цвета имеют близкое соответствие шкале RAL

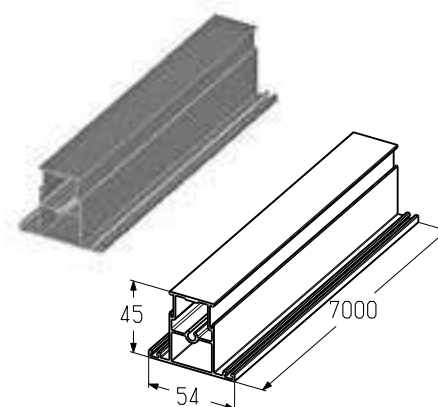

Профиль воротный (импост)

Используется для изготовления панорамных панелей AluPro.

 Материал.....алюминий
 Длина, мм.....7000
 Вес, кг/м.....0,87
 Единица измерения.....м
 Норма поставки, м.....28

Арт.	Код	Цвет*	Розничная цена, евро с НДС
PRD41	401140211	RAL 9006	17,00
	401140212	RAL 9016	
	401140217	RAL 8014	
	401140214	RAL 5010	

* Указанные цвета имеют близкое соответствие шкале RAL

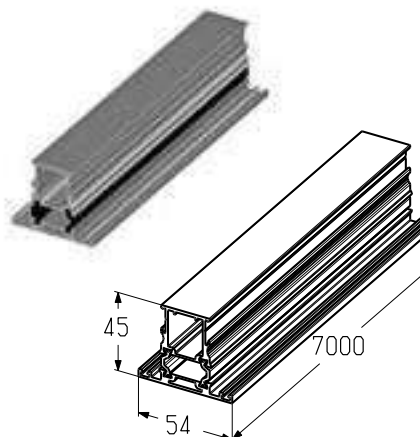

Профиль воротный (импост с термическим разделением)

Используется для изготовления панорамных панелей AluTherm.

 Материал.....алюминий
 Длина, мм.....7000
 Вес, кг/м.....1,16
 Единица измерения.....м
 Норма поставки, м.....24

Арт.	Код	Цвет*	Розничная цена, евро с НДС
PRD51	401140411	RAL 9006	28,00
	401140412	RAL 9016	
	401140417	RAL 8014	
	401140414	RAL 5010	

* Указанные цвета имеют близкое соответствие шкале RAL



АЛЮМИНИЕВЫЕ ПРОФИЛИ ДЛЯ ПАНОРАМНЫХ ПАНЕЛЕЙ

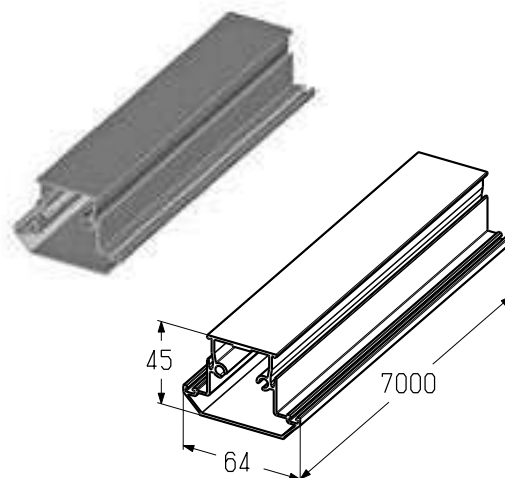
Профиль воротный (импост)

Используется для изготовления панорамных панелей AluLine.

Материал.....алюминий
 Длина, мм.....7000
 Вес, кг/м.....0,87
 Единица измерения.....м
 Норма поставки, м.....36

Арт.	Код	Цвет*	Розничная цена, евро с НДС
PRD61	401140311	RAL 9006	17,00
	401140312	RAL 9016	
	401140317	RAL 8014	
	401140314	RAL 5010	

* Указанные цвета имеют близкое соответствие шкале RAL



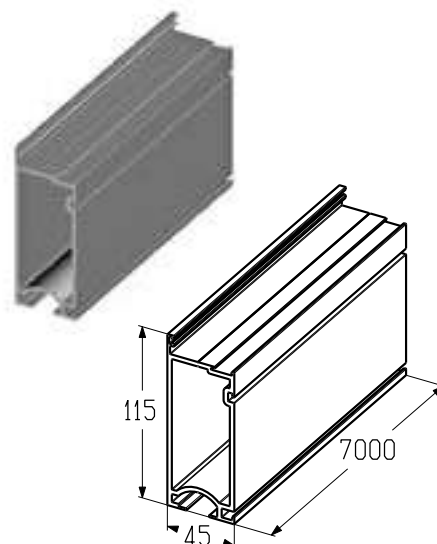
Профиль воротный (нижний концевой)

Используется для изготовления панорамных панелей AluPro.

Материал.....алюминий
 Длина, мм.....7000
 Вес, кг/м.....2,62
 Единица измерения.....м
 Норма поставки, м.....14

Арт.	Код	Цвет*	Розничная цена, евро с НДС
PRD46	401410111	RAL 9006	45,00
	401410112	RAL 9016	
	401410117	RAL 8014	
	401410114	RAL 5010	

* Указанные цвета имеют близкое соответствие шкале RAL



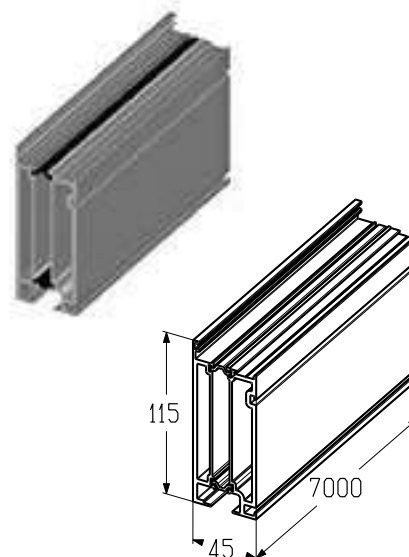
Профиль воротный (нижний концевой с термическим разделением)

Используется для изготовления панорамных панелей AluTherm.

Материал.....алюминий
 Длина, мм.....7000
 Вес, кг/м.....3,20
 Единица измерения.....м
 Норма поставки, м.....14

Арт.	Код	Цвет*	Розничная цена, евро с НДС
PRD56	401490111	RAL 9006	64,00
	401490112	RAL 9016	
	401490117	RAL 8014	
	401490114	RAL 5010	

* Указанные цвета имеют близкое соответствие шкале RAL



АЛЮМИНИЕВЫЕ ПРОФИЛИ ДЛЯ ПАНОРАМНЫХ ПАНЕЛЕЙ

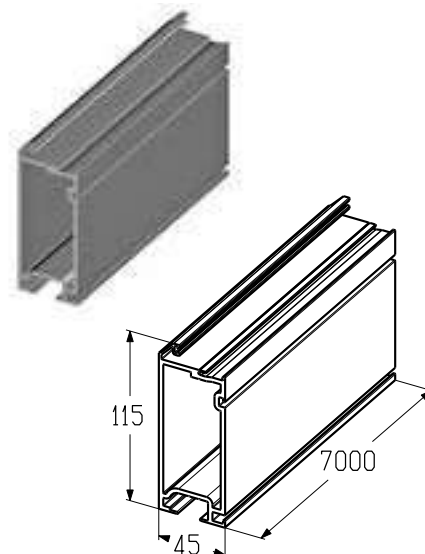
Профиль воротный (нижний концевой)

Используется для изготовления панорамных панелей AluLine.

Материал.....алюминий
 Длина, мм.....7000
 Вес, кг/м.....2,64
 Единица измерения м
 Норма поставки, м.....21

Арт.	Код	Цвет*	Розничная цена, евро с НДС
PRD64	401410211	RAL 9006	45,00
	401410212	RAL 9016	
	401410217	RAL 8014	
	401410214	RAL 5010	

* Указанные цвета имеют близкое соответствие шкале RAL



3.1

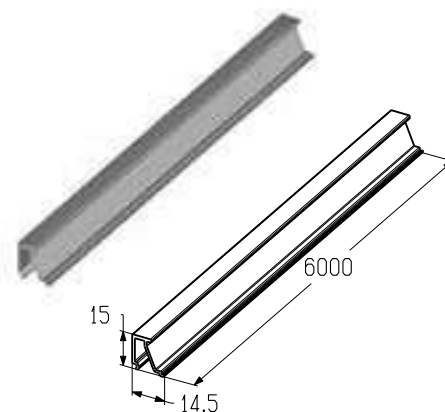
Профиль воротный (штапик)

Используется для изготовления панорамных панелей AluPro и AluTherm совместно с акриловыми или композитными вставками толщиной 26 и 25 мм.

Материал.....алюминий
 Длина, мм.....6000
 Вес, кг/м.....0,131
 Единица измерения м
 Норма поставки, м.....96

Арт.	Код	Цвет*	Розничная цена, евро с НДС
PRD47	401150311	RAL 9006	4,00
	401150312	RAL 9016	
	401150317	RAL 8014	
	401150314	RAL 5010	

* Указанные цвета имеют близкое соответствие шкале RAL



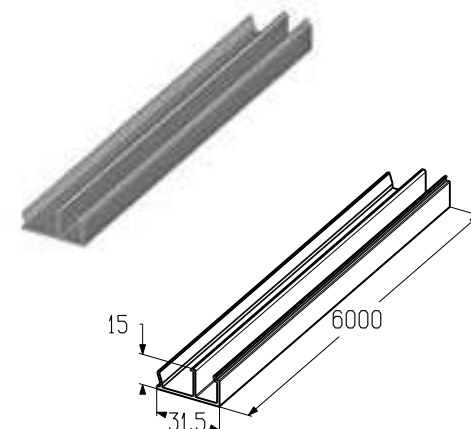
Профиль воротный (штапик)

Используется для изготовления панорамных панелей AluPro и AluTherm совместно с акриловыми или композитными вставками толщиной 3 мм.

Материал.....алюминий
 Длина, мм.....6000
 Вес, кг/м.....0,236
 Единица измерения м
 Норма поставки, м.....72

Арт.	Код	Цвет*	Розничная цена, евро с НДС
PRD48	401150411	RAL 9006	5,00
	401150412	RAL 9016	
	401150417	RAL 8014	
	401150414	RAL 5010	

* Указанные цвета имеют близкое соответствие шкале RAL



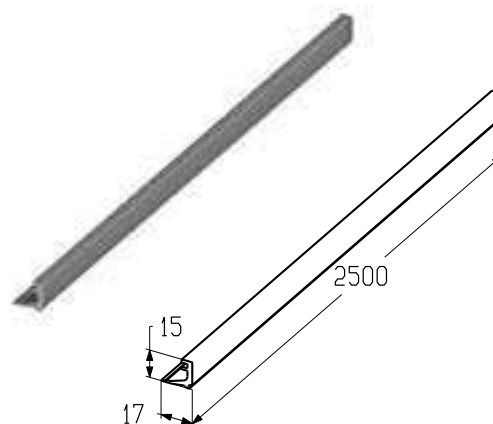
АЛЮМИНИЕВЫЕ ПРОФИЛИ ДЛЯ ПАНОРАМНЫХ ПАНЕЛЕЙ

Профиль штапика

Используется для изготовления панорамных панелей AluLine совместно с акриловыми или композитными вставками толщиной 22 мм.

Материал..... RPVC
 Длина, мм..... 2500
 Вес, кг/м..... 0,1
 Единица измерения..... М
 Норма поставки, м..... 125

Арт.	Код	Розничная цена, евро с НДС
PRP01	401150130	3,10

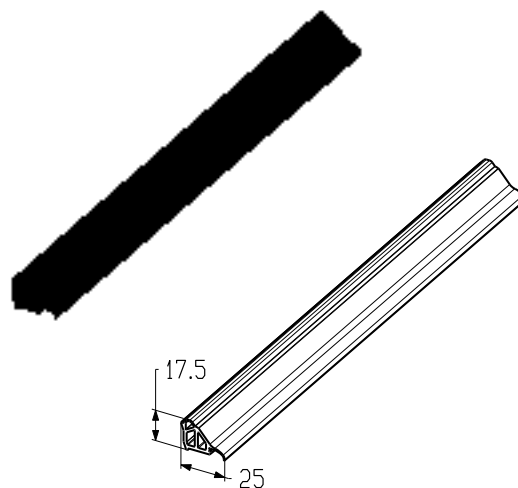


Вставка уплотнительная

Используется для изготовления панорамных панелей AluPro и AluTherm. Предназначена для установки в профиль воротный верхний (PRD44, PRD45, PRD54, PRD55).

Материал..... EPDM
 Вес, кг/м..... 0,34
 Единица измерения..... М
 Норма поставки, м..... 100

Арт.	Код	Розничная цена, евро с НДС
RSP25	401520200	3,90

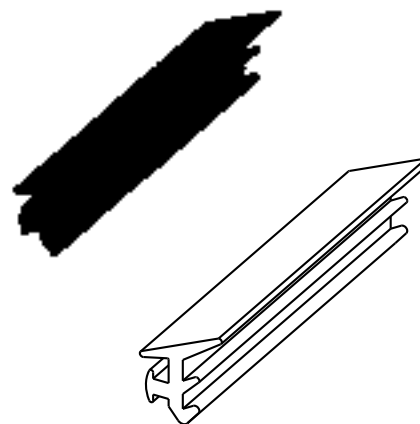


Уплотнитель резиновый

Используется для изготовления панорамных панелей AluPro и AluTherm. Предназначен для установки с внешней стороны ворот совместно с акриловой вставкой толщиной 26 мм, 25 мм, 3 мм или композитной вставкой толщиной 26 мм и 3 мм.

Материал..... EPDM
 Вес, кг/м..... 0,044
 Единица измерения..... М
 Норма поставки, м..... 400

Арт.	Код	Розничная цена, евро с НДС
FRK29-01	10415900	0,40



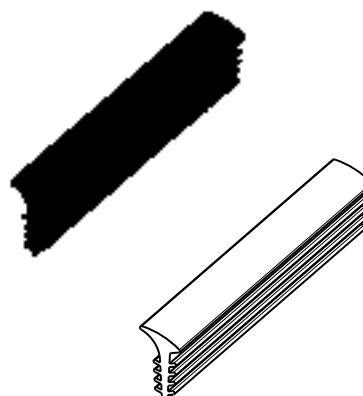
АЛЮМИНИЕВЫЕ ПРОФИЛИ ДЛЯ ПАНОРАМНЫХ ПАНЕЛЕЙ

Уплотнитель резиновый

Используется для изготовления панорамных панелей AluPro и AluTherm.
Предназначен для установки с внутренней стороны ворот совместно с акриловой и композитной вставкой толщиной 26 мм.

Материал..... EPDM
Вес, кг/м.....0,027
Единица измерения..... м
Норма поставки, м..... 600

Арт.	Код	Розничная цена, евро с НДС
FRK37	10415400	0,30



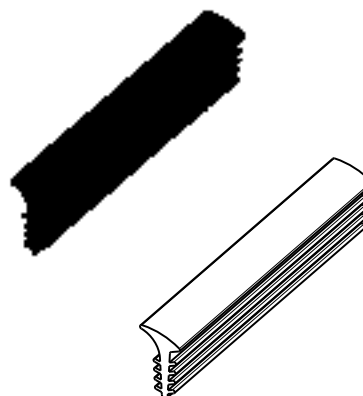
3.1

Уплотнитель резиновый

Используется для изготовления панорамных панелей AluTherm.
Предназначен для установки с внутренней стороны ворот совместно с акриловой вставкой толщиной 25 мм.

Материал..... EPDM
Вес, кг/м.....0,046
Единица измерения..... м
Норма поставки, м..... 400

Арт.	Код	Розничная цена, евро с НДС
FRK38	10415500	0,40

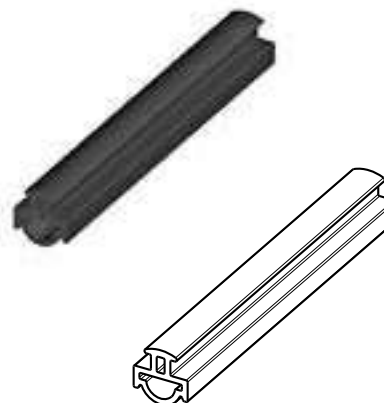


Уплотнитель резиновый

Используется для изготовления панорамных панелей AluLine.
Предназначен для установки с внутренней стороны ворот совместно с акриловой и композитной вставкой толщиной 22 мм.

Материал..... EPDM
Вес, кг/м.....0,055
Единица измерения..... м
Норма поставки, м..... 500

Арт.	Код	Розничная цена, евро с НДС
FRK07	10210600	0,30



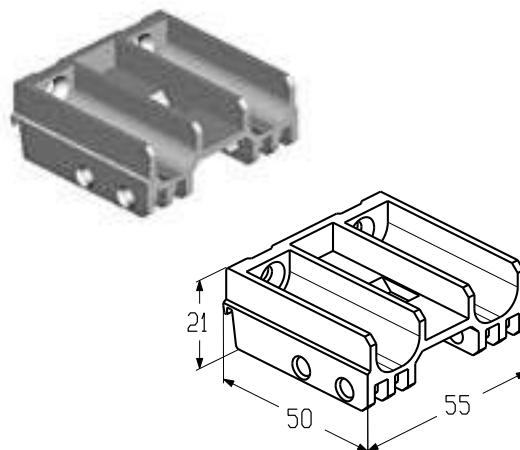
АЛЮМИНИЕВЫЕ ПРОФИЛИ ДЛЯ ПАНОРАМНЫХ ПАНЕЛЕЙ

Соединитель

Используется для изготовления панорамных панелей AluTherm.
Предназначен для соединения профиля воротного верхнего (PRD54, PRD55)
и профиля воротного бокового (PRD50).

Материал.....алюминий
Вес, кг/шт.....0,128
Единица измеренияшт.
Норма поставки, шт.....100

Арт.	Код	Розничная цена, евро с НДС
C1010	401190300	7,00

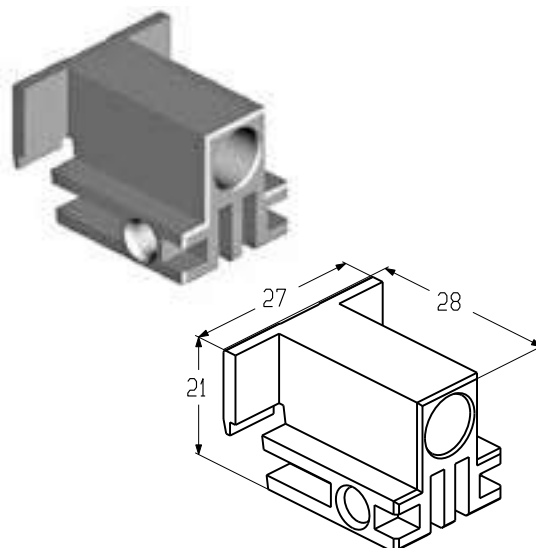


Соединитель

Используется для изготовления панорамных панелей AluTherm.
Предназначен для соединения профиля воротного верхнего (PRD54, PRD55)
и профиля воротного импоста (PRD51).

Материал.....алюминий
Вес, кг/шт.....0,03
Единица измеренияшт.
Норма поставки, шт.....400

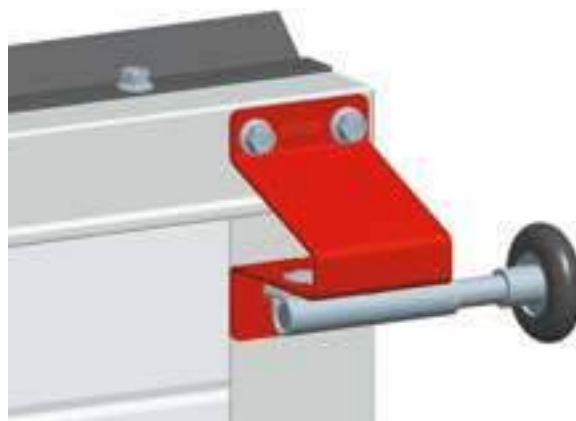
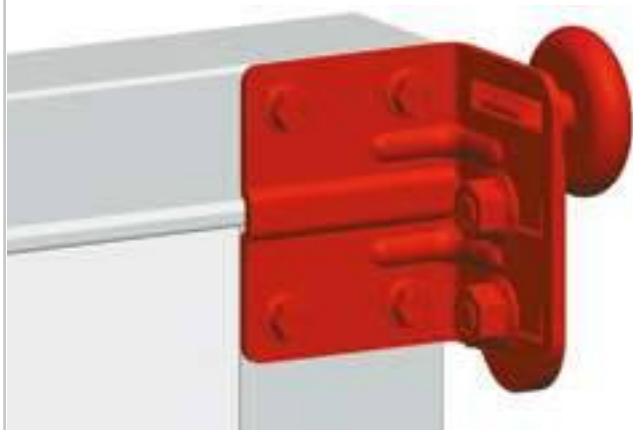
Арт.	Код	Розничная цена, евро с НДС
C1011	401190400	1,80



УСТАНОВКА КРОНШТЕЙНА ВЕРХНЕГО

Кронштейн верхний для гаражных и промышленных ворот

Кронштейн верхний для промышленных ворот



3.1

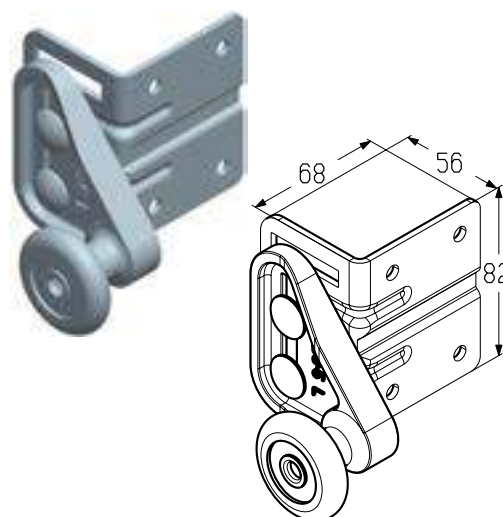
Кронштейн верхний

Предназначен для установки на верхнюю панель полотна ворот.
Используется:

- в гаражных воротах стандартного и низкого типов монтажа;
- в промышленных воротах низкого и наклонного низкого типов монтажа.

Материал нержавеющая сталь /алюминий
Вес, кг/шт.0,359
Единица измеренияшт.
Норма поставки, шт.30

Арт.	Код	Примечание	Ось ролика	Розничная цена, евро с НДС
RBG900L	401210000	Левый	Из оцинкованной стали	9,00
RBG900R	401210100	Правый		
RBG900L-SS	401210200	Левый	Из нержавеющей стали	11,00
RBG900R-SS	401210300	Правый		



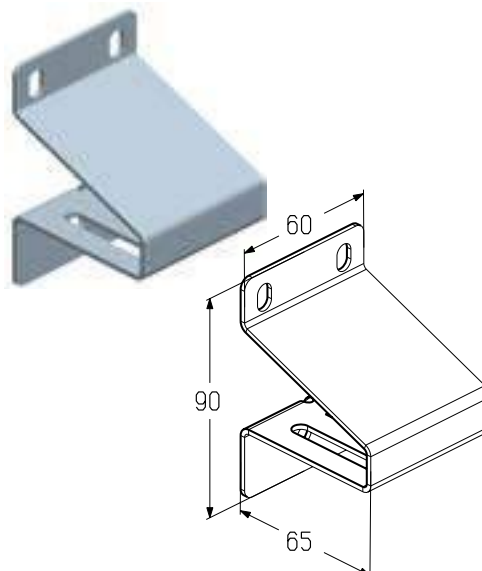
Кронштейн верхний

Предназначен для установки на верхнюю панель полотна ворот.
Используется:

- в гаражных воротах высокого типа монтажа;
- в промышленных воротах всех типов монтажа (кроме низких типов монтажа).

Материал нержавеющая сталь
Вес, кг/шт.0,15
Единица измеренияшт.
Норма поставки, шт.100

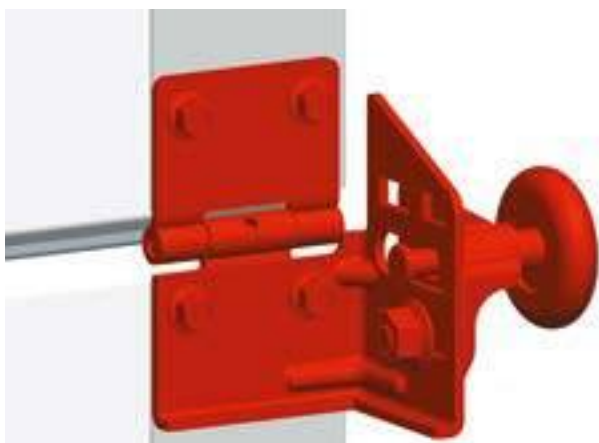
Арт.	Код	Розничная цена, евро с НДС
RB1125	401220900	4,00



КРОНШТЕЙНЫ И ПЕТЛИ ДЛЯ СБОРКИ ПОЛОТНА ВОРОТ

УСТАНОВКА КРОНШТЕЙНА БОКОВОГО

Кронштейн боковой для гаражных ворот



Кронштейн боковой для промышленных ворот

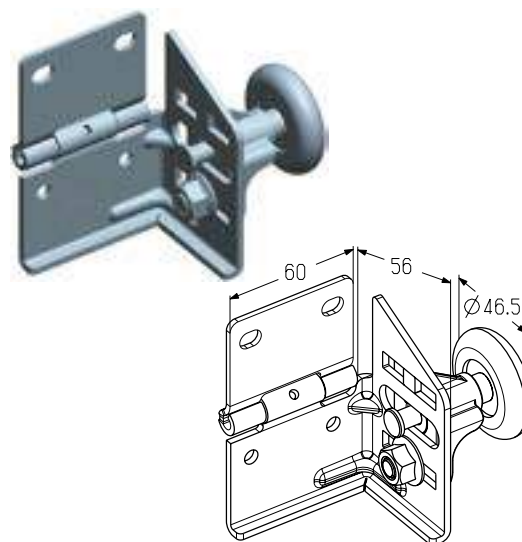


Кронштейн боковой

Предназначен для установки на промежуточные панели полотна ворот. Используется в гаражных воротах стандартного и низкого типов монтажа.

Материал нержавеющая сталь /алюминий
 Вес, кг/шт.....0,346
 Единица измеренияшт.
 Норма поставки, шт.....30

Арт.	Код	Примечание	Ось ролика	Розничная цена, евро с НДС
RBG700L	401220000	Левый	Из оцинкованной стали	9,00
RBG700R	401220100	Правый		9,00
RBG700L-SS	401220200	Левый	Из нержавеющей стали	11,00
RBG700R-SS	401220300	Правый		11,00



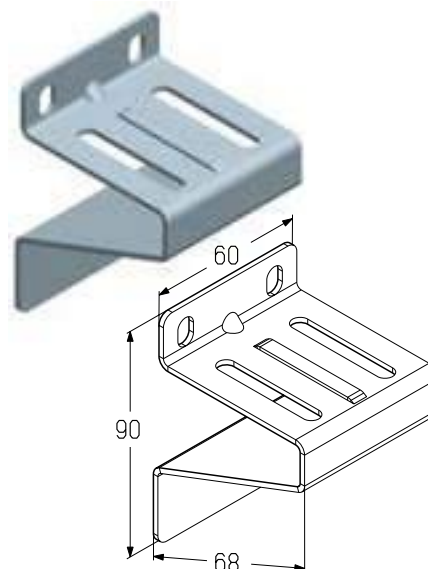
Кронштейн боковой

Предназначен для установки на промежуточную панель полотна ворот. Используется:

- в гаражных воротах высокого типа монтажа;
- в промышленных воротах всех типов монтажа.

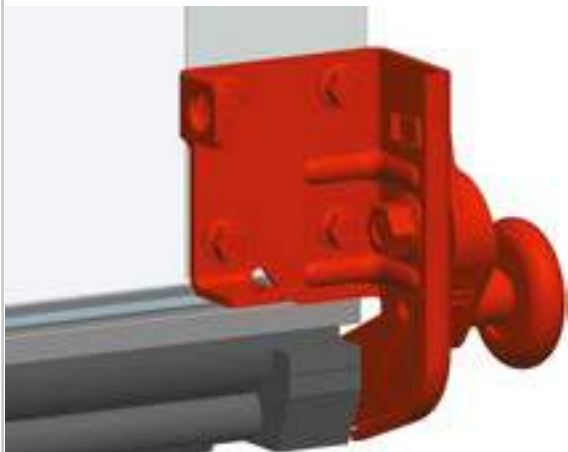
Материал нержавеющая сталь
 Вес, кг/шт.....0,154
 Единица измеренияшт.
 Норма поставки, шт.....145

Арт.	Код	Розничная цена, евро с НДС
RBI123	401220400	3,30

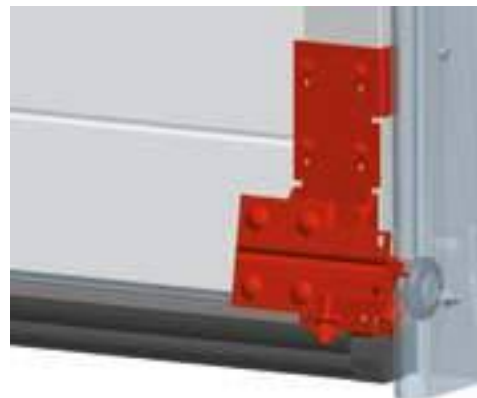


УСТАНОВКА КРОНШТЕЙНА НИЖНЕГО

Кронштейн нижний для гаражных ворот



Кронштейн нижний для промышленных ворот

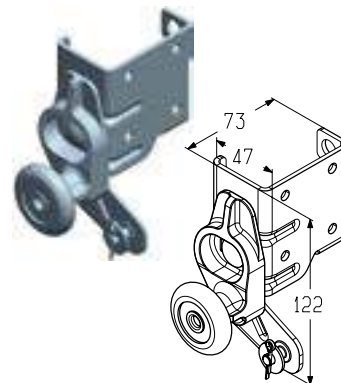


Кронштейн нижний левый, кронштейн нижний правый

Предназначен для установки на нижнюю панель полотна ворот.
Используется в гаражных воротах всех типов монтажа.

Материал.....нержавеющая сталь /алюминий
Вес, кг/шт.....0,419
Единица измеренияшт.
Норма поставки, шт.30

Арт.	Код	Примечание	Ось ролика	Розничная цена, евро с НДС
RBG100L	401231200	Левый	Из оцинкованной стали	11,00
RBG100R	401231300	Правый	Из оцинкованной стали	11,00
RBG100L-SS	401231400	Левый	Из нержавеющей стали	11,00
RBG100R-SS	401231500	Правый	Из нержавеющей стали	11,00

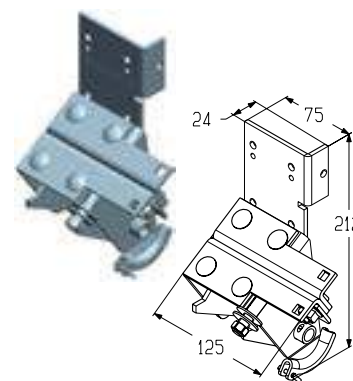


Кронштейн нижний

Предназначен для защиты от падения полотна промышленных ворот при обрыве троса. Устанавливается на нижнюю панель полотна ворот.
Используется в промышленных воротах всех типов монтажа.

Материал.....оцинкованная сталь
Вес, кг/шт.....1,76
Единица измеренияшт.
Норма поставки, шт.8

Арт.	Код	Примечание	Розничная цена, евро с НДС
RBI446L	401230400	Левый	26,00
RBI446R	401230500	Правый	26,00

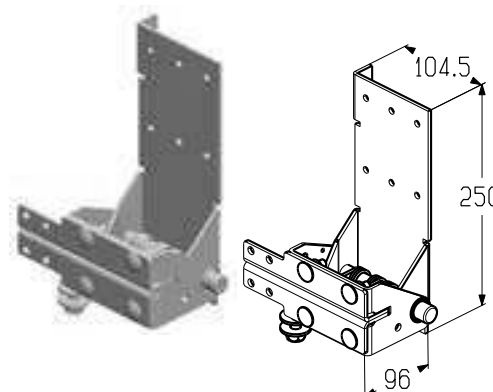


Кронштейн роликовый нижний

Предназначен для защиты от падения полотна промышленных ворот при обрыве троса. Устанавливается на нижнюю панель полотна ворот при ширине проема более 5 м. Используется в промышленных воротах всех типов монтажа.

Материал.....оцинкованная сталь
Вес, кг/шт.....2,56
Единица измерения.....шт.

Арт.	Код	Примечание	Розничная цена, евро с НДС
RBI-45.110DL	401233000	Левый	41,00
RBI-45.110DR	401233100	Правый	41,00



КРОНШТЕЙНЫ И ПЕТЛИ ДЛЯ СБОРКИ ПОЛОТНА ВОРОТ

УСТАНОВКА КРОНШТЕЙНА РОЛИКОВОГО НИЖНЕГО ДЛЯ ПРОМЫШЛЕННЫХ ВОРОТ

Кронштейн роликовый нижний (RBI-40.100L/R)



Кронштейн роликовый нижний (RBI-40.120L/R)



3.1

Кронштейн роликовый нижний

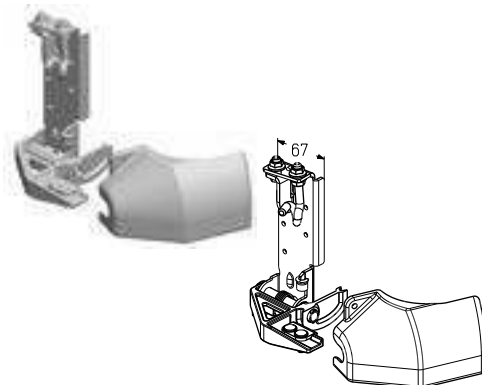
Предназначен:

- для защиты от падения полотна промышленных ворот при обрыве троса;
- для защиты промышленных ворот с навальным электроприводом от поддомкрачивания;
- обеспечивает возможность натяжения троса.

Устанавливается на нижнюю панель полотна ворот при ширине проема до 5 м или площадью полотна до 25 м². Используется в промышленных воротах всех типов монтажа.

Материал..... оцинкованная сталь
Вес, кг/шт..... 1,74
Единица измеренияшт.

Арт.	Код	Примечание	Розничная цена, евро с НДС
RBI-45.100L	402602000	Левый	42,00
RBI-45.100R	402602100	Правый	42,00



Кронштейн нижний

Предназначен:

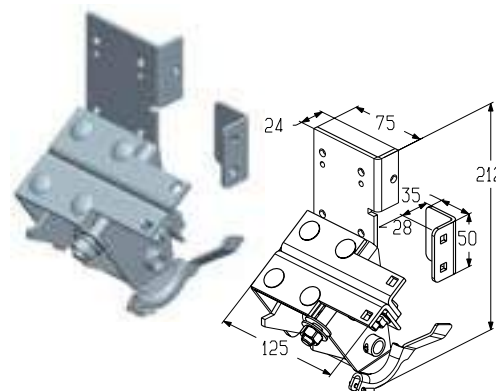
- для защиты от падения полотна промышленных ворот при обрыве троса;
- для защиты промышленных ворот с навальным электроприводом от поддомкрачивания.

Устанавливается на нижнюю панель полотна ворот.

Используется в промышленных автоматизированных воротах всех типов монтажа.

Материал..... оцинкованная сталь
Вес, кг/шт..... 1,76
Единица измеренияшт.
Норма поставки, шт. 8

Арт.	Код	Примечание	Розничная цена, евро с НДС
RBI446ML	401230600	Левый	29,00
RBI446MR	401230700	Правый	29,00



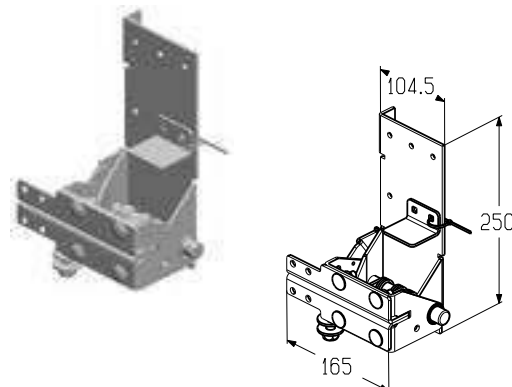
Кронштейн роликовый нижний

Предназначен:

- для защиты от падения полотна промышленных ворот при обрыве троса;
 - для защиты промышленных ворот с навальным электроприводом от поддомкрачивания;
- Устанавливается на нижнюю панель полотна ворот при ширине проема более 5 м. Используется в промышленных автоматизированных воротах всех типов монтажа.

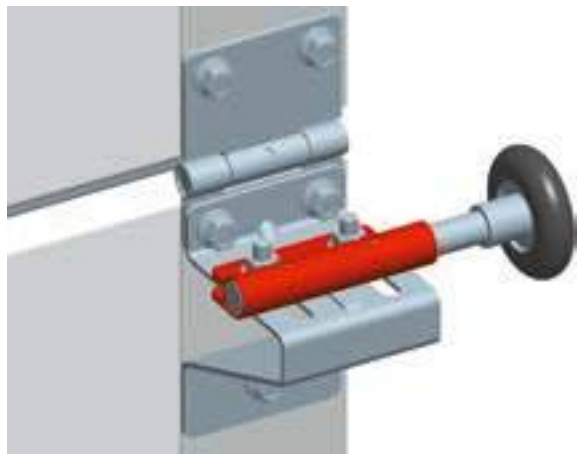
Материал..... оцинкованная сталь
Вес, кг/шт..... 2,56
Единица измеренияшт.

Арт.	Код	Примечание	Розничная цена, евро с НДС
RBI-45.120DL	401234000	Левый	46,00
RBI-45.120DR	401234100	Правый	46,00

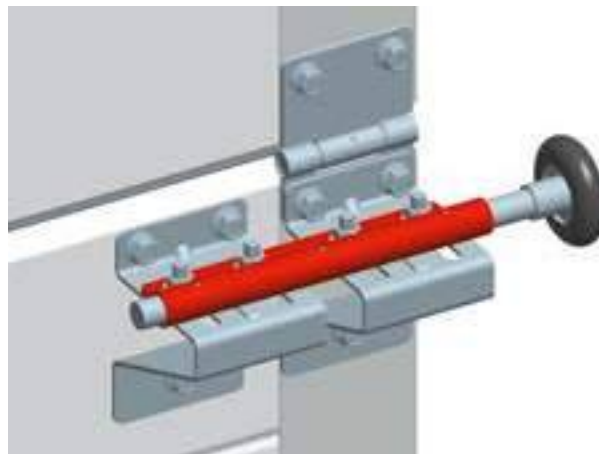


УСТАНОВКА НАКЛАДКИ РОЛИКОВОЙ

Накладка роликовая



Накладка роликовая дуплексная



Накладка роликовая

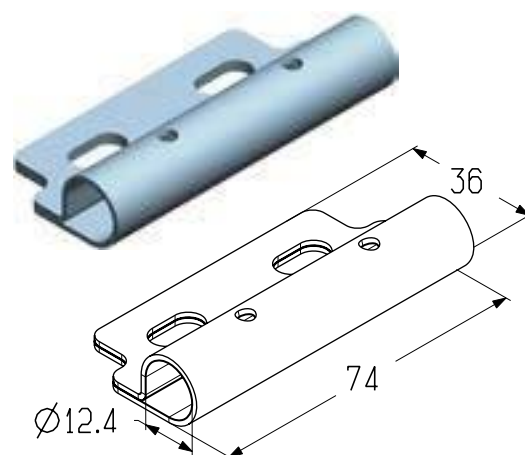
Предназначена для установки ролика ходового (R-130-12-G, R-130-12-SS) на кронштейн боковой (RBI123) на промежуточные панели полотна ворот.

Используется:

- в гаражных воротах высокого типа монтажа;
- в промышленных воротах всех типов монтажа.

Материал..... нержавеющая сталь
 Вес, кг/шт. 0,048
 Единица измерения..... шт.
 Норма поставки, шт..... 400

Арт.	Код	Розничная цена, евро с НДС
RP112	401240000	1,30



Накладка роликовая

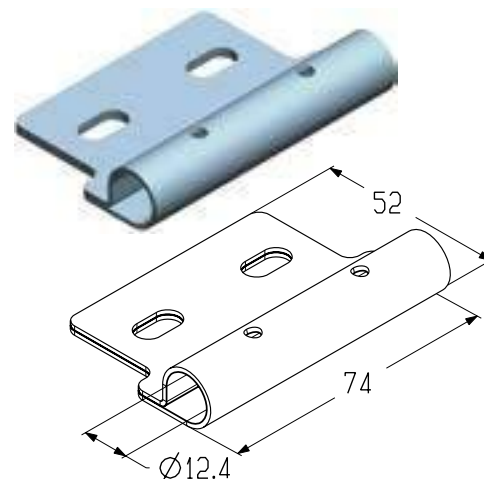
Предназначена для установки ролика ходового (R-130-12-G, R-130-12-SS) на кронштейн боковой (RBI123) на верхнюю панель полотна ворот.

Используется:

- в гаражных воротах высокого типа монтажа;
- в промышленных воротах всех типов монтажа.

Материал..... нержавеющая сталь
 Вес, кг/шт. 0,06
 Единица измерения..... шт.
 Норма поставки, шт..... 100

Арт.	Код	Розничная цена, евро с НДС
RP113	401240100	1,60



КРОНШТЕЙНЫ И ПЕТЛИ ДЛЯ СБОРКИ ПОЛОТНА ВОРОТ

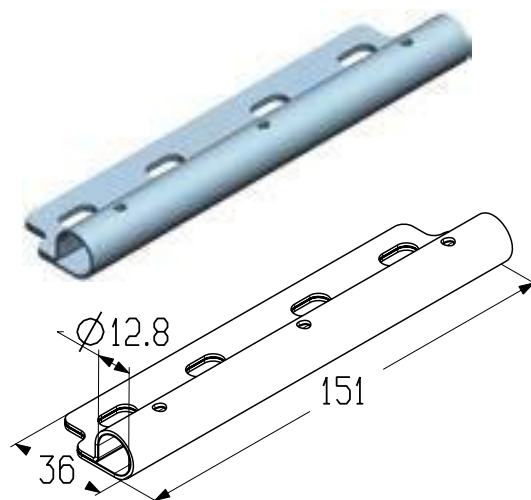
Накладка роликовая дуплексная промежуточная

Предназначена для установки ролика ходового (R-205-12-G, R-205-12-SS) на двойной кронштейн боковой (RBI123) на промежуточные панели полотна ворот.

Используется в промышленных воротах всех типов монтажа шириной более 5 м.

Материал нержавеющая сталь
Вес, кг/шт. 0,102
Единица измерения шт.
Норма поставки, шт. 250

Арт.	Код	Розничная цена, евро с НДС
RP121	401240200	2,50



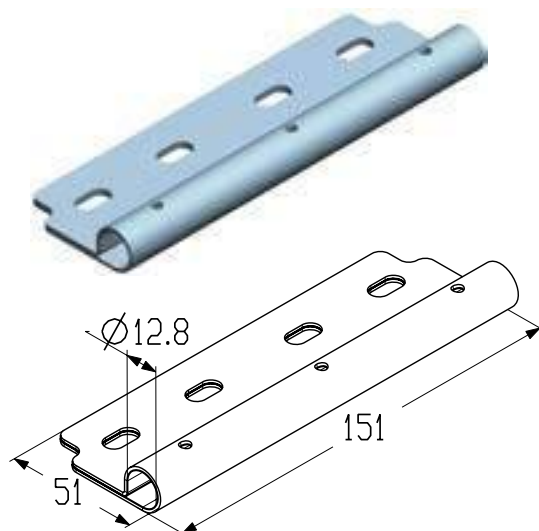
Накладка роликовая дуплексная верхняя

Предназначена для установки ролика ходового (R-205-12-G, R-205-12-SS) на двойной кронштейн боковой (RBI123) на верхнюю панель полотна ворот.

Используется в промышленных воротах всех типов монтажа шириной более 5 м.

Материал нержавеющая сталь
Вес, кг/шт. 0,15
Единица измерения шт.
Норма поставки, шт. 200

Арт.	Код	Розничная цена, евро с НДС
RP122	401240300	3,50

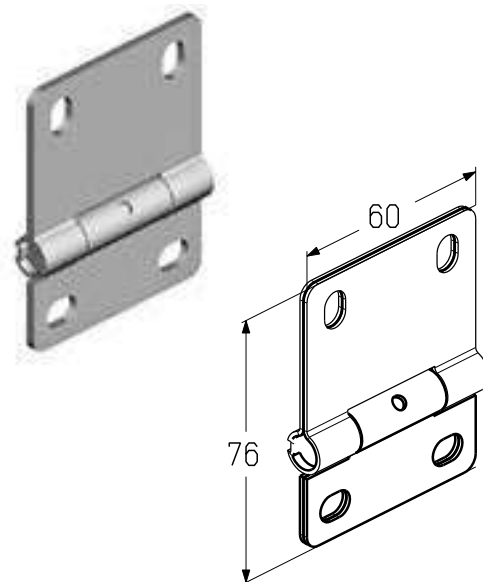


Петля промежуточная

Предназначена для соединения сэндвич-панелей полотна ворот. Используется в гаражных и промышленных воротах всех типов монтажа без усиливающего профиля (PRG-19).

Материал нержавеющая сталь
Вес, кг/шт. 0,111
Единица измерения шт.
Норма поставки, шт. 288

Арт.	Код	Розничная цена, евро с НДС
IN113	401190500	3,00



КРОНШТЕЙНЫ И ПЕТЛИ ДЛЯ СБОРКИ ПОЛОТНА ВОРОТ
Петля промежуточная

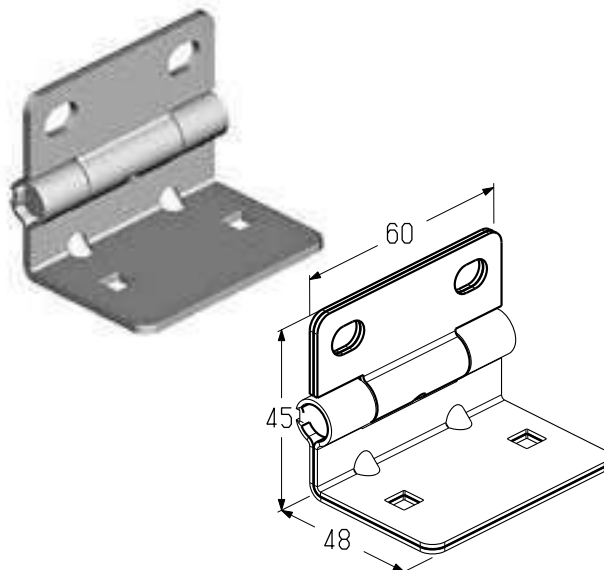
Предназначена для соединения сэндвич-панелей полотна ворот.
Используется в гаражных и промышленных воротах всех типов монтажа совместно с профилем усиливающим (PRG-19).

Предназначена для соединения панорамных панелей серии AluPro и AluTherm.
Устанавливается совместно:

- с профилем воротным (PRD43, PRD53) на ворота шириной от 4 м до 5 м;
- с профилем усиливающим PRG20 на ворота шириной свыше 5 м.

Материал..... нержавеющая сталь
Вес, кг/шт..... 0,11
Единица измеренияшт.
Норма поставки, шт. 300

Арт.	Код	Розничная цена, евро с НДС
ИН111	401190100	3,00

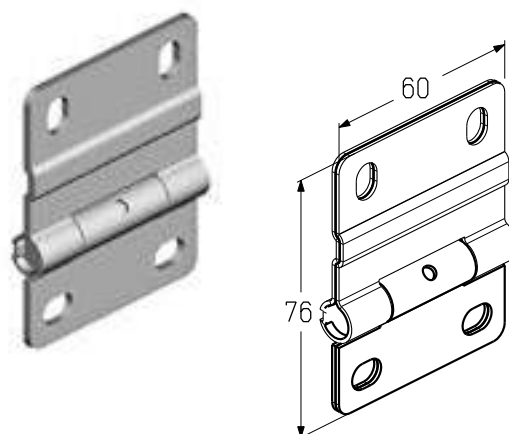

Петля промежуточная

Предназначена для соединения панорамных панелей серий AluPro и AluTherm.
Устанавливается совместно с кронштейном боковым (RBI123) и профилем воротным (PRD43, PRD53).

Используется в гаражных воротах высокого типа монтажа шириной от 4 м до 5 м.

Материал..... нержавеющая сталь
Вес, кг/шт..... 0,11
Единица измеренияшт.
Норма поставки, шт. 288

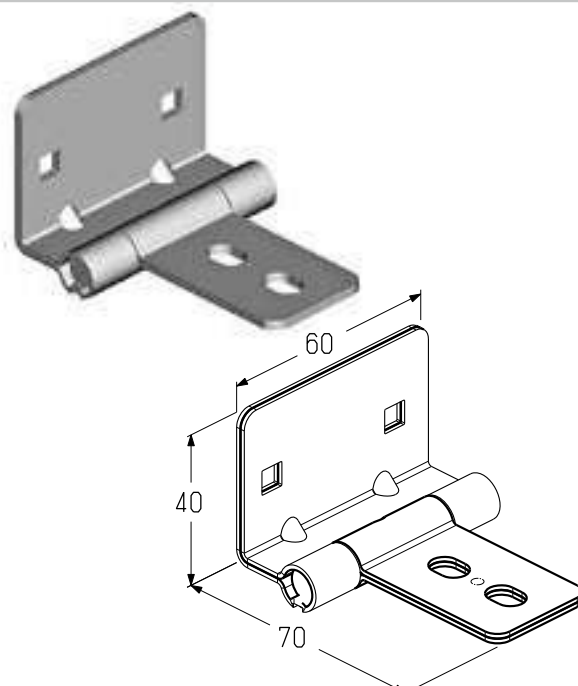
Арт.	Код	Розничная цена, евро с НДС
ИН-114	401190600	3,00


Петля промежуточная

Предназначена для соединения панорамных панелей серий AluLine.

Материал..... нержавеющая сталь
Вес, кг/шт..... 0,115
Единица измерения шт.
Норма поставки, шт. 300

Арт.	Код	Розничная цена, евро с НДС
ИН112	401190200	4,00



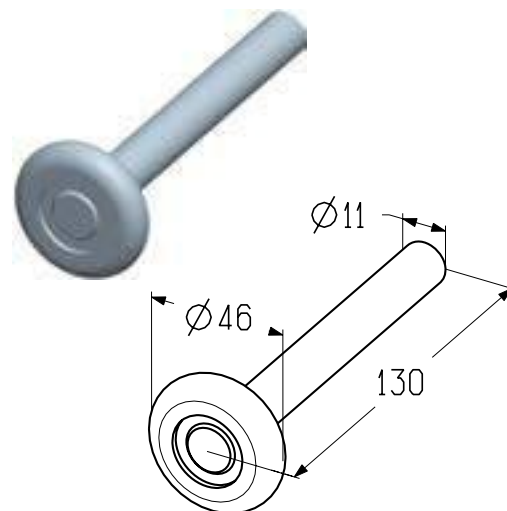
РОЛИКИ ХОДОВЫЕ

Ролик ходовой

Предназначен для установки в кронштейн нижний (RBI446L/R, RBI446ML/R).
Используется в промышленных воротах всех типов монтажа.

Диаметр оси, мм..... 11
Длина ролика, мм..... 130
Единица измеренияшт.
Норма поставки, шт..... 100

Арт.	Код	Вес, кг/шт.	Ось ролика	
R-130-11-G	401920000	0,143	Из оцинкованной стали	2,50
R-130-11-SS	401920100	0,146	Из нержавеющей стали	13,00



Ролик ходовой

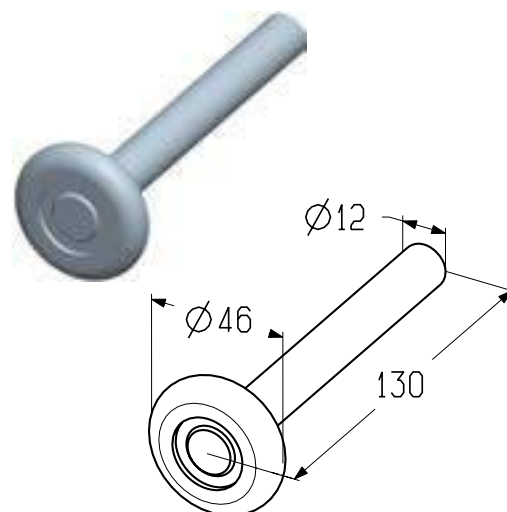
Предназначен для установки в накладку роликовую (RP112, RP113) на кронштейн боковой (RBI123).

Используется:

- в гаражных воротах высокого типа монтажа;
- в промышленных воротах всех типов монтажа.

Диаметр оси, мм..... 12
Длина ролика, мм..... 130
Единица измеренияшт.
Норма поставки, шт..... 100

Арт.	Код	Вес, кг/шт.	Ось ролика	Розничная цена, евро с НДС
R-130-12-G	401920200	0,156	Из оцинкованной стали	2,50
R-130-12-SS	401920300	0,168	Из нержавеющей стали	12,00



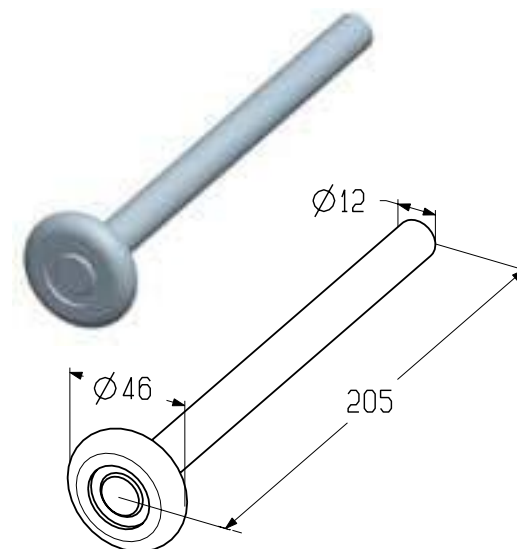
Ролик ходовой

Предназначен для установки в накладку роликовую (RP121, RP122) на двойной кронштейн боковой (RBI123).

Используется в промышленных воротах всех типов монтажа шириной более 5 м.

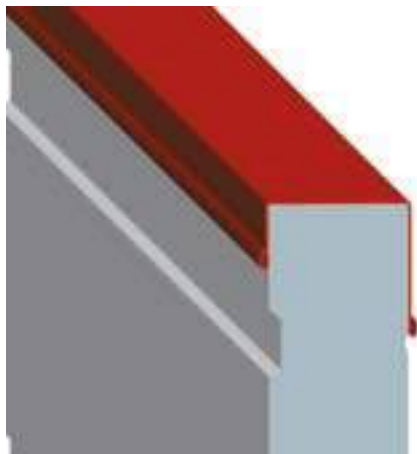
Диаметр оси, мм..... 12
Длина ролика, мм..... 205
Единица измеренияшт.
Норма поставки, шт..... 100

Арт.	Код	Вес, кг/шт.	Ось ролика	Розничная цена, евро с НДС
R-205-12-G	401920400	0,224	Из оцинкованной стали	3,00
R-205-12-SS	401920500	0,228	Из нержавеющей стали	15,00



УСТАНОВКА ПРОФИЛЯ КОНЦЕВОГО ВЕРХНЕГО

Профиль концевой верхний (арт. PRG-14)



Профиль концевой верхний (арт. PRG-15)



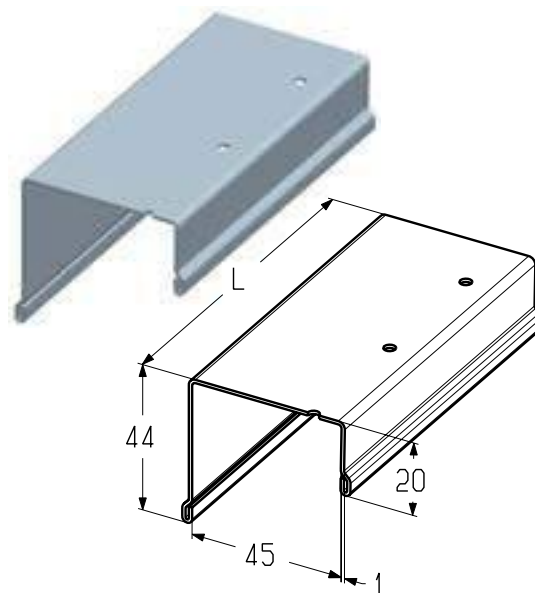
3.1

Профиль концевой (верхний)

Предназначен для установки на верхнюю панель полотна ворот.
Используется в гаражных и промышленных воротах всех типов монтажа.

Материал.....оцинкованная сталь
Покрытие.....полимерное
Цвет.....бело-серый (близкий RAL 9002)
Вес, кг/м.....0,95
Единица измерения.....м

Арт.	Код	Длина, мм	Норма поставки, м	Розничная цена, евро с НДС
PRG-14	401411310	5720	823,68	7,60
		7040	1031,76	

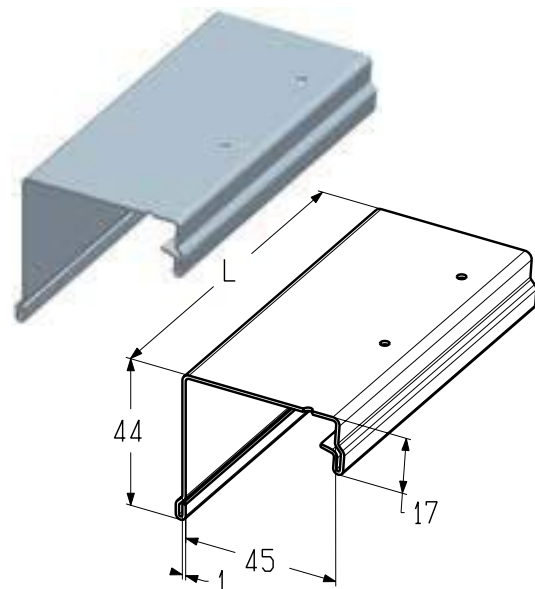


Профиль концевой (верхний)

Предназначен для установки на верхнюю панель полотна ворот.
Используется в гаражных и промышленных воротах всех типов монтажа.
Устанавливается на сэндвич-панель с горизонтальным гофром в том случае, если подрезка панели попадает на паз.

Материал.....оцинкованная сталь
Покрытие.....полимерное
Цвет.....бело-серый (близкий RAL 9002)
Вес, кг/м.....0,95
Единица измерения.....м

Арт.	Код	Длина, мм	Норма поставки, м	Розничная цена, евро с НДС
PRG-15	401411410	5720	915,20	7,60
		7040	1126,40	



ПРОФИЛИ ДЛЯ ПОЛОТНА ВОРОТ

УСТАНОВКА ПРОФИЛЯ КОНЦЕВОГО НИЖНЕГО

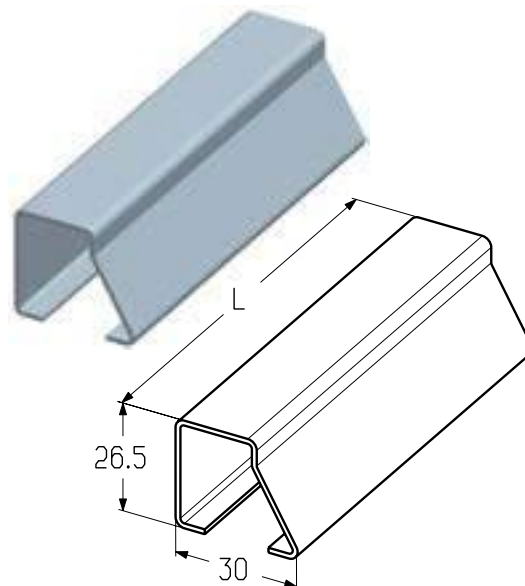


Профиль концевой (нижний)

Предназначен для установки в нижнюю панель полотна ворот.
Используется в гаражных и промышленных воротах всех типов монтажа.

Материал.....оцинкованная сталь
Вес, кг/м 0,74
Единица измерения.....м

Арт.	Код	Длина, мм	Норма поставки, м	Розничная цена, евро с НДС
PRG-11	401411000	5700	45,60	4,00
		7040	56,32	



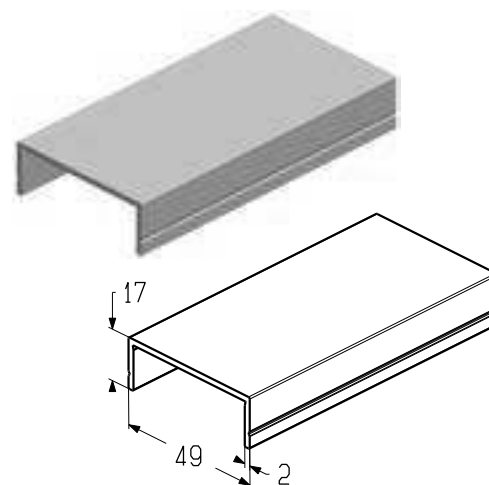
УСТАНОВКА ФАЛЬШПАНЕЛИ

3.1
Профиль воротный

Предназначен для изготовления фальшпанели.
Используется в гаражных и промышленных всех типов монтажа.

Длина, мм.....6000
 Материал..... алюминий
 Вес, кг/м..... 0,42
 Единица измерения.....м
 Норма поставки, м72

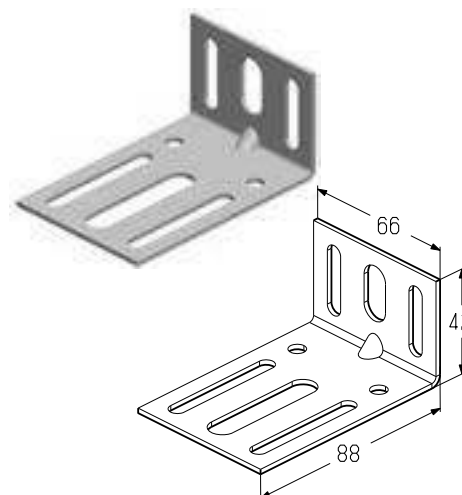
Арт.	Код	Покрытие	Цвет	Розничная цена, евро с НДС
PRD19S-6000	401420400	Анодированное	A00-D6 (серебро)	9,50
PRD19S	401420033	Порошковое	Близкий RAL 8019	9,50


Кронштейн

Предназначен для крепления фальшпанели к верхней перемычке высотой до 65 мм.
Используется в гаражных и промышленных всех типов монтажа.

Материал..... оцинкованная сталь
 Вес, кг/шт.....0,092
 Единица измерения.....шт.
 Норма поставки, шт..... 200

Арт.	Код	Розничная цена, евро с НДС
FPB5007	401820100	2,50



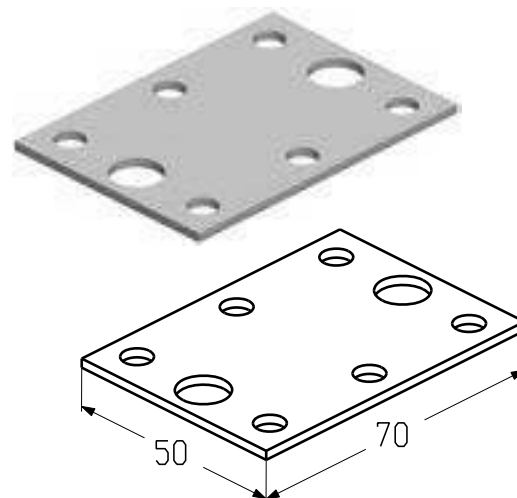
ПРОФИЛИ ДЛЯ ПОЛОТНА ВОРОТ

Пластина

Предназначена для крепления фальшпанели к верхней перемычке высотой свыше 65 мм и боковым стенкам проема.
Используется в гаражных и промышленных всех типов монтажа.

Материал оцинкованная сталь
Вес, кг/шт.....0,049
Единица измерения шт.
Норма поставки, шт. 300

Арт.	Код	Розничная цена, евро с НДС
FPP5008	401830100	2,00

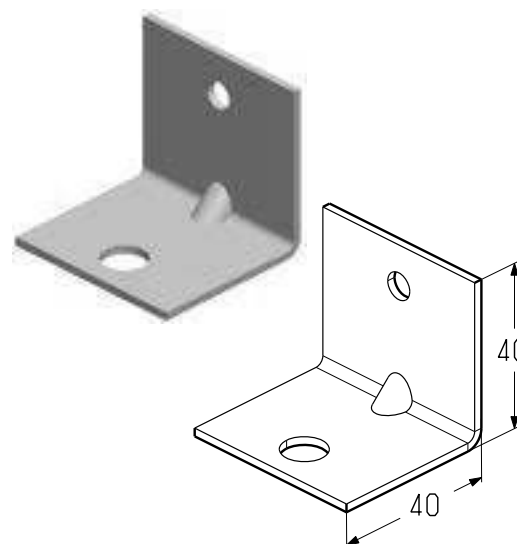


Кронштейн

Предназначен для крепления фальшпанели к боковым стенкам проема.
Используется в гаражных и промышленных всех типов монтажа.

Материал оцинкованная сталь
Вес, кг/шт.....0,053
Единица измерения шт.
Норма поставки, шт. 300

Арт.	Код	Розничная цена, евро с НДС
FPB5009	401820200	1,45



Кронштейн

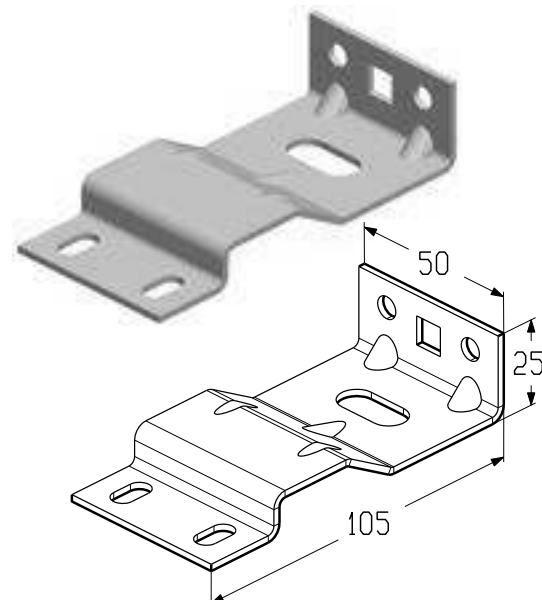
Предназначен для крепления фальшпанели к боковым стенкам проема.
Устанавливается совместно с угловым профилем (PRG32H, PRG02H, PRG01).

Используется:

- в гаражных воротах высокого типа монтажа;
- в промышленных воротах высоких и вертикальных типов монтажа.

Материал оцинкованная сталь
Вес, кг/шт.....0,101
Единица измерения шт.
Норма поставки, шт. 160

Арт.	Код	Розничная цена, евро с НДС
FPB5010	401820300	3,60



УСТАНОВКА ПРОФИЛЯ УСИЛИВАЮЩЕГО



3.1

Профиль усиливающий

Используется в гаражных воротах:

- стандартного и низкого типа монтажа шириной свыше 5 м;
- высокого типа монтажа шириной свыше 4,5 м.

Используется в промышленных воротах:

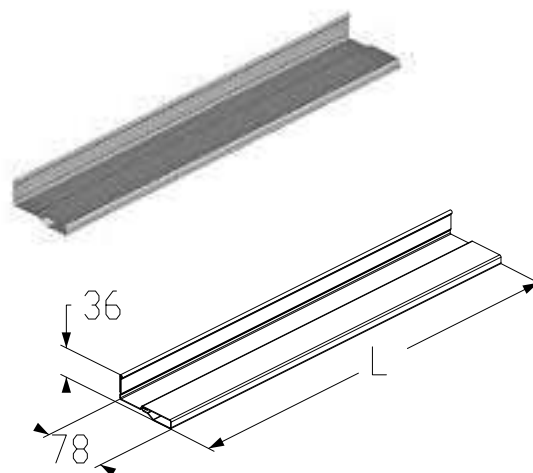
- всех типов монтажа (кроме высоких и вертикальных) шириной свыше 5м;
- высоких и вертикальных типах монтажа шириной свыше 4,5 м.

Материал оцинкованная сталь

Вес, кг/м 1,52

Единица измерения м

Арт.	Код	Длина, мм	Норма поставки, м	Розничная цена, евро с НДС
PRG-19-4290	401436200	4290	686,4	14,00
PRG-19-4950	401436400	4950	792,0	
PRG-19-5610	401436600	5610	897,6	
PRG-19-6600	401436900	6600	1056,0	



Профиль усиливающий

Используется в гаражных воротах с торсионными пружинами с панорамным остеклением (серия ПО) шириной свыше 5 м.

Используется в промышленных воротах с панорамным остеклением (серий АЛП, АЛПС, ПО):

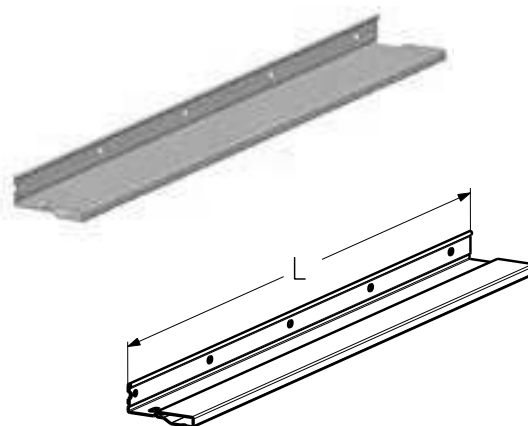
- всех типов монтажа (кроме высоких и вертикальных) шириной свыше 5 м;
- высоких и вертикальных типах монтажа шириной свыше 4,5 м.

Материал оцинкованная сталь

Вес, кг/м 1,52

Единица измерения м

Арт.	Код	Длина, мм	Норма поставки, м
PRG-20-4290	401437100	4290	686,4
PRG-20-4950	401437300	4950	792,0
PRG-20-5610	401437500	5610	897,6
PRG-20-6600	401437800	6600	1056,0



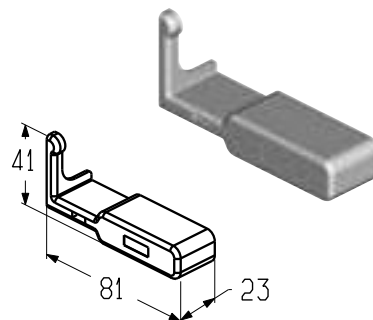
ПРОФИЛИ ДЛЯ ПОЛОТНА ВОРОТ

Заглушка

Устанавливается совместно с профилем усиливающим (PRG-19).

Материал.....ABS
 Вес, кг/м 0,01
 Единица измеренияшт.
 Норма поставки, шт. 630

Арт.	Код	Примечание	Розничная цена, евро с НДС
P19R	401530500	Левая	0,60
P19L	401530400	Правая	



3.1

УСТАНОВКА ВСТАВКИ УПЛОТНИТЕЛЬНОЙ

Вставка уплотнительная нижняя



Вставка уплотнительная верхняя



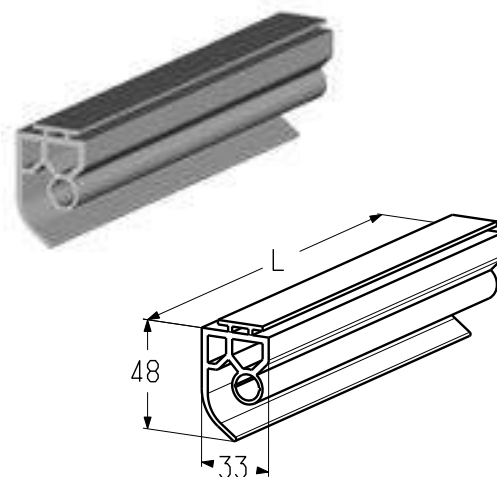
3.1

Вставка уплотнительная (нижняя)

Предназначена для герметизации нижней части проема.
Устанавливается в профиль концевой нижней (PRG-11).
Используется в гаражных и промышленных воротах всех типов монтажа.

Материал.....EPDM
Вес, кг/м.....0,39
Единица измерения.....м
Норма поставки, м.....55

Арт.	Код	Розничная цена, евро с НДС
RSB10	401510600	8,30



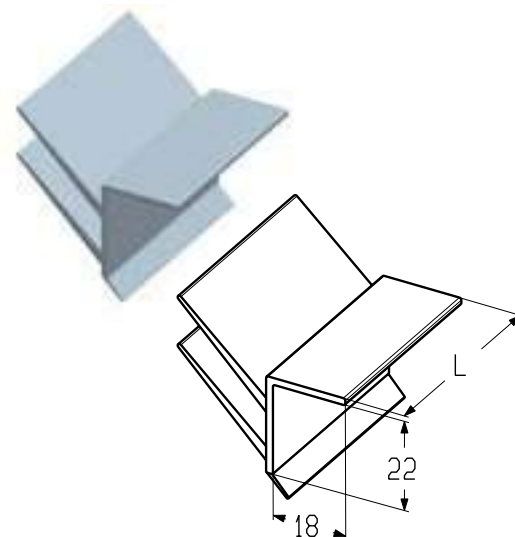
Вставка уплотнительная (верхняя)

Предназначена для герметизации верхней части проема.
Устанавливается совместно с профилем концевым верхним (PRG14, PRG15).
Используется:

- в гаражных воротах высокого типа монтажа;
- в промышленных воротах всех типов монтажа.

Материал.....RPVC + TPE
Вес, кг/м.....0,30
Единица измерения.....м
Норма поставки, м.....180

Арт.	Код	Розничная цена, евро с НДС
RST01	401520100	8,50



АКСЕССУАРЫ ДЛЯ СЕКЦИОННЫХ ВОРОТ

УСТАНОВКА РУЧКИ ДЛЯ ГАРАЖНЫХ ВОРОТ

Внешняя сторона

Внутренняя сторона



Ручка

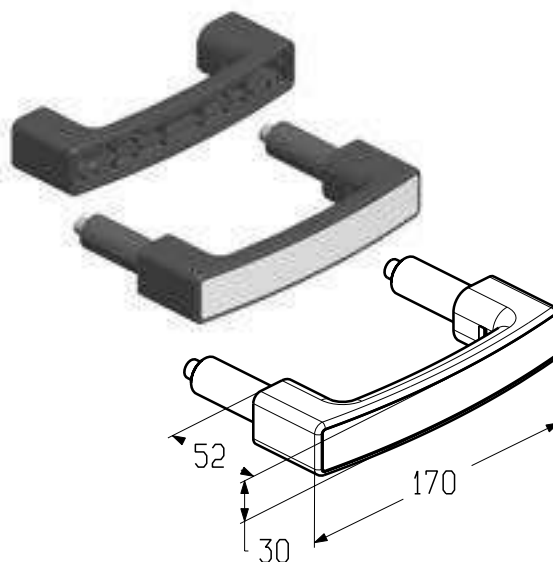
Предназначена для подъема полотна гаражных ворот всех типов монтажа.

В комплект входит:

- двухсторонняя ручка;
- крышка для внутренней ручки, цвет близкий к RAL 9002.

Материалполиамид
 Цветчерный
 Вес, кг/м 0,23
 Единица измеренияшт.
 Норма поставки, шт. 1

Арт.	Код	Розничная цена, евро с НДС
HGI006	407410100	16,00

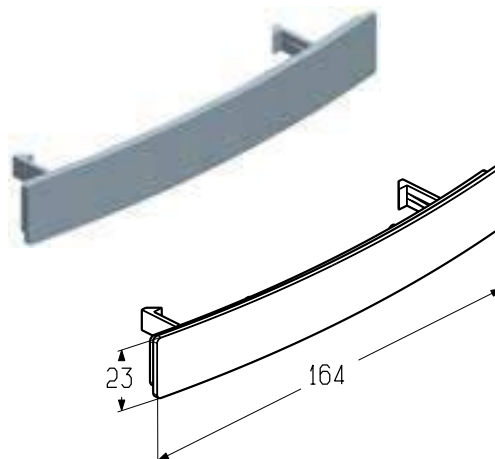


Крышка

Используется совместно с ручкой (HGI006).

МатериалABS
 Вес, кг/м 0,01
 Единица измеренияшт.
 Норма поставки, шт. 400

Арт.	Код	Цвет*	Розничная цена, евро с НДС
HGI006.002.01	407430000	RAL 9016	0,90
HGI006.002.02	407430100	RAL 8014	
HGI006.002.03	407430200	RAL 9006	
HGI006.002.04	407430300	RAL 5010	
HGI006.002.09	407430400	RAL 6005	
HGI006.002.10	407430500	RAL 1015	
HGI006.002.12	407430600	RAL 3004	
HGI006.002.15	407430700	RAL 9002	
HGI006.002.16	407430800	RAL 7016	
HGI006.002.17	407430900	RAL 8017	
HGI006.002.18	407431000	RAL 9005	



* Указанные цвета имеют близкое соответствие шкале RAL

УСТАНОВКА РУЧКИ ДЛЯ СЕКЦИОННЫХ ВОРОТ

Ручка HG008



Внешняя сторона

Ручка HGI007



Внешняя сторона



Внутренняя сторона

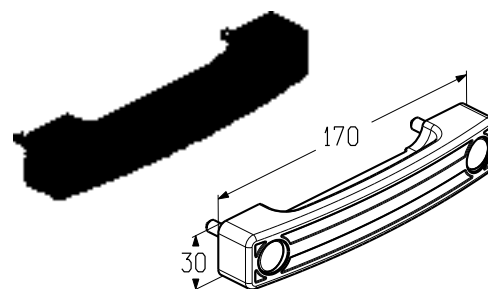
3.1

Ручка

Предназначена для подъема полотна гаражных ворот всех типов монтажа без встроенной калитки.
Устанавливается с внутренней стороны ворот.

Материал..... ABC
Цвет..... черный
Вес, кг/шт..... 0,082
Единица измерения шт.
Норма поставки, шт..... 1

Арт.	Код	Розничная цена, евро с НДС
HG008	407410300	3,30

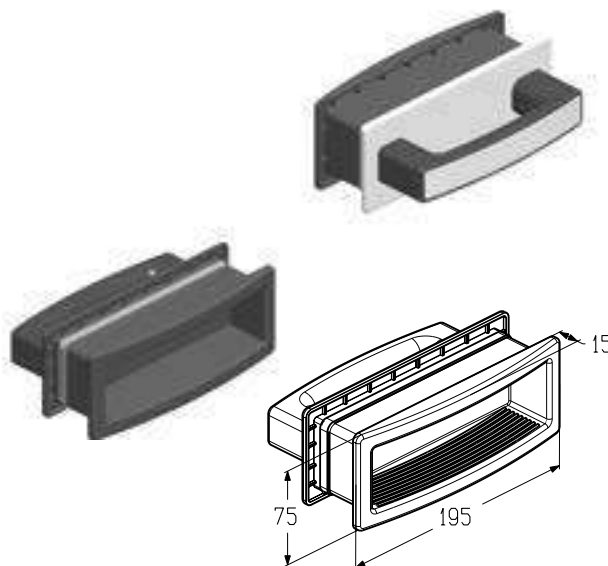


Ручка

Предназначена для подъема полотна промышленных ворот всех типов монтажа.

Материал полипропилен
Цвет черный
Вес, кг/м..... 0,59
Единица измерения шт.
Норма поставки, шт..... 1

Арт.	Код	Розничная цена, евро с НДС
HGI007	407410200	26,50



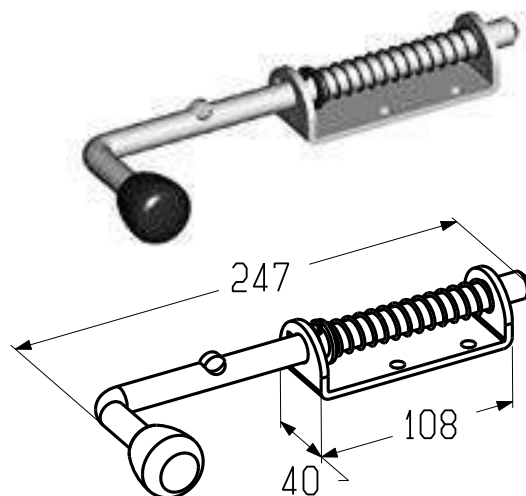
АКСЕССУАРЫ ДЛЯ СЕКЦИОННЫХ ВОРОТ

Засов

Предназначен для запираения гаражных и промышленных ворот всех типов монтажа.

Материал.....оцинкованная сталь
 Вес, кг/шт.....0,506
 Единица измеренияшт.
 Норма поставки, шт.....20

Арт.	Код	Розничная цена, евро с НДС
SB0100	401960000	7,10



Комплект механизма разблокировки

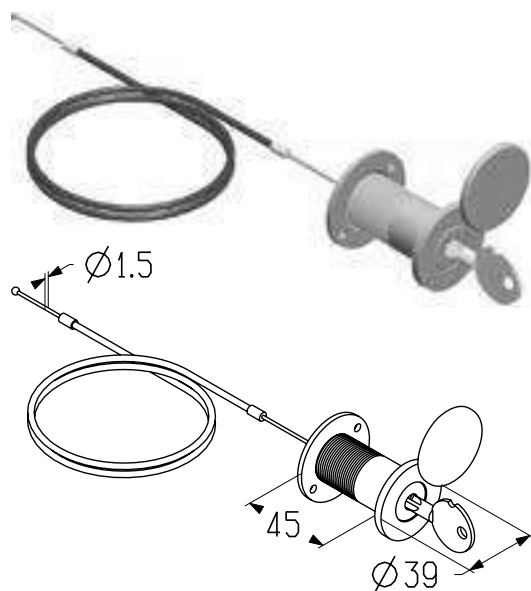
Предназначен для разблокировки электропривода реечного типа.

Используется:

- в гаражных воротах всех типов монтажа;
- в промышленных воротах низких типов монтажа.

Единица измеренияшт.
 Длина троса, мм4500
 Вес, кг/шт.....0,52
 Норма поставки, шт.....4

Арт.	Код	Розничная цена, евро с НДС
RM0104-4500	401971800	23,05



Трос разблокировки

Предназначен для разблокировки электропривода реечного типа. Используется совместно с ригельным замком RLG003.

В комплект входит:

- трос разблокировки;
- комплект крепежа (винты самонарезающие, скобы, хомуты).

Единица измеренияшт.
 Норма поставки, шт.....1

Арт.	Код	Длина, мм	Вес, кг/шт.	Розничная цена, евро с НДС
RK-4500	401971600	4500	0,56	16,90
RK-6000	401971700	6000	0,65	20,00



УСТАНОВКА УСТРОЙСТВА ЗАПИРАЮЩЕГО ДЛЯ ГАРАЖНЫХ ВОРОТ
Внешняя сторона
Внутренняя сторона

Устройство запирающее

Предназначено для запирания гаражных ворот.

В комплект входит:

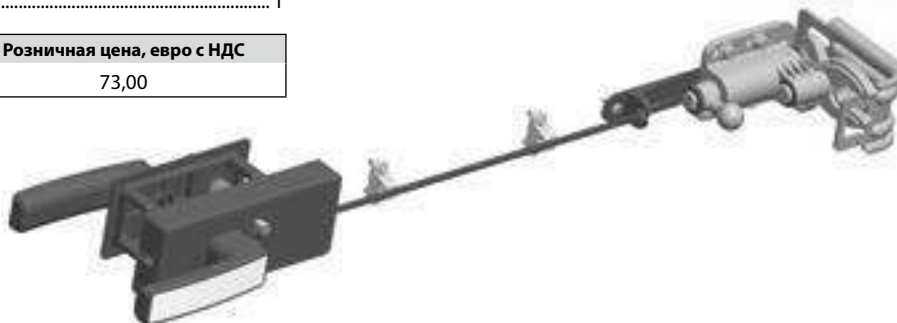
- устройство запирающее;
- крышка для внутренней ручки, цвет близкий RAL 9002.

Вес, кг/шт.2,8

Единица измеренияшт.

Норма поставки, шт. 1

Арт.	Код	Розничная цена, евро с НДС
RLG003	407210000	73,00


Крышка

Используется совместно с устройством запирающим (RLG003).

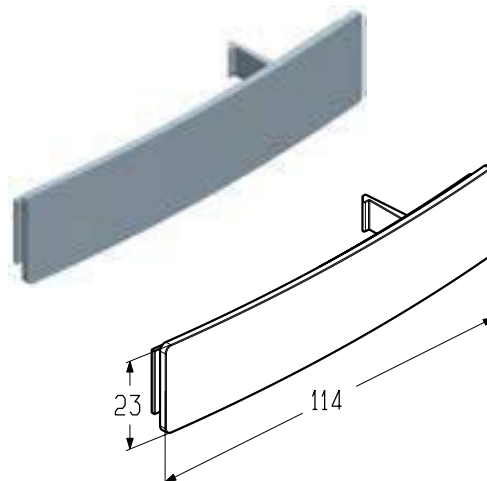
МатериалABS

Вес, кг/м0,01

Единица измеренияшт.

Норма поставки, шт.1000

Арт.	Код	Цвет*	Розничная цена, евро с НДС
RLG003.226.01	407230000	RAL 9016	0,75
RLG003.226.02	407230100	RAL 8014	
RLG003.226.03	407230200	RAL 9006	
RLG003.226.04	407230300	RAL 5010	
RLG003.226.09	407230400	RAL 6005	
RLG003.226.10	407230500	RAL 1015	
RLG003.226.12	407230600	RAL 3004	
RLG003.226.15	407230700	RAL 9002	
RLG003.226.16	407230800	RAL 7016	
RLG003.226.17	407230900	RAL 8017	
RLG003.226.18	407231000	RAL 9005	



* Указанные цвета имеют близкое соответствие шкале RAL

АКСЕССУАРЫ ДЛЯ СЕКЦИОННЫХ ВОРОТ

УСТАНОВКА ЗАМКА РИГЕЛЬНОГО ДЛЯ ПРОМЫШЛЕННЫХ ВОРОТ

Внешняя сторона



Внутренняя сторона

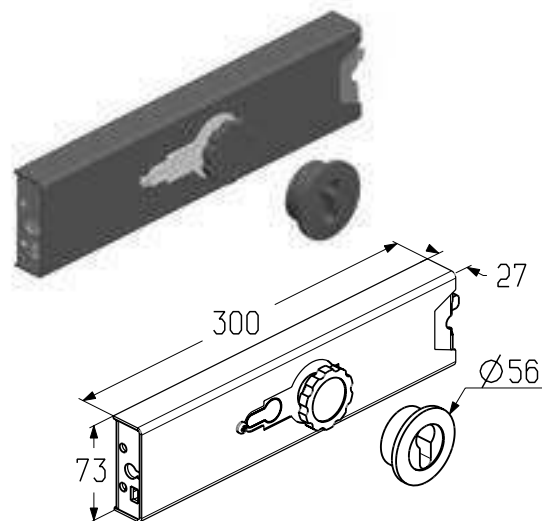


Замок ригельный

Предназначен для запираения промышленных ворот всех типов монтажа. Используется совместно с цилиндрическим механизмом 9/57 мм (С-9/57).

Вес, кг/шт. 1,85
Единица измерения шт.
Норма поставки, шт. 3

Арт.	Код	Розничная цена, евро с НДС
RLI0103	401970600	106,15

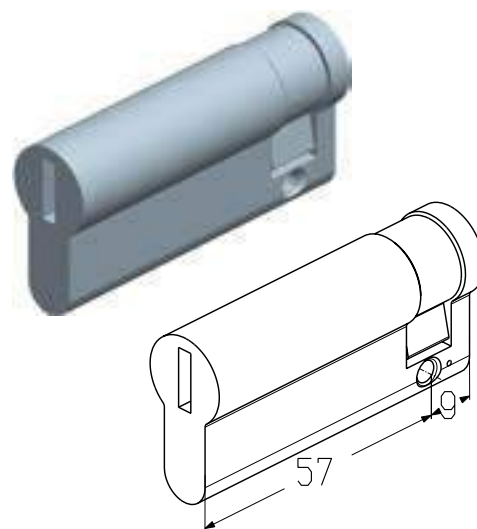


Цилиндрический механизм 9/57 мм

Предназначен для запираения промышленных ворот всех типов монтажа. Используется совместно с замком ригельным (RLI0103).

Вес, кг/шт. 0,25
Единица измерения шт.
Норма поставки, шт. 3

Арт.	Код	Розничная цена, евро с НДС
С-9/57	401970700	9,20



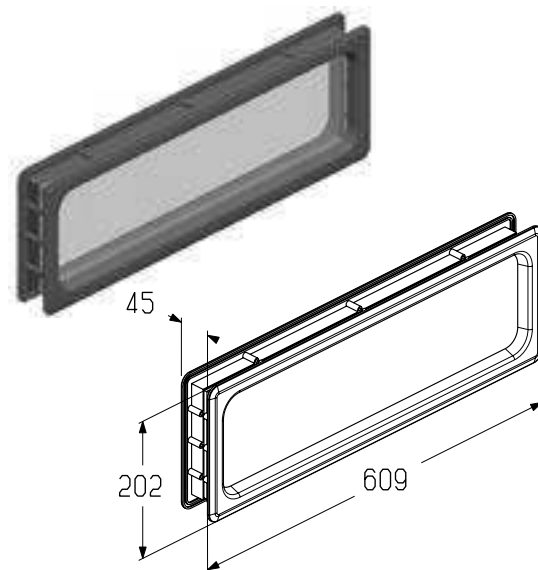
3.1

Вставка светопрозрачная

Используется в гаражных и промышленных воротах всех типов монтажа.

Материал SAN
 Вес, кг/шт..... 1,3
 Единица измерения шт.
 Норма поставки, шт. 12

Арт.	Код	Розничная цена, евро с НДС
W085	401980400	81,50

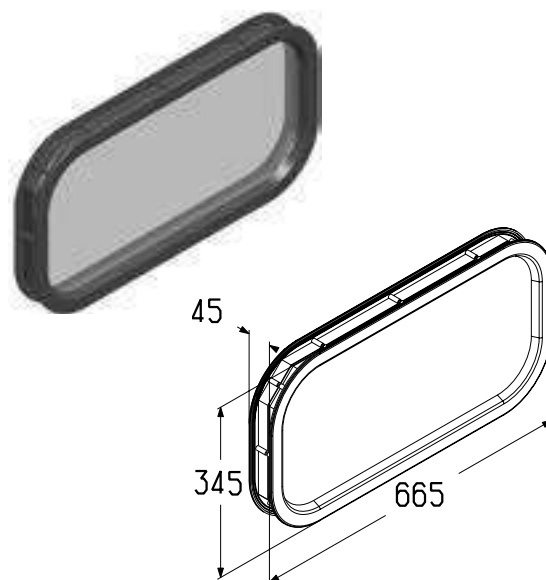


Вставка светопрозрачная

Используется в гаражных и промышленных воротах всех типов монтажа.

Материал SAN
 Вес, кг/шт..... 2,1
 Единица измерения шт.
 Норма поставки, шт. 8

Арт.	Код	Розничная цена, евро с НДС
W095	401980500	84,60

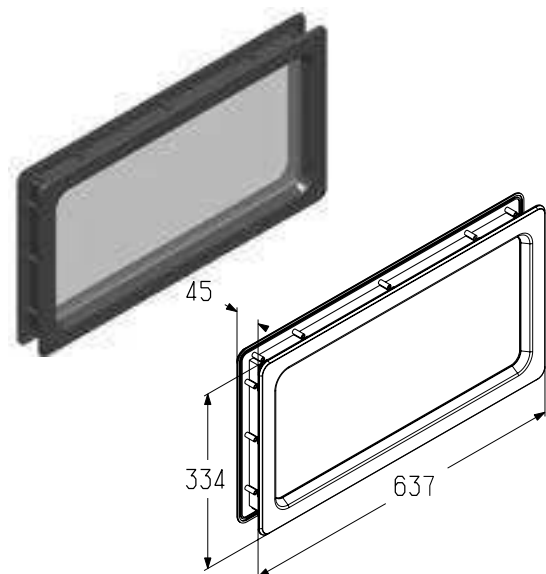


Вставка светопрозрачная

Используется в гаражных и промышленных воротах всех типов монтажа.

Материал SAN
 Вес, кг/шт..... 2,3
 Единица измерения шт.
 Норма поставки, шт. 8

Арт.	Код	Розничная цена, евро с НДС
W046	401980100	84,60



3.1

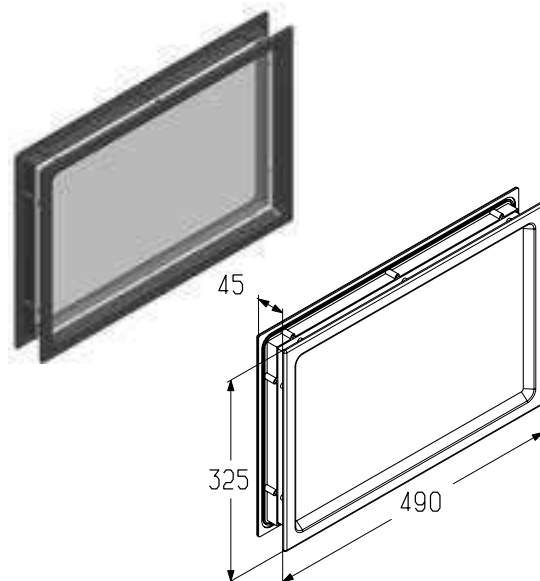
АКСЕССУАРЫ ДЛЯ СЕКЦИОННЫХ ВОРОТ

Вставка светопрозрачная

Используется в гаражных и промышленных воротах всех типов монтажа.

Материал SAN
 Вес, кг/шт..... 1,5
 Единица измерения шт.
 Норма поставки, шт. 8

Арт.	Код	Примечание	Розничная цена, евро с НДС
W040WH	401980200	Белый	84,60
W040BR	401980300	Коричневый	84,60

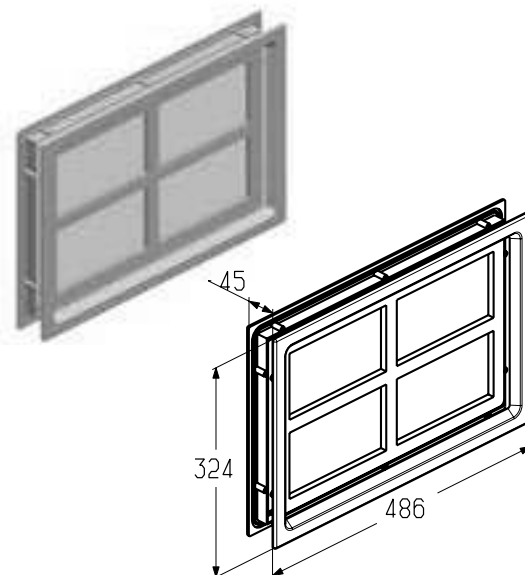


Вставка светопрозрачная декоративная Cross

Используется в гаражных и промышленных воротах всех типов монтажа.

Материал SAN
 Вес, кг/шт..... 1,70
 Единица измерения шт.
 Норма поставки, шт. 8

Арт.	Код	Примечание	Розничная цена, евро с НДС
W041-WH	401981400	Белый	92,30
W041-BR	401981100	Коричневый	92,30

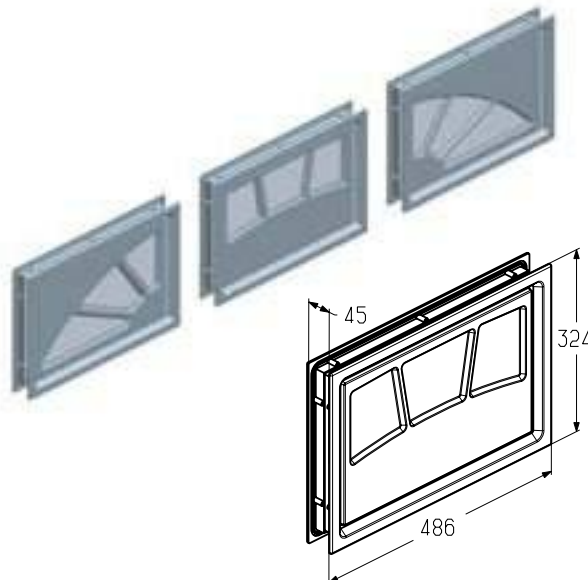


Комплект вставок светопрозрачных декоративных Sunburst 3

Используется в гаражных и промышленных воротах всех типов монтажа.
 В комплект входят 3 окна.

Материал SAN
 Вес, кг/шт..... 5,10
 Единица измерения шт.
 Норма поставки, шт. 2

Арт.	Код	Примечание	Розничная цена, евро с НДС
W042-WH	401981200	Белый	289,20
W042-BR	401981300	Коричневый	289,20

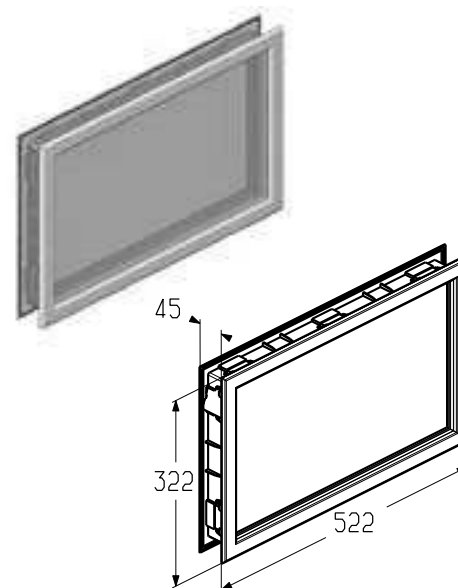


АКСЕССУАРЫ ДЛЯ СЕКЦИОННЫХ ВОРОТ
Окно

Используется в гаражных и промышленных воротах всех типов монтажа.

МатериалABS
 Вес, кг/шт.....1,9
 Единица измеренияшт.
 Норма поставки, шт.10

Арт.	Код	Цвет рамы	Тип остекления	Розничная цена, евро с НДС
W043WH-CG	401983000	Белый	Акриловое кристаллическое	80,00
W043WH-TG	401983100	Белый	Акриловое прозрачное	80,00
W043BR-CG	401983200	Коричневый	Акриловое кристаллическое	80,00
W043BR-TG	401983300	Коричневый	Акриловое прозрачное	80,00

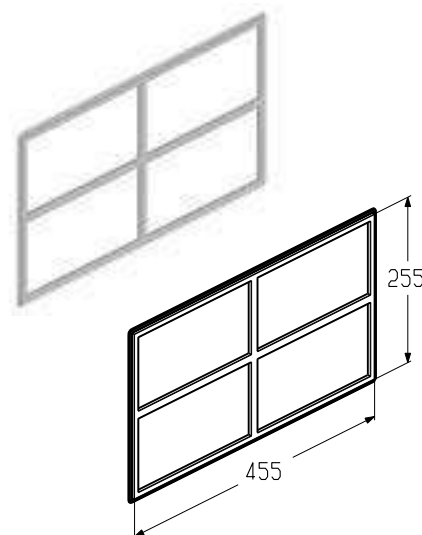

3.1
Вставка декоративная Cross

Предназначена для установки совместно с вставкой светопрозрачной (W043WH-CG/TG, W043BR CG/TG).

Используется в гаражных и промышленных воротах всех типов монтажа.

Вес, кг/шт.....1,1
 Единица измеренияшт.
 Норма поставки, шт.80

Арт.	Код	Примечание	Розничная цена, евро с НДС
DIC043WH	401983400	Белый	23,00
DIC043BR	401983500	Коричневый	23,00

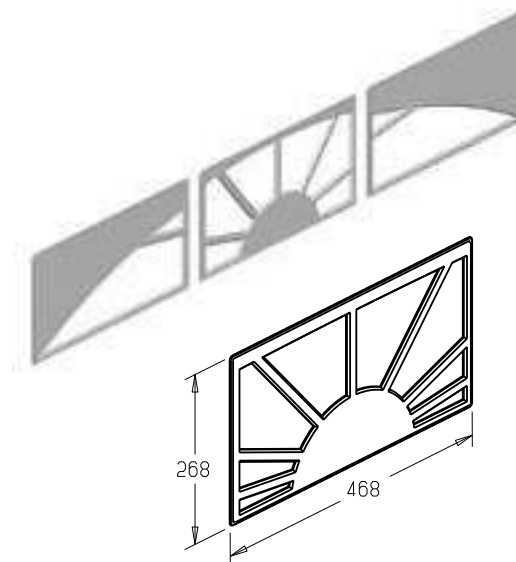

Комплект вставок декоративных Sunrise 3

Предназначена для установки совместно с вставкой светопрозрачной (W043WH-CG/TG, W043BR CG/TG).

Используется в гаражных и промышленных воротах всех типов монтажа.

Вес, кг/шт.....0,49
 Единица измеренияшт.
 Норма поставки, шт.20

Арт.	Код	Примечание	Розничная цена, евро с НДС
DIS043WH-3	401982500	Белый	64,60
DIS043BR-3	401981900	Коричневый	64,60



АКСЕССУАРЫ ДЛЯ СЕКЦИОННЫХ ВОРОТ

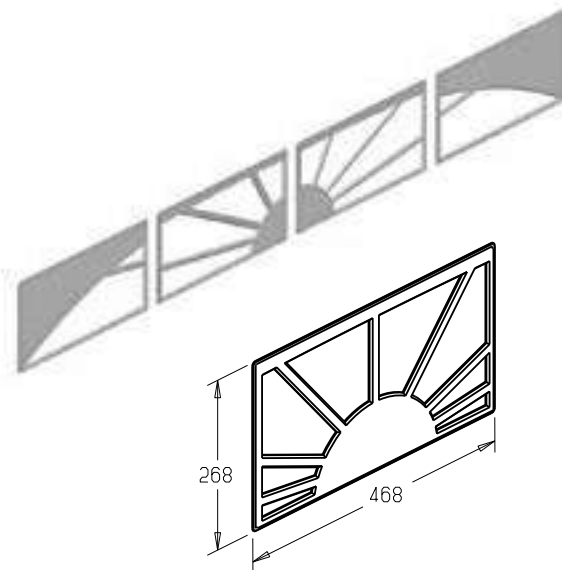
Комплект вставок декоративных Sunrise 4

Предназначена для установки совместно с вставкой светопрозрачной (W043WH-CG/TG, W043BR CG/TG).

Используется в гаражных и промышленных воротах всех типов монтажа.

Вес, кг/шт..... 0,58
Единица измерения шт.
Норма поставки, шт. 20

Арт.	Код	Примечание	Розничная цена, евро с НДС
DIS043WH-4	401981500	Белый	89,20
DIS043BR-4	401982600	Коричневый	89,20

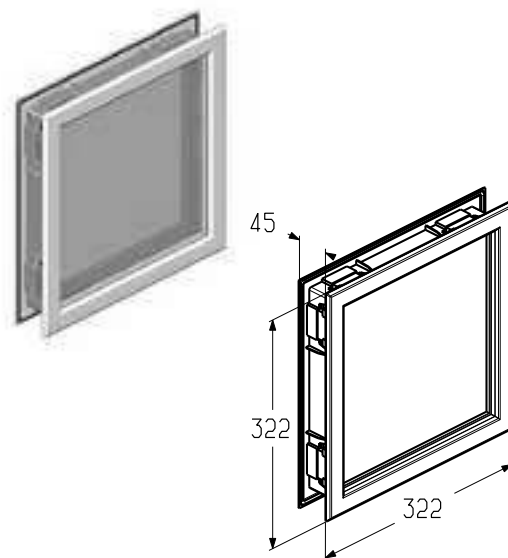


Окно

Используется в гаражных и промышленных воротах всех типов монтажа.

Материал.....ABS
Вес, кг/шт..... 1,5
Единица измеренияшт.
Норма поставки, шт. 10

Арт.	Код	Примечание	Розничная цена, евро с НДС
W050WH	401983600	Белый	73,85
W050BR	401983700	Коричневый	73,85

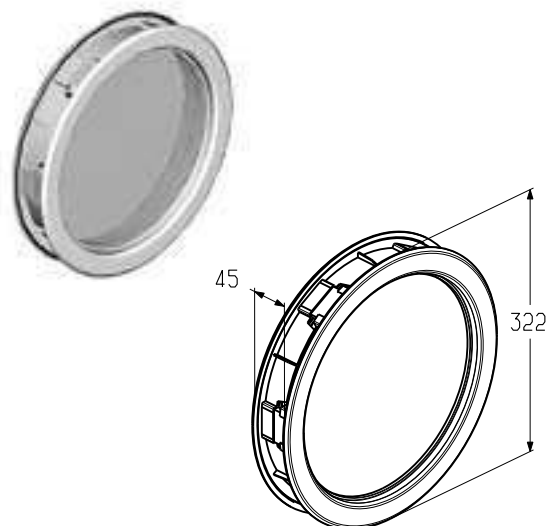


Окно

Используется в гаражных и промышленных воротах всех типов монтажа.

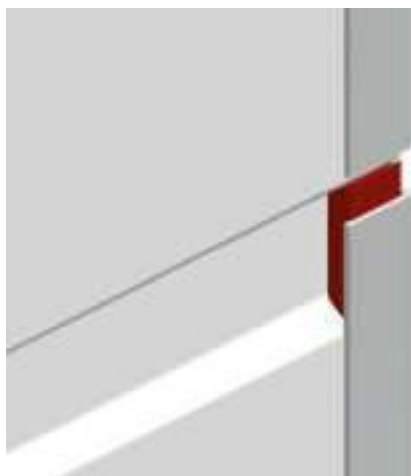
Материал.....ABS
Вес, кг/шт..... 1,5
Единица измеренияшт.
Норма поставки, шт. 10

Арт.	Код	Примечание	Розничная цена, евро с НДС
W060WH	401983800	Белый	80,00
W060BR	401983900	Коричневый	80,00



УСТАНОВКА ЗАГЛУШКИ МЕЖПАНЕЛЬНОЙ И ЗАГЛУШКИ

Заглушка межпанельная (P1013)



Заглушка (P-1502)

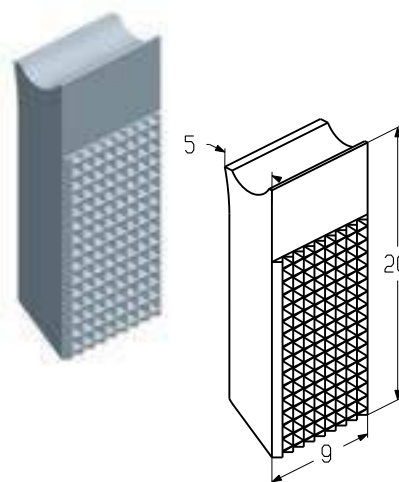


Заглушка

Устанавливается совместно с боковой накладкой (EC-450R/L, EC-500R/L, EC-625R/L).
Используется в гаражных и промышленных воротах с рисунками полотна «S-гофр», «М-гофр» и «L-гофр».

Материал полиуретан
Вес, кг/шт. 0,002
Единица измерения шт.
Норма поставки, шт. 10000

Арт.	Код	Розничная цена, евро с НДС
P1013	401530300	0,30

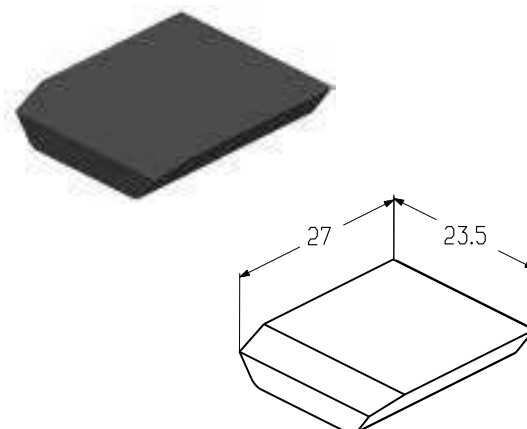


Заглушка

Устанавливается совместно с боковой накладкой (EC-450R/L, EC-500R/L, EC-625R/L).
Используется в гаражных воротах с пружинами растяжения и торсионными пружинами, промышленных воротах с рисунками полотна «S-гофр» и «М-гофр».

Материал TPEP
Вес, кг/шт. 0,001
Единица измерения шт.
Норма поставки, шт. 5000

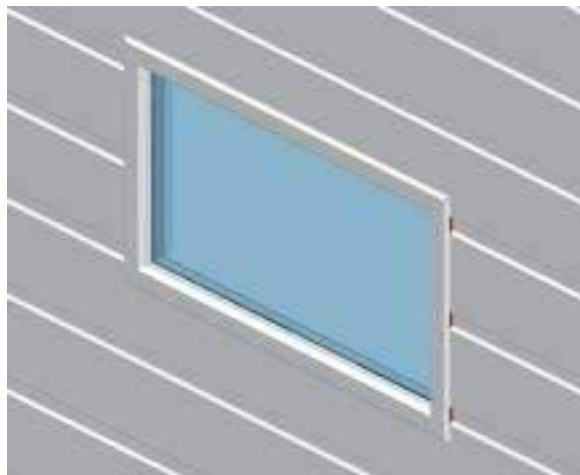
Арт.	Код	Розничная цена, евро с НДС
P-1502	401990200	0,30



3.1

УСТАНОВКА ЗАГЛУШКИ ОКОННОЙ

Заглушка оконная (арт. P1012)

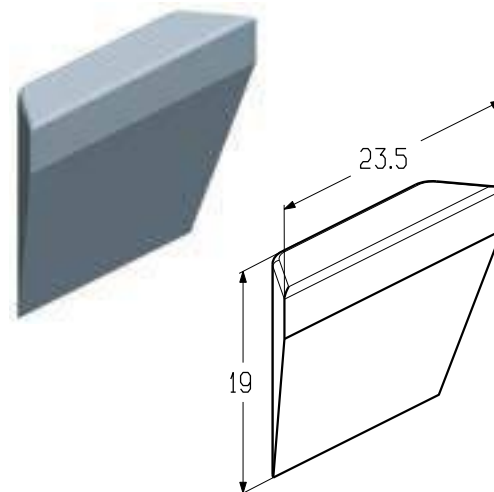


Заглушка оконная

Устанавливается совместно со вставками светопрозрачными (W085, W095, W046, W040WH/BR, W041-WH/BR, W042-WH/BR).
Используется в гаражных и промышленных воротах с рисунками полотна «S-гофр» и «М-гофр».

Материал.....полиуретан
Вес, кг/шт.0,002
Единица измеренияшт.
Норма поставки, шт.....6000

Арт.	Код	Розничная цена, евро с НДС
P1012	401982400	0,40

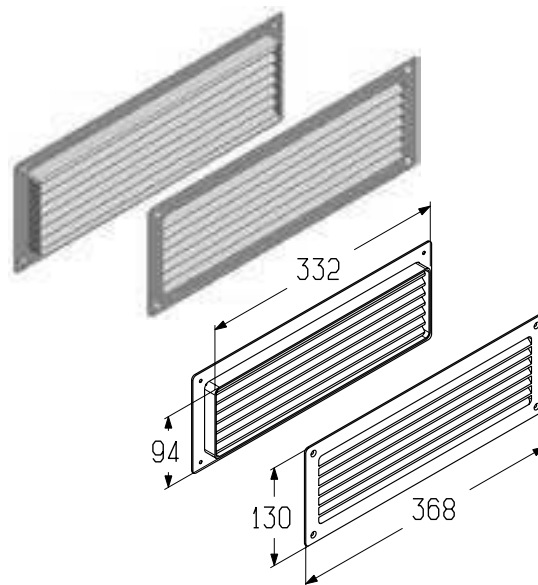


Решетка вентиляционная регулируемая (белая)
Решетка вентиляционная регулируемая (черная)

Используется в гаражных и промышленных воротах всех типов монтажа.

 Материалпластмасса
 Вес, кг/к-т 0,48
 Единица измеренияк-т
 Норма поставки, к-т 10

Арт.	Код	Примечание	Розничная цена, евро с НДС
VG-368RWH	401900000	Белый	23,00
VG-368RBK	401900100	Черный	23,00



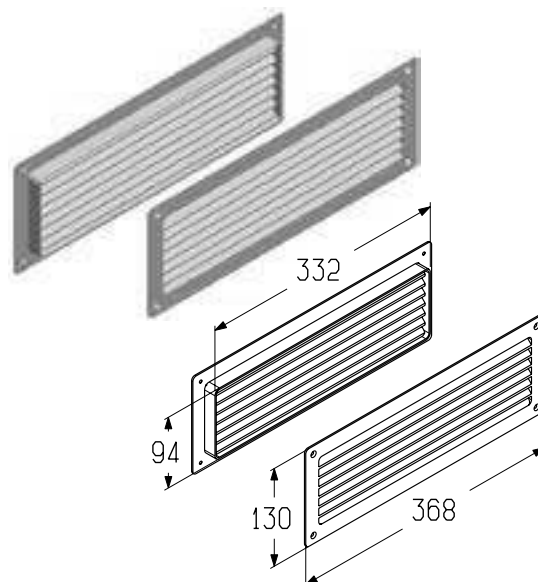
3.1

Решетка вентиляционная нерегулируемая (белая)
Решетка вентиляционная нерегулируемая (черная)

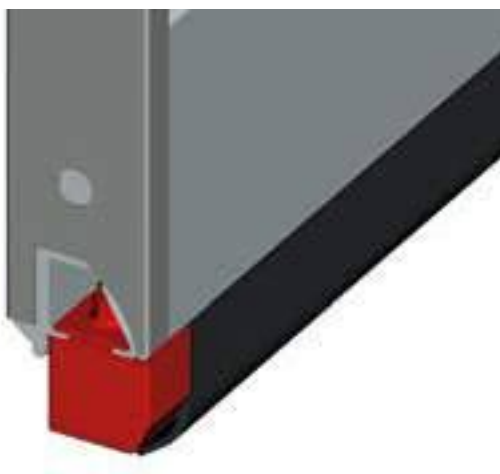
Используется в гаражных и промышленных воротах всех типов монтажа.

 Материалпластмасса
 Вес, кг/к-т 0,45
 Единица измеренияк-т
 Норма поставки, к-т 10

Арт.	Код	Примечание	Розничная цена, евро с НДС
VG-368WH	401900200	Белый	18,45
VG-368BK	401900300	Черный	18,45



УСТАНОВКА УПОРА НИЖНЕГО

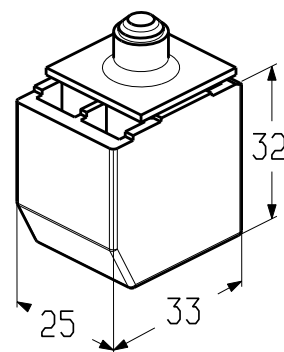


Упор нижний

Предназначен для установки в профиль воротный нижний (PRG-11).
Используется в гаражных и промышленных воротах всех типов монтажа.

Материал HDPE
Вес, кг/м 0,043
Единица измерения шт.
Норма поставки, шт. 60

Арт.	Код	Розничная цена, евро с НДС
LS1016	401940300	1,00

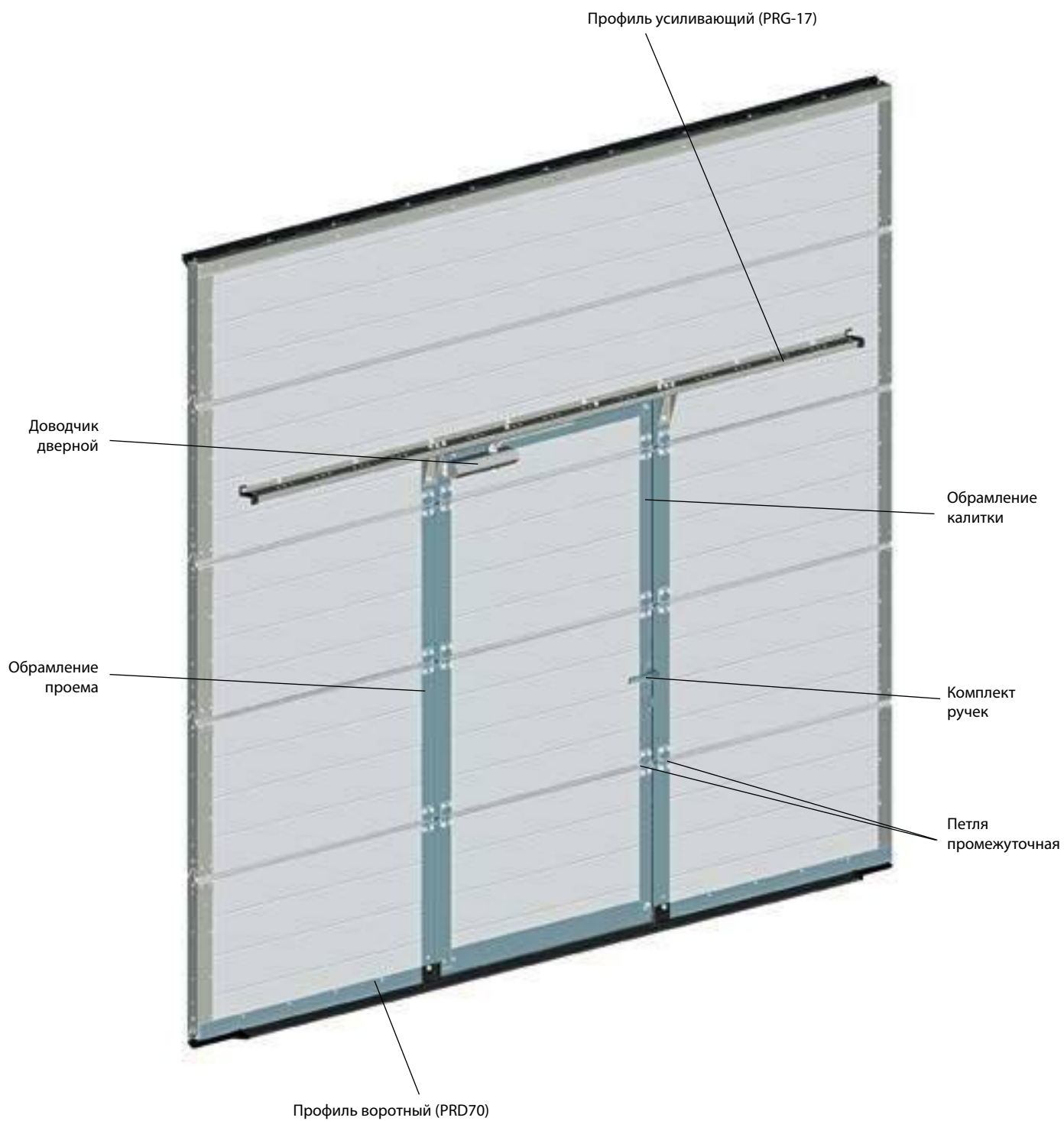




ВСТРОЕННАЯ КАЛИТКА

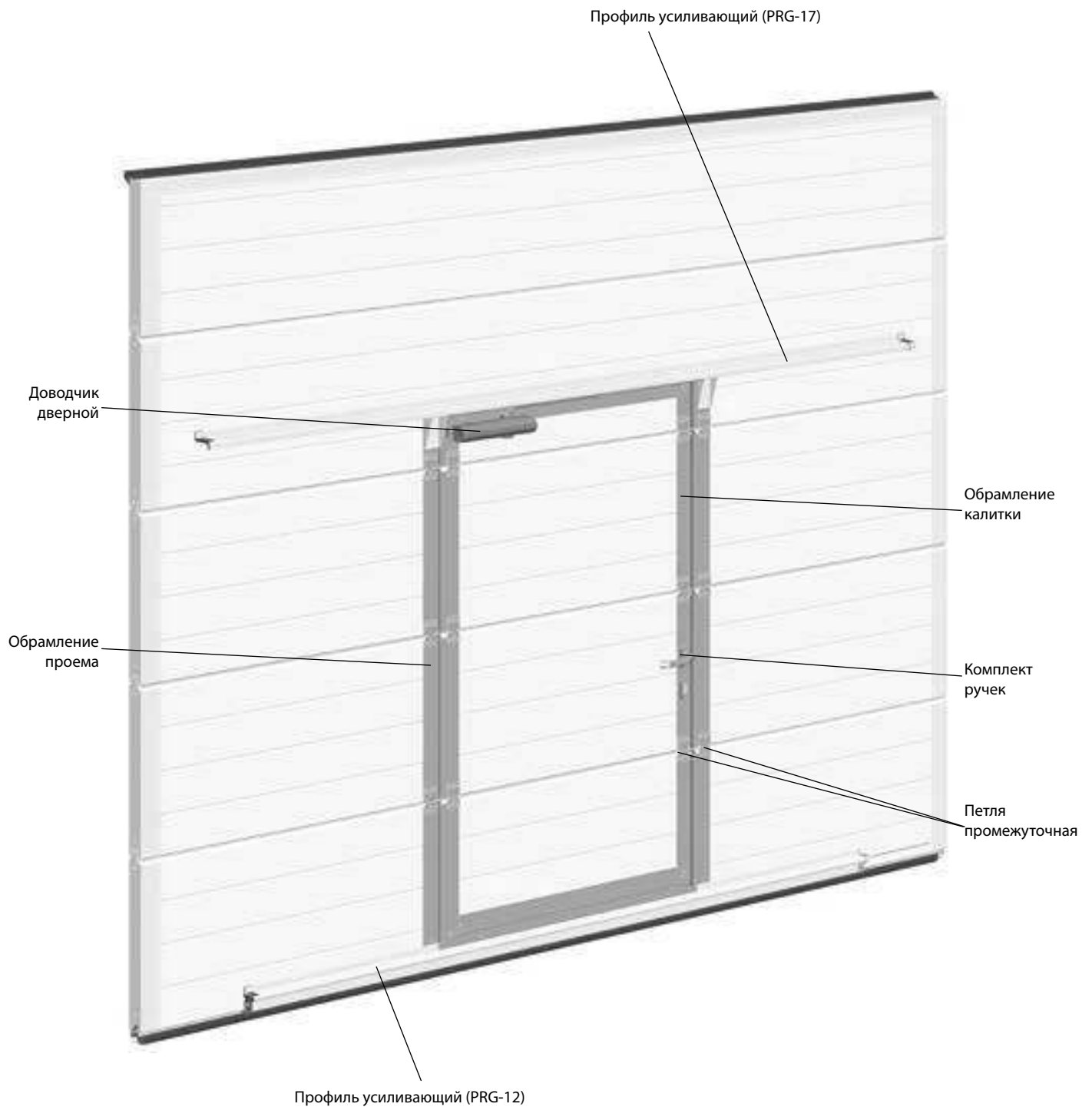
ТИПОВАЯ КОНСТРУКЦИЯ КАЛИТКИ С ПЛОСКИМ ПОРОГОМ 20 ММ

3.2



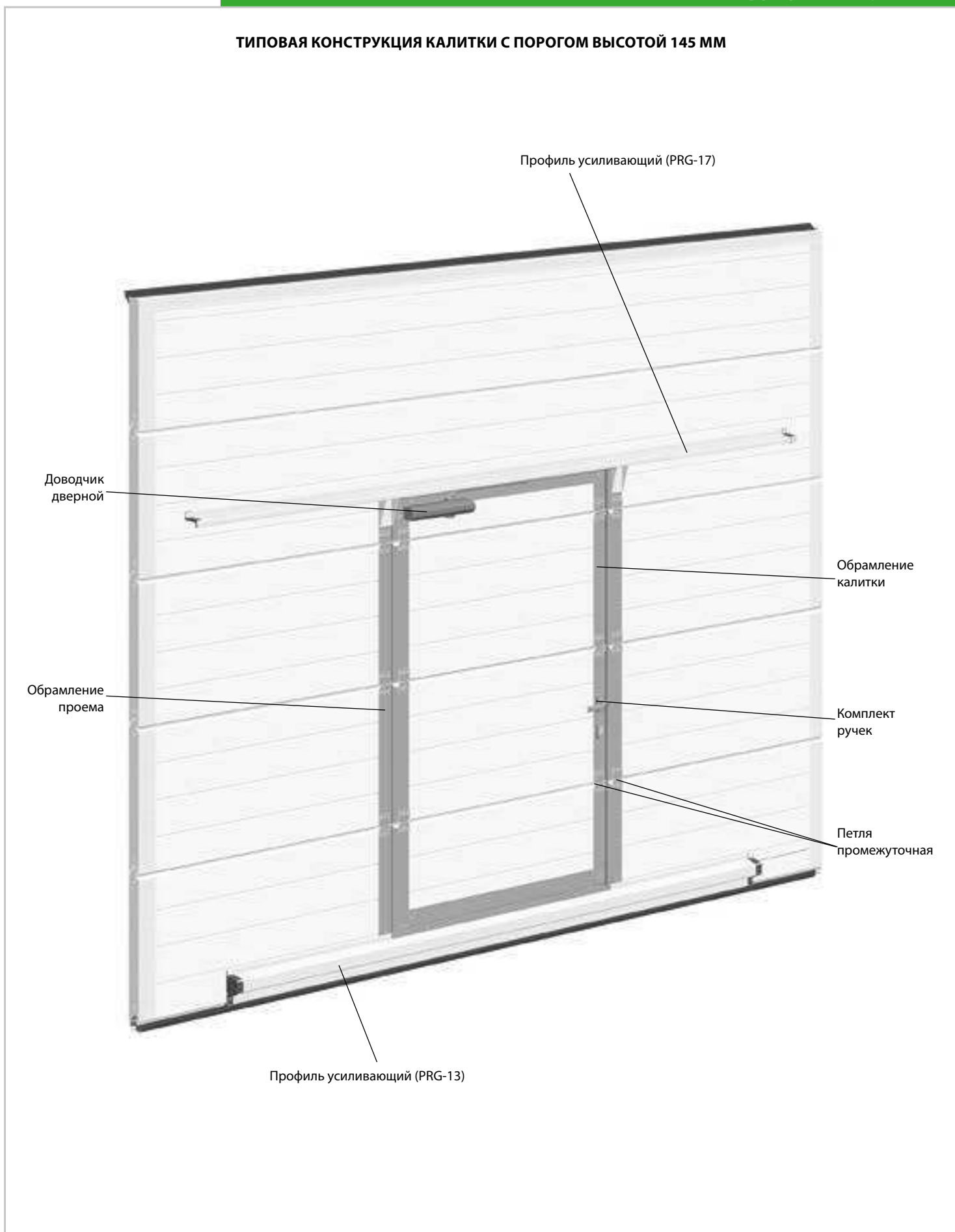
ВСТРОЕННАЯ КАЛИТКА

ТИПОВАЯ КОНСТРУКЦИЯ КАЛИТКИ С ПОРОГОМ ВЫСОТОЙ 100 ММ



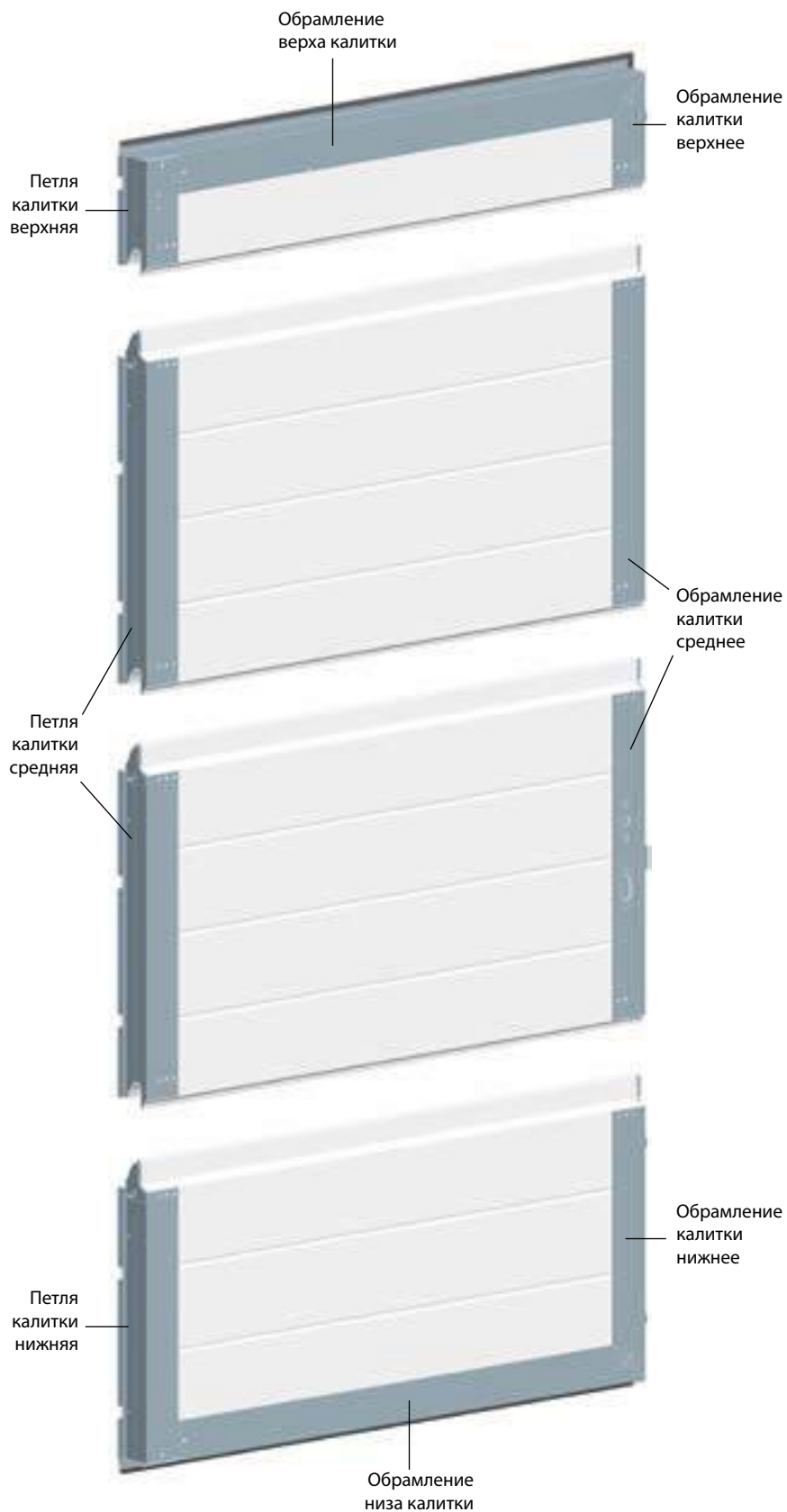
ТИПОВАЯ КОНСТРУКЦИЯ КАЛИТКИ С ПОРОГОМ ВЫСОТОЙ 145 ММ

3.2



ОБРАМЛЕНИЕ КАЛИТКИ

УСТАНОВКА ПРОФИЛЕЙ ОБРАМЛЕНИЯ КАЛИТКИ

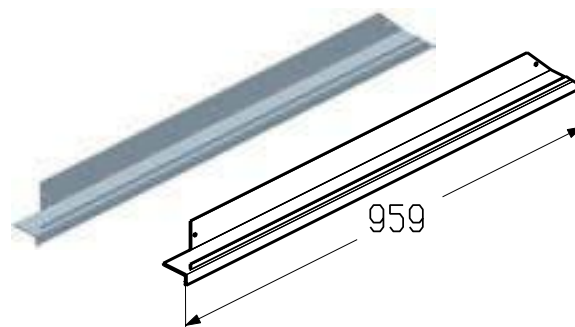


3.2

Обрамление верха калитки

Предназначено для обрамления верхней калиточной панели.
Используется в калитке с плоским, стандартным и низким порогом.

Длина, мм 959
 Материал алюминий
 Вес, кг/шт. 0,751
 Единица измерения шт.
 Норма поставки, шт. 10

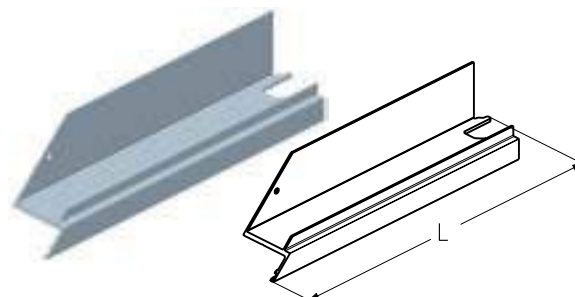


Арт.	Код	Покрытие	Цвет	Применение	Розничная цена, евро с НДС
WD403R.203	404010891	Анодированное	A00-D6 (серебро)	Для ворот с правой калиткой	19,00
WD403R.203	404011333	Порошковое	Ближкий RAL 8019		
WD403L.203	404010991	Анодированное	A00-D6 (серебро)	Для ворот с левой калиткой	
WD403L.203	404011433	Порошковое	Ближкий RAL 8019		

Обрамление калитки верхнее

Предназначено для обрамления верхней калиточной панели.
Используется в калитке с плоским, стандартным и низким порогом.

Материал алюминий
 Единица измерения шт.
 Норма поставки, шт. 10

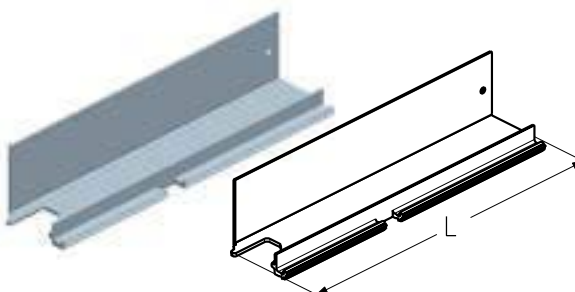


Арт.	Код	Покрытие	Цвет	Длина, мм	Вес, кг/шт.	Применение	Розничная цена, евро с НДС
WD403R.202	404010491	Анодированное	A00-D6 (серебро)	191	0,136	Для ворот с правой калиткой	5,50
WD403R.202	404011033	Порошковое	Ближкий RAL 8019	191	0,136		5,50
WD404R.202	404010691	Анодированное	A00-D6 (серебро)	316	0,225		7,50
WD404R.202	404011133	Порошковое	Ближкий RAL 8019	316	0,225		7,50
WD403L.202	404010591	Анодированное	A00-D6 (серебро)	191	0,136	Для ворот с левой калиткой	5,50
WD403L.202	404011533	Порошковое	Ближкий RAL 8019	191	0,136		5,50
WD404L.202	404010791	Анодированное	A00-D6 (серебро)	316	0,225		7,50
WD404L.202	404011233	Порошковое	Ближкий RAL 8019	316	0,225		7,50

Петля калитки верхняя

Предназначена для обрамления верхней калиточной панели.
Используется в калитке с плоским, стандартным и низким порогом.

Материал алюминий
 Единица измерения шт.
 Норма поставки, шт. 10



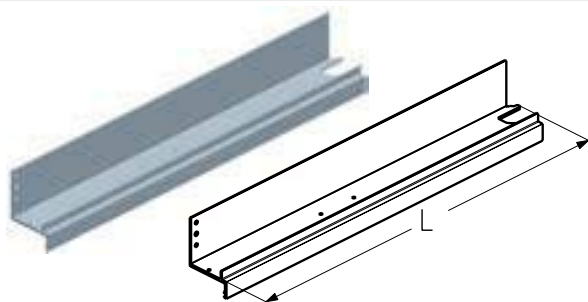
Арт.	Код	Покрытие	Цвет	Длина, мм	Вес, кг/шт.	Применение	Розничная цена, евро с НДС
WD403R.201	404010091	Анодированное	A00-D6 (серебро)	169	0,129	Для ворот с правой калиткой	6,00
WD403R.201	404010633	Порошковое	Ближкий RAL 8019	169	0,129		6,00
WD404R.201	404010291	Анодированное	A00-D6 (серебро)	294	0,225		8,50
WD404R.201	404010833	Порошковое	Ближкий RAL 8019	294	0,225		8,50
WD403L.201	404010191	Анодированное	A00-D6 (серебро)	169	0,129	Для ворот с левой калиткой	6,00
WD403L.201	404010733	Порошковое	Ближкий RAL 8019	169	0,129		6,00
WD404L.201	404010391	Анодированное	A00-D6 (серебро)	294	0,225		8,50
WD404L.201	404010933	Порошковое	Ближкий RAL 8019	294	0,225		8,50

ОБРАМЛЕНИЕ КАЛИТКИ

Обрамление калитки среднее

Предназначено для обрамления третьей калиточной панели.
Используется в калитке с плоским, стандартным и низким порогом.

Материалалюминий
Единица измеренияшт.
Норма поставки, шт.10

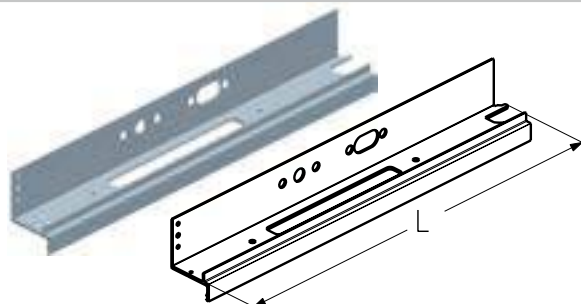


Арт.	Код	Покрытие	Цвет	Длина, мм	Вес, кг/шт.	Применение	Розничная цена, евро с НДС
WD350R.202	404021291	Анодированное	A00-D6 (серебро)	490,5	0,393	Для ворот с правой калиткой	10,50
WD350R.202	404021833	Порошковое	Близкий RAL 8019	490,5	0,393		10,50
WD360R.202	404021491	Анодированное	A00-D6 (серебро)	615,5	0,493		13,00
WD360R.202	404022033	Порошковое	Близкий RAL 8019	615,5	0,493		13,00
WD350L.202	404021391	Анодированное	A00-D6 (серебро)	490,5	0,393	Для ворот с левой калиткой	10,50
WD350L.202	404021933	Порошковое	Близкий RAL 8019	490,5	0,393		10,50
WD360L.202	404021591	Анодированное	A00-D6 (серебро)	615,5	0,493		13,00
WD360L.202	404022133	Порошковое	Близкий RAL 8019	615,5	0,493		13,00

Обрамление калитки среднее

Предназначено для обрамления второй калиточной панели.
Используется в калитке с плоским, стандартным и низким порогом.

Материалалюминий
Единица измеренияшт.
Норма поставки, шт.10

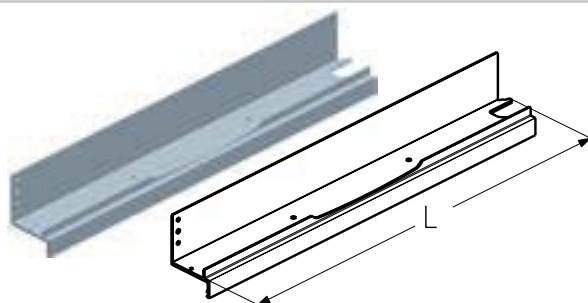


Арт.	Код	Покрытие	Цвет	Длина, мм	Вес, кг/шт.	Применение	Розничная цена, евро с НДС
WD250R.202	40402049	Анодированное	A00-D6 (серебро)	490,5	0,365	Для ворот с правой калиткой	11,00
WD250R.202	404021033	Порошковое	Близкий RAL 8019	490,5	0,365		11,00
WD260R.202	404020691	Анодированное	A00-D6 (серебро)	615,5	0,458		13,00
WD260R.202	404021233	Порошковое	Близкий RAL 8019	615,5	0,458		13,00
WD250L.202	404020591	Анодированное	A00-D6 (серебро)	490,5	0,365	Для ворот с левой калиткой	11,00
WD250L.202	404021133	Порошковое	Близкий RAL 8019	490,5	0,365		11,00
WD260L.202	404020791	Анодированное	A00-D6 (серебро)	615,5	0,458		13,00
WD260L.202	44021333	Порошковое	Близкий RAL 8019	615,5	0,458		13,00

Обрамление калитки среднее

Предназначено для обрамления второй калиточной панели.
Используется в калитке с плоским, стандартным и низким порогом с замком «анти-паник».

Материалалюминий
Единица измеренияшт.
Норма поставки, шт.10

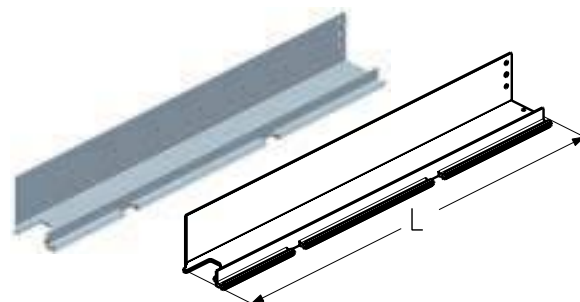


Арт.	Код	Покрытие	Цвет	Длина, мм	Вес, кг/шт.	Применение	Розничная цена, евро с НДС
WD250RA.202	404020891	Анодированное	A00-D6 (серебро)	490,5	0,387	Для ворот с правой калиткой	11,00
WD250RA.202	404021433	Порошковое	Близкий RAL 8019	490,5	0,387		11,00
WD260RA.202	404021091	Анодированное	A00-D6 (серебро)	615,5	0,485		13,00
WD260RA.202	40402163	Порошковое	Близкий RAL 8019	615,5	0,485		13,00
WD250LA.202	404020991	Анодированное	A00-D6 (серебро)	490,5	0,387	Для ворот с левой калиткой	11,00
WD250LA.202	404021533	Порошковое	Близкий RAL 8019	490,5	0,387		11,00
WD260LA.202	404021191	Анодированное	A00-D6 (серебро)	615,5	0,485		13,00
WD260LA.202	404021733	Порошковое	Близкий RAL 8019	615,5	0,485		13,00

Петля калитки средняя

Предназначена для обрамления третьей и второй калиточной панели.
Используется в калитке с плоским, стандартным и низким порогом.

Материалалюминий
 Единица измеренияшт.
 Норма поставки, шт.10

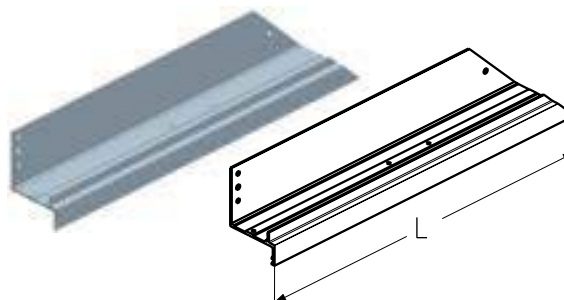


Арт.	Код	Покрытие	Цвет	Длина, мм	Вес, кг/шт.	Применение	Розничная цена, евро с НДС
WD250R.201	404020091	Анодированное	A00-D6 (серебро)	490,5	0,385	Для ворот с правой калиткой	12,00
WD250R.201	404020633	Порошковое	Близкий RAL 8019	490,5	0,385		12,00
WD260R.201	404020291	Анодированное	A00-D6 (серебро)	615,5	0,483		14,50
WD260R.201	404020833	Порошковое	Близкий RAL 8019	615,5	0,483		14,50
WD250L.201	404020191	Анодированное	A00-D6 (серебро)	490,5	0,385	Для ворот с левой калиткой	12,00
WD250L.201	404020733	Порошковое	Близкий RAL 8019	490,5	0,385		12,00
WD260L.201	404020391	Анодированное	A00-D6 (серебро)	615,5	0,483		14,50
WD260L.201	404020933	Порошковое	Близкий RAL 8019	615,5	0,483		14,50

Обрамление калитки нижнее

Предназначено для обрамления нижней калиточной панели.
Используется в калитке со стандартным порогом.

Материалалюминий
 Единица измеренияшт.
 Норма поставки, шт.10

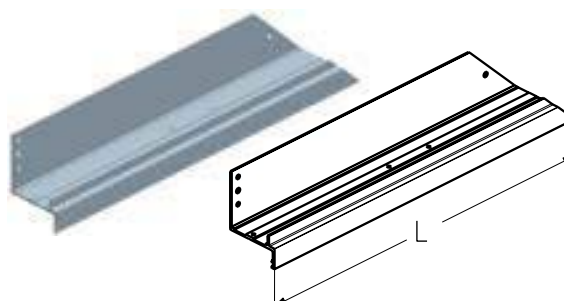


Арт.	Код	Покрытие	Цвет	Длина, мм	Вес, кг/шт.	Применение	Розничная цена, евро с НДС
WD152R.202	404031091	Анодированное	A00-D6 (серебро)	377	0,291	Для ворот с правой калиткой	9,00
WD152R.202	404031633	Порошковое	Близкий RAL 8019	377	0,291		9,00
WD162R.202	404031491	Анодированное	A00-D6 (серебро)	502	0,388		11,00
WD162R.202	404032033	Порошковое	Близкий RAL 8019	502	0,388		11,00
WD152L.202	404031191	Анодированное	A00-D6 (серебро)	377	0,291	Для ворот с левой калиткой	9,00
WD152L.202	404031733	Порошковое	Близкий RAL 8019	377	0,291		9,00
WD162L.202	404031591	Анодированное	A00-D6 (серебро)	502	0,388		11,00
WD162L.202	404032133	Порошковое	Близкий RAL 8019	502	0,388		11,00

Обрамление калитки нижнее

Предназначено для обрамления нижней калиточной панели.
Используется в калитке с низким порогом.

Материалалюминий
 Единица измеренияшт.
 Норма поставки, шт.10



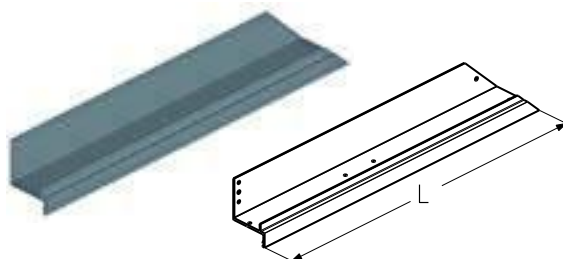
Арт.	Код	Покрытие	Цвет	Длина, мм	Вес, кг/шт.	Применение	Розничная цена, евро с НДС
WD151R.202	404030891	Анодированное	A00-D6 (серебро)	422	0,326	Для ворот с правой калиткой	9,50
WD151R.202	404031433	Порошковое	Близкий RAL 8019	422	0,326		9,50
WD161R.202	404031291	Анодированное	A00-D6 (серебро)	547	0,470		12,00
WD161R.202	404031833	Порошковое	Близкий RAL 8019	547	0,470		12,00
WD151L.202	404030991	Анодированное	A00-D6 (серебро)	422	0,326	Для ворот с левой калиткой	9,50
WD151L.202	404031533	Порошковое	Близкий RAL 8019	422	0,326		9,50
WD161L.202	404031391	Анодированное	A00-D6 (серебро)	547	0,470		12,00
WD161L.202	404031933	Порошковое	Близкий RAL 8019	547	0,470		12,00

ОБРАМЛЕНИЕ КАЛИТКИ

Обрамление калитки нижнее

Предназначено для обрамления нижней калиточной панели.
Используется в калитке с плоским порогом.

Материалалюминий
Единица измеренияшт.
Норма поставки, шт.10

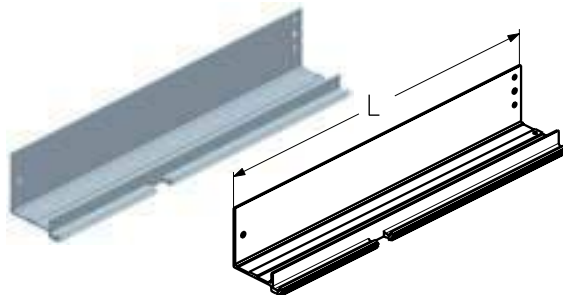


Арт.	Код	Покрытие	Цвет	Длина, мм	Вес, кг/шт.	Применение	Розничная цена, евро с НДС
WD-153R.202	404232891	Анодированное	A00-D6 (серебро)	488,5	0,379	Для ворот с правой калиткой	11,00
WD-153R.202	404232833	Порошковое	Близкий RAL 8019	488,5	0,379		11,00
WD-163R.202	404232991	Анодированное	A00-D6 (серебро)	613,5	0,483		13,00
WD-163R.202	404232933	Порошковое	Близкий RAL 8019	613,5	0,483		13,00
WD-153L.202	404032191	Анодированное	A00-D6 (серебро)	488,5	0,379	Для ворот с левой калиткой	11,00
WD-153L.202	404032733	Порошковое	Близкий RAL 8019	488,5	0,379		11,00
WD-163L.202	404031991	Анодированное	A00-D6 (серебро)	613,5	0,483		13,00
WD-163L.202	404032533	Порошковое	Близкий RAL 8019	613,5	0,483		13,00

Петля калитки нижняя

Предназначена для обрамления нижней калиточной панели.
Используется в калитке со стандартным порогом.

Материалалюминий
Единица измеренияшт.
Норма поставки, шт.10

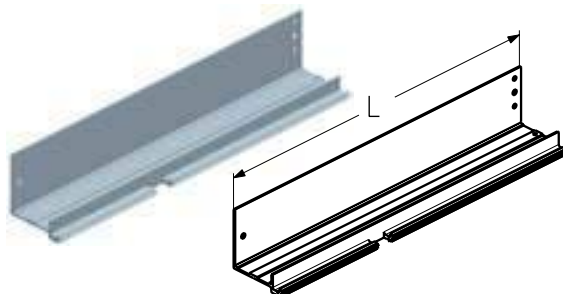


Арт.	Код	Покрытие	Цвет	Длина, мм	Вес, кг/шт.	Применение	Розничная цена, евро с НДС
WD152R.201	404030291	Анодированное	A00-D6 (серебро)	355	0,287	Для ворот с правой калиткой	9,50
WD152R.201	404030833	Порошковое	Близкий RAL 8019	355	0,287		9,50
WD162R.201	404030691	Анодированное	A00-D6 (серебро)	480	0,387		12,00
WD162R.201	404031233	Порошковое	Близкий RAL 8019	480	0,387		12,00
WD152L.201	404030391	Анодированное	A00-D6 (серебро)	355	0,287	Для ворот с левой калиткой	9,50
WD152L.201	404030933	Порошковое	Близкий RAL 8019	355	0,287		9,50
WD162L.201	404030791	Анодированное	A00-D6 (серебро)	480	0,387		12,00
WD162L.201	404031333	Порошковое	Близкий RAL 8019	480	0,387		12,00

Петля калитки нижняя

Предназначена для обрамления нижней калиточной панели.
Используется в калитке с низким порогом.

Материалалюминий
Единица измеренияшт.
Норма поставки, шт.10

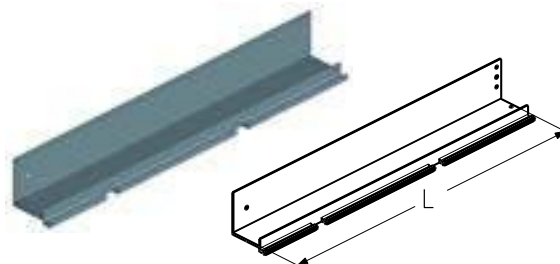


Арт.	Код	Покрытие	Цвет	Длина, мм	Вес, кг/шт.	Применение	Розничная цена, евро с НДС
WD151R.201	404030091	Анодированное	A00-D6 (серебро)	400	0,323	Для ворот с правой калиткой	10,50
WD151R.201	404030633	Порошковое	Близкий RAL 8019	400	0,323		10,50
WD161R.201	404030491	Анодированное	A00-D6 (серебро)	525	0,424		13,00
WD161R.201	404031033	Порошковое	Близкий RAL 8019	525	0,424		13,00
WD151L.201	404030191	Анодированное	A00-D6 (серебро)	400	0,323	Для ворот с левой калиткой	10,50
WD151L.201	404030733	Порошковое	Близкий RAL 8019	400	0,323		10,50
WD161L.201	404030591	Анодированное	A00-D6 (серебро)	525	0,424		13,00
WD161L.201	404031133	Порошковое	Близкий RAL 8019	525	0,424		13,00

ОБРАМЛЕНИЕ КАЛИТКИ
Петля калитки нижняя

Предназначено для обрамления нижней калиточной панели.
Используется в калитке с плоским порогом.

Материалалюминий
 Единица измеренияшт.
 Норма поставки, шт.10

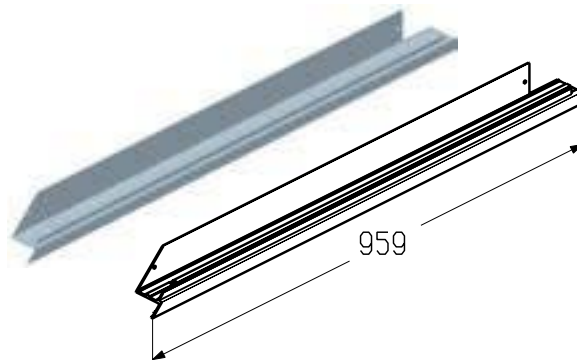


Арт.	Код	Покрытие	Цвет	Длина, мм	Вес, кг/шт.	Применение	Розничная цена, евро с НДС
WD-153R.201	404232691	Анодированное	A00-D6 (серебро)	466,5	0,418	Для ворот с правой калиткой	12,00
WD-153R.201	404232633	Порошковое	Близкий RAL 8019	466,5	0,418		12,00
WD-163R.201	404232791	Анодированное	A00-D6 (серебро)	591,5	0,532		14,00
WD-163R.201	404232733	Порошковое	Близкий RAL 8019	591,5	0,532		14,00
WD-153L.201	404233191	Анодированное	A00-D6 (серебро)	466,5	0,418	Для ворот с левой калиткой	12,00
WD-153L.201	404233133	Порошковое	Близкий RAL 8019	466,5	0,418		12,00
WD-163L.201	404233291	Анодированное	A00-D6 (серебро)	591,5	0,532		14,00
WD-163L.201	404233233	Порошковое	Близкий RAL 8019	591,5	0,532		14,00

Обрамление низа калитки

Предназначено для обрамления нижней калиточной панели.
Используется в калитке со стандартным и низким порогом.

Длина, мм 959
 Материалалюминий
 Единица измеренияшт.
 Норма поставки, шт.10

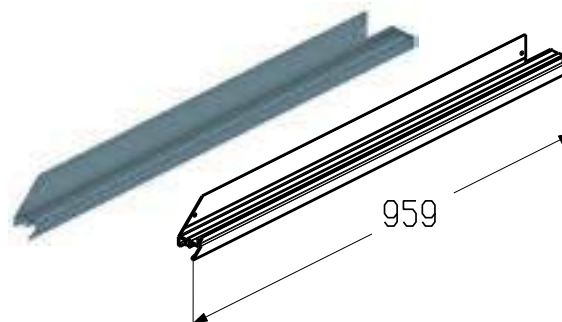


Арт.	Код	Покрытие	Цвет	Применение	Розничная цена, евро с НДС
WD151R.203	404031691	Анодированное	A00-D6 (серебро)	Для ворот с правой калиткой	18,50
WD151R.203	404032233	Порошковое	Близкий RAL 8019		
WD151L.203	404031791	Анодированное	A00-D6 (серебро)	Для ворот с левой калиткой	
WD151L.203	404032333	Порошковое	Близкий RAL 8019		

Обрамление низа калитки

Предназначено для обрамления нижней калиточной панели.
Используется в калитке с плоским порогом.

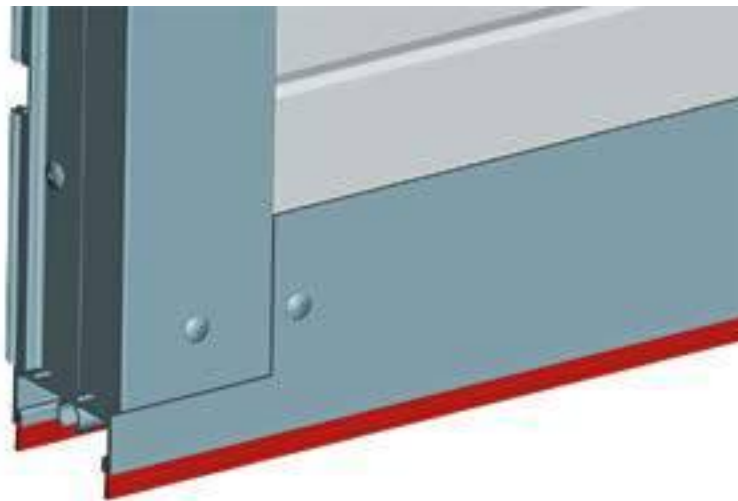
Длина, мм 959
 Вес, кг/м0,934
 Материалалюминий
 Единица измеренияшт.
 Норма поставки, шт.10



Арт.	Код	Покрытие	Цвет	Применение	Розничная цена, евро с НДС
WD-153R.203	404233091	Анодированное	A00-D6 (серебро)	Для ворот с правой калиткой	23,50
WD-153R.203	404233033	Порошковое	Близкий RAL 8019		22,50
WD-153L.203	404032091	Анодированное	A00-D6 (серебро)	Для ворот с левой калиткой	23,50
WD-153L.203	404032633	Порошковое	Близкий RAL 8019		22,50

ОБРАМЛЕНИЕ КАЛИТКИ

УСТАНОВКА ВСТАВКИ-ЩЕТКИ

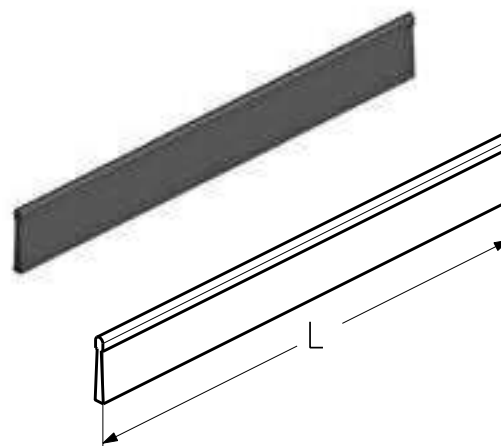


Вставка-щетка

Предназначена для герметизации нижней части проема калитки.
Используется в калитки с плоским порогом.

Вес, кг/шт.0,023
Единица измерениям
Норма поставки, м 300

Арт.	Код	Розничная цена, евро с НДС
BS11	404407000	15,00



УСТАНОВКА ЗАГЛУШКИ

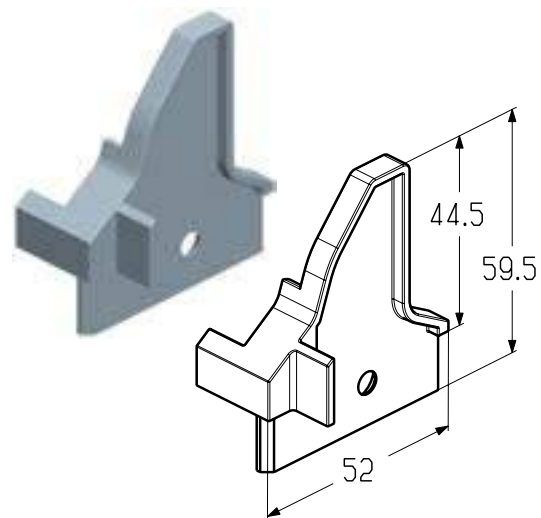


Заглушка

Устанавливается совместно с обрамлением калитки нижней и промежуточных панелей.
Используется в калитке с плоским, стандартным и низким порогом.

МатериалРА
Вес, кг/шт.0,006
Единица измеренияшт.
Норма поставки, шт.90

Арт.	Код	Цвет	Применение	Розничная цена, евро с НДС
WD22R-GR	401711300	Серый	Для ворот с правой калиткой	0,85
WD22R-BR	401711400	Коричневый		0,85
WD22L-GR	401711500	Серый	Для ворот с левой калиткой	0,85
WD22L-BR	401711600	Коричневый		0,85

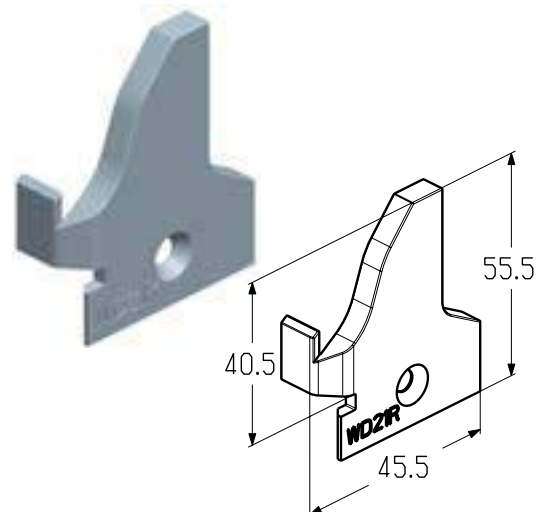


Заглушка

Устанавливается совместно с петлей калитки нижней и промежуточных панелей.
Используется в калитке с плоским, стандартным и низким порогом.

МатериалРА
Вес, кг/шт.0,006
Единица измеренияшт.
Норма поставки, шт.90

Арт.	Код	Цвет	Применение	Розничная цена, евро с НДС
WD21R-GR	401710900	Серый	Для ворот с правой калиткой	0,65
WD21R-BR	401711000	Коричневый		0,65
WD21L-GR	401711100	Серый	Для ворот с левой калиткой	0,65
WD21L-BR	401711200	Коричневый		0,65



ОБРАМЛЕНИЕ КАЛИТКИ

УСТАНОВКА ЛОВИТЕЛЯ



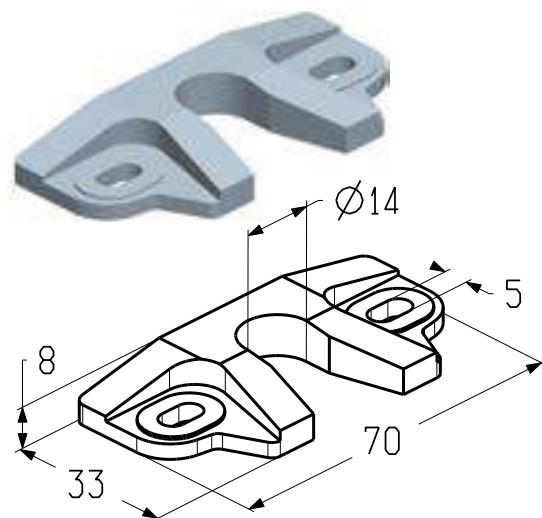
3.2

Ловитель

Устанавливается на обрамление калитки первой и третьей панелей.
Используется в калитке с плоским, стандартным и низким порогом.

МатериалРА
Вес, кг/шт.0,006
Единица измеренияшт.
Норма поставки, шт.80

Арт.	Код	Розничная цена, евро без НДС
WD2011	401730100	0,70

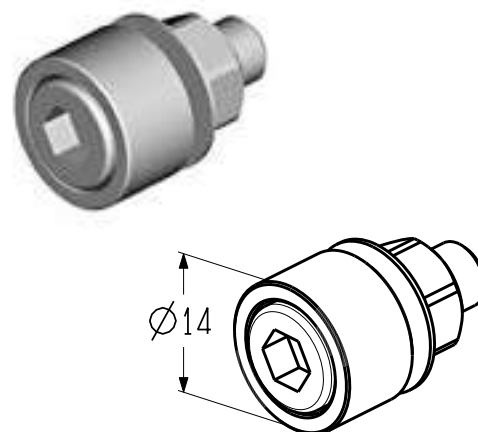


Комплект опоры ловителя

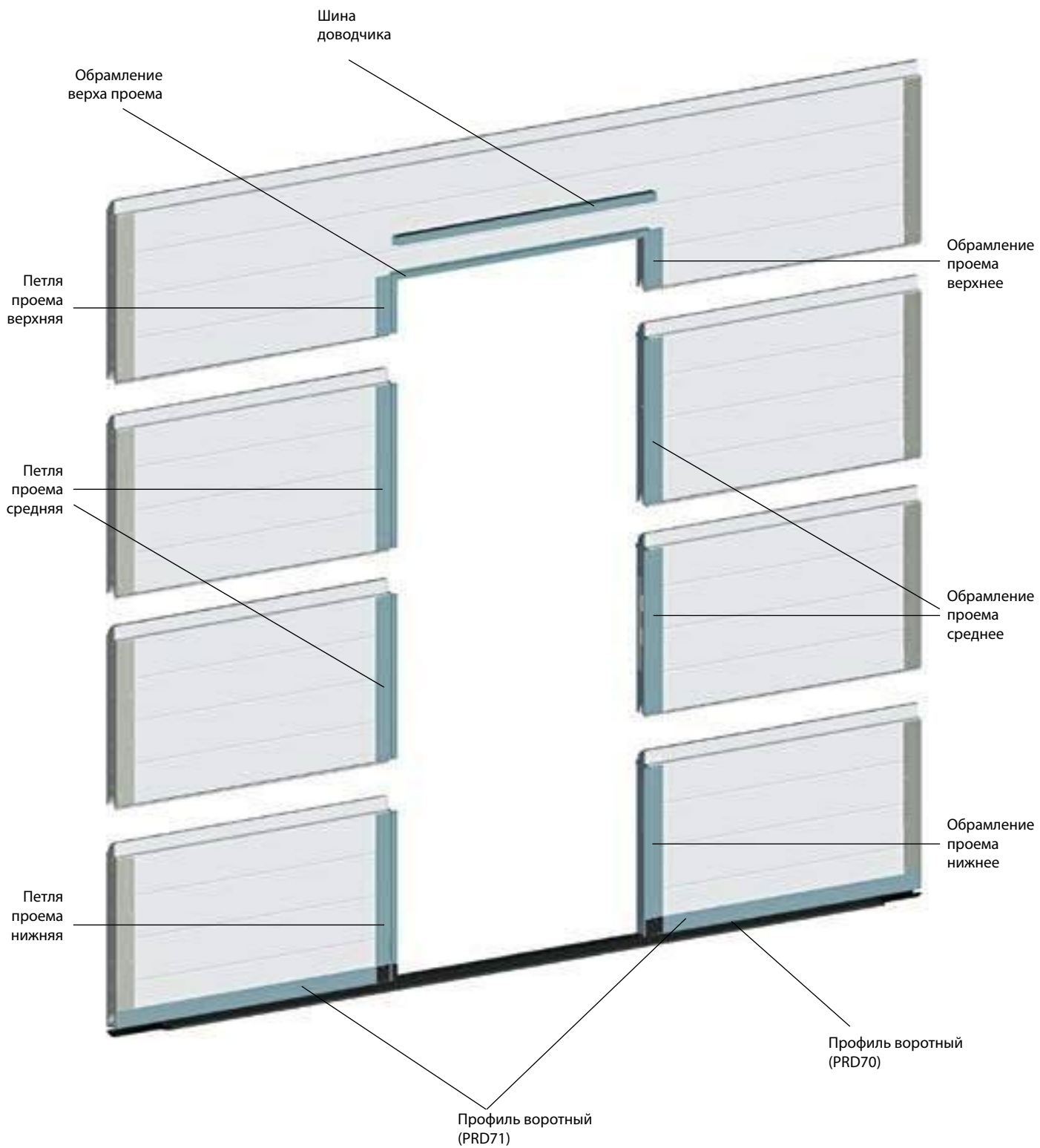
Применяется совместно с ловителем (WD2011).
Устанавливается на обрамление проема первой и третьей панелей.
Используется в калитке с плоским, стандартным и низким порогом.

Материал нержавеющая сталь
Вес, кг/шт.0,01
Единица измеренияшт.
Норма поставки, шт.1000

Арт.	Код	Розничная цена, евро без НДС
WD2031	401730200	2,80



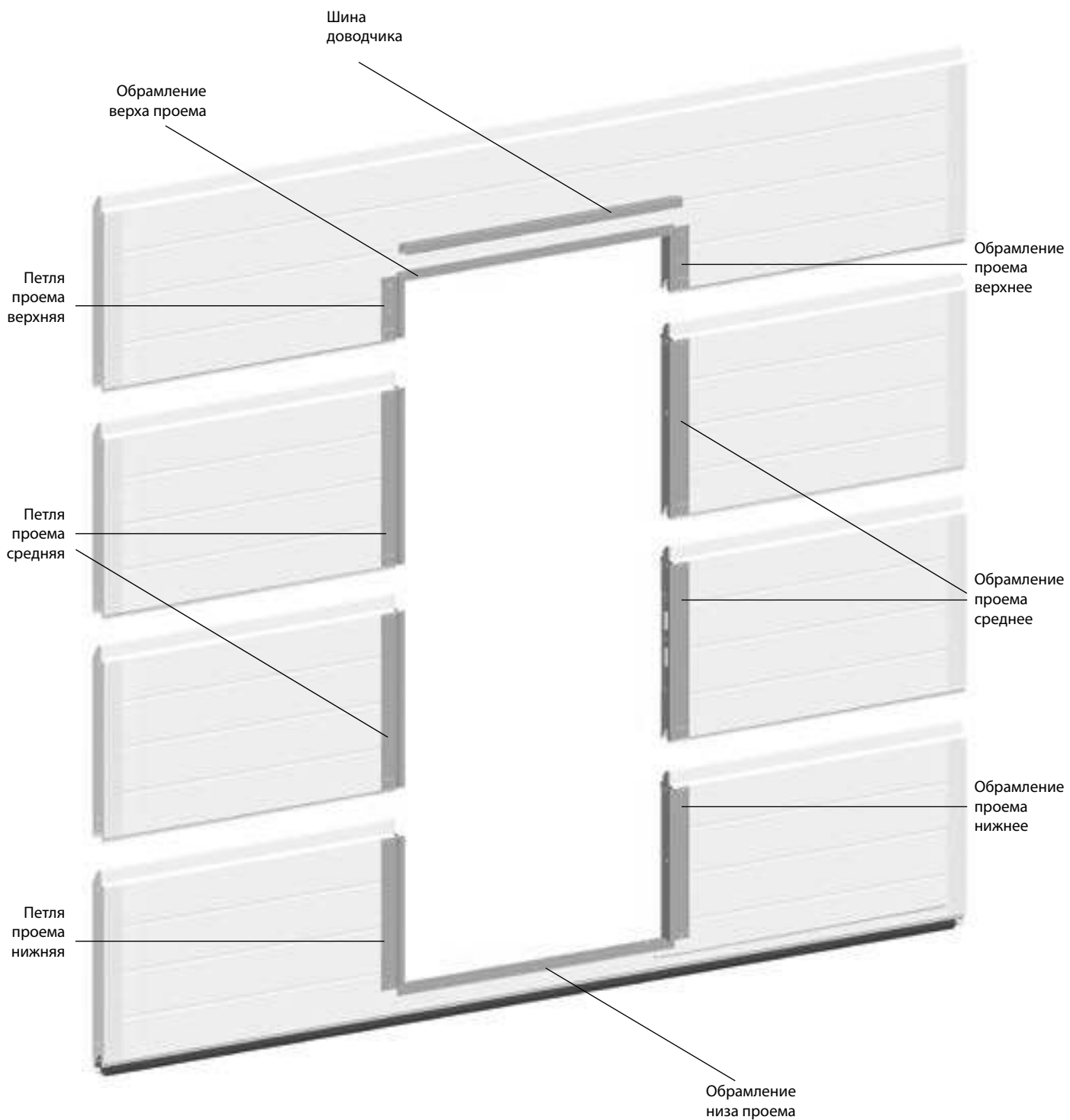
КАЛИТКА С ПЛОСКИМ ПОРОГОМ 20 ММ



3.2

УСТАНОВКА ПРОФИЛЕЙ ОБРАМЛЕНИЯ ПРОЕМА

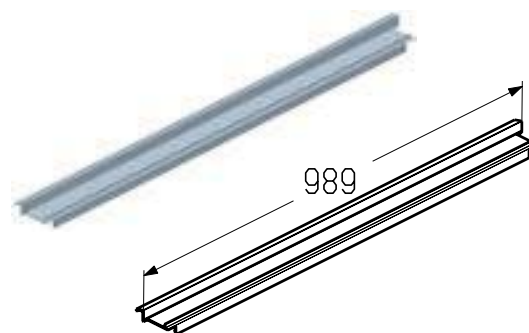
КАЛИТКА С НИЗКИМ ПОРОГОМ 100 И СТАНДАРТНЫМ ПОРОГОМ 145 ММ



Обрамление верха проема

Предназначено для обрамления проема верхней панели.
Используется в калитке с плоским, стандартным и низким порогом.

Длина, мм 989
 Материал алюминий
 Вес, кг/шт. 0,654
 Единица измерения шт.
 Норма поставки, шт. 10

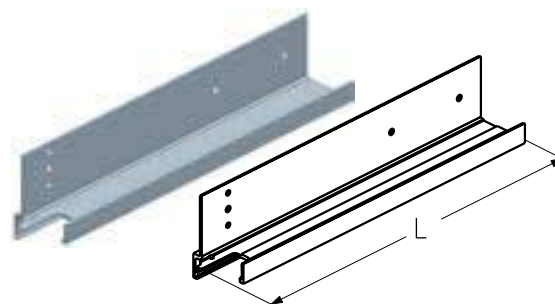


Арт.	Код	Покрытие	Цвет	Применение	Розничная цена, евро с НДС
WD403R.103	404110491	Анодированное	A00-D6 (серебро)	Для ворот с правой калиткой	18,00
WD403R.103	404110933	Порошковое	Близкий RAL 8019		18,00
WD403L.103	404110591	Анодированное	A00-D6 (серебро)	Для ворот с левой калиткой	18,00
WD403L.103	404111033	Порошковое	Близкий RAL 8019		18,00

Обрамление проема верхнее

Предназначено для обрамления проема верхней панели.
Используется в калитке с плоским, стандартным и низким порогом.

Материал алюминий
 Единица измерения шт.
 Норма поставки, шт. 10

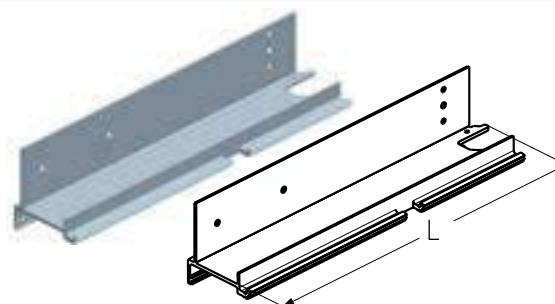


Арт.	Код	Покрытие	Цвет	Длина, мм	Вес, кг/шт.	Применение	Розничная цена, евро с НДС
WD403R.302	404110691	Анодированное	A00-D6 (серебро)	183	0,143	Для ворот с правой калиткой	5,00
WD403R.302	404111133	Порошковое	Близкий RAL 8019	183	0,143		5,00
WD404R.302	404110891	Анодированное	A00-D6 (серебро)	308	0,241		7,00
WD404R.302	404111333	Порошковое	Близкий RAL 8019	308	0,241		7,00
WD403L.302	404110791	Анодированное	A00-D6 (серебро)	183	0,143	Для ворот с левой калиткой	5,00
WD403L.302	404111233	Порошковое	Близкий RAL 8019	183	0,143		5,00
WD404L.302	404110991	Анодированное	A00-D6 (серебро)	308	0,241		7,00
WD404L.302	404111433	Порошковое	Близкий RAL 8019	308	0,241		7,00

Петля проема верхняя

Предназначена для обрамления проема верхней панели.
Используется в калитке с плоским, стандартным и низким порогом.

Материал алюминий
 Единица измерения шт.
 Норма поставки, шт. 10



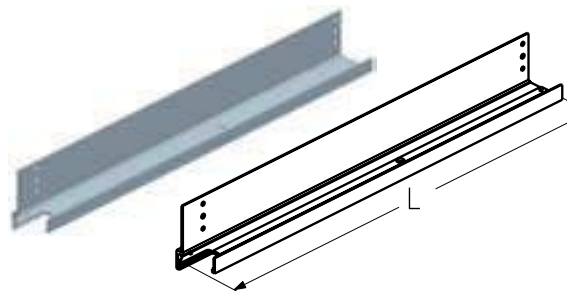
Арт.	Код	Покрытие	Цвет	Длина, мм	Вес, кг/шт.	Применение	Розничная цена, евро с НДС
WD403R.101	404110091	Анодированное	A00-D6 (серебро)	183	0,167	Для ворот с правой калиткой	6,00
WD403R.101	404110533	Порошковое	Близкий RAL 8019	183	0,167		6,00
WD404R.101	404110291	Анодированное	A00-D6 (серебро)	308	0,282		9,00
WD404R.101	404110733	Порошковое	Близкий RAL 8019	308	0,282		9,00
WD403L.101	404110191	Анодированное	A00-D6 (серебро)	183	0,167	Для ворот с левой калиткой	6,00
WD403L.101	404110633	Порошковое	Близкий RAL 8019	183	0,167		6,00
WD404L.101	404110391	Анодированное	A00-D6 (серебро)	308	0,282		9,00
WD404L.101	404110833	Порошковое	Близкий RAL 8019	308	0,282		9,00

ОБРАМЛЕНИЕ ПРОЕМА

Обрамление проема среднее

Предназначено для обрамления проема третьей панели.
Используется в калитке с плоским, стандартным и низким порогом.

Материалалюминий
Единица измеренияшт.
Норма поставки, шт.10

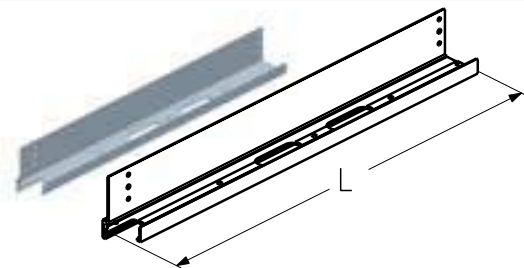


Арт.	Код	Покрытие	Цвет	Длина, мм	Вес, кг/шт.	Применение	Розничная цена, евро с НДС
WD350R.302	404121291	Анодированное	A00-D6 (серебро)	490,5	0,391	Для ворот с правой калиткой	10,00
WD350R.302	404121833	Порошковое	Близкий RAL 8019	490,5	0,391		10,00
WD360R.302	404121491	Анодированное	A00-D6 (серебро)	615,5	0,490		12,00
WD360R.302	404122033	Порошковое	Близкий RAL 8019	615,5	0,490		12,00
WD350L.302	404121391	Анодированное	A00-D6 (серебро)	490,5	0,391	Для ворот с левой калиткой	10,00
WD350L.302	404121933	Порошковое	Близкий RAL 8019	490,5	0,391		10,00
WD360L.302	404121591	Анодированное	A00-D6 (серебро)	615,5	0,490		12,00
WD360L.302	404122133	Порошковое	Близкий RAL 8019	615,5	0,490		12,00

Обрамление проема среднее

Предназначено для обрамления проема второй панели.
Используется в калитке с плоским, стандартным и низким порогом.

Материалалюминий
Единица измеренияшт.
Норма поставки, шт.10

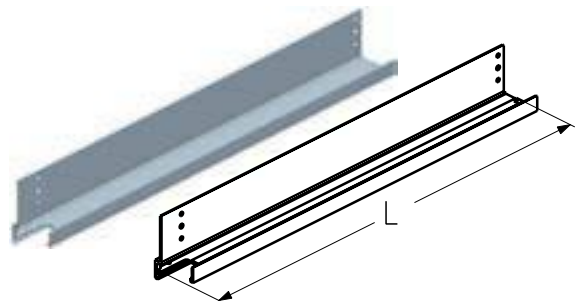


Арт.	Код	Покрытие	Цвет	Длина, мм	Вес, кг/шт.	Применение	Розничная цена, евро с НДС
WD250R.302	404120491	Анодированное	A00-D6 (серебро)	490,5	0,380	Для ворот с правой калиткой	10,50
WD250R.302	404121033	Порошковое	Близкий RAL 8019	490,5	0,380		10,50
WD260R.302	404120691	Анодированное	A00-D6 (серебро)	615,5	0,477		12,50
WD260R.302	404121233	Порошковое	Близкий RAL 8019	615,5	0,477		12,50
WD250L.302	404120591	Анодированное	A00-D6 (серебро)	490,5	0,380	Для ворот с левой калиткой	10,50
WD250L.302	404121133	Порошковое	Близкий RAL 8019	490,5	0,380		10,50
WD260L.302	404120791	Анодированное	A00-D6 (серебро)	615,5	0,477		12,50
WD260L.302	404121333	Порошковое	Близкий RAL 8019	615,5	0,477		12,50

Обрамление проема среднее

Предназначено для обрамления проема второй панели.
Используется в калитке с плоским, стандартным и низким порогом с замком «анти-паник».

Материалалюминий
Единица измеренияшт.
Норма поставки, шт.10

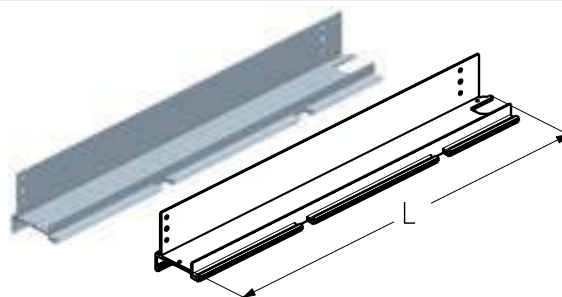


Арт.	Код	Покрытие	Цвет	Длина, мм	Вес, кг/шт.	Применение	Розничная цена, евро с НДС
WD250RA.302	404120891	Анодированное	A00-D6 (серебро)	490,5	0,391	Для ворот с правой калиткой	10,50
WD250RA.302	404120433	Порошковое	Близкий RAL 8019	490,5	0,391		10,50
WD260RA.302	404121091	Анодированное	A00-D6 (серебро)	615,5	0,490		12,50
WD260RA.302	404121633	Порошковое	Близкий RAL 8019	615,5	0,490		12,50
WD250LA.302	404120991	Анодированное	A00-D6 (серебро)	490,5	0,391	Для ворот с левой калиткой	10,50
WD250LA.302	404121533	Порошковое	Близкий RAL 8019	490,5	0,391		10,50
WD260LA.302	404121191	Анодированное	A00-D6 (серебро)	615,5	0,490		12,50
WD260LA.302	404121733	Порошковое	Близкий RAL 8019	615,5	0,490		12,50

ОБРАМЛЕНИЕ ПРОЕМА
Петля проема средняя

Предназначена для обрамления проема третьей и второй панелей.
Используется в калитке с плоским, стандартным и низким порогом.

Материалалюминий
 Единица измеренияшт.
 Норма поставки, шт.10

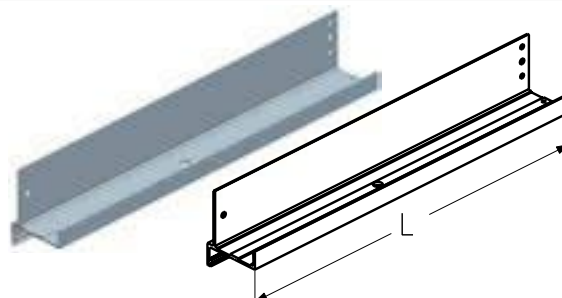


Арт.	Код	Покрытие	Цвет	Длина, мм	Вес, кг/шт.	Применение	Розничная цена, евро с НДС
WD250R.101	404120091	Анодированное	A00-D6 (серебро)	490,5	0,458	Для ворот с правой калиткой	13,50
WD250R.101	404120633	Порошковое	Бликий RAL 8019	490,5	0,458		13,50
WD260R.101	404120291	Анодированное	A00-D6 (серебро)	615,5	0,575		16,50
WD260R.101	404120833	Порошковое	Бликий RAL 8019	615,5	0,575		16,50
WD250L.101	404120191	Анодированное	A00-D6 (серебро)	490,5	0,458	Для ворот с левой калиткой	13,50
WD250L.101	404120733	Порошковое	Бликий RAL 8019	490,5	0,458		13,50
WD260L.101	404120391	Анодированное	A00-D6 (серебро)	615,5	0,575		16,50
WD260L.101	404120933	Порошковое	Бликий RAL 8019	615,5	0,575		16,50

Обрамление проема нижнее

Предназначено для обрамления проема нижней панели.
Используется в калитке со стандартным порогом.

Материалалюминий
 Единица измеренияшт.
 Норма поставки, шт.10

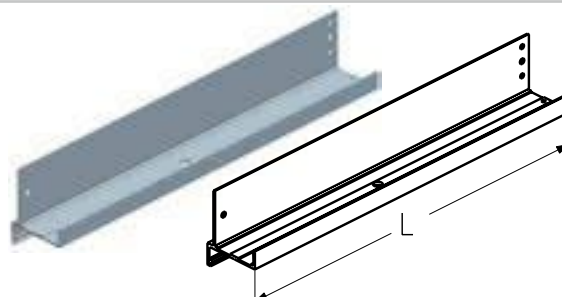


Арт.	Код	Покрытие	Цвет	Длина, мм	Вес, кг/шт.	Применение	Розничная цена, евро с НДС
WD152R.302	404131291	Анодированное	A00-D6 (серебро)	369	0,305	Для ворот с правой калиткой	8,00
WD152R.302	404132033	Порошковое	Бликий RAL 8019	369	0,305		8,00
WD162R.302	404131691	Анодированное	A00-D6 (серебро)	494	0,409		10,00
WD162R.302	404132433	Порошковое	Бликий RAL 8019	494	0,409		10,00
WD152L.302	404131391	Анодированное	A00-D6 (серебро)	369	0,305	Для ворот с левой калиткой	8,00
WD152L.302	404132133	Порошковое	Бликий RAL 8019	369	0,305		8,00
WD162L.302	404131791	Анодированное	A00-D6 (серебро)	494	0,409		10,00
WD162L.302	404132533	Порошковое	Бликий RAL 8019	494	0,409		10,00

Обрамление проема нижнее

Предназначено для обрамления проема нижней панели.
Используется в калитке с низким порогом.

Материалалюминий
 Единица измеренияшт.
 Норма поставки, шт.10



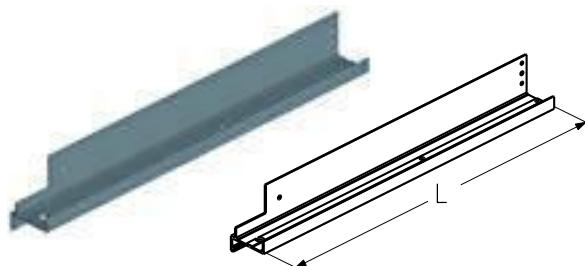
Арт.	Код	Покрытие	Цвет	Длина, мм	Вес, кг/шт.	Применение	Розничная цена, евро с НДС
WD151R.302	404131091	Анодированное	A00-D6 (серебро)	414	0,343	Для ворот с правой калиткой	9,00
WD151R.302	404131833	Порошковое	Бликий RAL 8019	414	0,343		9,00
WD161R.302	404131491	Анодированное	A00-D6 (серебро)	539	0,446		11,00
WD161R.302	40413223	Порошковое	Бликий RAL 8019	539	0,446		11,00
WD151L.302	404131191	Анодированное	A00-D6 (серебро)	414	0,343	Для ворот с левой калиткой	9,00
WD151L.302	404131933	Порошковое	Бликий RAL 8019	414	0,343		9,00
WD161L.302	404131591	Анодированное	A00-D6 (серебро)	539	0,446		11,00
WD161L.302	404132333	Порошковое	Бликий RAL 8019	539	0,446		11,00

ОБРАМЛЕНИЕ ПРОЕМА

Обрамление проема нижнее

Предназначено для обрамления проема нижней панели.
Используется в калитке с плоским порогом.

Материалалюминий
Единица измеренияшт.
Норма поставки, шт.10

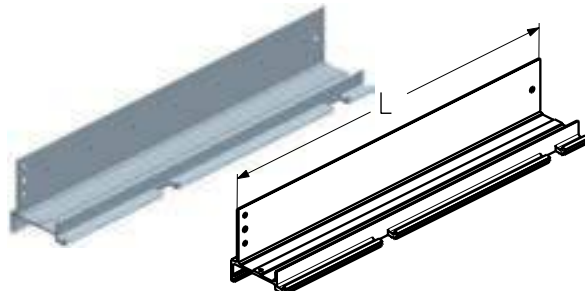


Арт.	Код	Покрытие	Цвет	Длина, мм	Вес, кг/шт.	Применение	Розничная цена, евро с НДС
WD-153R.302	404232491	Анодированное	A00-D6 (серебро)	493	0,394	Для ворот с правой калиткой	10,50
WD-153R.302	404232433	Порошковое	Близкий RAL 8019	493	0,394		10,50
WD-163R.302	404232591	Анодированное	A00-D6 (серебро)	618	0,497		12,50
WD-163R.302	404232533	Порошковое	Близкий RAL 8019	618	0,497		12,50
WD-153L.302	404131891	Анодированное	A00-D6 (серебро)	493	0,394	Для ворот с левой калиткой	10,50
WD-153L.302	404132633	Порошковое	Близкий RAL 8019	493	0,394		10,50
WD-163L.302	404132091	Анодированное	A00-D6 (серебро)	618	0,497		12,50
WD-163L.302	404132833	Порошковое	Близкий RAL 8019	618	0,497		12,50

Петля проема нижняя

Предназначено для обрамления проема нижней панели.
Используется в калитке со стандартным порогом.

Материалалюминий
Единица измеренияшт.
Норма поставки, шт.10

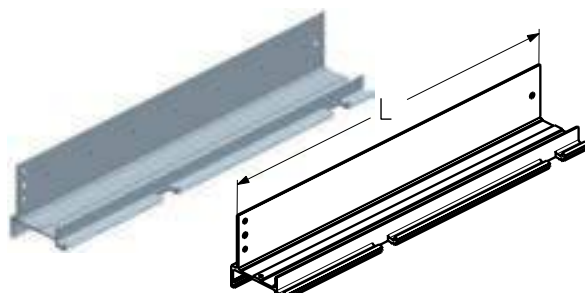


Арт.	Код	Покрытие	Цвет	Длина, мм	Вес, кг/шт.	Применение	Розничная цена, евро с НДС
WD152R.101	404130291	Анодированное	A00-D6 (серебро)	369	0,355	Для ворот с правой калиткой	9,50
WD152R.101	404131033	Порошковое	Близкий RAL 8019	369	0,355		9,50
WD162R.101	404130691	Анодированное	A00-D6 (серебро)	494	0,475		12,00
WD162R.101	404131433	Порошковое	Близкий RAL 8019	494	0,475		12,00
WD152L.101	404130391	Анодированное	A00-D6 (серебро)	369	0,355	Для ворот с левой калиткой	9,50
WD152L.101	404131133	Порошковое	Близкий RAL 8019	369	0,355		9,50
WD162L.101	404130791	Анодированное	A00-D6 (серебро)	494	0,475		12,00
WD162L.101	404131533	Порошковое	Близкий RAL 8019	494	0,475		12,00

Петля проема нижняя

Предназначено для обрамления проема нижней панели.
Используется в калитке с низким порогом.

Материалалюминий
Единица измеренияшт.
Норма поставки, шт.10

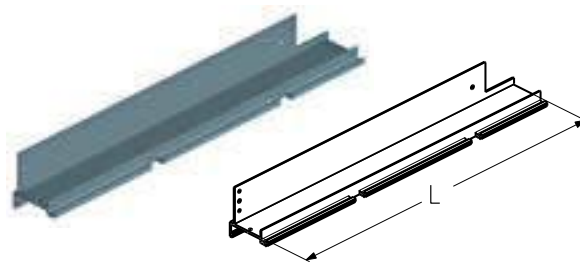


Арт.	Код	Покрытие	Цвет	Длина, мм	Вес, кг/шт.	Применение	Розничная цена, евро с НДС
WD151R.101	404130091	Анодированное	A00-D6 (серебро)	414	0,398	Для ворот с правой калиткой	10,50
WD151R.101	404130833	Порошковое	Близкий RAL 8019	414	0,398		10,50
WD161R.101	404130491	Анодированное	A00-D6 (серебро)	539	0,518		13,00
WD161R.101	404131233	Порошковое	Близкий RAL 8019	539	0,518		13,00
WD151L.101	404130191	Анодированное	A00-D6 (серебро)	414	0,398	Для ворот с левой калиткой	10,50
WD151L.101	404130933	Порошковое	Близкий RAL 8019	414	0,398		10,50
WD161L.101	404130591	Анодированное	A00-D6 (серебро)	539	0,518		13,00
WD161L.101	404131333	Порошковое	Близкий RAL 8019	539	0,518		13,00

Петля проема нижняя

Предназначено для обрамления проема нижней панели.
Используется в калитке с плоским порогом.

Материалалюминий
 Единица измеренияшт.
 Норма поставки, шт.10

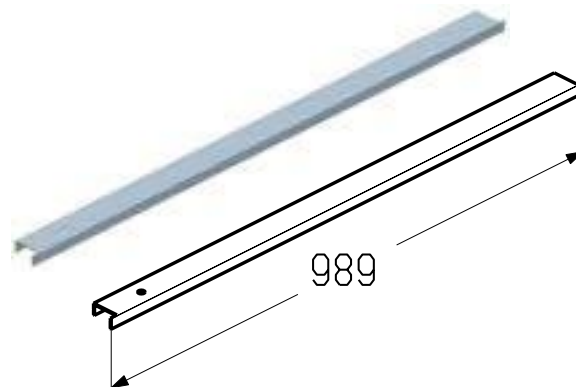


Арт.	Код	Покрытие	Цвет	Длина, мм	Вес, кг/шт.	Применение	Розничная цена, евро с НДС
WD-153R.101	404232291	Анодированное	A00-D6 (серебро)	493	0,52	Для ворот с правой калиткой	12,00
WD-153R.101	404232233	Порошковое	Бликий RAL 8019	493	0,52		12,00
WD-153L.101	404233391	Анодированное	A00-D6 (серебро)	618	0,653		12,00
WD-153L.101	404233333	Порошковое	Бликий RAL 8019	618	0,653		12,00
WD-163R.101	404232391	Анодированное	A00-D6 (серебро)	493	0,52	Для ворот с левой калиткой	15,00
WD-163R.101	404232333	Порошковое	Бликий RAL 8019	493	0,52		15,00
WD-163L.101	404233491	Анодированное	A00-D6 (серебро)	618	0,653		15,00
WD-163L.101	404233433	Порошковое	Бликий RAL 8019	618	0,653		15,00

Порог

Предназначен для установки совместно с профилями усиливающими (PRG12, PRG13).
Используется в калитке со стандартным и низким порогом.

Длина, мм989
 Материалалюминий
 Вес, кг/шт.0,442
 Единица измеренияшт.
 Норма поставки, шт.10

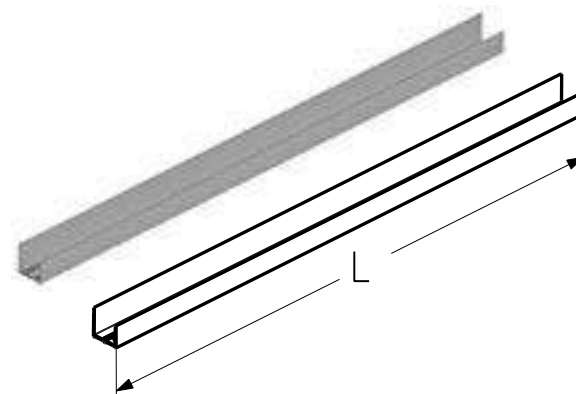


Арт.	Код	Покрытие	Цвет	Применение	Розничная цена, евро с НДС
WD151R.103	404130891	Анодированное	A00-D6 (серебро)	Для ворот с правой калиткой	12,50
WD151R.103	404131633	Порошковое	Бликий RAL 8019		
WD151L.103	404130991	Анодированное	A00-D6 (серебро)	Для ворот с левой калиткой	
WD151L.103	404131733	Порошковое	Бликий RAL 8019		

Профиль воротный

Предназначен для обрамления нижней панели.
Используется в калитке с плоским порогом.

Длина, мм6000
 Вес, кг/шт.0,74
 Материалалюминий
 Единица измерениям
 Норма поставки, м24



Арт.	Код	Покрытие	Цвет	Розничная цена, евро с НДС
PRD71	401490291	Анодированное	A00-D6 (серебро)	15,00
PRD71	401492433	Порошковое	Бликий RAL 8019	14,00

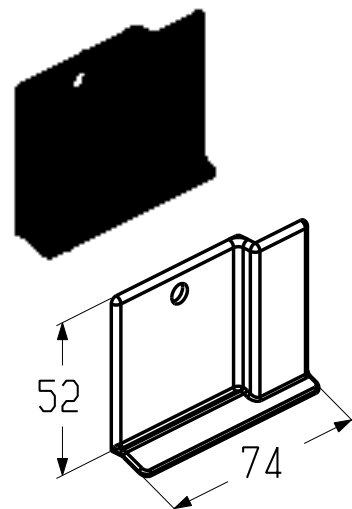
ОБРАМЛЕНИЕ ПРОЕМА

Заглушка калиточная

Устанавливается совместно с нижним профилем (PRD71).
Используется в калитке с плоским порогом.

МатериалABS
Вес, кг/шт.0,009
Единица измеренияшт.
Норма поставки, шт.500

Арт.	Код	Цвет	Применение	Розничная цена, евро с НДС
WD2034R-GR	401713300	Серый	Правая	0,65
WD2034R-BR	401713500	Коричневый		
WD2034R-BK	401713700	Черный		
WD2034L-GR	401713200	Серый	Левая	
WD2034L-BR	401713400	Коричневый		
WD2034L-BK	401713600	Черный		

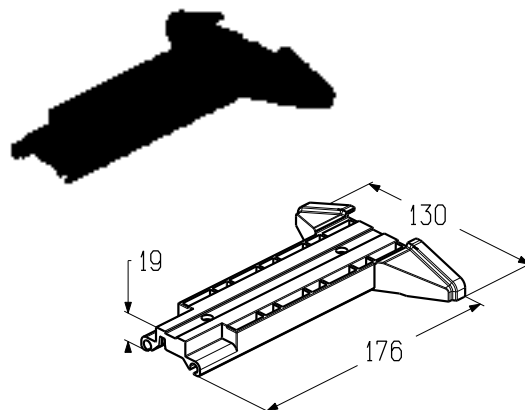


Вставка концевая

Устанавливается совместно с нижним профилем (PRD70).
Используется в калитке с плоским порогом.

МатериалРА
Вес, кг/шт.0,064
Единица измеренияшт.
Норма поставки, шт.60

Арт.	Код	Цвет	Розничная цена, евро с НДС
WD2033	401713800	Черный	5,80

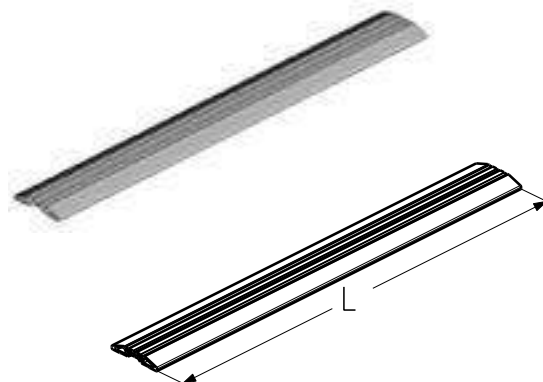


Профиль воротный

Предназначен для установки в нижнюю панель.
Выполняет функцию порога калитки.
Используется в калитке с плоским порогом.

Материалалюминий
Длина (L), мм6000
Вес, кг/м2,71
Единица измерениям
Норма поставки, м

Арт.	Код	Покрытие	Цвет	Розничная цена, евро с НДС
PRD70	401490130	Порошковое	близкий RAL 9005	48,00

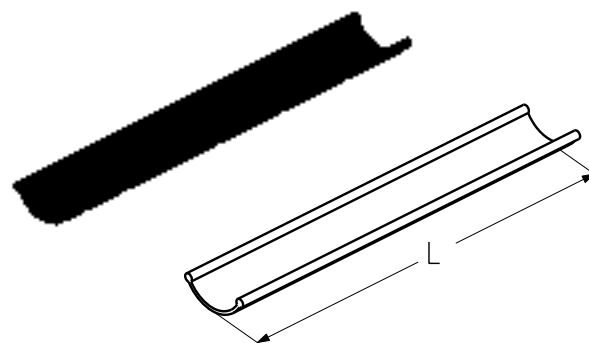


Вставка уплотнительная

Предназначена для герметизации нижней части проема.
Устанавливается в профиль воротный (PRD70).
Используется в калитке с плоским порогом.

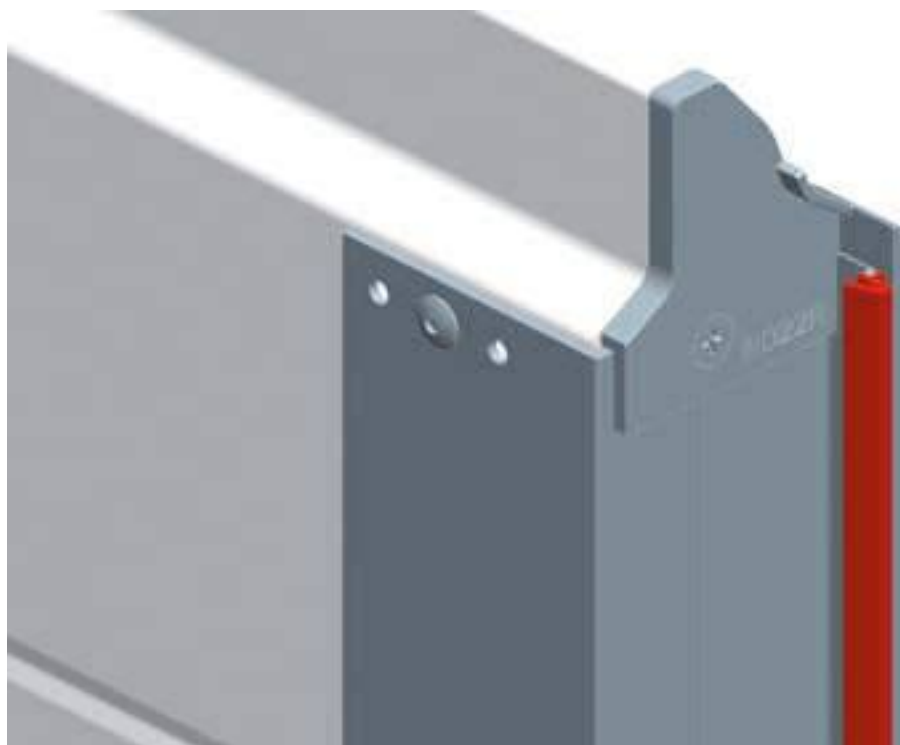
МатериалEPDM
Вес, кг/м 0,11
Единица измерениям
Норма поставки, м 125

Арт.	Код	Розничная цена без НДС, €
RSB09	401510700	3,20



3.2

УСТАНОВКА ВСТАВКИ УПЛОТНИТЕЛЬНОЙ

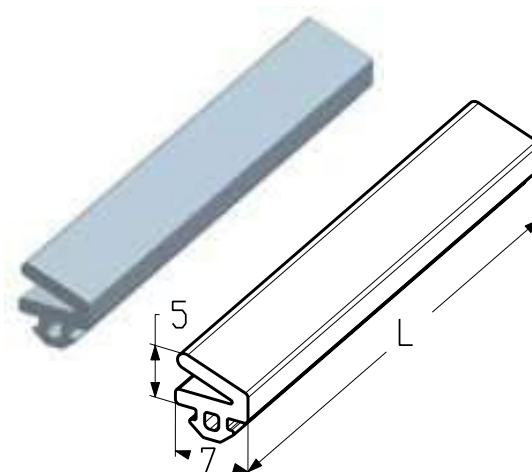


Вставка уплотнительная

Предназначена для герметизации проема калитки.
Устанавливается в обрамление проема и обрамление калитки.
Используется в калитке с плоским, стандартным и низким порогом.

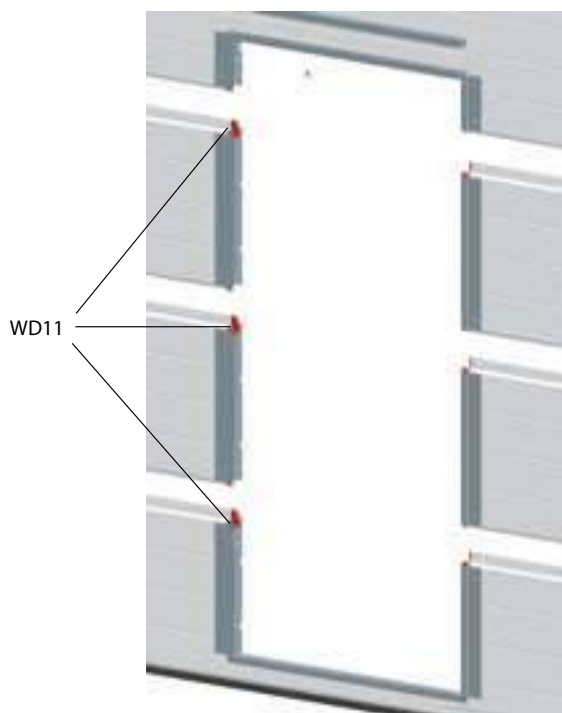
МатериалEPDM
Вес, кг/м 0,23
Единица измерениям
Норма поставки, м 475

Арт.	Код	Розничная цена, евро с НДС
RSW06	401560100	0,65



ОБРАМЛЕНИЕ ПРОЕМА

УСТАНОВКА ЗАГЛУШКИ



WD11



WD32

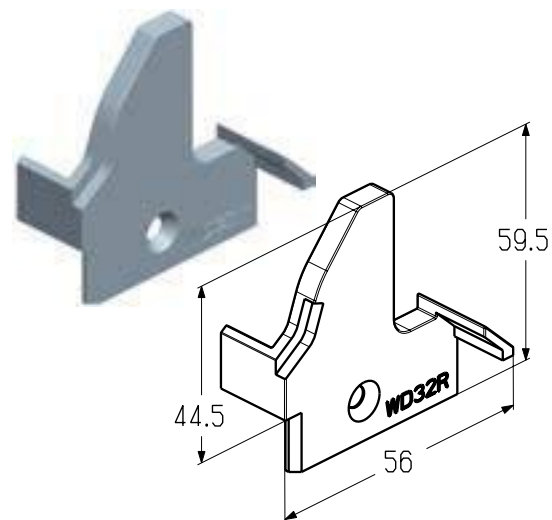
3.2

Заглушка

Устанавливается совместно с обрамлением проема нижней и промежуточных панелей.
Используется в калитке с плоским, стандартным и низким порогом.

МатериалРА
Вес, кг/шт.0,009
Единица измеренияшт.
Норма поставки, шт.90

Арт.	Код	Цвет	Применение	Розничная цена, евро с НДС
WD32R-GR	401711700	Серый	Для ворот с правой калиткой	0,85
WD32R-BR	401711800	Коричневый		
WD32L-GR	401711900	Серый	Для ворот с левой калиткой	
WD32L-BR	401712000	Коричневый		

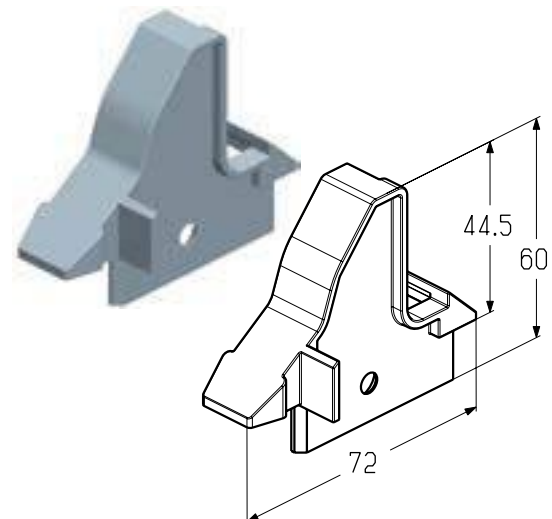


Заглушка

Устанавливается совместно с петлей проема нижней и промежуточных панелей.
Используется в калитке с плоским, стандартным и низким порогом.

МатериалРА
Вес, кг/шт.0,011
Единица измеренияшт.
Норма поставки, шт.90

Арт.	Код	Цвет	Применение	Розничная цена, евро с НДС
WD11R-GR	401710500	Серый	Для ворот с правой калиткой	0,90
WD11R-BR	401710600	Коричневый		
WD11L-GR	401710700	Серый	Для ворот с левой калиткой	
WD11L-BR	401710800	Коричневый		



УСТАНОВКА ЗАГЛУШКИ



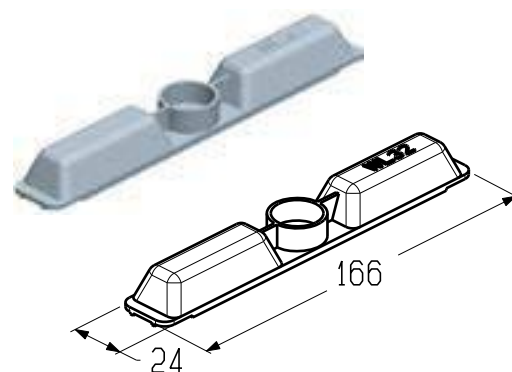
3.2

Заглушка

Предназначена для установки совместно с обрамлением проема второй панелей. Используется в калитке с плоским, стандартным и низким порогом.

Материал.....РА
 Цвет.....черный
 Вес, кг/шт.....0,017
 Единица измеренияшт.
 Норма поставки, шт.....300

Арт.	Код	Розничная цена, евро без НДС
WL32	404410800	2,00

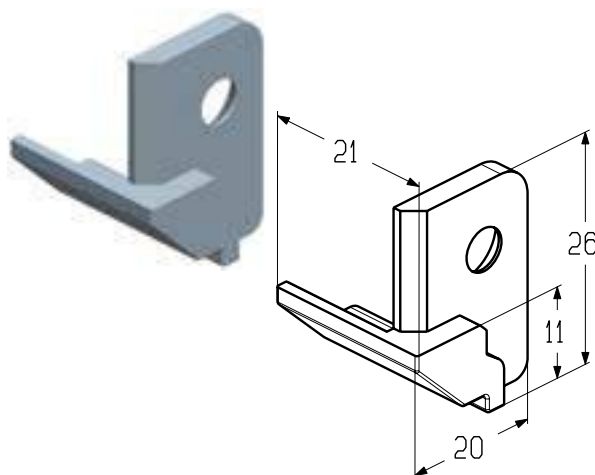


Заглушка нижняя

Устанавливается совместно с обрамлением и петлей проема верхней и промежуточных панелей. Используется в калитке с плоским, стандартным и низким порогом.

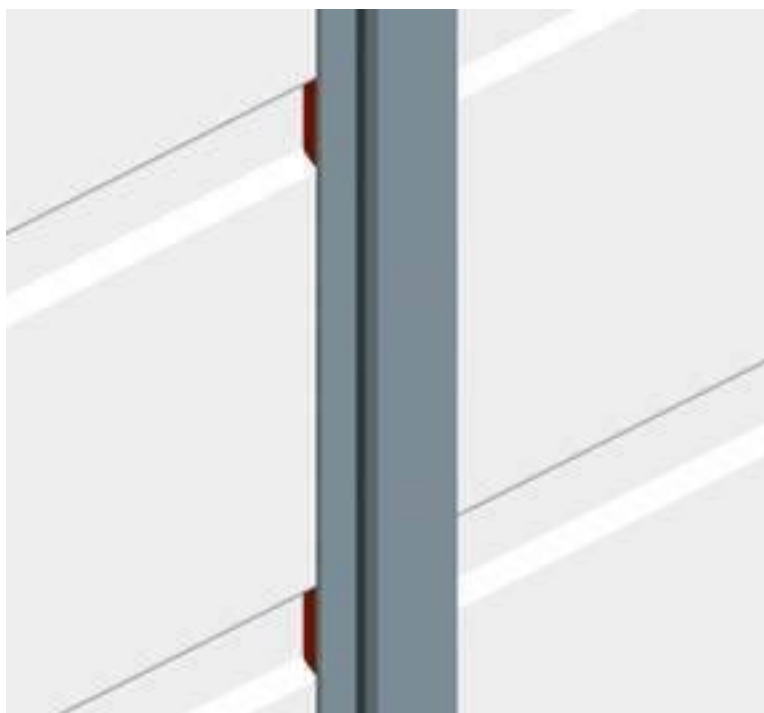
Материал.....РА
 Вес, кг/шт.....0,002
 Единица измеренияшт.
 Норма поставки, шт.....90

Арт.	Код	Цвет	Розничная цена, евро с НДС
WD01R-GR	401710100	Серый	0,40
WD01R-BR	401710200	Коричневый	
WD01L-GR	401710300	Серый	
WD01L-BR	401710400	Коричневый	



ОБРАМЛЕНИЕ ПРОЕМА

УСТАНОВКА ЗАГЛУШКИ КАЛИТОЧНОЙ



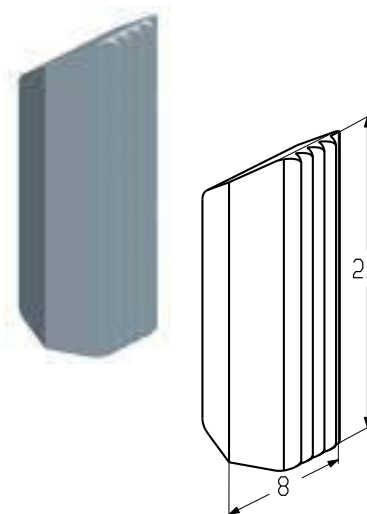
3.2

Заглушка калиточная

Предназначена для установки совместно с обрамлением проема и обрамлением калитки.
Устанавливается под обрамление в каждый зиг панелей с рисунком «S-гофр».
Используется в калитке с плоским, стандартным и низким порогом.

Материал полиуретан
Вес, кг/шт. 0,001
Единица измерения шт.
Норма поставки, шт. 18000

Арт.	Код	Розничная цена, евро с НДС
WD2028	401713100	0,25



УСТАНОВКА СКОБЫ И КРОНШТЕЙНА

Скоба WD2013

Кронштейн WD2014



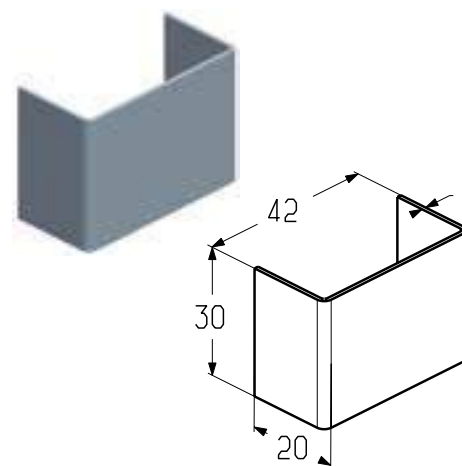
3.2

Скоба

Предназначена для усиления петли проема и петли калитки по всей высоте встроенной калитки.
Используется в калитке с плоским, стандартным и низким порогом.

Материал.....оцинкованная сталь
Вес, кг/шт.0,019
Единица измеренияшт.
Норма поставки, шт.80

Арт.	Код	Розничная цена, евро с НДС
WD2013	401750100	0,40

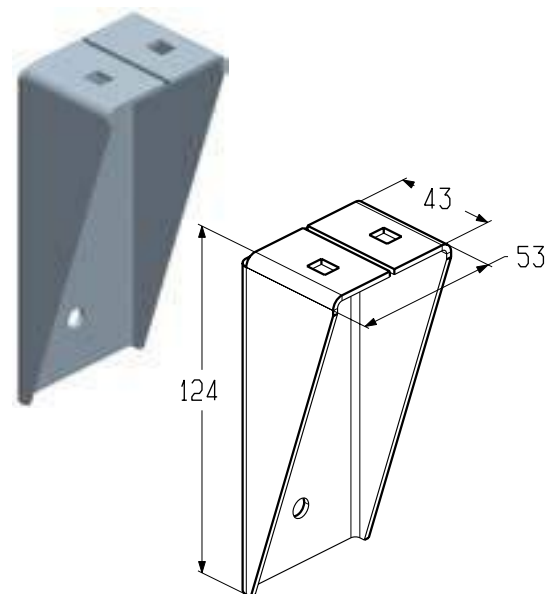


Кронштейн

Предназначен для усиления верхней калиточной панели.
Устанавливается совместно с профилем усиливающим (PRG16, PRG17).
Используется в калитке с плоским, стандартным и низким порогом.

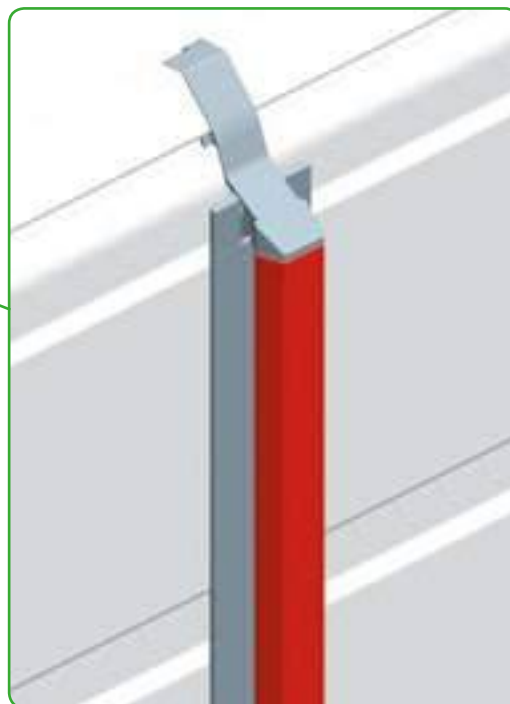
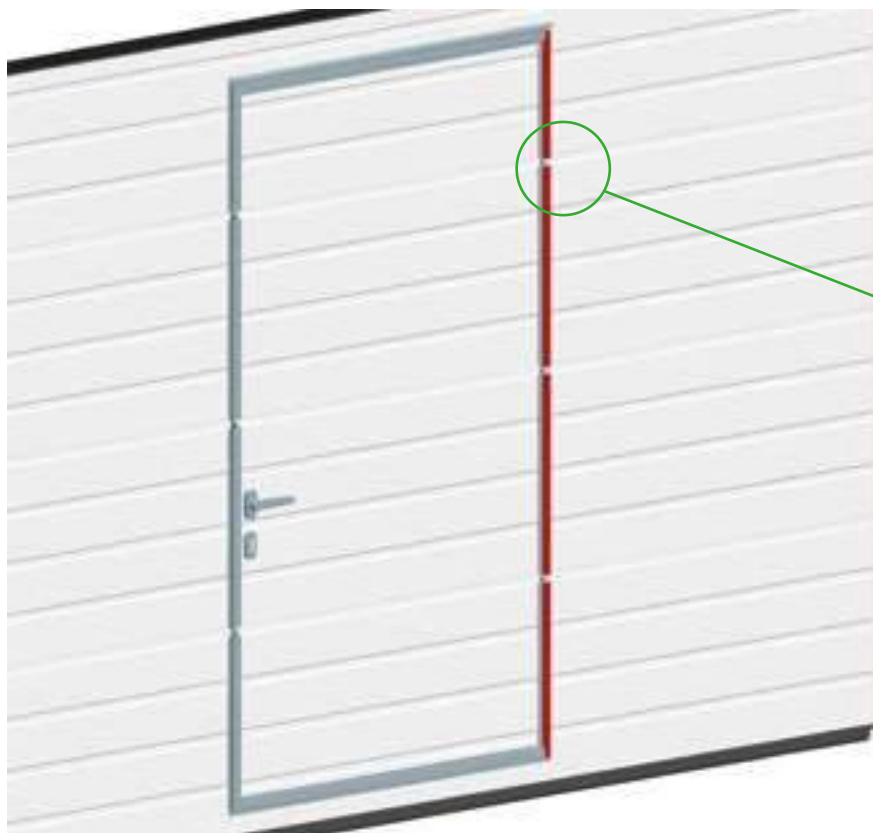
Материал.....оцинкованная сталь
Покрытие.....полимерное
Цвет.....бело-серый (близкий RAL 9002)
Вес, кг/шт.0,21
Единица измеренияшт.
Норма поставки, шт.40

Арт.	Код	Розничная цена, евро с НДС
WD2014	401750200	5,70



ПЕТЛЯ КАЛИТКИ

УСТАНОВКА ЭЛЕМЕНТА ПЕТЛИ



Элемент верхней петли

Предназначен для соединения петли калитки и петли проема верхней панели.
Используется в калитке с плоским, стандартным и низким порогом.

Материал.....алюминий
Единица измеренияшт.
Норма поставки, шт.10

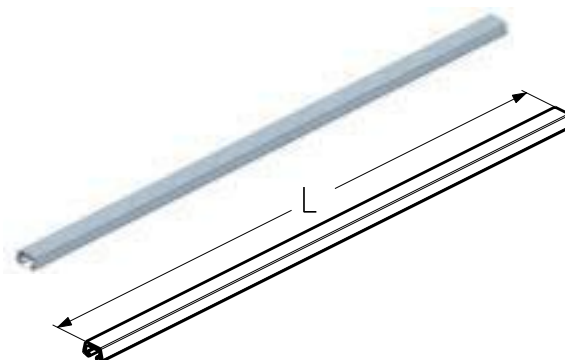


Арт.	Код	Покрытие	Цвет	Длина, мм	Вес, кг/шт.	Применение	Розничная цена, евро с НДС
WD403R.001	404210091	Анодированное	A00-D6 (серебро)	183	0,041	Для ворот с правой калиткой	2,00
WD403R.001	404211233	Порошковое	Ближкий RAL 8019	183	0,041		1,60
WD404R.001	404210291	Анодированное	A00-D6 (серебро)	308	0,069		2,50
WD404R.001	404211433	Порошковое	Ближкий RAL 8019	308	0,069		2,30
WD403L.001	404210191	Анодированное	A00-D6 (серебро)	183	0,041	Для ворот с левой калиткой	2,00
WD403L.001	404211333	Порошковое	Ближкий RAL 8019	183	0,041		1,60
WD404L.001	404210391	Анодированное	A00-D6 (серебро)	308	0,069		2,50
WD404L.001	404211533	Порошковое	Ближкий RAL 8019	308	0,069		2,30

Элемент средней петли

Предназначен для соединения петли калитки и петли проема промежуточных панелей.
Используется в калитке с плоским, стандартным и низким порогом.

Материалалюминий
Единица измеренияшт.
Норма поставки, шт.10

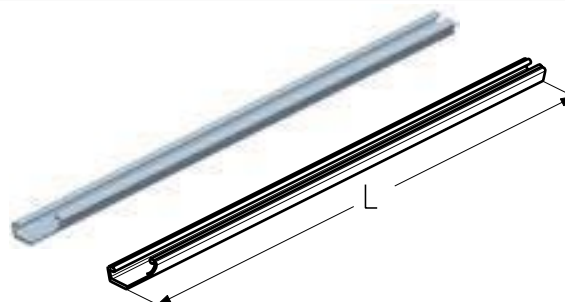


Арт.	Код	Покрытие	Цвет	Длина, мм	Вес, кг/шт.	Применение	Розничная цена, евро с НДС
WD250R.001	404220091	Анодированное	A00-D6 (серебро)	481	0,116	Для ворот с правой калиткой	3,50
WD250R.001	404221033	Порошковое	Близкий RAL 8019	481	0,116		3,00
WD260R.001	404220191	Анодированное	A00-D6 (серебро)	606	0,146	Для ворот с левой калиткой	4,00
WD260R.001	404221133	Порошковое	Близкий RAL 8019	606	0,146		3,70

Элемент нижней петли

Предназначен для соединения петли калитки и петли проема нижней панели.
Используется в калитке со стандартным порогом.

Материалалюминий
Единица измеренияшт.
Норма поставки, шт.10

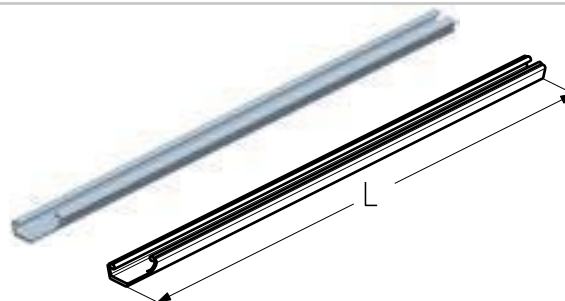


Арт.	Код	Покрытие	Цвет	Длина, мм	Вес, кг/шт.	Применение	Розничная цена, евро с НДС
WD152R.001	404230291	Анодированное	A00-D6 (серебро)	377	0,165	Для ворот с правой калиткой	3,00
WD152R.001	404231433	Порошковое	Близкий RAL 8019	377	0,165		2,60
WD162R.001	404230691	Анодированное	A00-D6 (серебро)	502	0,220		3,50
WD162R.001	404231833	Порошковое	Близкий RAL 8019	502	0,220		3,30
WD152L.001	404230391	Анодированное	A00-D6 (серебро)	377	0,165	Для ворот с левой калиткой	3,00
WD152L.001	404231533	Порошковое	Близкий RAL 8019	377	0,165		2,60
WD162L.001	404230791	Анодированное	A00-D6 (серебро)	502	0,220		3,50
WD162L.001	404231933	Порошковое	Близкий RAL 8019	502	0,220		3,30

Элемент нижней петли

Предназначен для соединения петли калитки и петли проема нижней панели.
Используется в калитке с низким порогом.

Материалалюминий
Единица измеренияшт.
Норма поставки, шт.10



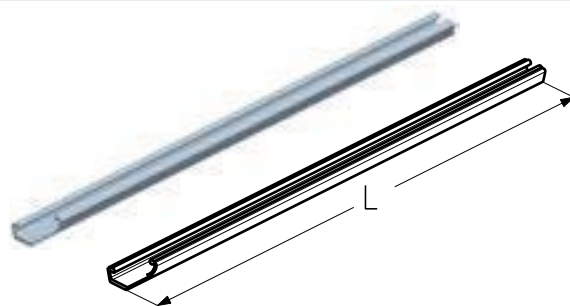
Арт.	Код	Покрытие	Цвет	Длина, мм	Вес, кг/шт.	Применение	Розничная цена, евро с НДС
WD151R.001	404230091	Анодированное	A00-D6 (серебро)	422	0,185	Для ворот с правой калиткой	3,00
WD151R.001	404231233	Порошковое	Близкий RAL 8019	422	0,185		2,90
WD161R.001	404230491	Анодированное	A00-D6 (серебро)	547	0,240		3,70
WD161R.001	404231633	Порошковое	Близкий RAL 8019	547	0,240		3,60
WD151L.001	404230191	Анодированное	A00-D6 (серебро)	422	0,185	Для ворот с левой калиткой	3,00
WD151L.001	404231333	Порошковое	Близкий RAL 8019	422	0,185		2,90
WD161L.001	404230591	Анодированное	A00-D6 (серебро)	547	0,240		3,70
WD161L.001	404231733	Порошковое	Близкий RAL 8019	547	0,240		3,60

ПЕТЛЯ КАЛИТКИ

Элемент нижней петли

Предназначен для соединения петли калитки и петли проема нижней панели.
Используется в калитке с плоским порогом.

Материалалюминий
Единица измеренияшт.
Норма поставки, шт.10



Арт.	Код	Покрытие	Цвет	Длина, мм	Вес, кг/шт.	Применение	Розничная цена, евро с НДС
WD-153R.001	404232091	Анодированное	A00-D6 (серебро)	493	0,113	Для ворот с правой калиткой	3,40
WD-153R.001	404232033	Порошковое	Близкий RAL 8019	493	0,113		3,30
WD-153L.001	404233591	Анодированное	A00-D6 (серебро)	618	0,142		3,40
WD-153L.001	404233533	Порошковое	Близкий RAL 8019	618	0,142		3,30
WD-163R.001	404232191	Анодированное	A00-D6 (серебро)	493	0,113	Для ворот с левой калиткой	4,20
WD-163R.001	404232133	Порошковое	Близкий RAL 8019	493	0,113		4,00
WD-163L.001	404233691	Анодированное	A00-D6 (серебро)	618	0,142		4,20
WD-163L.001	404233633	Порошковое	Близкий RAL 8019	618	0,142		4,00

УСТАНОВКА ПЕТЛИ ПРОМЕЖУТОЧНОЙ

Петля промежуточная (WH011)



Петля промежуточная (WH013)

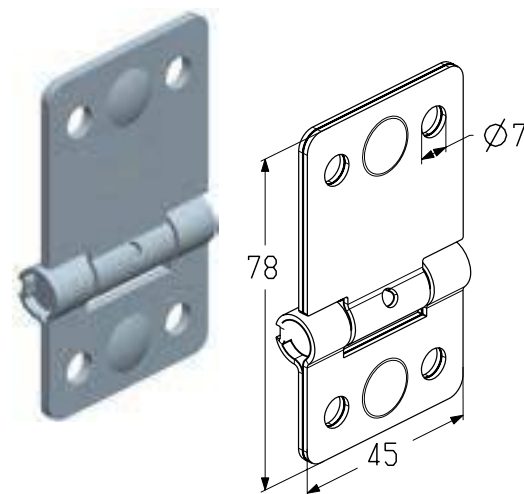
3.2

Петля промежуточная

Предназначена для соединения калиточных панелей.
Используется в калитке с плоским, стандартным и низким порогом.

Материал нержавеющая сталь
Вес, кг/шт. 0,08
Единица измерения шт.
Норма поставки, шт. 40

Арт.	Код	Розничная цена, евро с НДС
WH011	404240100	3,40

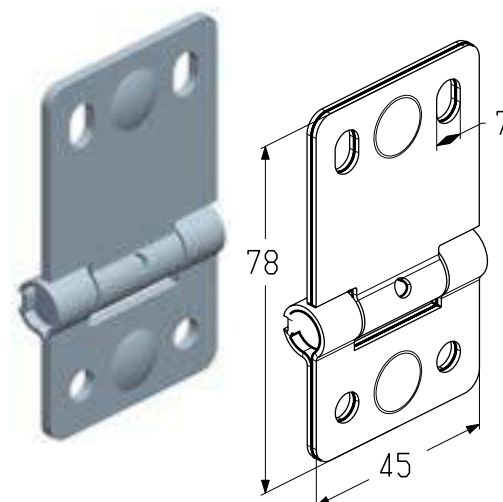


Петля промежуточная

Предназначена для соединения калиточных панелей.
Используется в калитке с плоским, стандартным и низким порогом.

Материал нержавеющая сталь
Вес, кг/шт. 0,08
Единица измерения шт.
Норма поставки, шт. 40

Арт.	Код	Розничная цена, евро с НДС
WH013	404240300	3,80



УСТАНОВКА СУХАРЯ

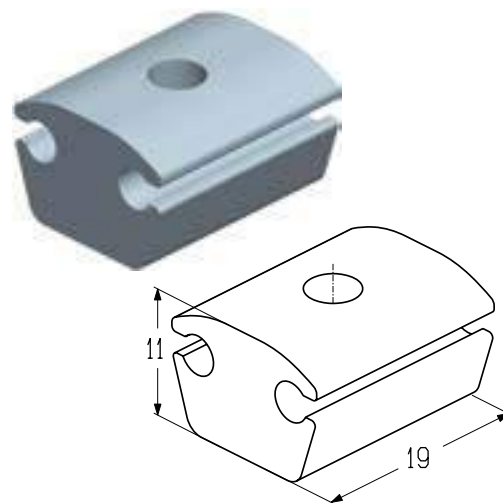


3.2

Сухарь

Предназначен для предотвращения взаимного перемещения петли проема относительно петли калитки.
Используется в калитке с плоским, стандартным и низким порогом.

Материал пластмасса
Вес, кг/шт. 0,003
Единица измерения шт.
Норма поставки, шт. 100



Арт.	Код	Розничная цена, евро с НДС
WD100	401720100	0,65

УСТАНОВКА ПРОФИЛЯ УСИЛИВАЮЩЕГО

Профиль усиливающий PRG-12



Профиль усиливающий PRG-13



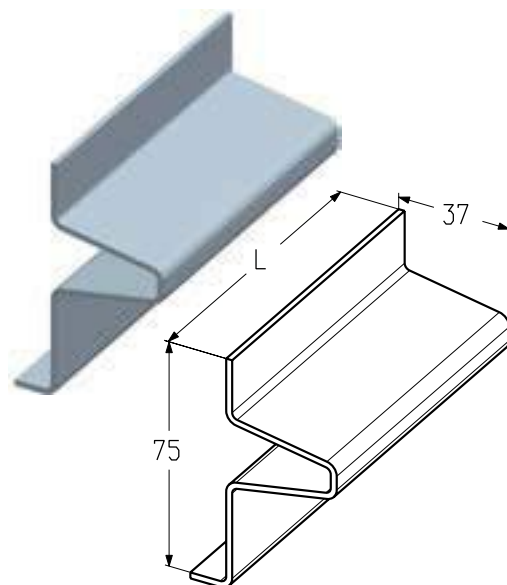
3.2

Профиль усиливающий

Предназначен для усиления нижней калиточной секции.
Используется в калитке с низким порогом.

Материал.....оцинкованная сталь
Покрытие.....полимерное
Цвет.....бело-серый (близкий RAL 9002)
Вес, кг/м2,46
Единица измеренияМ

Арт.	Код	Длина, мм	Норма поставки, м		Розничная цена, евро с НДС
			м	шт	
PRG-12	401411110	5940	249,48	42	16,50
		6270	263,34	42	

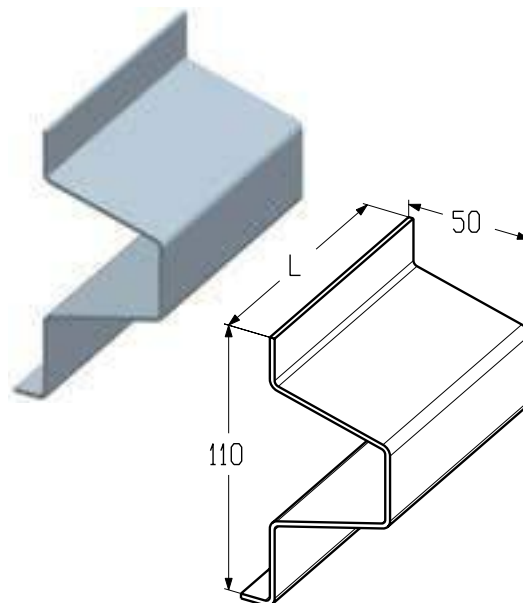


Профиль усиливающий

Предназначен для усиления нижней калиточной секции.
Используется в калитке со стандартным порогом.

Материал.....оцинкованная сталь
Покрытие.....полимерное
Цвет.....бело-серый (близкий RAL 9002)
Вес, кг/м3,04
Единица измеренияМ

Арт.	Код	Длина, мм	Норма поставки, м		Розничная цена, евро с НДС
			м	шт	
PRG-13	401411210	4620	138,6	30	23,00
		4950	148,5	30	
		6600	198,0	30	



ПРОФИЛИ ДЛЯ ВСТРОЕННОЙ КАЛИТКИ

УСТАНОВКА ЗАГЛУШКИ

Заглушка WD12PR/L

Заглушка WD13PR/L

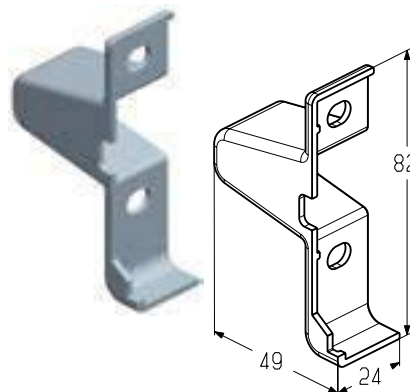


Заглушка

Устанавливается совместно с профилем усиливающим (PRG12).
Используется в калитке с низким порогом.

МатериалPA
Вес, кг/шт.0,009
Единица измеренияшт.
Норма поставки, шт. 650

Арт.	Код	Примечание	Розничная цена, евро с НДС
WD12PL	401712200	Левый	0,50
WD12PR	401712100	Правый	0,50

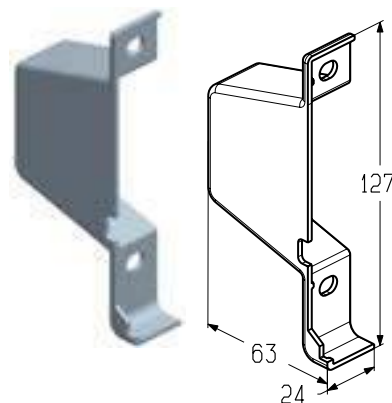


Заглушка

Устанавливается совместно с профилем усиливающим (PRG13).
Используется в калитке со стандартным порогом.

МатериалPA
Вес, кг/шт.0,016
Единица измеренияшт.
Норма поставки, шт. 400

Арт.	Код	Примечание	Розничная цена, евро с НДС
WD13PL	401712400	Левый	0,70
WD13PR	401712300	Правый	0,70

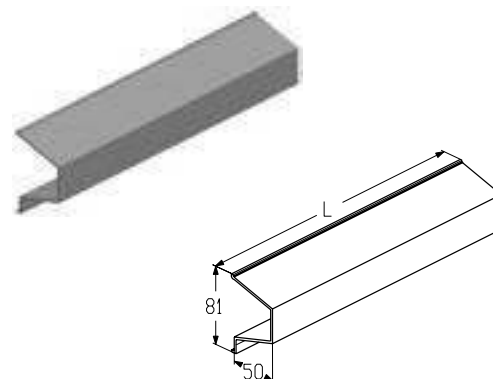


Профиль воротный

Предназначен для усиления нижней панорамной калиточной секции.
Используется в калитке со стандартным порогом.

Материалалюминий
Длина, мм6000
Покрытие..... анодированное
Цвет..... A00-D6 (серебристый металлик)
Вес, кг/м 1,016
Единица измерениям
Норма поставки, м24

Арт.	Код	Розничная цена, евро с НДС
PRD13	400557	19,00



3.2

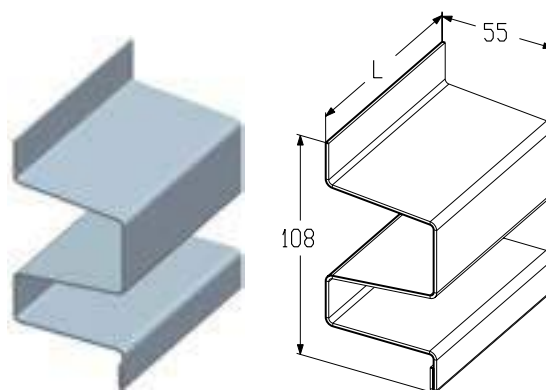
УСТАНОВКА ПРОФИЛЯ УСИЛИВАЮЩЕГО
Профиль усиливающий PRG-16

Профиль усиливающий PRG-17

Профиль усиливающий

Предназначен для усиления верхней калиточной секции.
 Используется при врезке калитки в последнюю воротную панель.
 Используется в калитке с плоским, стандартным и низким порогом.

Материал.....оцинкованная сталь
 Покрытие.....полимерное
 Цвет.....бело-серый (близкий RAL 9002)
 Вес, кг/м3,20
 Единица измеренияМ

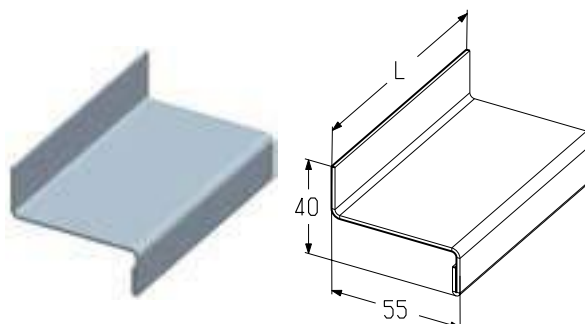


Арт.	Код	Длина, мм	Норма поставки, м		Розничная цена, евро с НДС
			м	шт	
PRG-16	401411510	5280	158,4	30	28,00
		6600	198,0	30	

Профиль усиливающий

Предназначен для усиления верхней калиточной секции.
 Используется при врезке калитки в ворота, собранные из 5 и более панелей.
 Используется в калитке с плоским, стандартным и низким порогом.

Материал.....оцинкованная сталь
 Покрытие.....полимерное
 Цвет.....бело-серый (близкий RAL 9002)
 Вес, кг/м1,20
 Единица измеренияМ



Арт.	Код	Длина, мм	Норма поставки, м		Розничная цена, евро с НДС
			м	шт	
PRG-17	401411610	5280	58,8	100	11,00
		6600	66,0	100	

ПРОФИЛИ ДЛЯ ВСТРОЕННОЙ КАЛИТКИ

УСТАНОВКА ЗАГЛУШКИ

Заглушка WD16PR/L

Заглушка WD17PR/L

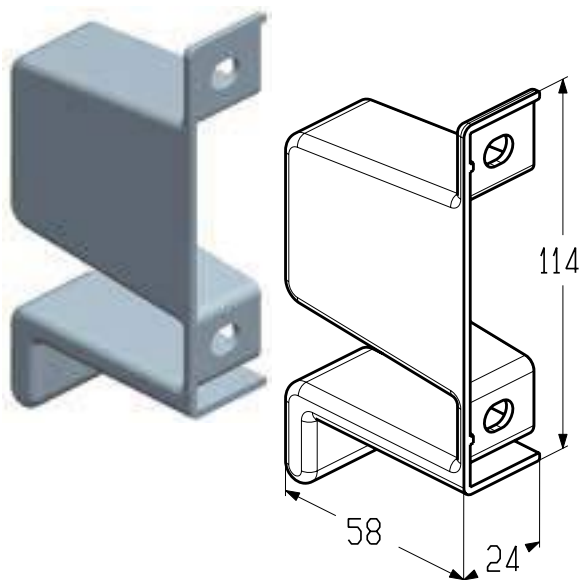


Заглушка

Устанавливается совместно с профилем усиливающим (PRG16).
Используется в калитке с плоским, стандартным и низким порогом.

МатериалРА
Вес, кг/шт.0,024
Единица измеренияшт.
Норма поставки, шт. 200

Арт.	Код	Примечание	Розничная цена, евро с НДС
WD16PL	401712600	Левый	1,10
WD16PR	401712500	Правый	1,10

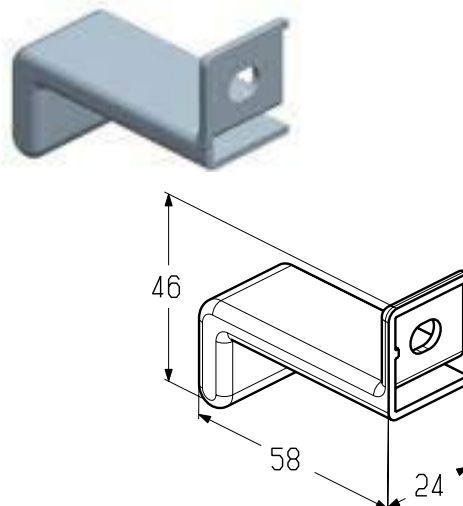


Заглушка

Устанавливается совместно с профилем усиливающим (PRG17).
Используется в калитке с плоским, стандартным и низким порогом.

МатериалРА
Вес, кг/шт.0,01
Единица измеренияшт.
Норма поставки, шт. 500

Арт.	Код	Примечание	Розничная цена, евро с НДС
WD17PL	401712800	Левый	0,55
WD17PR	401712700	Правый	0,55



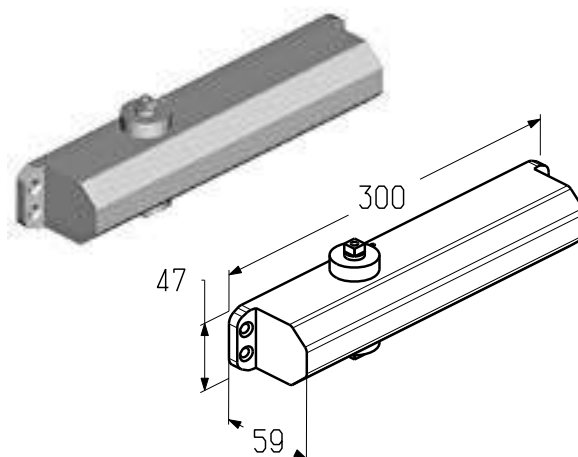
3.2

АКСЕССУАРЫ ДЛЯ ВСТРОЕННОЙ КАЛИТКИ
Доводчик дверной

Предназначен для автоматического закрывания калитки.
 Используется совместно с тягой для доводчика (DP0208).
 Используется в калитке с плоским, стандартным и низким порогом.

Вес, кг/шт. 2,71
 Единица измеренияшт.
 Норма поставки, шт.10

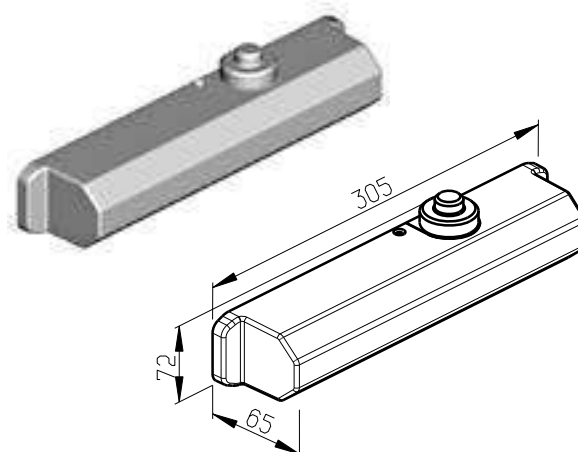
Арт.	Код	Розничная цена, евро с НДС
DP0207	404401000	84,40


Крышка доводчика

Устанавливается совместно с доводчиком (DP0207).
 Используется в калитке с плоским, низким и стандартным порогом.

МатериалABS
 Вес, кг/шт. 0,10
 Единица измеренияшт.
 Норма поставки, шт.10

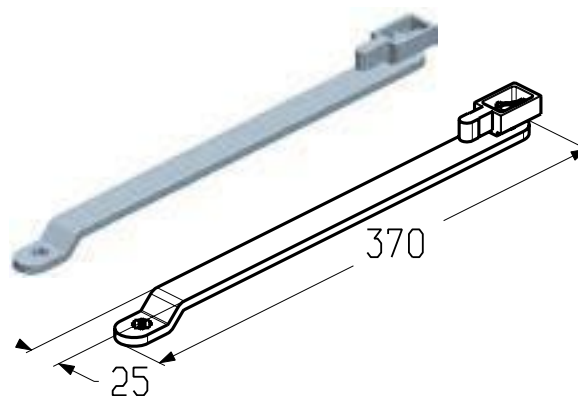
Арт.	Код	Розничная цена, евро с НДС
DP2027	404470200	5,80


Тяга для доводчика

Предназначена для установки совместно с доводчиком дверным (DP0207).
 Используется в калитке с плоским, стандартным и низким порогом.

Вес, кг/шт. 0,907
 Единица измеренияшт.
 Норма поставки, шт.10

Арт.	Код	Розничная цена, евро с НДС
DP2010	404406000	11,10


3.2

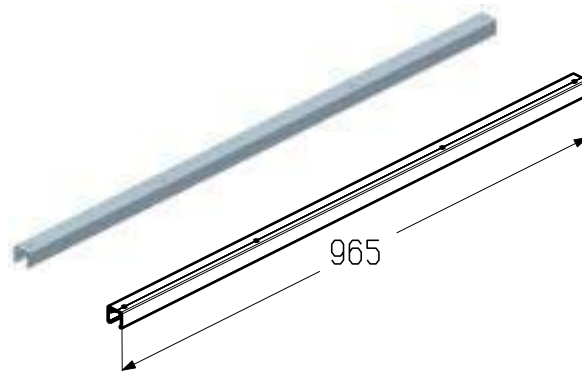
АКСЕССУАРЫ ДЛЯ ВСТРОЕННОЙ КАЛИТКИ

Шина доводчика

Предназначена для движения тяги доводчика (DP2010).
Устанавливается совместно с профилем усиливающим (PRG16, PRG17).
Используется в калитке с плоским, стандартным и низким порогом.

Длина, мм 965
Материал алюминий
Вес, кг/шт. 0,52
Единица измерения шт.
Норма поставки, шт. 10

Арт.	Код	Примечание	Розничная цена, евро с НДС
WD403R.108	404470191	A00-D6 (анодирование)	12,20
WD403R.108	404470133	Близкий RAL 8019	12,20



Контакт калитки

Предназначен для отключения электропривода при открытой калитке.
Используется в калитке с плоским, стандартным и низким порогом.

Вес, кг/шт. 0,003
Единица измерения шт.
Норма поставки, шт. 10

Арт.	Код	Розничная цена, евро с НДС
SS0206	404403000	4,40



Кабель

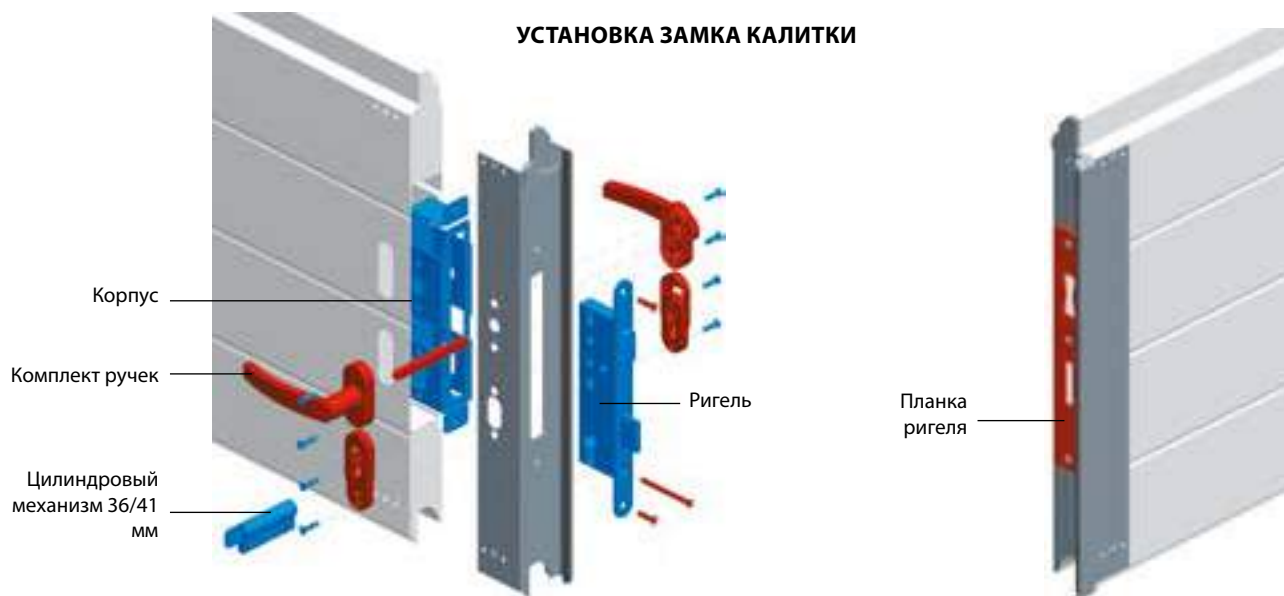
Предназначен для подключения контакта калитки (SS0206) к блоку управления.
Используется в калитке с плоским, стандартным и низким порогом.

Вес, кг/м 0,03
Единица измерения м
Норма поставки, м 250

Арт.	Код	Розничная цена, евро с НДС
C2x0,5	404404000	0,90



УСТАНОВКА ЗАМКА КАЛИТКИ

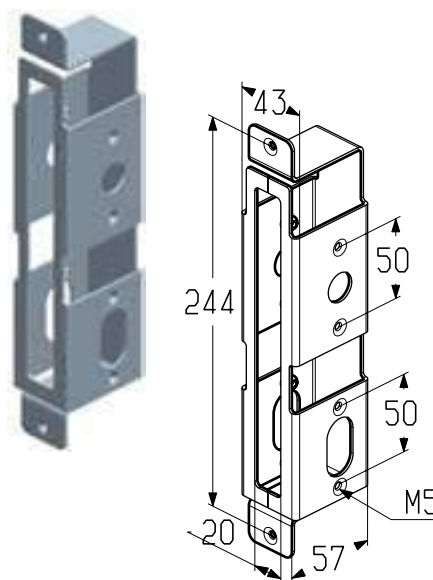


Корпус

Предназначен для установки ригеля (WL0202).
Используется в калитке с плоским, стандартным и низким порогом.

Материалоцинкованная сталь
Вес, кг/шт.0,482
Единица измеренияшт.
Норма поставки, шт.10

Арт.	Код	Розничная цена, евро с НДС
WL2012	401740100	15,10

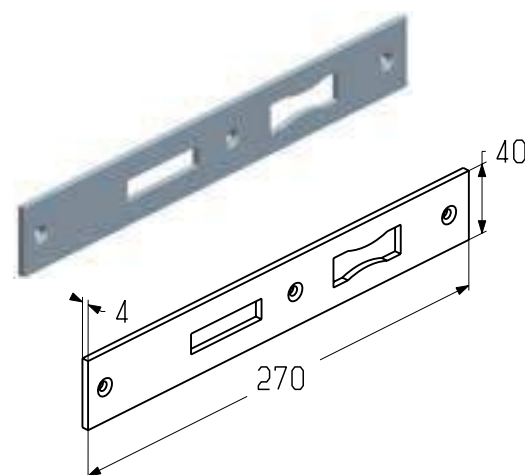


Планка ригеля

Предназначена для установки на обрамление проема среднее (WD250R/L.302, WD260R/L.302).
Используется в калитке с плоским, стандартным и низким порогом.

Материал нержавеющая сталь
Вес, кг/шт.0,13
Единица измеренияшт.
Норма поставки, шт.10

Арт.	Код	Розничная цена, евро с НДС
WL0200	404410400	3,00

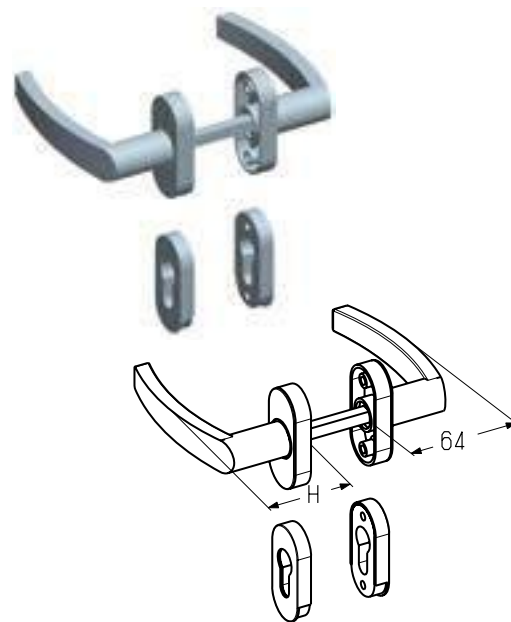


АКСЕССУАРЫ ДЛЯ ВСТРОЕННОЙ КАЛИТКИ

Комплект ручек

Предназначен для установки в калитку с плоским, стандартным и низким порогом.

Материал цинковый сплав
 Вес, кг/шт.....0,9
 Единица измерения шт.
 Норма поставки, шт.10



Арт.	Код	Покрытие	Цвет	Вылет наружной ручки от полотна ворот (H), мм	Применение	Розничная цена, евро с НДС
WL2021-SL	404410191	Анодированное	A00-D6 (анодирование)	64	<ul style="list-style-type: none"> для гаражных ворот стандартного типа монтажа; для промышленных ворот всех типов монтажа, кроме высоких, вертикальных и наклонных высоких типов монтажа. 	40,70
WL2021-BR	404410133	Порошковое	Бликий RAL 8019	64		28,40
WL2022-SL	404410291	Анодированное	A00-D6 (серебро)	24	<ul style="list-style-type: none"> для гаражных ворот низкого и высокого типов монтажа; для промышленных ворот высоких, вертикальных и высоких наклонных типов монтажа с верхним и нижним расположением вала. 	31,50
WL2022-BR	404410233	Порошковое	Бликий RAL 8019	24		40,70

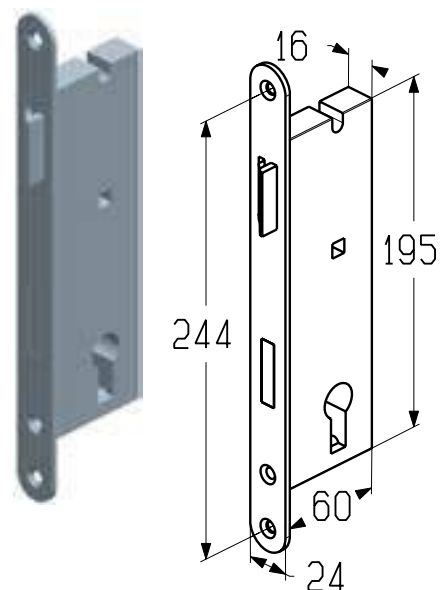
АКСЕССУАРЫ ДЛЯ ВСТРОЕННОЙ КАЛИТКИ

Ригель

Предназначен для установки совместно с корпусом вкладным (WL0201).
Используется в калитке с плоским, стандартным и низким порогом.

Вес, кг/шт.....0,63
Единица измеренияшт.
Норма поставки, шт.....10

Арт.	Код	Розничная цена, евро с НДС
WL0202	404410300	46,00

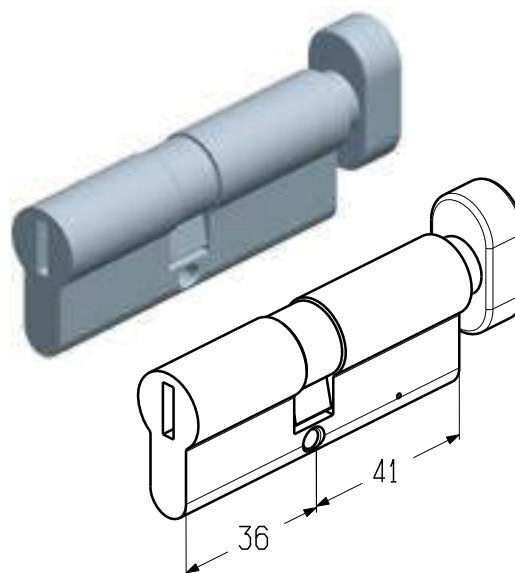


Цилиндрический механизм 36/41 мм

Предназначен для установки совместно с ригелем (WL0202).
Используется в калитке с плоским, стандартным и низким порогом.

Вес, кг/шт.....0,294
Единица измеренияшт.
Норма поставки, шт.....10

Арт.	Код	Розничная цена, евро с НДС
C-36/41M	404410700	16,40

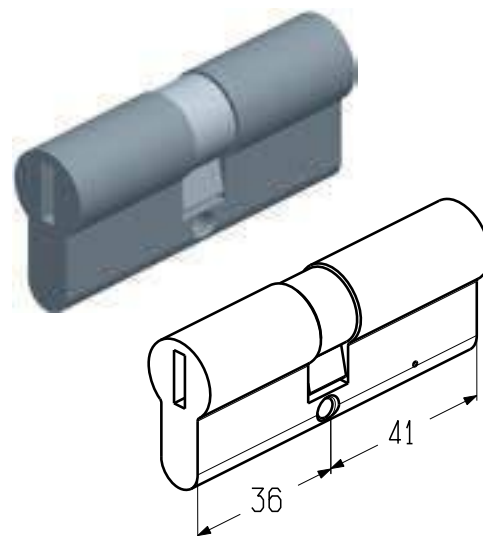


Цилиндрический механизм 36/41 мм

Предназначен для установки совместно с ригелем (WL0202).
Используется в калитке с плоским, стандартным и низким порогом.

Вес, кг/шт.....0,264
Единица измеренияшт.
Норма поставки, шт.....10

Арт.	Код	Розничная цена, евро с НДС
C-36/41	404410500	16,40



3.2

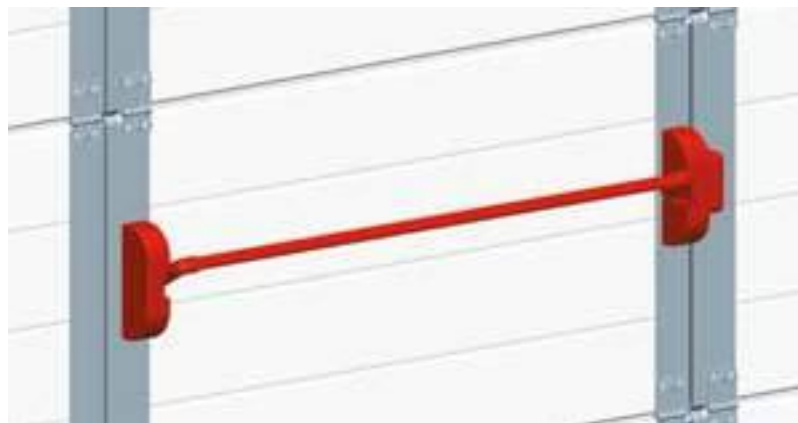
АКСЕССУАРЫ ДЛЯ ВСТРОЕННОЙ КАЛИТКИ

УСТАНОВКА УСТРОЙСТВА ЭКСТРЕННОГО ОТКРЫВАНИЯ ДВЕРЕЙ

вид снаружи



вид изнутри

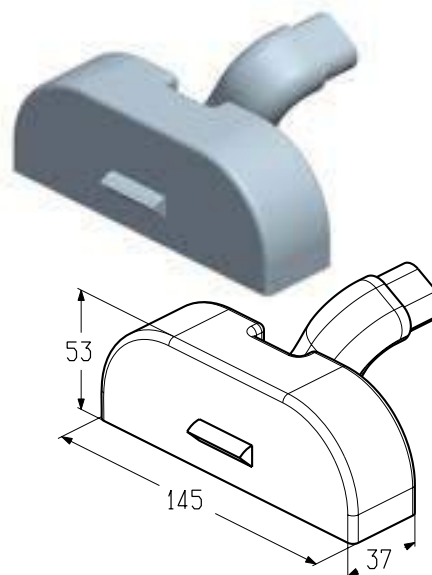


Центральный замок

Предназначен для запираания калитки.
Используется в калитке с плоским, стандартным и низким порогом.

Вес, кг/шт. 0,84
Единица измерения шт.
Норма поставки, шт. 1

Арт.	Код	Розничная цена, евро с НДС
PED2016	407480100	107,70

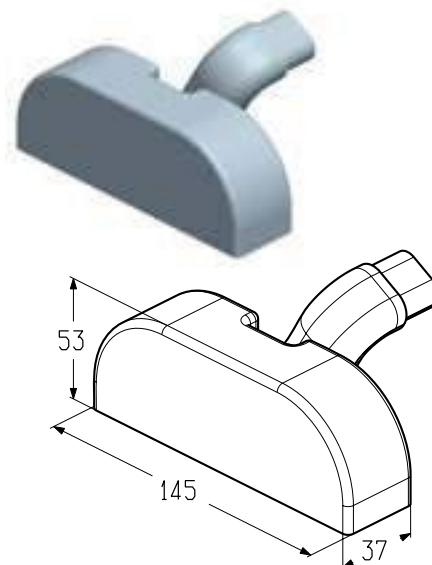


Механизм

Устанавливается совместно с центральным замком (PED2016)
и нажимной штангой (PED2018).
Используется в калитке с плоским, стандартным и низким порогом.

Материал..... оцинкованная сталь
Вес, кг/шт. 0,82
Единица измерения шт.
Норма поставки, шт. 1

Арт.	Код	Розничная цена, евро с НДС
PED2017	407480200	89,30

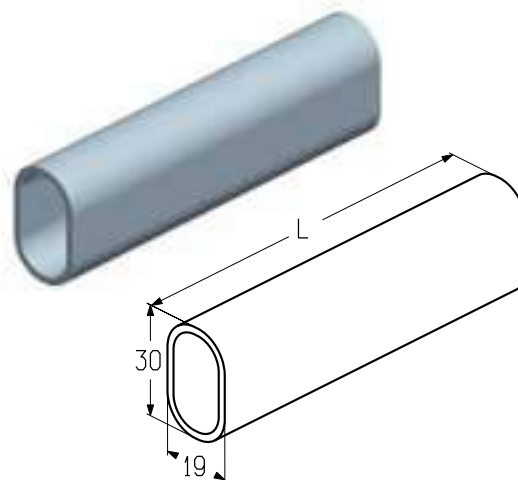


Нажимная штанга

Предназначен для открытия калитки с внутренней стороны.
Используется в калитке с плоским, стандартным и низким порогом.

Длина, мм 830
 Материал сталь
 Покрытие порошковое
 Цвет красный
 Вес, кг/шт. 0,68
 Единица измерения шт.
 Норма поставки, шт. 1

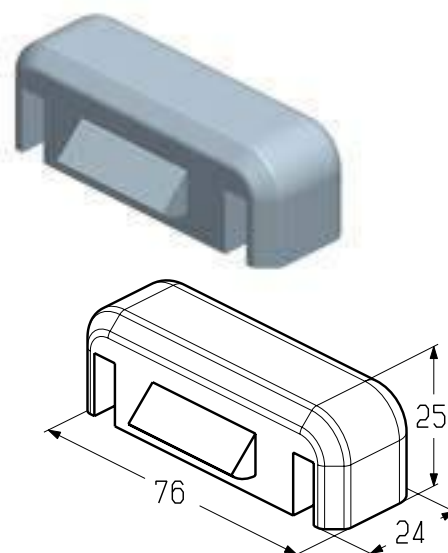
Арт.	Код	Розничная цена, евро с НДС
PED2018	407480300	26,20


3.2
Ответная часть для центрального замка

Устанавливается совместно с механизмом (PED2017)
и нажимной штангой (PED2018).
Используется в калитке с плоским, стандартным и низким порогом.

Материал оцинкованная сталь
 Вес, кг/шт. 0,14
 Единица измерения шт.
 Норма поставки, шт. 1

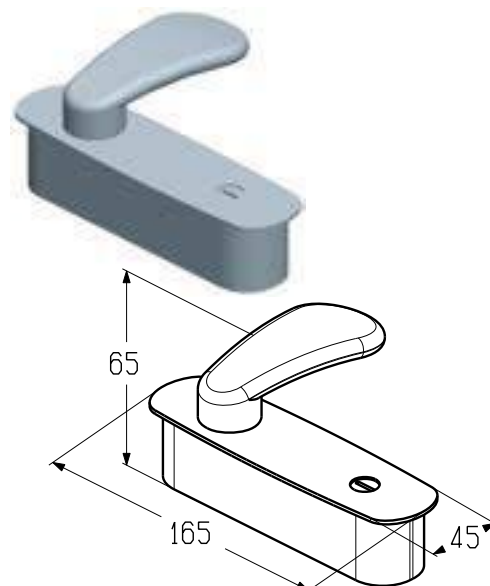
Арт.	Код	Розничная цена, евро с НДС
PED2019	407480400	20,00


Наружная нажимная ручка

Предназначена для открытия калитки с наружной стороны.
Используется в калитке с плоским, стандартным и низким порогом.

Цвет серебристый
 Вес, кг/шт. 1,05
 Единица измерения шт.
 Норма поставки, шт. 1

Арт.	Код	Розничная цена, евро с НДС
PED2020	407480500	133,85



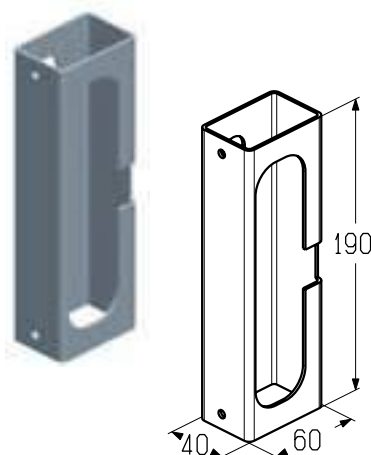
АКСЕССУАРЫ ДЛЯ ВСТРОЕННОЙ КАЛИТКИ

Корпус

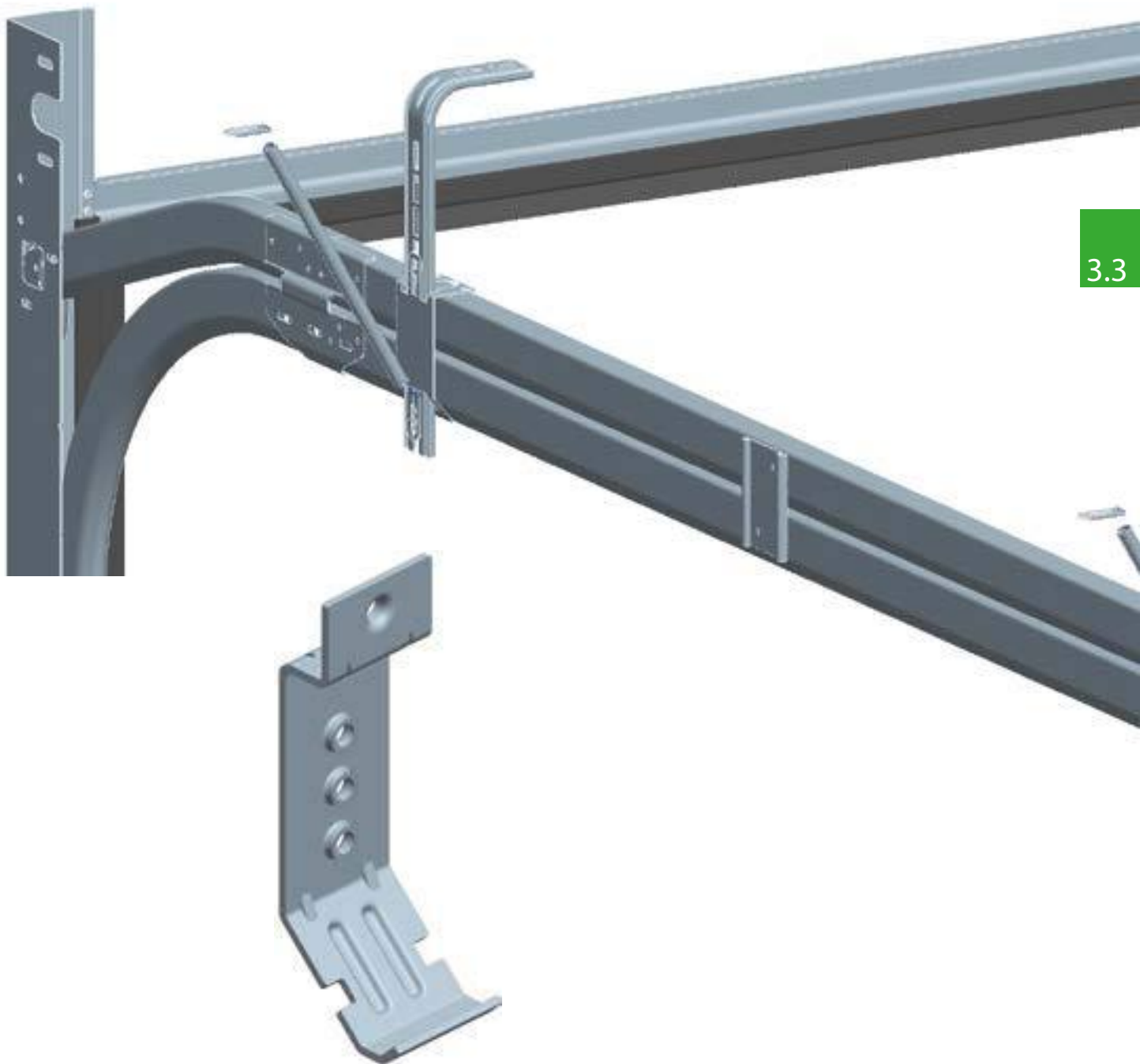
Предназначен для установки совместно с наружной нажимной ручкой (PED2020).
Используется в калитке с плоским, стандартным и низким порогом.

Материал..... Сталь
 Покрытие порошковое
 Цвет бело-серый (близкий RAL 9002)
 Вес, кг/шт..... 0,50
 Единица измерения шт.
 Норма поставки, шт..... 1

Арт.	Код	Примечание	Розничная цена, евро с НДС
PED2025L	407480700	Левый	10,80
PED2025R	407480600	Правый	10,80



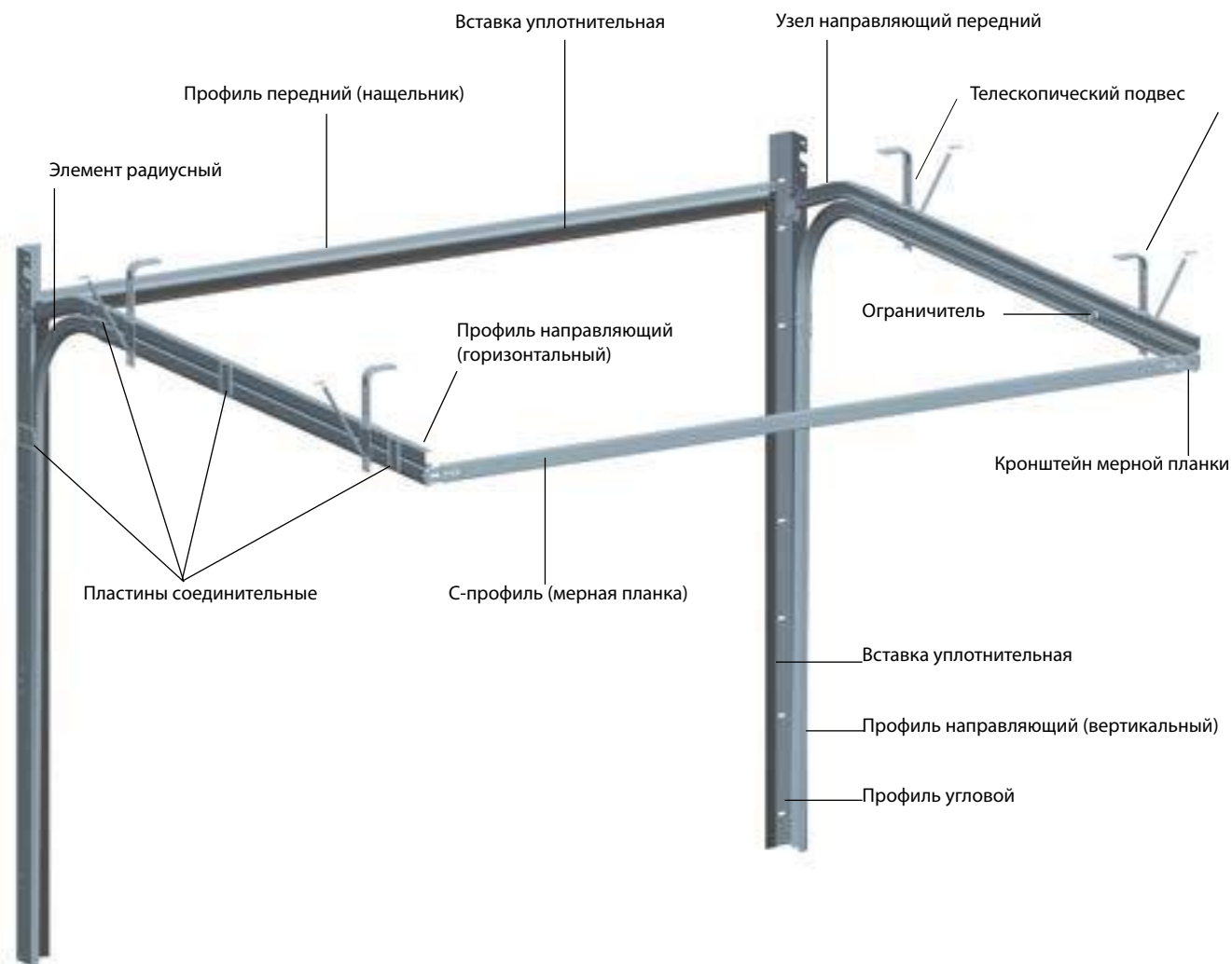
3.2



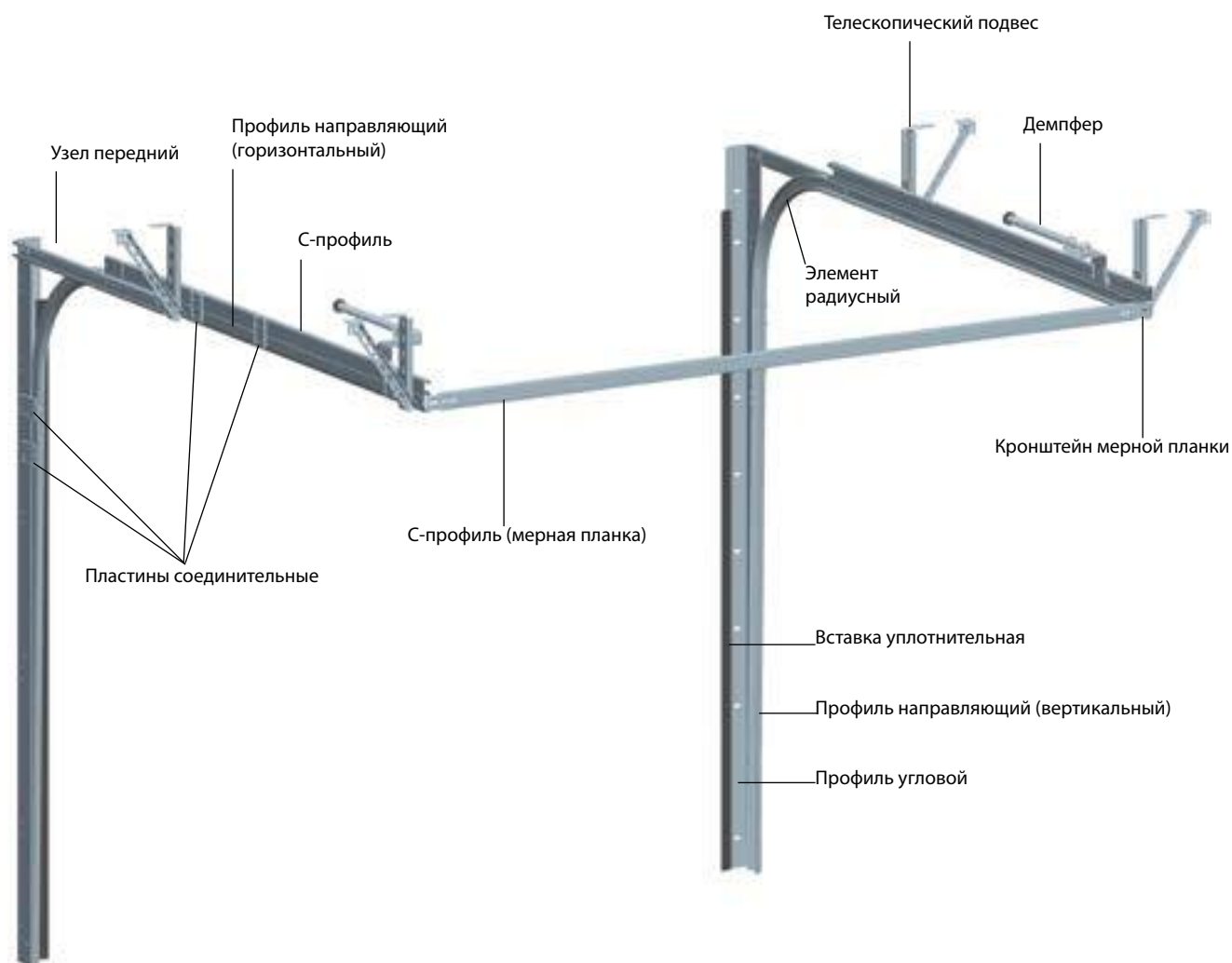
СИСТЕМЫ НАПРАВЛЯЮЩИХ И ПОДВЕСА

ТИПОВАЯ КОНСТРУКЦИЯ СИСТЕМЫ НАПРАВЛЯЮЩИХ И ПОДВЕСА
ГАРАЖНЫХ ВОРОТ СТАНДАРТНОГО ТИПА МОНТАЖА

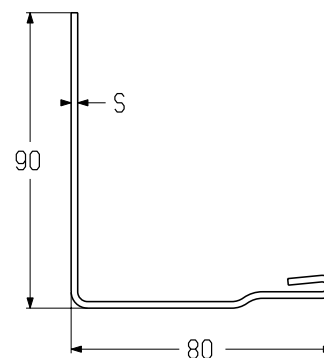
3.3



**ТИПОВАЯ КОНСТРУКЦИЯ СИСТЕМЫ НАПРАВЛЯЮЩИХ И ПОДВЕСА
ПРОМЫШЛЕННЫХ ВОРОТ СТАНДАРТНОГО ТИПА МОНТАЖА**



УСТАНОВКА ПРОФИЛЯ УГЛОВОГО



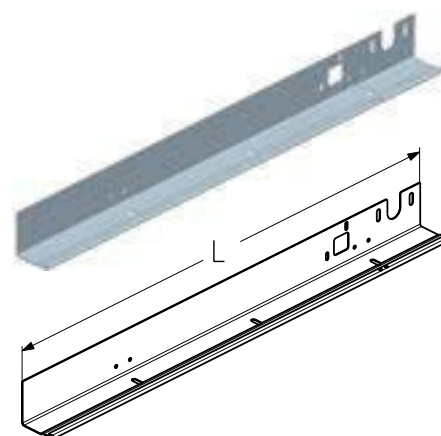
3.3

Профиль угловой

Предназначен для изготовления вертикальных направляющих. Используется в гаражных воротах стандартного типа монтажа.

Толщина (S), мм.....1,2
 Материал..... оцинкованная сталь
 Вес, кг/м.....1,65
 Единица измеренияМ

Арт.	Код	Примечание	Длина, мм	Норма поставки		Розничная цена, евро с НДС
				м	шт.	
PRG32NL	402010900	Левый	2295	34,425	15	7,60
			2420	36,300	15	
			2545	38,175	15	
			2670	40,050	15	
			2810	42,150	15	
			3010	45,150	15	
PRG32NR	402011000	Правый	2295	34,425	15	7,60
			2420	36,300	15	
			2545	38,175	15	
			2670	40,050	15	
			2810	42,150	15	
			3010	45,150	15	

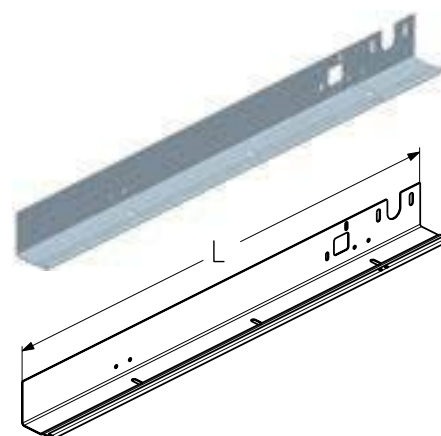


Профиль угловой

Предназначен для изготовления вертикальных направляющих. Используется в гаражных воротах стандартного типа монтажа.

Толщина (S), мм.....1,5
 Материал..... оцинкованная сталь
 Вес, кг/м.....2,087
 Единица измеренияМ

Арт.	Код	Примечание	Длина, мм	Норма поставки		Розничная цена, евро с НДС
				м	шт.	
PRG02NL	402022900	Левый	2295	34,425	15	11,50
			2420	36,300	15	
			2545	38,175	15	
			2670	40,050	15	
			2810	42,150	15	
			3010	45,150	15	
PRG02NR	40202300	Правый	2295	34,425	15	11,50
			2420	36,300	15	
			2545	38,175	15	
			2670	40,050	15	
			2810	42,150	15	
			3010	45,150	15	



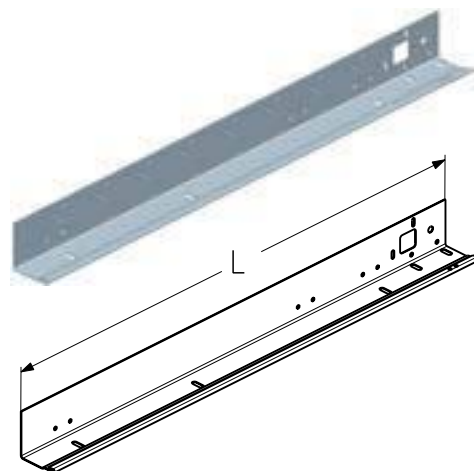
ПРОФИЛИ УГЛОВЫЕ

Профиль угловой

Предназначен для изготовления вертикальных направляющих.
Используется в гаражных воротах низкого типа монтажа.

Толщина (S), мм 1,2
Материал оцинкованная сталь
Вес, кг/м 1,65
Единица измерения М

Арт.	Код	Примечание	Длина, мм	Норма поставки		Розничная цена, евро с НДС
				м	шт.	
PRG32LL	402011100	Левый	2295	34,425	15	7,60
			2420	36,300	15	
			2545	38,175	15	
			2670	40,050	15	
			2810	42,150	15	
			3010	45,150	15	
PRG32LR	402011200	Правый	2295	34,425	15	7,60
			2420	36,300	15	
			2545	38,175	15	
			2670	40,050	15	
			2810	42,150	15	
			3010	45,150	15	
3295	49,425	15				

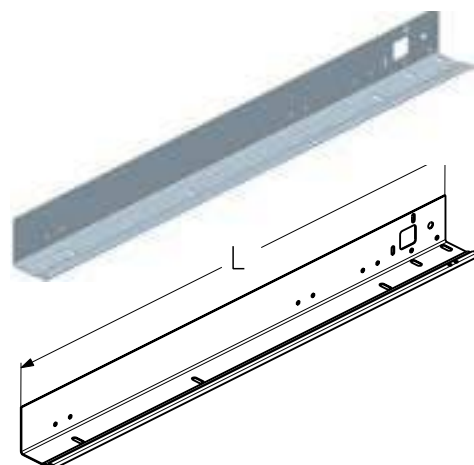


Профиль угловой

Предназначен для изготовления вертикальных направляющих.
Используется в гаражных воротах низкого типа монтажа.

Толщина (S), мм 1,5
Материал оцинкованная сталь
Вес, кг/м 2,106
Единица измерения М

Арт.	Код	Примечание	Длина, мм	Норма поставки		Розничная цена, евро с НДС
				м	шт.	
PRG02LL	402023100	Левый	2295	34,425	15	11,50
			2420	36,300	15	
			2545	38,175	15	
			2670	40,050	15	
			2810	42,150	15	
PRG02LR	402022700	Правый	2295	34,425	15	11,50
			2420	36,300	15	
			2545	38,175	15	
			2670	40,050	15	
			2810	42,150	15	
3295	49,425	15				

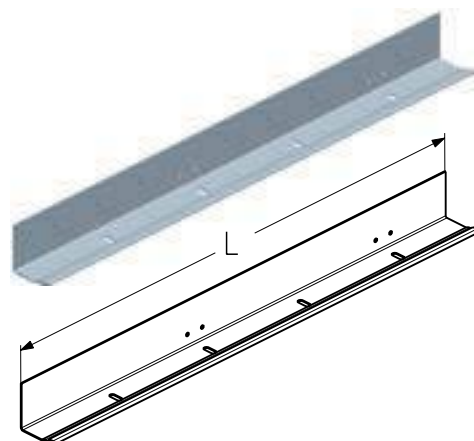


Профиль угловой

Предназначен для изготовления вертикальных направляющих.
Используется в гаражных воротах высокого типа монтажа.

Толщина (S), мм 1,2
Длина, мм 4375
Материал оцинкованная сталь
Вес, кг/м 1,65
Единица измерения М

Арт.	Код	Норма поставки		Розничная цена, евро с НДС
		м	шт.	
PRG32H	402013300	131,25	30	7,60

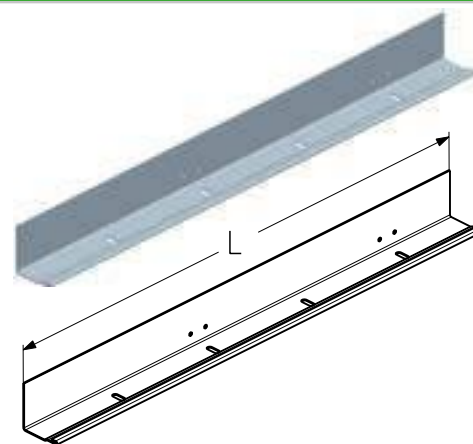


Профиль угловой

Предназначен для изготовления вертикальных направляющих.
Используется в гаражных воротах высокого типа монтажа.

Толщина (S), мм.....1,5
 Материал..... оцинкованная сталь
 Вес, кг/м2,04
 Единица измеренияМ

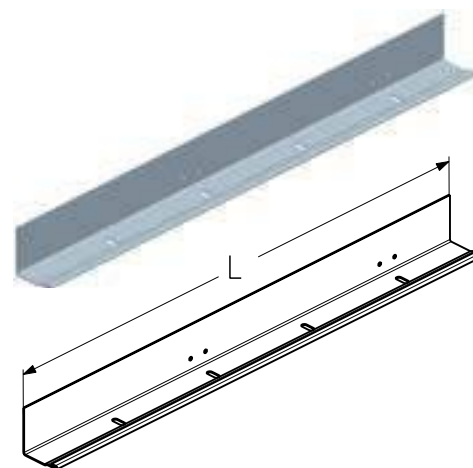
Арт.	Код	Длина, мм	Норма поставки		Розничная цена, евро с НДС
			м	шт.	
PRG02H	402022800	4600	138	30	11,50


3.3
Профиль угловой

Предназначен для изготовления вертикальных направляющих.
Используется в промышленных воротах всех типов монтажа, кроме низкого и наклонного низкого.

Толщина (S), мм..... 2
 Материал..... оцинкованная сталь
 Вес, кг/м 2,67
 Единица измеренияМ

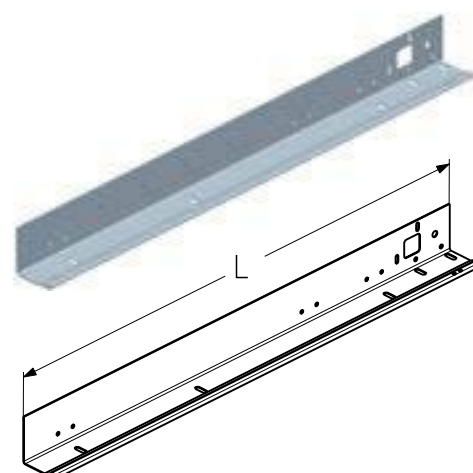
Арт.	Код	Длина, мм	Норма поставки		Розничная цена, евро с НДС
			м	шт.	
PRG01	402032000	3355	100,65	30	13,00
		3855	115,65	30	
		4255	127,65	30	
		4555	136,65	30	
		4755	142,65	30	
		5055	151,65	30	
6000	180	30			


Профиль угловой

Предназначен для изготовления вертикальных направляющих.
Используется в промышленных воротах низкого типа монтажа.

Толщина (S), мм..... 2
 Материал..... оцинкованная сталь
 Вес, кг/м 2,66
 Единица измеренияМ

Арт.	Код	Примечание	Длина, мм	Норма поставки		Розничная цена, евро с НДС
				м	шт.	
PRG01LL	402032100	Левый	3355	100,65	30	13,00
			3855	115,65	30	
			4255	127,65	30	
			4555	136,65	30	
			4755	142,65	30	
			5055	151,65	30	
PRG01LR	402032200	Правый	3355	100,65	30	13,00
			3855	115,65	30	
			4255	127,65	30	
			4555	136,65	30	
			4755	142,65	30	
			5055	151,65	30	
6000	180	30				



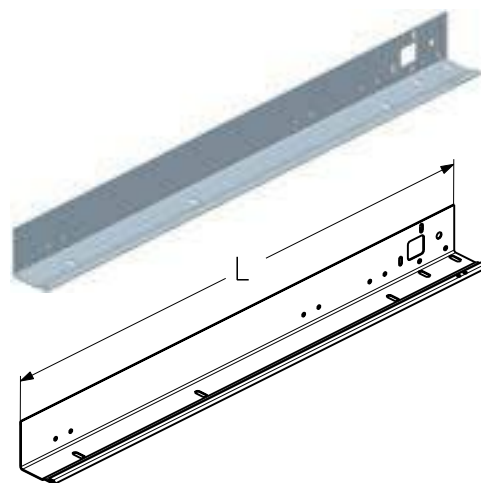
ПРОФИЛИ УГЛОВЫЕ

Профиль угловой

Предназначен для изготовления вертикальных направляющих.
Используется в промышленных воротах наклонного низкого типа монтажа.

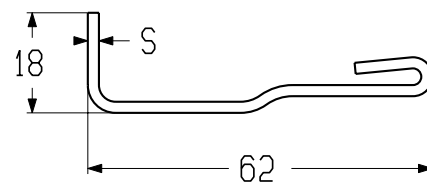
Толщина (S), мм 2
 Материал оцинкованная сталь
 Вес, кг/м 2,66
 Единица измерения м

Арт.	Код	Примечание	Длина, мм	Норма поставки		Розничная цена, евро с НДС
				м	шт.	
PRG01LFL	402032300	Левый	3355	100,65	30	13,00
			3855	115,65	30	
			4255	127,65	30	
			4555	136,65	30	
			4755	142,65	30	
			5055	151,65	30	
			6000	180	30	
PRG01LFR	402032400	Правый	3355	100,65	30	13,00
			3855	115,65	30	
			4255	127,65	30	
			4555	136,65	30	
			4755	142,65	30	
			5055	151,65	30	
			6000	180	30	



3.3

УСТАНОВКА ПРОФИЛЯ ПЕРЕДНЕГО



3.3

Профиль передний (нащельник)

Предназначен для соединения профилей угловых и для крепления вставки уплотнительной (IS85).

Используется:

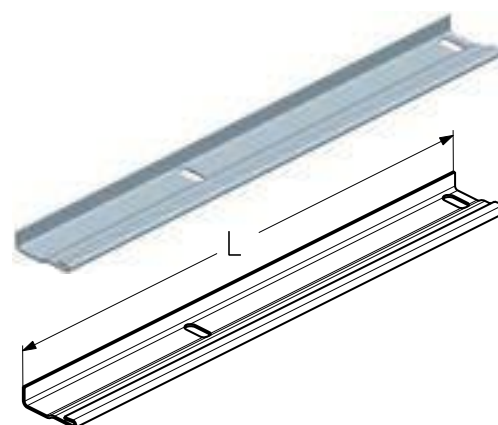
- в гаражных воротах стандартного и низкого типов монтажа;
- в промышленных воротах низкого и наклонного низкого типов монтажа.

Толщина (S), мм.....1,2

Материал.....оцинкованная сталь

Вес, кг/м.....0,825

Единица измерения..... м



Арт.	Код	Длина, мм	Норма поставки		Розничная цена, евро с НДС
			м	шт.	
PRG05S	402431000	2540	152,40	60	4,40
		2840	170,40	60	
		3040	182,40	60	
		3540	212,40	60	
		4040	242,40	60	
		4540	272,40	60	
		5060	303,60	60	
6000	360,00	60			

ПРОФИЛИ НАПРАВЛЯЮЩИЕ

УСТАНОВКА ВСТАВКИ УПЛОТНИТЕЛЬНОЙ



Вставка уплотнительная

Предназначена для герметизации проёма.

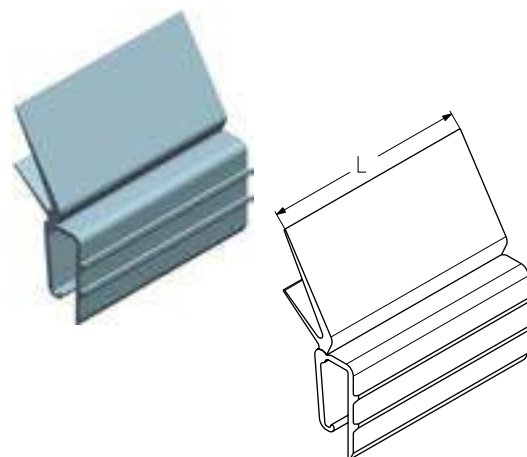
Устанавливается:

- совместно с профилем передним в гаражных воротах стандартного и низкого типов монтажа;
- совместно с профилем передним в промышленных воротах низкого и наклонного низкого типов монтажа;
- совместно с профилем угловым в гаражных и промышленных воротах всех типов монтажа.

МатериалPVC и TPR

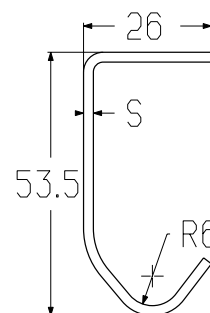
Вес, кг/м0,2

Единица измерениям



Арт.	Код	Длина, мм	Норма поставки		Розничная цена, евро с НДС
			м	шт.	
IS85-2550	401540600	2550	25,5	10	3,30
IS85-3060	401540100	3060	30,6	10	3,30
IS85-3550	401540700	3550	35,5	10	3,30
IS85-4100	401541200	4100	41,0	10	3,30
IS85-4580	401541300	4580	45,8	10	3,30
IS85-6000	401541300	6000	60	10	3,30
IS85-7000	401540800	7000	70	10	3,30
IS85-8000	401540900	8000	80	10	3,30

УСТАНОВКА ПРОФИЛЯ НАПРАВЛЯЮЩЕГО ГАРАЖНЫХ ВОРОТ



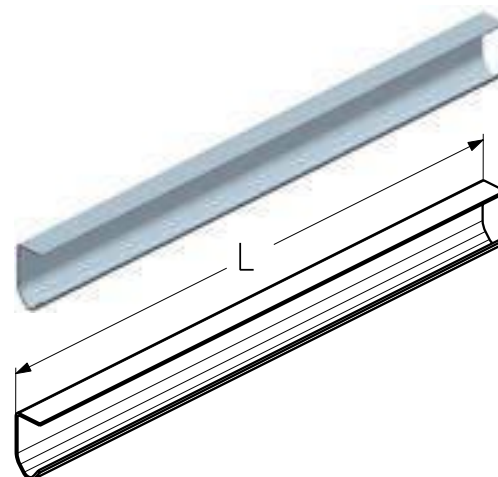
3.3

Профиль направляющий

Предназначен для создания траектории движения полотна ворот.
Устанавливается совместно с профилем угловым (PRG32).
Используется в гаражных воротах всех типов монтажа.

Толщина (S), мм..... 1,2
Материал..... оцинкованная сталь
Вес, кг/м 0,891
Единица измерения м

Арт.	Код	Длина, мм	Норма поставки		Розничная цена, евро с НДС
			м	шт.	
PRG04S	402130000	1795	89,75	50	5,00
		1920	96,00	50	
		2045	102,25	50	
		2170	108,5	50	
		2295	114,75	50	
		2435	121,75	50	
		2727	136,35	50	
		2970	148,5	50	

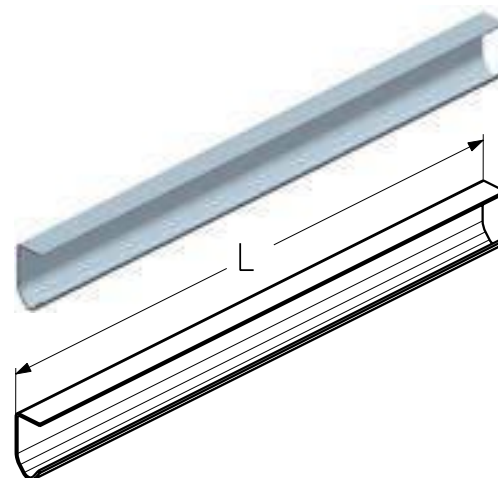


Профиль направляющий

Предназначен для создания траектории движения полотна ворот.
Устанавливается совместно с профилем угловым (PRG02).
Используется в гаражных воротах всех типов монтажа.

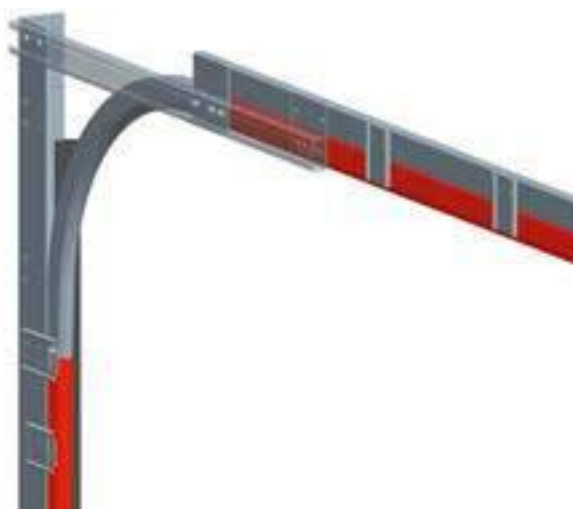
Толщина (S), мм..... 1,5
Материал..... оцинкованная сталь
Вес, кг/м 1,132
Единица измерения м

Арт.	Код	Длина, мм	Норма поставки		Розничная цена, евро с НДС
			м	шт.	
PRG04	402110800	1795	89,75	50	6,00
		1920	96	50	
		2045	102,25	50	
		2170	108,5	50	
		2295	114,75	50	
		2435	121,75	50	
		2727	136,35	50	
		2970	148,5	50	



ПРОФИЛИ НАПРАВЛЯЮЩИЕ

УСТАНОВКА ПРОФИЛЯ НАПРАВЛЯЮЩЕГО ПРОМЫШЛЕННЫХ ВОРОТ

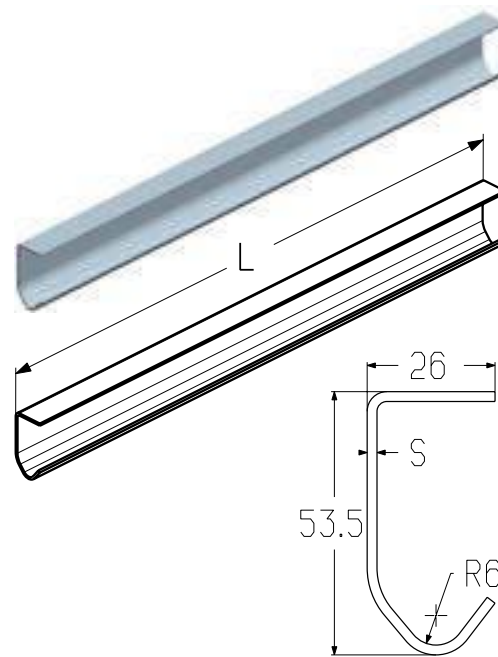


Профиль направляющий

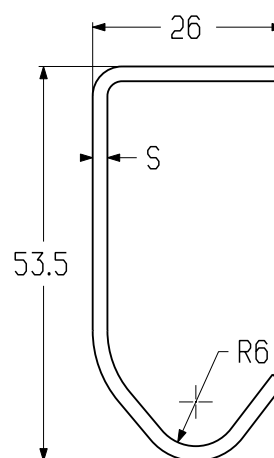
Предназначен для создания траектории движения полотна ворот.
Устанавливается совместно с профилем угловым (PRG01).
Используется в промышленных воротах всех типов монтажа.

Толщина (S), мм 2
Материал оцинкованная сталь
Вес, кг/м 1,439
Единица измерения М

Арт.	Код	Длина, мм	Норма поставки		Розничная цена, евро с НДС
			м	шт.	
PRG03	402120600	2800	140	50	6,50
		3500	175	50	
		4000	200	50	
		4060	203	50	
		4350	217,5	50	
		5000	250	50	
6000	300	50			



УСТАНОВКА ЭЛЕМЕНТА РАДИУСНОГО



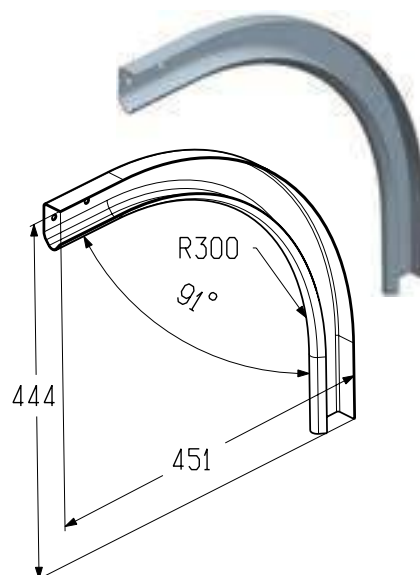
3.3

Элемент радиусный левый
Элемент радиусный правый

Предназначен для соединения вертикальной и горизонтальной направляющих. Используется в гаражных воротах стандартного и низкого типов монтажа.

Радиус, мм..... 300
Материал..... оцинкованная сталь
Единица измеренияшт.
Норма поставки, шт.60

Арт.	Код	Толщина (S), мм	Вес, кг/шт.	Применение	Розничная цена, евро с НДС
RE801SL	402210000	1,2	0,605	Левый	5,80
RE801SR	402210100	1,2	0,605	Правый	5,80
RE801L	402220000	1,5	0,745	Левый	6,80
RE801R	402220100	1,5	0,745	Правый	6,80

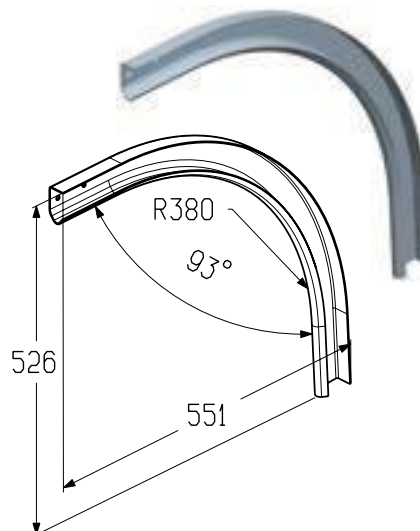


Элемент радиусный левый
Элемент радиусный правый

Предназначен для соединения вертикальной и горизонтальной направляющих. Используется в гаражных воротах высокого типа монтажа.

Радиус, мм..... 380
Материал..... оцинкованная сталь
Толщина (S), мм..... 1,5
Вес, кг/шт.0,86
Единица измеренияшт.
Норма поставки, шт.60

Арт.	Код	Примечание	Розничная цена, евро с НДС
RE701HL	402220200	Левый	7,70
RE701HR	402220300	Правый	7,70



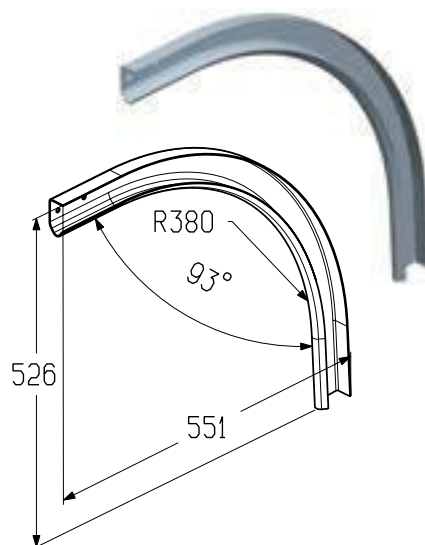
ПРОФИЛИ НАПРАВЛЯЮЩИЕ

Элемент радиусный левый
Элемент радиусный правый

Предназначен для соединения вертикальной и горизонтальной направляющих.
Используется в промышленных воротах стандартного, высокого с верхним и нижним расположением вала и низкого типов монтажа.

Радиус, мм 380
Толщина (S), мм 2
Материал оцинкованная сталь
Вес, кг/шт. 1,274
Единица измерения шт.
Норма поставки, шт. 60

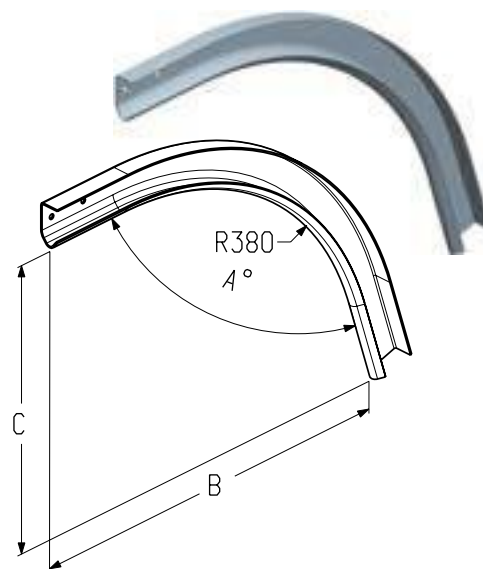
Арт.	Код	Примечание	Розничная цена, евро с НДС
RE101L	402230000	Левый	9,50
RE101R	402230100	Правый	9,50



Элемент радиусный левый
Элемент радиусный правый

Предназначен для соединения вертикальной и горизонтальной направляющих.
Используется в промышленных воротах наклонного, наклонного высокого с верхним и нижним расположением вала, наклонного низкого типов монтажа.

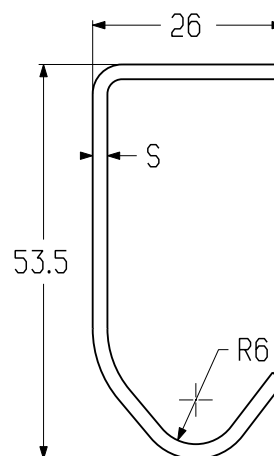
Радиус, мм 380
Толщина (S), мм 2
Материал оцинкованная сталь
Единица измерения шт.
Норма поставки, шт. 60



Арт.	Код	Основные размеры			Угол наклона,* град	Вес, кг/шт.	Примечание	Розничная цена, евро с НДС
		А, град.	В, мм	С, мм				
RE101FL-5	402230200	97	445	445	5	1,218	Левый	8,70
RE101FR-5	402230300	97	445	445	5	1,218	Правый	8,70
RE101FL-10	402230400	102	411	411	10	1,163	Левый	8,40
RE101FR-10	402230500	102	411	411	10	1,163	Правый	8,40
RE101FL-15	402230600	107	376	376	15	1,11	Левый	8,10
RE101FR-15	402230700	107	376	376	15	1,11	Правый	8,10
RE101FL-20	402230800	112	342	342	20	1,055	Левый	7,80
RE101FR-20	402230900	112	342	342	20	1,055	Правый	7,80
RE101FL-25	402231000	117	307	307	25	1,05	Левый	7,50
RE101FR-25	402231100	117	307	307	25	1,05	Правый	7,50
RE101FL-30	402231200	122	274	274	30	0,958	Левый	7,20
RE101FR-30	402231300	122	274	274	30	0,958	Правый	7,20
RE101FL-35	402231400	128	260	260	35	1,001	Левый	8,40
RE101FR-35	402231500	128	260	260	35	1,001	Правый	8,40
RE101FL-40	402231600	133	245	245	40	1,024	Левый	8,50
RE101FR-40	402231700	133	245	245	40	1,024	Правый	8,50
RE101FL-45	402231800	138	210	230	45	1,01	Левый	8,50
RE101FR-45	402231900	138	210	230	45	1,01	Правый	8,50

* Угол наклона горизонтальной направляющей.

УСТАНОВКА УЗЛА НАПРАВЛЯЮЩЕГО ПЕРЕДНЕГО



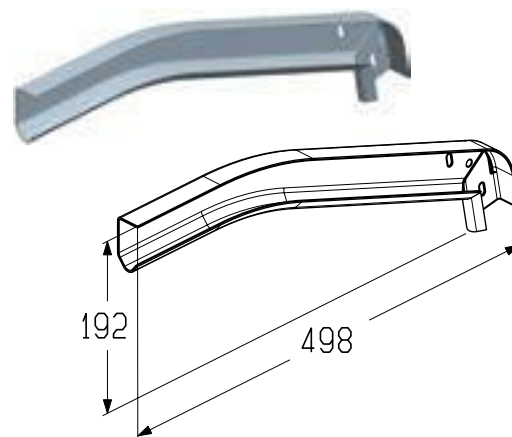
3.3

Узел направляющий передний левый
Узел направляющий передний правый

Предназначен для создания траектории движения верхней панели полотна ворот совместно с профилем направляющим (PRG04, PRG04S).
Используется в гаражных воротах стандартного типа монтажа.

Материал оцинкованная сталь
Единица измерения шт.
Норма поставки, шт.60

Арт.	Код	Толщина (S), мм	Вес, кг/шт.	Применение	Розничная цена, евро с НДС
S340NL	402310200	1,2	0,474	Левый	7,00
S340NR	402310300	1,2	0,474	Правый	7,00
S840NL	402320000	1,5	0,596	Левый	8,00
S840NR	402320100	1,5	0,596	Правый	8,00

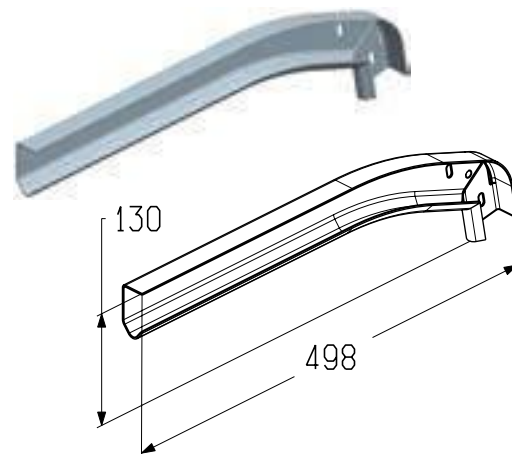


Узел направляющий передний левый
Узел направляющий передний правый

Предназначен для создания траектории движения верхней панели полотна ворот совместно с профилем направляющим (PRG04, PRG04S).
Используется в гаражных воротах низкого типа монтажа.

Материал оцинкованная сталь
Единица измерения шт.
Норма поставки, шт.60

Арт.	Код	Толщина (S), мм	Вес, кг/шт.	Применение	Розничная цена, евро с НДС
S940SL	402310000	1,2	0,470	Левый	7,00
S940SR	402310100	1,2	0,470	Правый	7,00
S940LL	402320200	1,5	0,596	Левый	8,00
S940LR	402320300	1,5	0,596	Правый	8,00



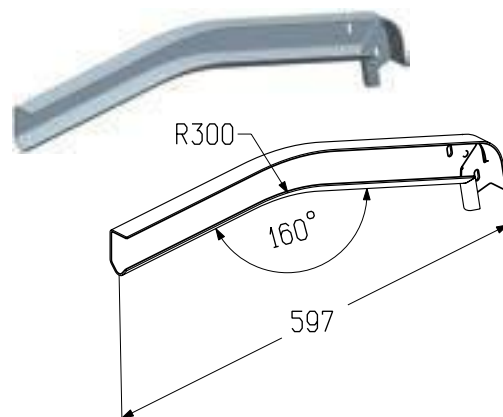
ПРОФИЛИ НАПРАВЛЯЮЩИЕ

Узел направляющий передний левый
Узел направляющий передний правый

Предназначен для создания траектории движения верхней панели полотна ворот совместно с профилем направляющим (PRG03).
Используется в промышленных воротах низкого типа монтажа.

Толщина (S), мм..... 2
Материал..... оцинкованная сталь
Вес, кг/шт..... 0,875
Единица измеренияшт.
Норма поставки, шт..... 60

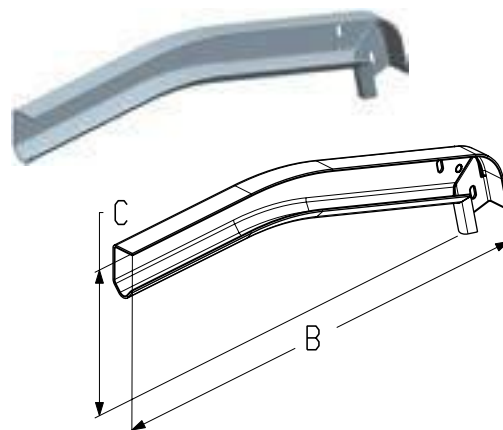
Арт.	Код	Примечание	Розничная цена, евро с НДС
S140LL	402330000	Левый	9,00
S140LR	402330100	Правый	9,00



Узел направляющий передний левый
Узел направляющий передний правый

Предназначен для создания траектории движения верхней панели полотна ворот совместно с профилем направляющим (PRG03).
Используется в промышленных воротах наклонного низкого типа монтажа.

Толщина (S), мм..... 2
Материал..... оцинкованная сталь
Единица измеренияшт.
Норма поставки, шт..... 60



Арт.	Код	Основные размеры		Угол наклона,* град	Вес, кг/шт.	Примечание	Розничная цена, евро с НДС
		В, мм	С, мм				
S140LFL-5	402330200	559	237	5	0,87	Левый	9,00
S140LFR-5	402330300	559	237	5	0,87	Правый	9,00
S140LFL-10	402330400	543	201	10	0,81	Левый	9,00
S140LFR-10	402330500	543	201	10	0,81	Правый	9,00
S140LFL-15	402330600	506	168	15	0,755	Левый	9,00
S140LFR-15	402330700	506	168	15	0,755	Правый	9,00
S140LFL-20	402330800	473	139	20	0,705	Левый	9,00
S140LFR-20	402330900	473	139	20	0,705	Правый	9,00
S140LFL-25	402331000	441	111	25	0,685	Левый	9,00
S140LFR-25	402331100	441	111	25	0,685	Правый	9,00
S140LFL-30	402331200	409	86	30	0,645	Левый	9,00
S140LFR-30	402331300	409	86	30	0,645	Правый	9,00
S140LFL-35	402331600	427	86	35	0,65	Левый	9,00
S140LFR-35	402331700	427	86	35	0,65	Правый	9,00
S140LFL-40	402331800	427	86	40	0,65	Левый	9,00
S140LFR-40	402331900	427	86	40	0,65	Правый	9,00
S140LFL-45	402332000	407	86	45	0,62	Левый	9,00
S140LFR-45	402332100	407	86	45	0,62	Правый	9,00

* Угол наклона горизонтальной направляющей.

УСТАНОВКА С-ПРОФИЛЯ



С-профиль

Предназначен для изготовления мерной планки:

- в гаражных воротах стандартного и высокого типов монтажа;
- в промышленных воротах всех типов монтажа, кроме низкого и наклонного низкого.

Предназначен для усиления горизонтальной направляющей:

- в гаражных воротах высокого типа монтажа;
- в промышленных воротах всех типов монтажа, кроме низкого и наклонного низкого.

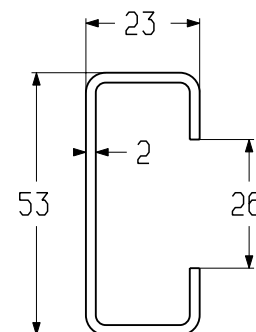
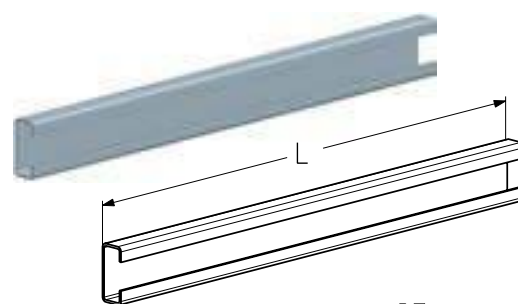
Предназначен для соединения профиля углового и профиля направляющего:

- в промышленных воротах вертикального типа монтажа с верхним расположением вала.

Материал.....оцинкованная сталь

Вес, кг/м.....1,74

Единица измеренияМ



Арт.	Код	Длина (L), мм	Норма поставки		Розничная цена, евро с НДС
			м	шт.	
PRG07N	402421600	3045	152,25	50	6,60
		3245	162,65	50	
		3550	177,50	50	
		4050	202,50	50	
		4550	227,50	50	
		5106	255,3	50	
		6000	300	50	

УСТАНОВКА С-ПРОФИЛЯ (МЕРНОЙ ПЛАНКИ)



С-профиль

Перфорированный, предназначен для изготовления мерной планки.

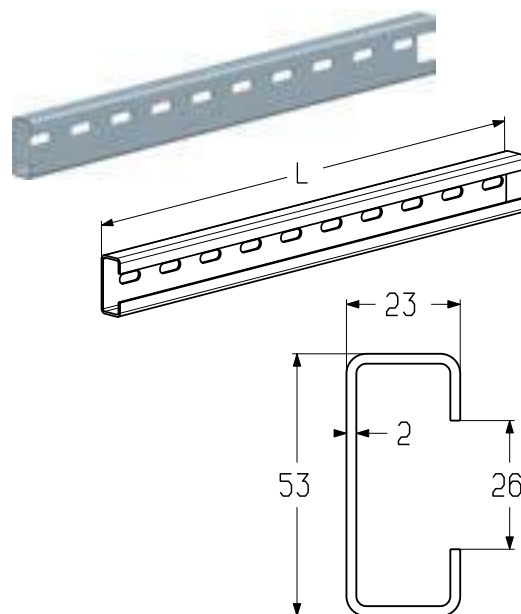
Используется:

- в гаражных воротах низкого типа монтажа;
- в промышленных воротах низкого и наклонного низкого типов монтажа.

Материал оцинкованная сталь

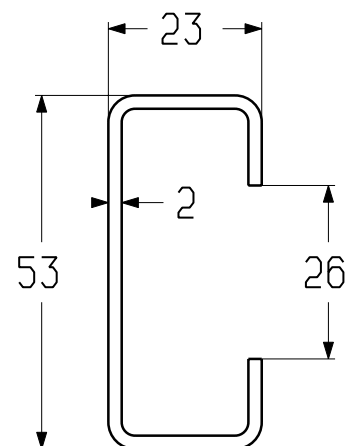
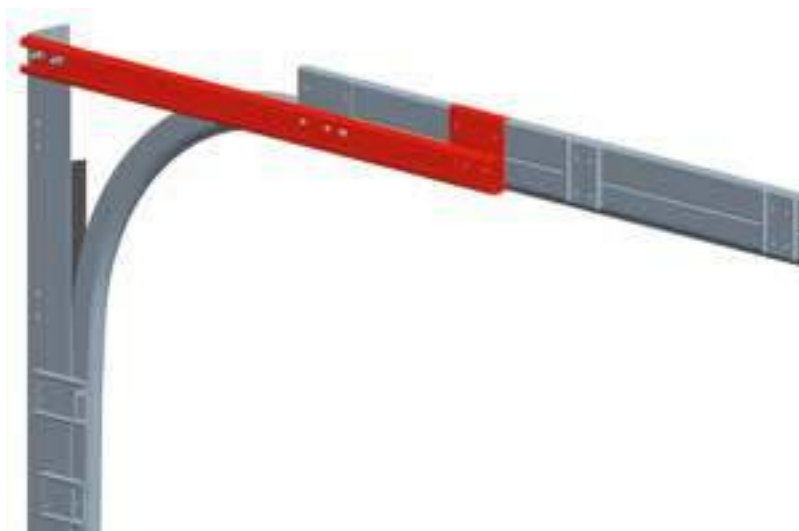
Вес, кг/м 1,67

Единица измерения м



Арт.	Код	Длина (L), мм	Норма поставки		Розничная цена, евро с НДС
			м	шт.	
PRG07	402421500	6000	300	50	6,60

УСТАНОВКА УЗЛА ПЕРЕДНЕГО



3.3

Узел передний левый
Узел передний правый

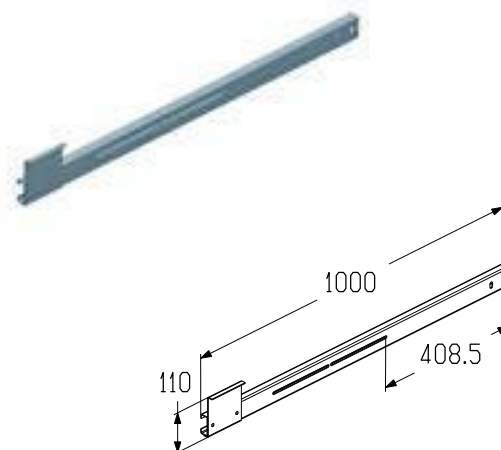
Предназначен для соединения профиля углового с горизонтальной направляющей.

Используется:

- в гаражных воротах высокого типа монтажа;
- в промышленных воротах стандартного и высокого с верхним и нижним расположением вала типов монтажа.

Длина, мм 960
 Материал оцинкованная сталь
 Вес, кг/шт. 1,768
 Единица измерения шт.
 Норма поставки, шт. 100

Арт.	Код	Примечание	Розничная цена, евро с НДС
S-171L	402500300	Левый	12,00
S-171R	402500400	Правый	12,00



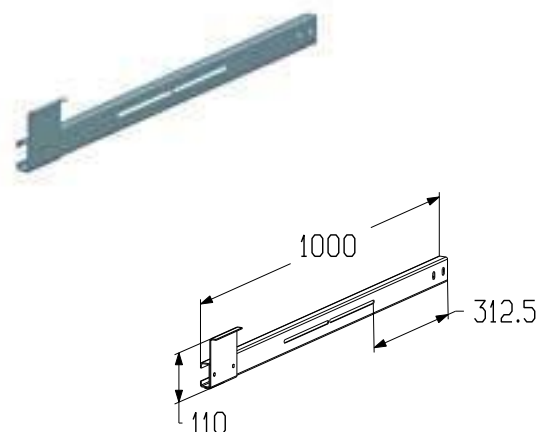
Узел передний левый
Узел передний правый

Предназначен для соединения профиля углового с горизонтальной направляющей.

Используется в промышленных воротах наклонного, наклонного высокого с верхним и нижним расположением вала.

Длина, мм 760
 Материал оцинкованная сталь
 Вес, кг/шт. 1,486
 Единица измерения шт.
 Норма поставки, шт. 100

Арт.	Код	Примечание	Розничная цена, евро с НДС
S-172L	402500500	Левый	12,00
S-172R	402500600	Правый	12,00



УСТАНОВКА КРОНШТЕЙНА СОЕДИНИТЕЛЬНОГО

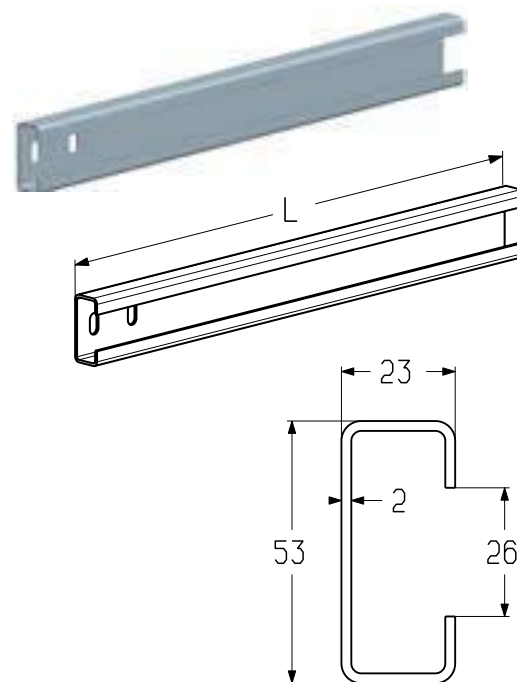


Кронштейн соединительный

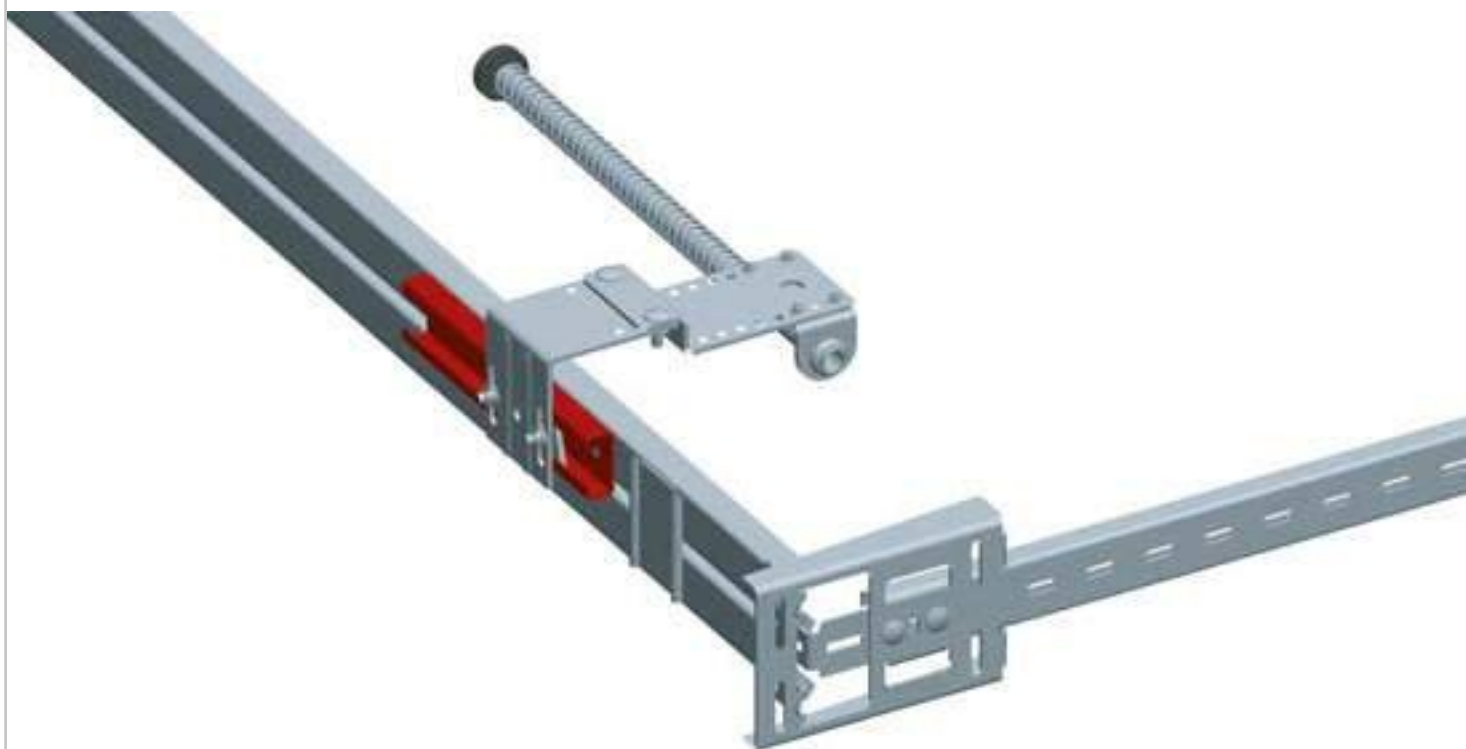
Предназначен для соединения профиля углового и профиля направляющего.
Используется в промышленных воротах вертикального типа монтажа с верхним расположением вала.

Материал оцинкованная сталь
Единица измерения шт.
Норма поставки, шт. 100

Арт.	Код	Длина (L), мм	Вес, кг/шт.	Розничная цена, евро с НДС
СВ132-450	402600000	450	0,75	4,50
СВ132-500	402600100	500	0,828	4,50



УСТАНОВКА КРОНШТЕЙНА

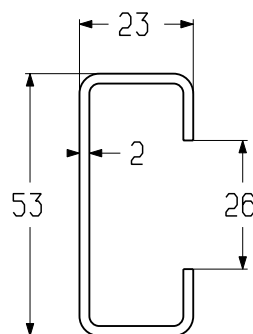
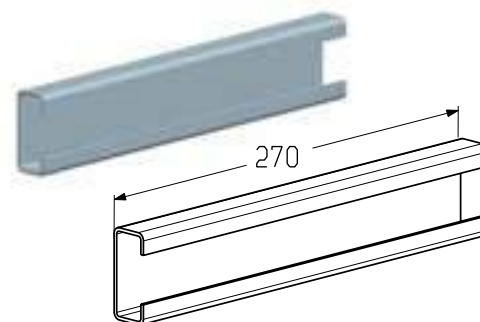


Кронштейн

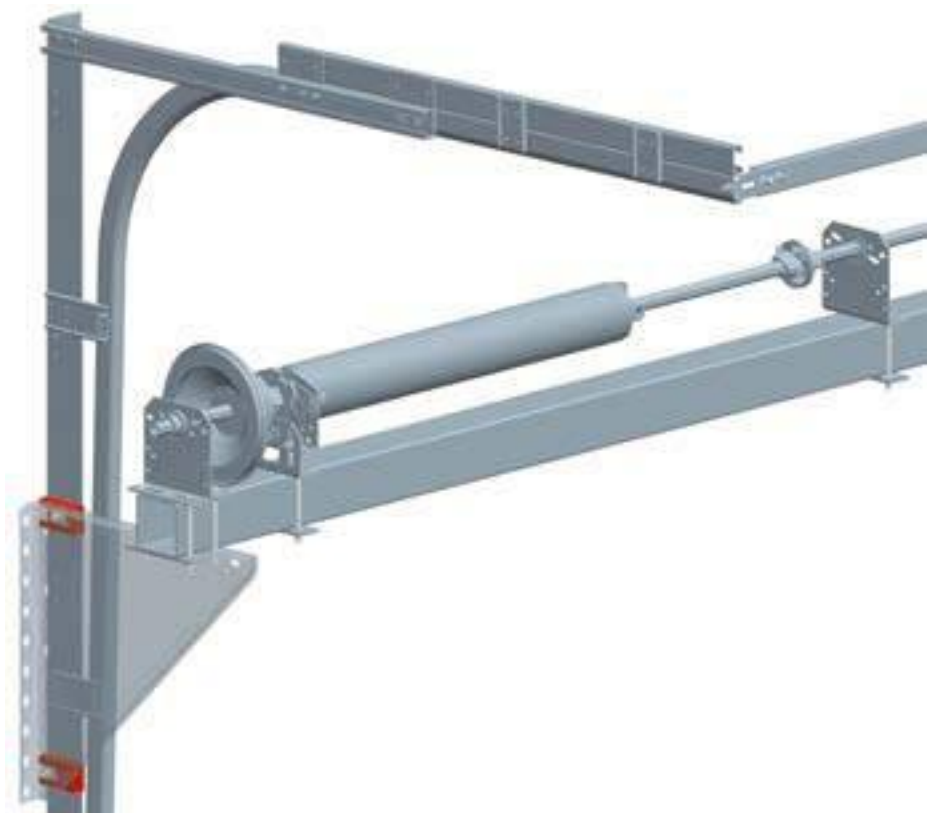
Предназначен для установки демпферов.
Используется в промышленных воротах вертикального типа монтажа с верхним и нижним расположением вала, низкого и наклонного низкого типов монтажа.

Длина, мм 270
 Материал оцинкованная сталь
 Вес, кг/шт. 0,29
 Единица измерения шт.
 Норма поставки, шт. 50

Арт.	Код	Розничная цена, евро с НДС
V134	402600200	3,25



УСТАНОВКА КРОНШТЕЙНА

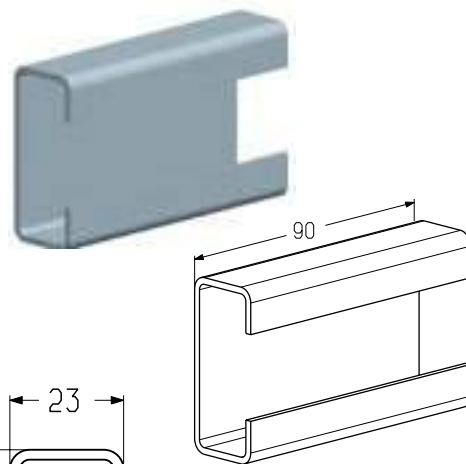


Кронштейн

Предназначен для установки кронштейна (ТР-550).
Используется в промышленных воротах высокого, вертикального, наклонного типов монтажа с нижним расположением вала.

Материал Оцинкованная сталь
Вес, кг/шт. 0,15
Единица измерения шт.
Норма поставки, шт. 150

Арт.	Код	Розничная цена, евро с НДС
V133	402600300	1,35



УСТАНОВКА ПРОФИЛЯ НЕСУЩЕГО

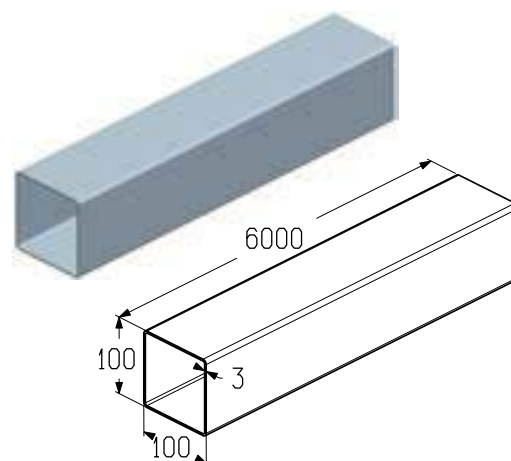


3.3

Профиль несущий

Предназначен для установки торсионного вала.
Используется в промышленных воротах высокого, вертикального, наклонного типов монтажа с нижним расположением вала.

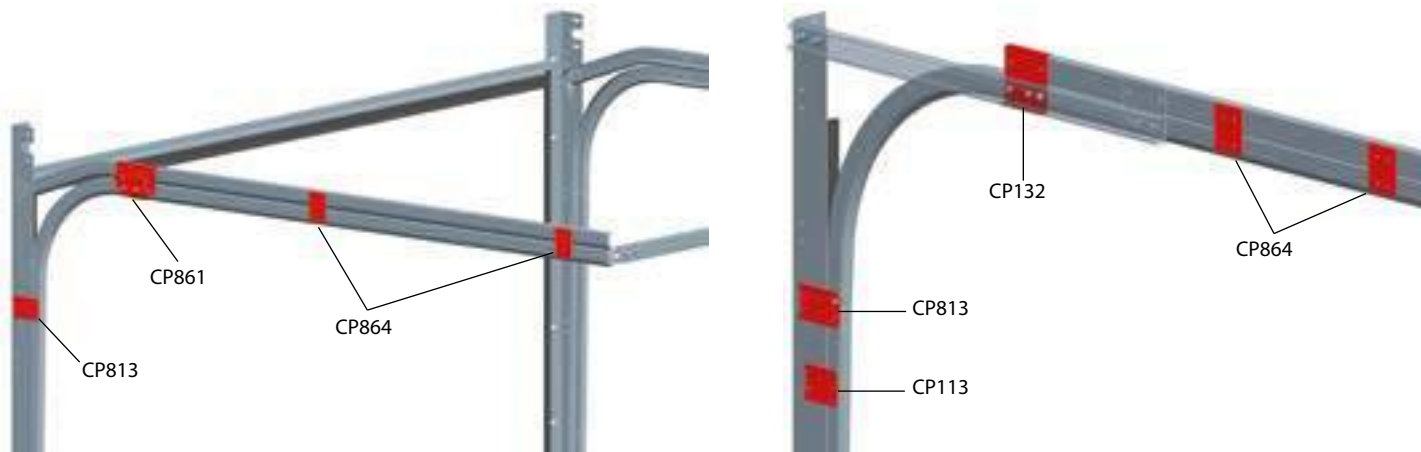
Длина, мм6000
Материал оцинкованная сталь
Вес, кг/м 9
Единица измерениям
Норма поставки, м54



Арт.	Код	Розничная цена, евро с НДС
T-100-6000	402440000	53,00

КРОНШТЕЙНЫ И ПЛАСТИНЫ СОЕДИНИТЕЛЬНЫЕ

УСТАНОВКА ПЛАСТИН СОЕДИНИТЕЛЬНЫХ



Пластина соединительная

Предназначена для соединения профиля углового с профилем направляющим (вертикальным).

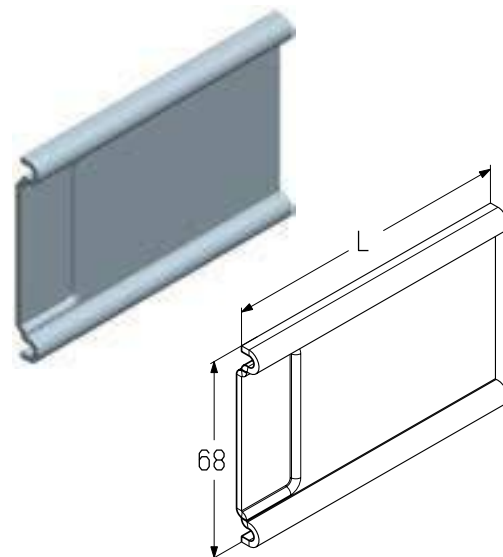
Используется:

- в гаражных воротах высокого типа монтажа;
- в промышленных воротах всех типов монтажа.

Материал оцинкованная сталь

Единица измерения шт.

Арт.	Код	Длина (L), мм	Вес, кг/шт.	Норма поставки, шт.	Розничная цена, евро с НДС
CP113-80	402810100	80	0,096	200	0,90
CP113-100	402810200	100	0,12	200	1,05
CP113-120	402810300	120	0,144	170	1,20
CP113-130	402810400	130	0,156	120	1,30
CP113-150	402810500	150	0,18	120	1,45
CP113-180	402810600	180	0,216	110	1,65



Пластина соединительная

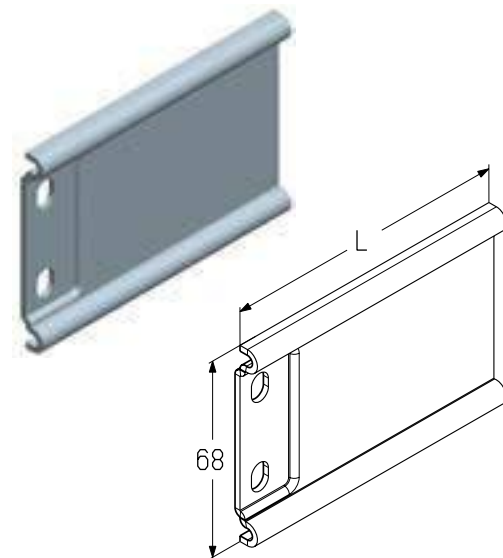
Предназначена для соединения профиля углового с профилем направляющим (вертикальным).

Используется в гаражных и промышленных воротах всех типов монтажа.

Материал оцинкованная сталь

Единица измерения шт.

Арт.	Код	Длина (L), мм	Вес, кг/шт.	Норма поставки, шт.	Розничная цена, евро с НДС
CP813-100	402810700	100	0,119	220	1,15
CP813-120	402810800	120	0,142	170	1,30
CP813-150	402810900	150	0,176	120	1,55
CP813-180	402811000	180	0,214	110	1,85

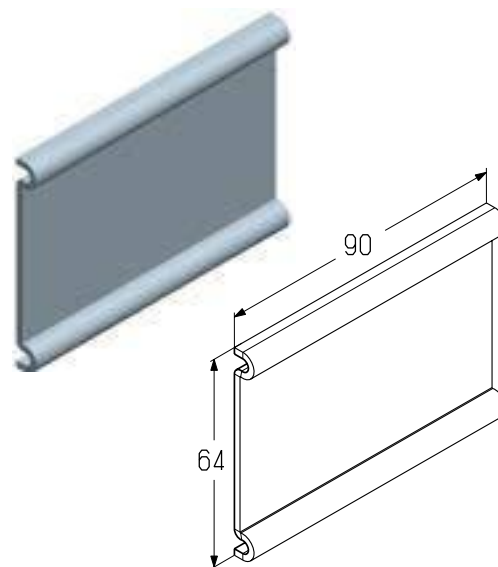


Пластина соединительная

Предназначена для соединения горизонтальных направляющих.
Используется в гаражных и промышленных воротах всех типов монтажа.

Материал оцинкованная сталь
 Вес, кг/шт. 0,112
 Единица измерения шт.
 Норма поставки, шт. 170

Арт.	Код	Розничная цена, евро с НДС
CP864	402811200	1,10


Пластина соединительная передняя

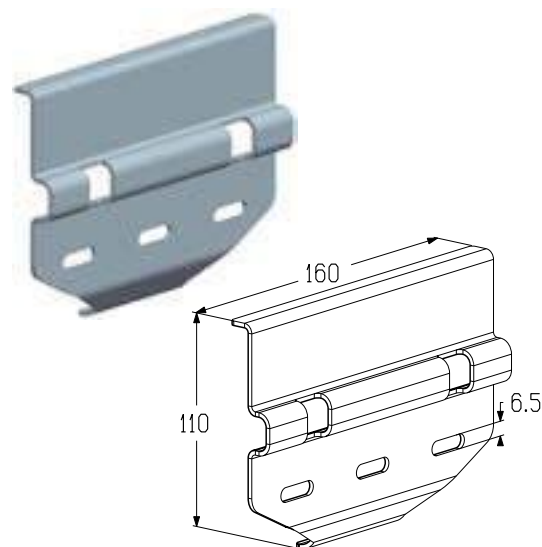
Предназначена для соединения горизонтальной направляющей с элементом радиусным и узлом направляющим передним.

Используется:

- в гаражных воротах стандартного и низкого типов монтажа;
- в промышленных воротах низкого и наклонного низкого типов монтажа.

Толщина, мм 2
 Материал оцинкованная сталь
 Вес, кг/шт. 0,294
 Единица измерения шт.
 Норма поставки, шт. 80

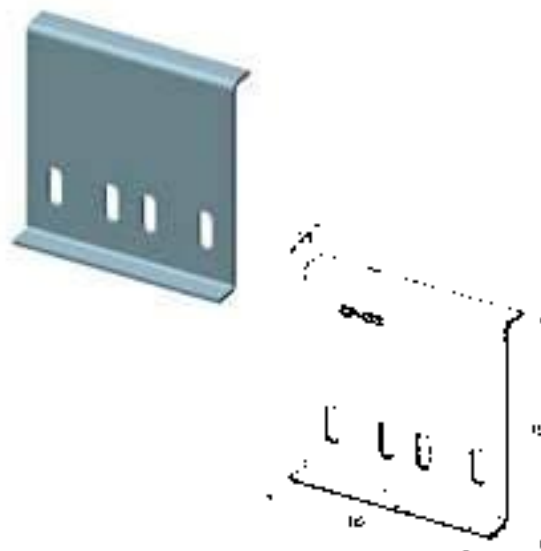
Арт.	Код	Розничная цена, евро с НДС
CP861	402811100	4,45


Пластина соединительная передняя

Предназначена для соединения горизонтальной направляющей с элементом радиусным и узлом направляющим передним.
Используется в промышленных воротах всех типов монтажа (кроме низких).

Материал оцинкованная сталь
 Вес, кг/шт. 0,215
 Единица измерения шт.
 Норма поставки, шт. 100

Арт.	Код
CP-133	402811900



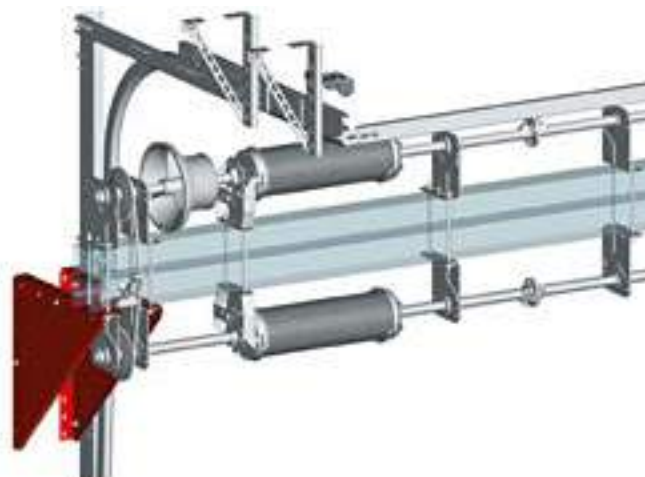
КРОНШТЕЙНЫ И ПЛАСТИНЫ СОЕДИНИТЕЛЬНЫЕ

УСТАНОВКА КРОНШТЕЙНА И ПЛАСТИНЫ

Одновальная система балансировки



Двухвальная система балансировки

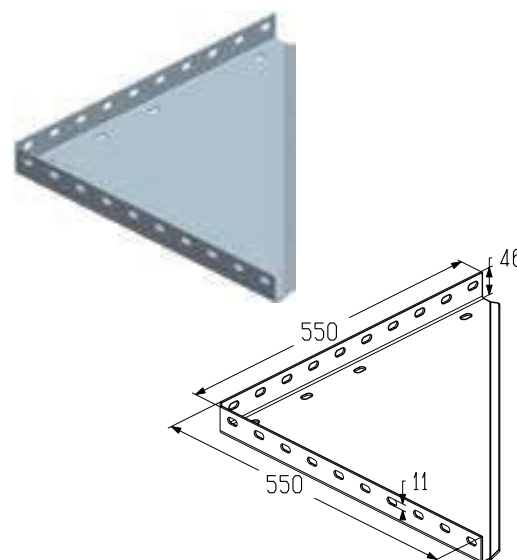


Кронштейн

Предназначен для установки профиля несущего. Используется в промышленных воротах высокого, вертикального, наклонного типов монтажа с нижним расположением вала с одновальной и двухвальной системами балансировки.

Материал оцинкованная сталь
 Вес, кг/шт. 4,818
 Единица измерения шт.
 Норма поставки, шт. 4

Арт.	Код	Розничная цена, евро с НДС
TP-550	402620000	63,70

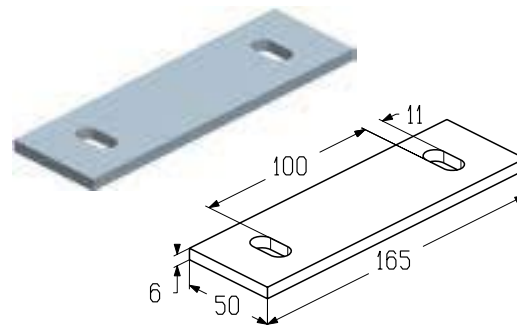


Пластина

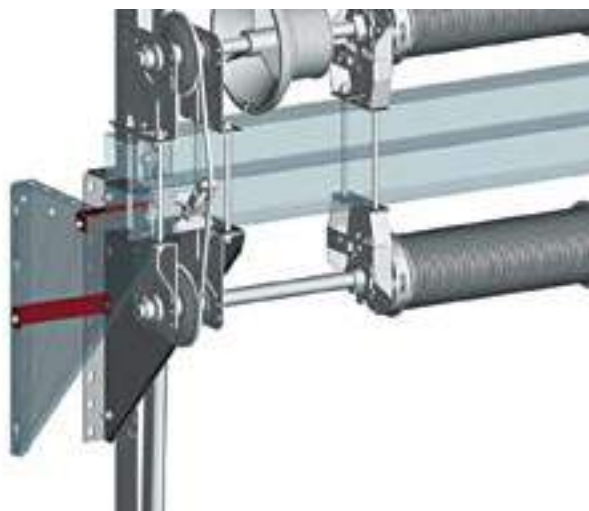
Предназначена для фиксации элементов торсионного вала. Используется в промышленных воротах высокого, вертикального, наклонного типов монтажа с нижним расположением вала с одновальной системой балансировки.

Материал оцинкованная сталь
 Вес, кг/шт. 0,355
 Единица измерения шт.
 Норма поставки, шт. 50

Арт.	Код	Розничная цена, евро с НДС
MS-550	402811300	5,00



УСТАНОВКА КРОНШТЕЙНА

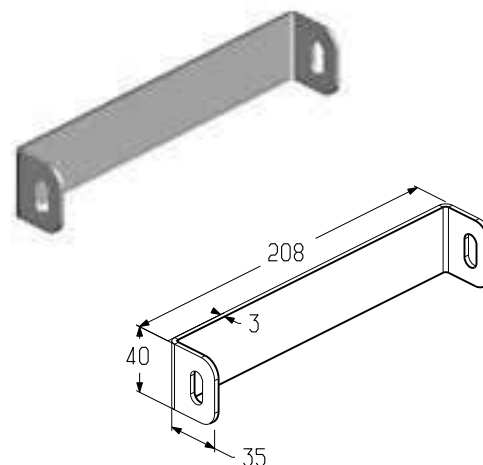


Кронштейн

Предназначена для крепления кронштейнов (TP-550) между собой.
Используется в промышленных воротах высокого, вертикального, наклонного типов монтажа с нижним расположением вала с двухвальной системой балансировки.

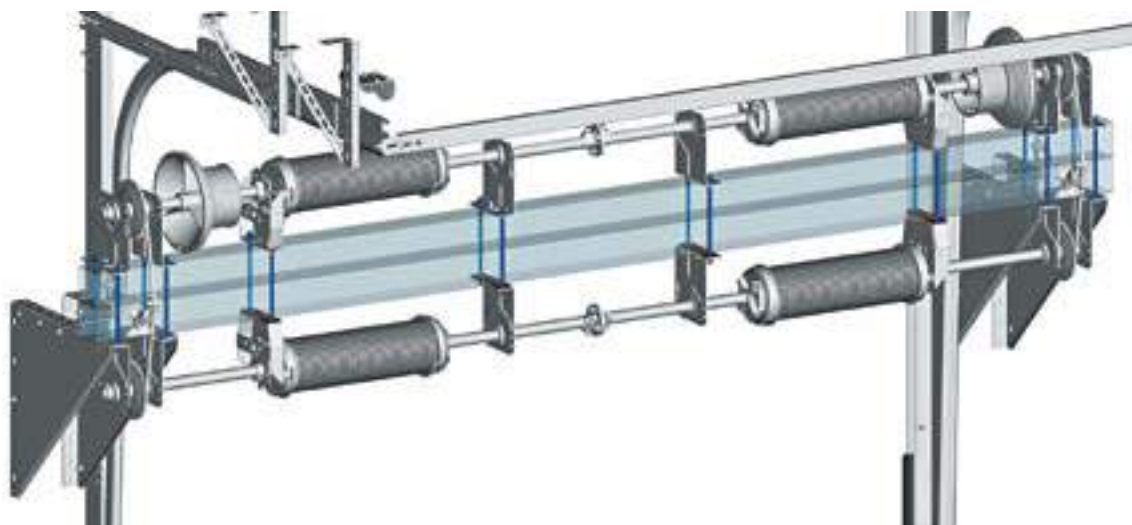
Материал Оцинкованная сталь
Вес, кг/шт. 0,28
Единица измерения шт.
Норма поставки, шт. 72

Арт.	Код	Розничная цена, евро с НДС
TSS4012	403901900	4,00



КРОНШТЕЙНЫ И ПЛАСТИНЫ СОЕДИНИТЕЛЬНЫЕ

УСТАНОВКА ПЛАСТИНЫ И КОМПЛЕКТА КРЕПЕЖНОГО

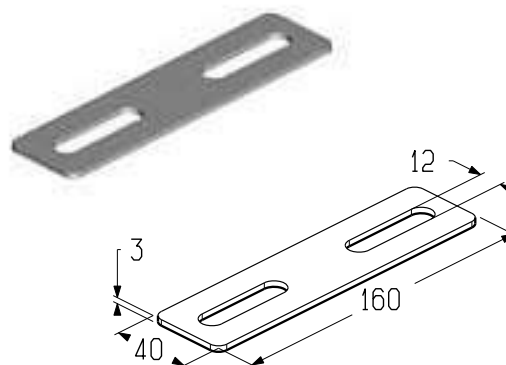


Пластина

Предназначена для фиксации элементов торсионного вала.
Используется в промышленных воротах высокого, вертикального, наклонного типов монтажа с нижним расположением вала с двухвальной системой балансировки.

Материал оцинкованная сталь
Вес, кг/шт. 0,125
Единица измерения шт.
Норма поставки, шт. 150

Арт.	Код	Розничная цена, евро с НДС
TSS4014	403902200	2,10

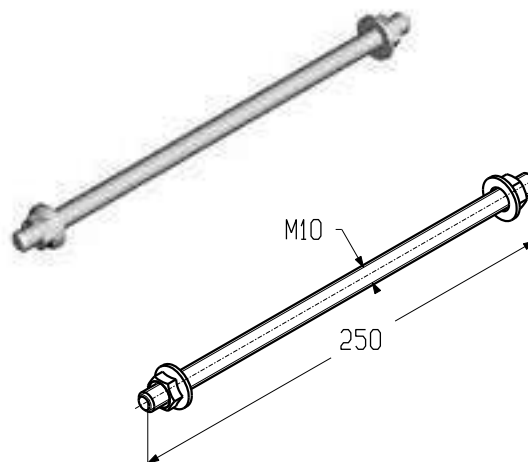


Комплект крепежный

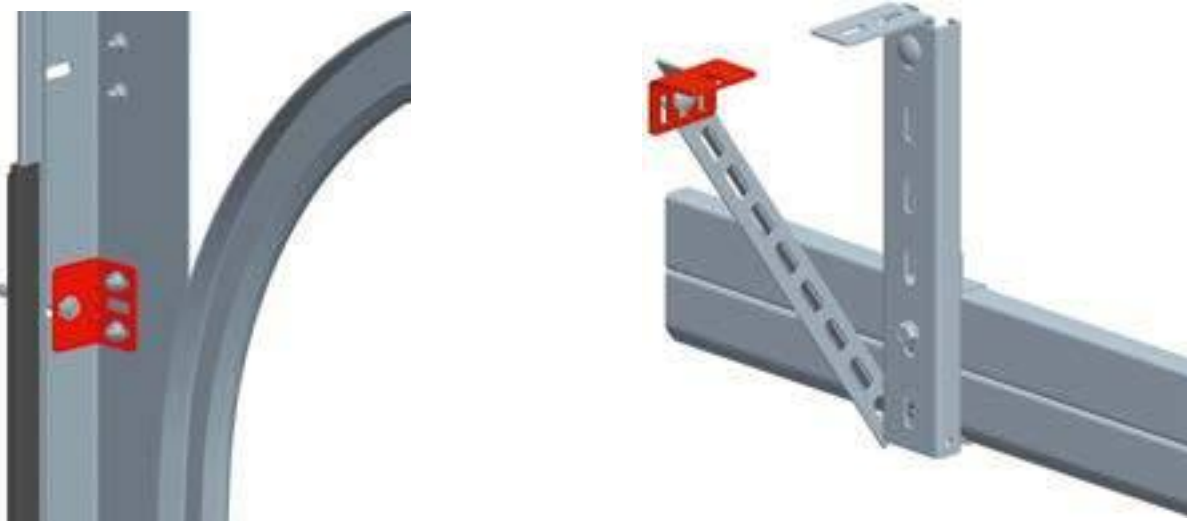
Предназначена для фиксации элементов торсионного вала.
Используется в промышленных воротах высокого, вертикального, наклонного типов монтажа с нижним расположением вала с двухвальной системой балансировки.

Материал оцинкованная сталь
Вес, кг/шт. 0,14
Единица измерения шт.
Норма поставки, шт. 150

Арт.	Код	Розничная цена, евро с НДС
TSS4013	403902100	4,00



УСТАНОВКА КРОНШТЕЙНА

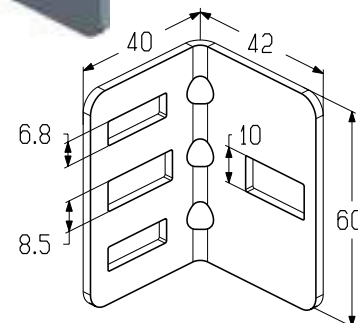


Кронштейн

Предназначен:

- для крепления профиля углового к стене;
 - для крепления профиля монтажного (PRG09) и С-профиля (PRG06) к потолку.
- Используется в гаражных и промышленных воротах всех типов монтажа.

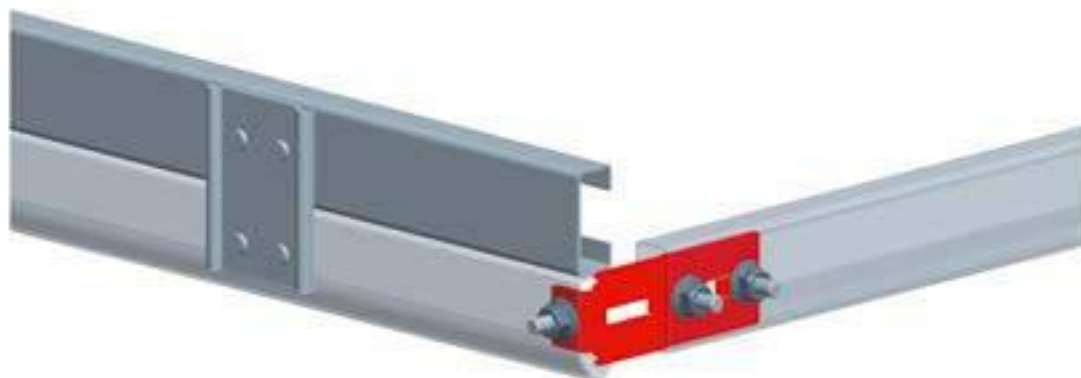
Материал оцинкованная сталь
 Вес, кг/шт. 0,076
 Единица измерения шт.
 Норма поставки, шт. 280



Арт.	Код	Розничная цена, евро с НДС
В0300	402600400	1,30

КРОНШТЕЙНЫ И ПЛАСТИНЫ СОЕДИНИТЕЛЬНЫЕ

УСТАНОВКА КРОНШТЕЙНА МЕРНОЙ ПЛАНКИ

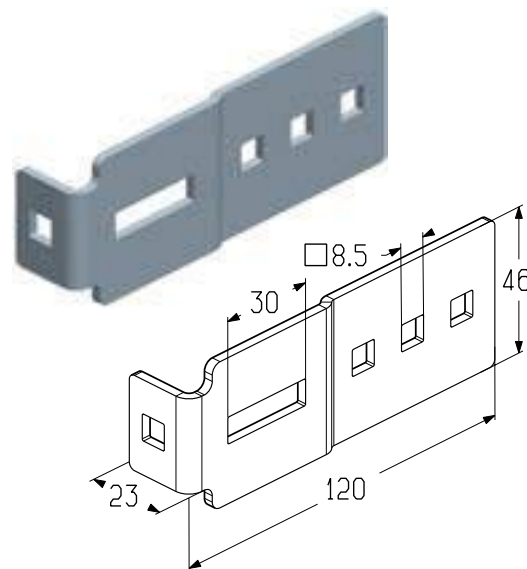


Кронштейн мерной планки

Предназначен для соединения профиля направляющего (горизонтального) с С-профилем (PRG07, PRG07N).
Используется в гаражных и промышленных воротах всех типов монтажа.

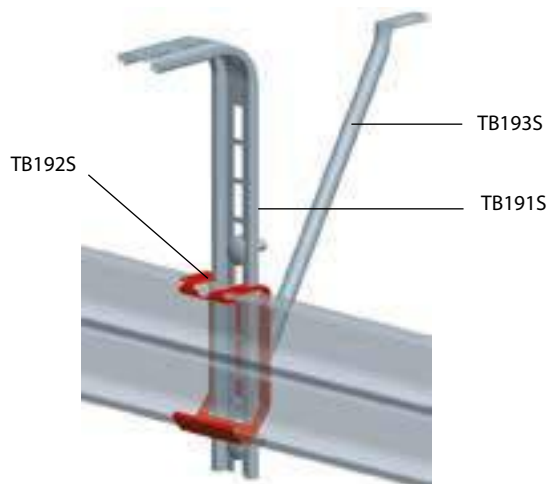
Материал.....оцинкованная сталь
Вес, кг/шт.....0,102
Единица измеренияшт.
Норма поставки, шт..... 220

Арт.	Код	Розничная цена, евро с НДС
V802	402620100	2,10

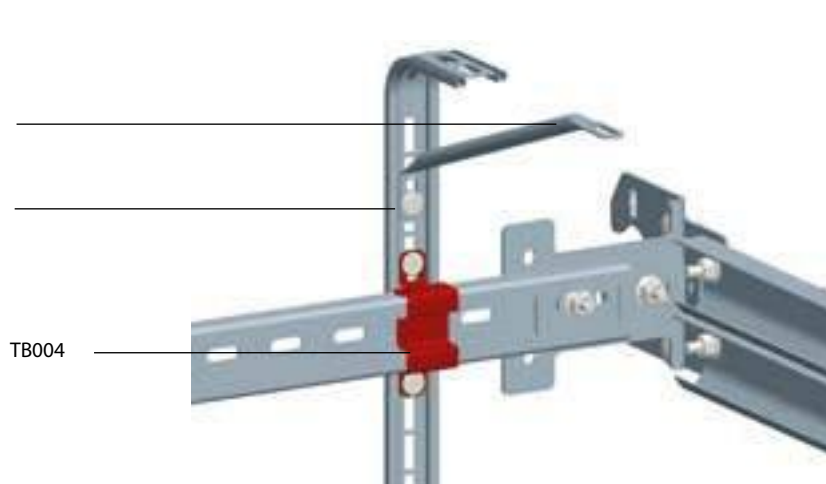


УСТАНОВКА ТЕЛЕСКОПИЧЕСКОГО ПОДВЕСА ДЛЯ ГАРАЖНЫХ ВОРОТ

Гаражные ворота стандартного типа монтажа



Гаражные ворота низкого типа монтажа



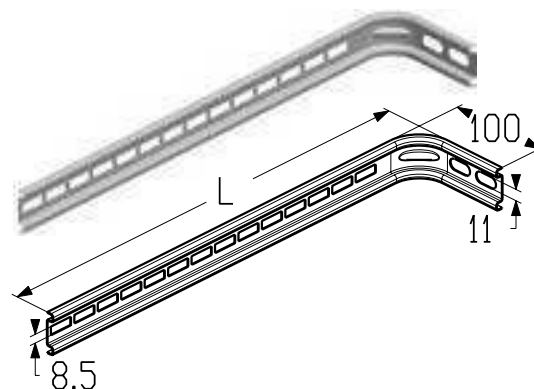
3.3

Подвес

Предназначен для изготовления системы телескопического подвеса. Используется в гаражных воротах стандартного и низкого типа монтажа.

Материал оцинкованная сталь
Единица измерения шт.

Арт.	Код	Длина, мм	Вес, кг/шт.	Норма поставки, шт.	Розничная цена, евро с НДС
ТВ191S-300	402811500	300	0,192	300	4,00
ТВ191S-500	402811600	500	0,282	200	6,00
ТВ191S-800	402811700	800	0,413	120	8,00
ТВ191S-1000	402811800	1000	0,514	100	9,00

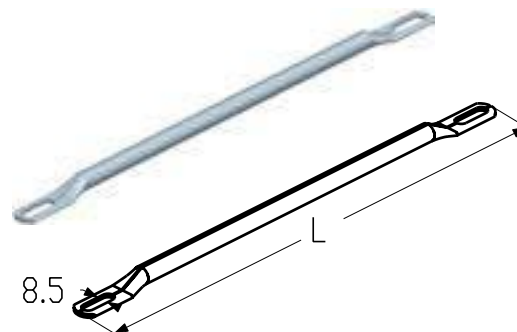


Раскос

Предназначен для изготовления системы телескопического подвеса. Используется в гаражных воротах стандартного и низкого типа монтажа.

Материал оцинкованная сталь
Единица измерения шт.
Норма поставки, шт. 400

Арт.	Код	Длина, мм	Вес, кг/шт.	Розничная цена, евро с НДС
ТВ193S-330	402910600	330	0,082	2,00
ТВ193S-680	402910700	680	0,190	4,50
ТВ193S-910	402910800	910	0,261	5,50



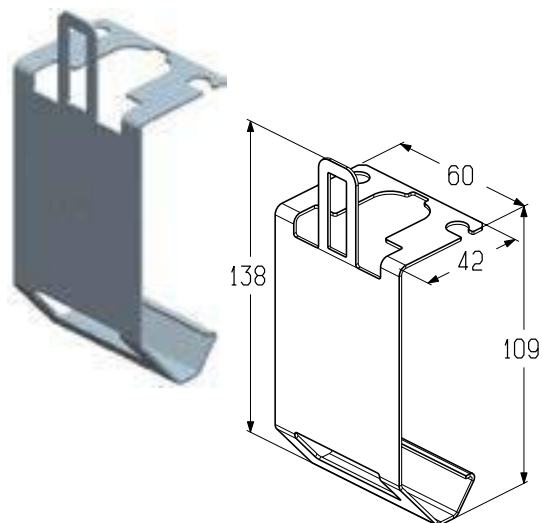
СИСТЕМА ТЕЛЕСКОПИЧЕСКОГО ПОДВЕСА

Кронштейн

Предназначен для изготовления системы телескопического подвеса.
Используется в гаражных воротах стандартного типа монтажа.

Материал оцинкованная сталь
Вес, кг/шт. 0,082
Единица измерения шт.
Норма поставки, шт. 400

Арт.	Код	Розничная цена, евро с НДС
ТВ192S	402610700	2,50

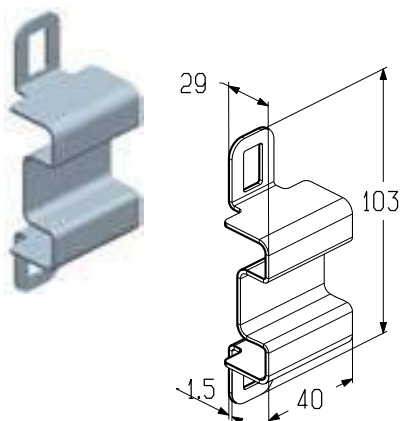


Кронштейн

Предназначен для изготовления системы телескопического подвеса.
Используется в гаражных воротах низкого типа монтажа.

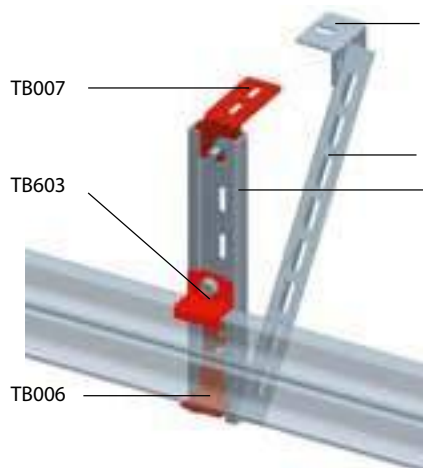
Материал оцинкованная сталь
Вес, кг/шт. 0,065
Единица измерения шт.
Норма поставки, шт. 210

Арт.	Код	Розничная цена, евро с НДС
ТВ004	402610800	2,40

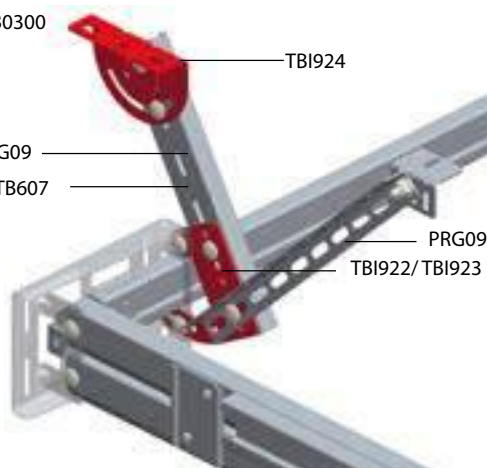


УСТАНОВКА ТЕЛЕСКОПИЧЕСКОГО ПОДВЕСА

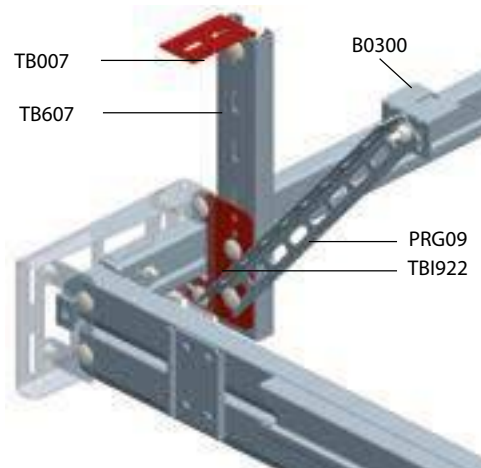
Подвес горизонтальных направляющих



Подвес мерной планки для наклонного низкого монтажа



Подвес мерной планки для низкого монтажа



Кронштейн подвеса

Предназначен для изготовления системы телескопического подвеса.

Используется:

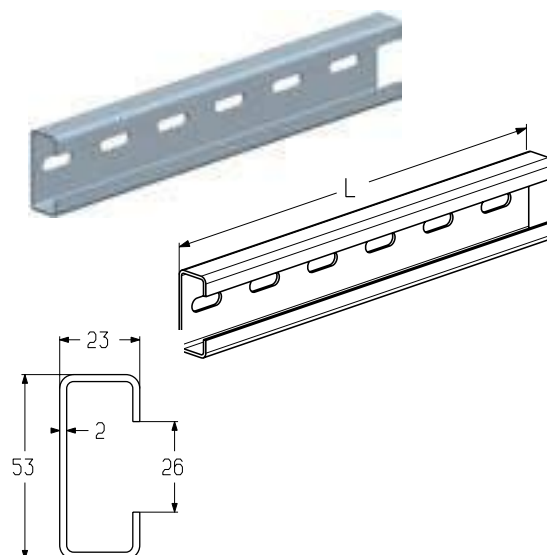
- в гаражных воротах высокого типа монтажа;
- промышленных воротах всех типов монтажа.

Материал оцинкованная сталь

Единица измерения шт.

Норма поставки, шт. 100

Арт.	Код	Длина (L), мм	Вес, кг/шт.	Розничная цена, евро с НДС
ТВ607-300	402610000	300	0,48	2,50
ТВ607-500	402610100	500	0,80	4,00
ТВ607-800	402610200	800	1,28	6,50
ТВ607-1000	402610300	1000	1,60	8,00
ТВ607-1500	402610400	1500	2,40	12,00



Кронштейн монтажный

Предназначен для подвеса горизонтальных направляющих.

Устанавливается совместно с кронштейном (ТВ006).

Используется в промышленных воротах низкого и наклонного низкого типов монтажа.

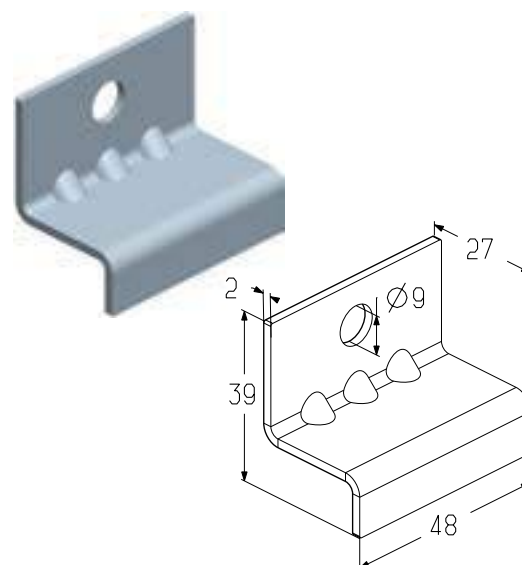
Материал оцинкованная сталь

Вес, кг/шт. 0,038

Единица измерения шт.

Норма поставки, шт. 500

Арт.	Код	Розничная цена, евро с НДС
ТВ603	402620200	0,80



СИСТЕМА ТЕЛЕСКОПИЧЕСКОГО ПОДВЕСА

Кронштейн монтажный

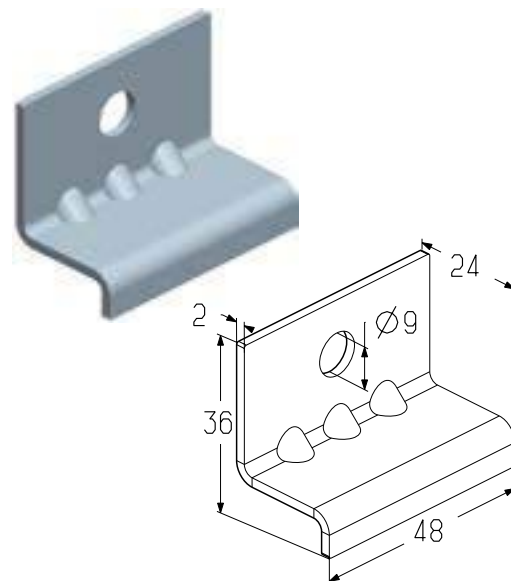
Предназначен для подвеса горизонтальных направляющих.

Устанавливается совместно с кронштейном (ТВ006):

- в гаражных воротах высокого типа монтажа;
- в промышленных воротах всех типов монтажа, кроме низкого и наклонного низкого.

Материал.....оцинкованная сталь
 Вес, кг/шт.....0,038
 Единица измеренияшт.
 Норма поставки, шт..... 500

Арт.	Код	Розничная цена, евро с НДС
ТВ604	402620300	0,80



Пластина

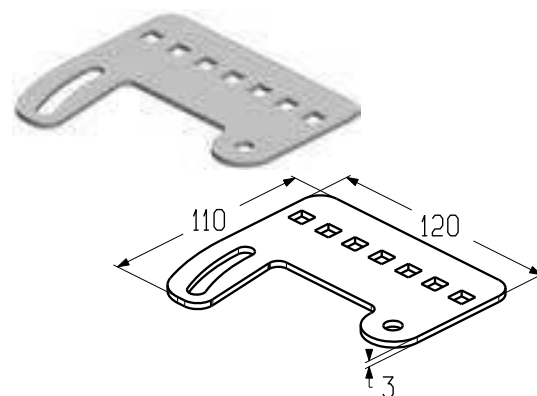
Предназначена для подвеса мерной планки.

Устанавливается совместно с кронштейном (ТВ607).

Используется в промышленных воротах низкого монтажа и наклонного низкого типа монтажа с наклоном горизонтальных направляющих до 20°.

Материал.....оцинкованная сталь
 Вес, кг/шт.....0,18
 Единица измеренияшт.
 Норма поставки, шт..... 140

Арт.	Код	Розничная цена, евро с НДС
ТВ1922	403490300	4,00



Пластина

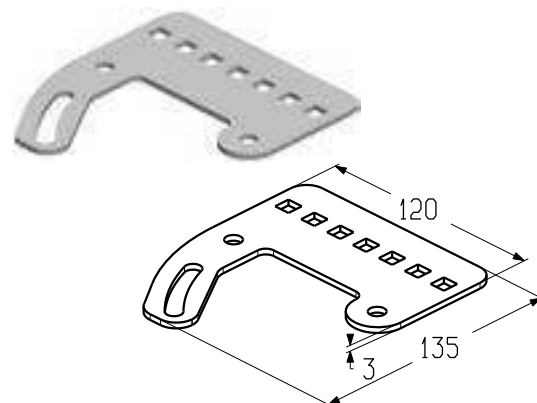
Предназначена для подвеса мерной планки.

Устанавливается совместно с кронштейном (ТВ607).

Используется в промышленных воротах наклонного низкого типа монтажа с наклоном горизонтальных направляющих 25-30°.

Материал.....оцинкованная сталь
 Вес, кг/шт.....0,20
 Единица измеренияшт.
 Норма поставки, шт..... 45

Арт.	Код	Розничная цена, евро с НДС
ТВ1923	403490400	4,00



СИСТЕМА ТЕЛЕСКОПИЧЕСКОГО ПОДВЕСА

Кронштейн

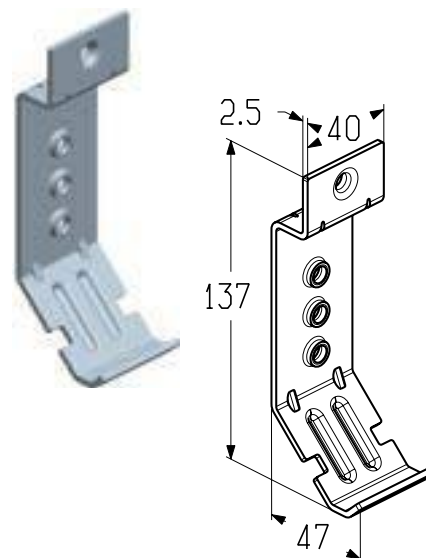
Предназначен для подвеса горизонтальных направляющих.
Устанавливается совместно с кронштейном монтажным (ТВ603)
в промышленных воротах низкого и наклонного низкого типов монтажа.
Используется для подвеса мерной планки промышленных ворот низкого типа монтажа.

Устанавливается совместно с кронштейном монтажным (ТВ604):

- в гаражных воротах высокого типа монтажа;
- в промышленных воротах всех типов монтажа кроме низкого и наклонного низкого.

Материал оцинкованная сталь
Вес, кг/шт. 0,112
Единица измерения шт.
Норма поставки, шт. 300

Арт.	Код	Розничная цена, евро с НДС
ТВ006	402610500	2,40



3.3

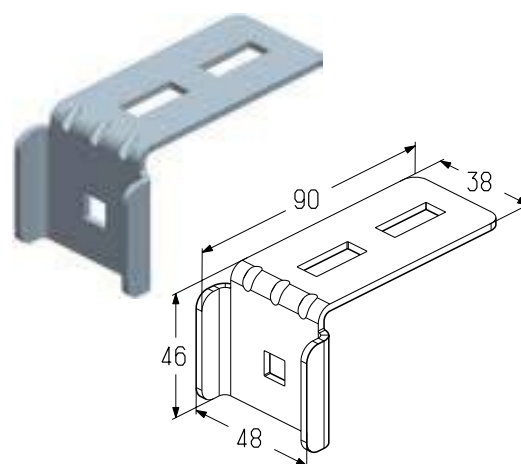
Кронштейн угловой

Предназначен для крепления кронштейна подвеса (ТВ607) к потолку.
Используется для подвеса горизонтальных направляющих:

- в гаражных воротах высокого типа монтажа;
- промышленных воротах всех типов монтажа.

Материал оцинкованная сталь
Вес, кг/шт. 0,115
Единица измерения шт.
Норма поставки, шт. 200

Арт.	Код	Розничная цена, евро с НДС
ТВ007	402630000	2,30

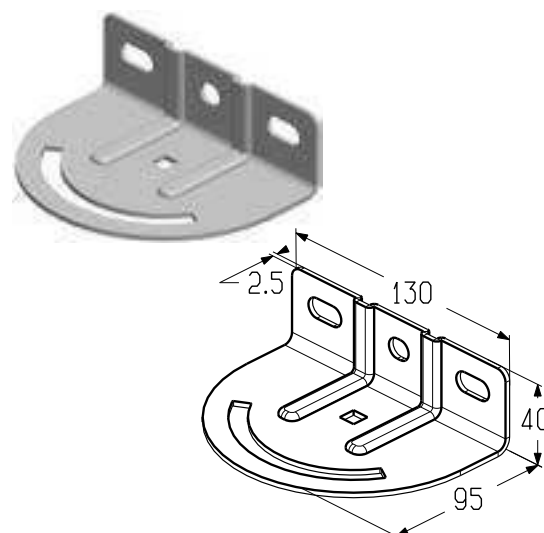


Кронштейн

Предназначен для крепления кронштейна подвеса (ТВ607) к потолку.
Используется для подвеса мерной планки промышленных ворот наклонного низкого типов монтажа.

Материал оцинкованная сталь
Вес, кг/шт. 0,28
Единица измерения шт.
Норма поставки, шт. 45

Арт.	Код	Розничная цена, евро с НДС
ТВ1924	403490500	4,20



СИСТЕМА ТЕЛЕСКОПИЧЕСКОГО ПОДВЕСА

Профиль монтажный

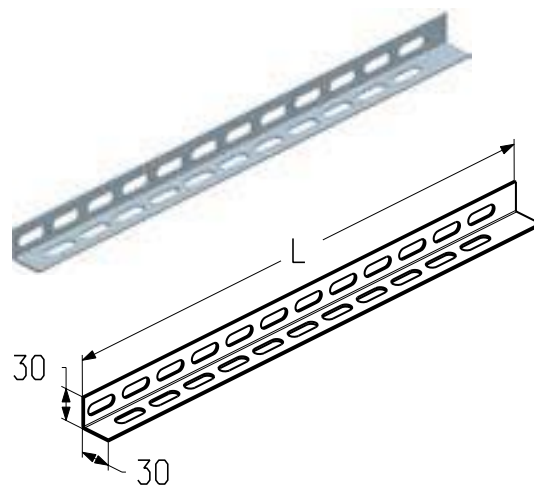
Предназначен для усиления телескопического подвеса.
Устанавливается совместно с кронштейном подвеса (ТВ607-300, ТВ607-500, ТВ607-800).

Используется:

- в гаражных воротах высокого типа монтажа;
- промышленных воротах всех типов монтажа.

Материал Оцинкованная сталь
Вес, кг/м 0,614
Единица измерения м

Арт.	Код	Длина (L), мм	Норма поставки		Розничная цена, евро с НДС
			м	шт.	
PRG09	402410400	1160	92,8	80	5,00
		1480	118,4	80	
		1800	144	80	
		3000	240	80	



С-профиль

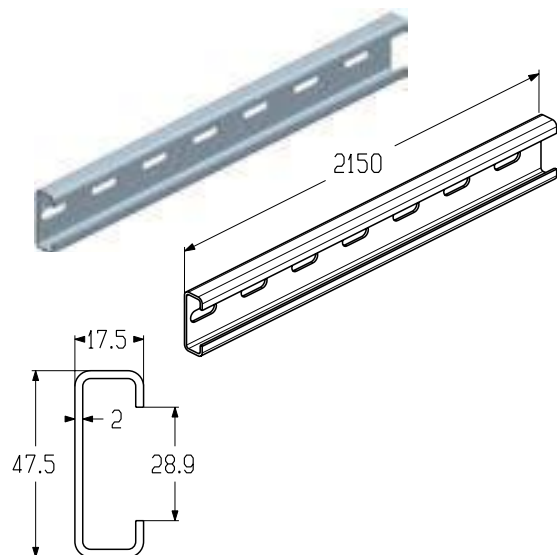
Перфорированный, предназначен для усиления телескопического подвеса.
Устанавливается совместно с кронштейном подвеса (ТВ607-1000, ТВ607-1500).

Используется:

- в гаражных воротах высокого типа монтажа;
- промышленных воротах всех типов монтажа.

Длина, мм 2150
Материал оцинкованная сталь
Вес, кг/м 1,38
Единица измерения м
Норма поставки, м 107,5

Арт.	Код	Розничная цена, евро с НДС
PRG06	402421700	6,30



УСТАНОВКА ДЕМПФЕРА



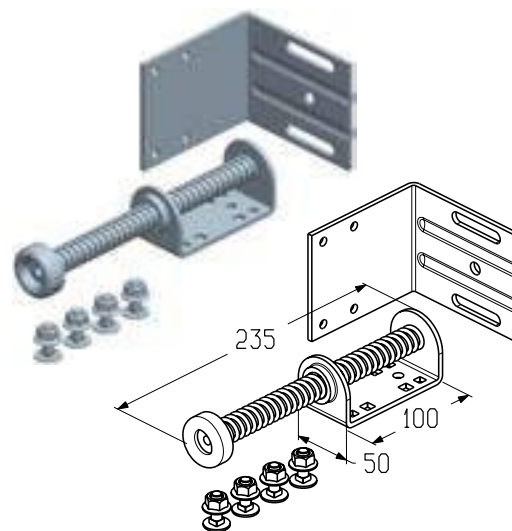
Демпфер

Предназначен для ограничения перемещения полотна промышленных ворот. Используется в промышленных воротах:

- без электропривода (цепного редуктора) стандартного типа монтажа;
- с навальным электроприводом (цепным редуктором) наклонного низкого типа монтажа;
- высокого, вертикального, наклонного высоко типов монтажа с верхним и нижним расположением вала; наклонного типа монтажа (для всех типов управления ворот).

Длина, мм 235
 Материал оцинкованная сталь
 Вес, кг/шт. 1,15
 Единица измерения шт.
 Норма поставки, шт. 60

Арт.	Код	Розничная цена, евро с НДС
SB-235	402910000	15,00

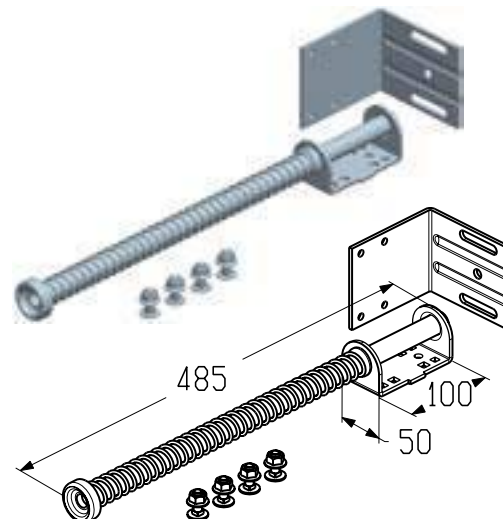


Демпфер

Предназначен для ограничения перемещения полотна промышленных ворот. Используется в промышленных воротах с навальным электроприводом и цепным редуктором стандартного и низкого типов монтажа.

Длина, мм 485
 Материал оцинкованная сталь
 Вес, кг/шт. 1,5
 Единица измерения шт.
 Норма поставки, шт. 30

Арт.	Код	Розничная цена, евро с НДС
SB-485	402910100	17,00



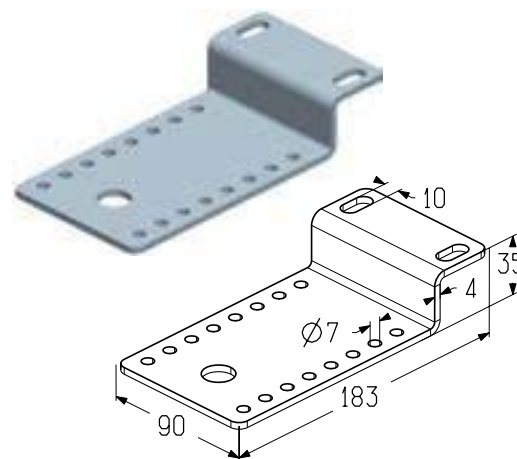
ОГРАНИЧИТЕЛИ ХОДА ПОЛОТНА

Кронштейн для демпфера

Предназначен для установки демпфера (SB-235, SB-485).
Используется в промышленных воротах низкого и наклонного низкого типов монтажа.

Материал оцинкованная сталь
Вес, кг/шт. 0,554
Единица измерения шт.
Норма поставки, шт. 40

Арт.	Код	Розничная цена, евро с НДС
BSB0302	402600500	9,50

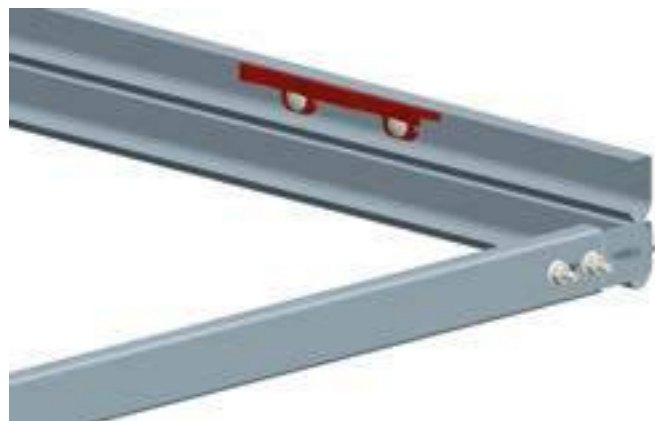


3.3

УСТАНОВКА ОГРАНИЧИТЕЛЯ И ФИКСАТОРА

Установка ограничителя

Установка фиксатора



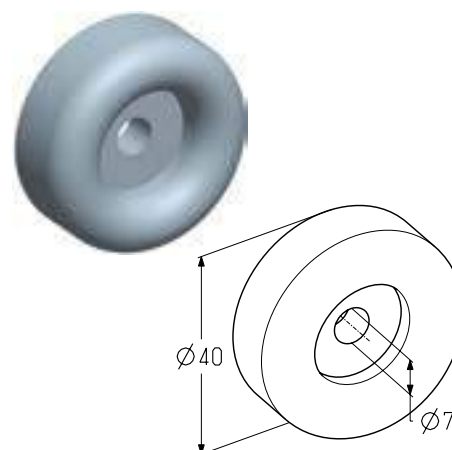
Ограничитель

Предназначен для ограничения перемещения полотна гаражных и промышленных ворот.

Используется:

- в гаражных воротах низкого и стандартного типов монтажа с автоматическим управлением;
- в гаражных воротах высокого типа монтажа с автоматическим и ручным управлением;
- в промышленных воротах низкого и наклонного низкого типов монтажа с ручным управлением и с реечным электроприводом.

Материал ТРЕ
 Вес, кг/шт. 0,03
 Единица измерения шт.
 Норма поставки, шт. 200

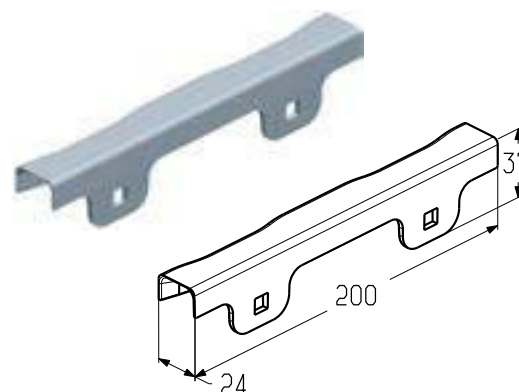


Арт.	Код	Розничная цена, евро с НДС
RS0301	402910200	1,40

Фиксатор

Предназначен для ограничения перемещения полотна гаражных ворот. Используется в гаражных воротах низкого и стандартного типов монтажа с ручным управлением.

Материал РА
 Вес, кг/шт. 0,154
 Единица измерения шт.
 Норма поставки, шт. 128



Арт.	Код	Розничная цена, евро с НДС
LH3004	402910900	6,50



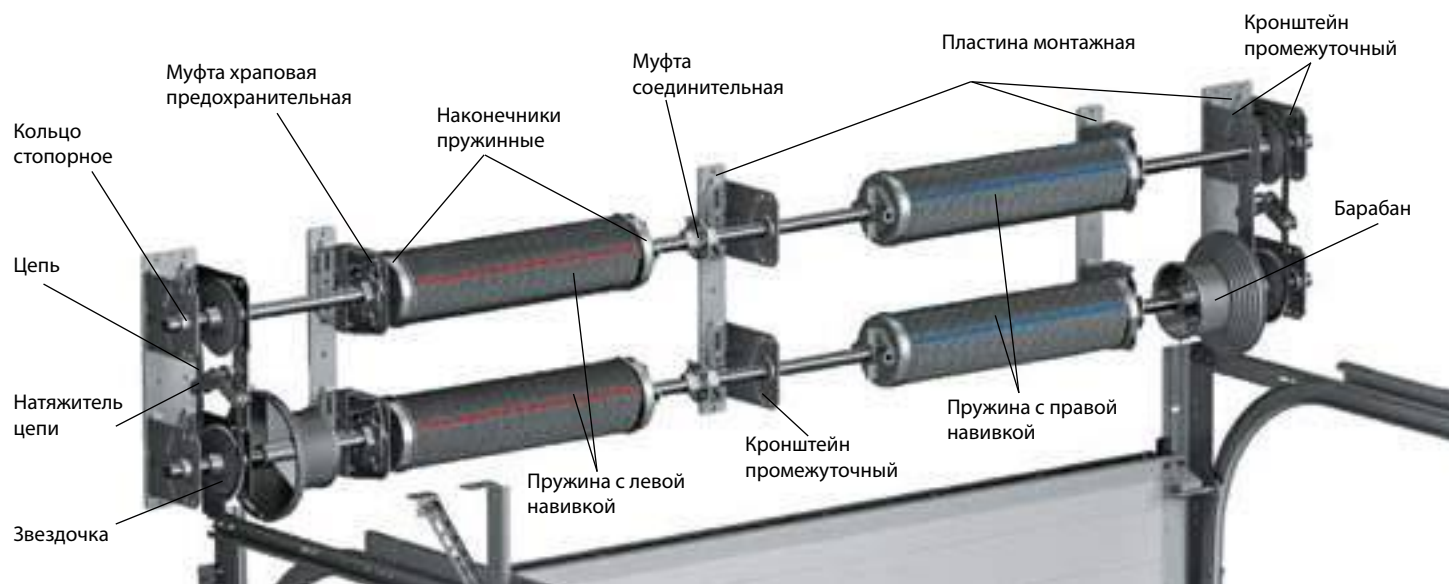
ТОРСИОННЫЙ ВАЛ

ТИПОВАЯ КОНСТРУКЦИЯ ТОРСИОННОГО ВАЛА В СОБЕРЕ

ОДНОВАЛЬНАЯ СИСТЕМА БАЛАНСИРОВКИ ПОЛОТНА ГАРАЖНЫХ И ПРОМЫШЛЕННЫХ ВОРОТ



ДВУХВАЛЬНАЯ СИСТЕМА БАЛАНСИРОВКИ ПОЛОТНА ПРОМЫШЛЕННЫХ ВОРОТ



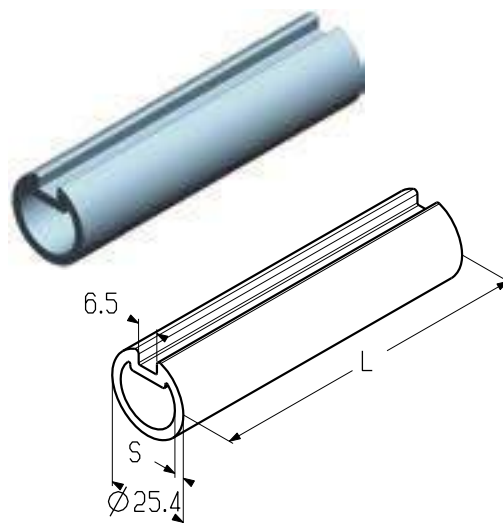
ВАЛЫ И МУФТЫ СОЕДИНИТЕЛЬНЫЕ

Вал

Применяется при массе полотна ворот менее 200 кг.
Используется для гаражных и промышленных ворот всех типов монтажа с одновальной системой балансировки.

Диаметр вала, мм 25,4
Материал оцинкованная сталь
Единица измерения м

Арт.	Код	Длина, мм	Вес, кг/м	Норма поставки		Розничная цена, евро с НДС
				м	шт.	
TSH-3000	403220000	3000	1,73	150	50	9,50
TSH-4500	403220100	4500	1,73	225	50	9,50
TSH-5500	403220200	5500	1,73	275	50	9,50

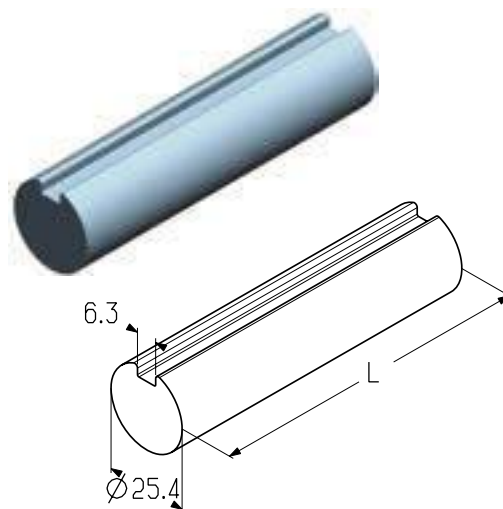


Вал

Применяется при массе полотна от 200 до 350 кг.
Используется для гаражных и промышленных ворот всех типов монтажа с одновальной системой балансировки.

Диаметр вала, мм 25,4
Материал оцинкованная сталь
Вес, кг/м 3,80
Единица измерения м

Арт.	Код	Длина, мм	Норма поставки		Розничная цена, евро с НДС
			м	шт.	
TSS-4500	403220500	4500	112,5	25	24,00
TSS-5000	403220300	5000	125	25	24,00

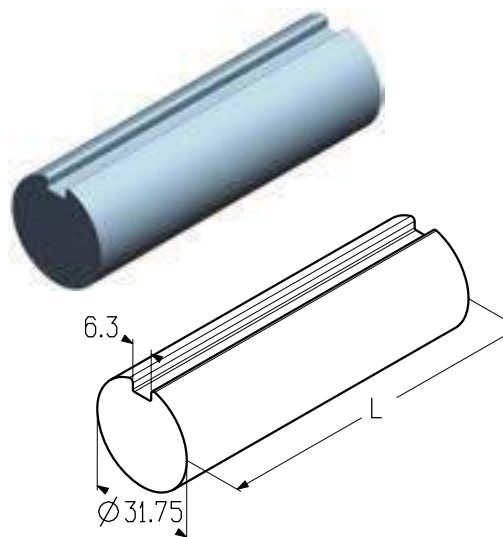


Вал

Применяется при массе полотна свыше 350 кг.
Используется для промышленных ворот всех типов монтажа с одновальной и двухвальной системами балансировки.

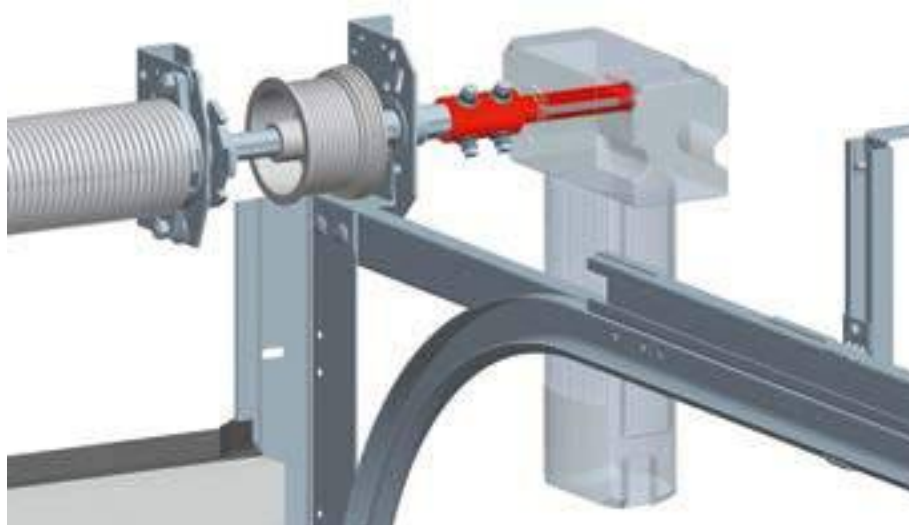
Диаметр вала, мм 31,75
Материал оцинкованная сталь
Вес, кг/м 6,02
Единица измерения м

Арт.	Код	Длина, мм	Норма поставки		Розничная цена, евро с НДС
			м	шт.	
TSS-5/4-3800	403230400	3800	95	25	38,00
TSS-5/4-5800	403230100	5800	145	25	45,00
TSS-5/4-6000	403230200	6000	150	25	78,00



3.4

УСТАНОВКА АДАПТЕРА ВАЛА



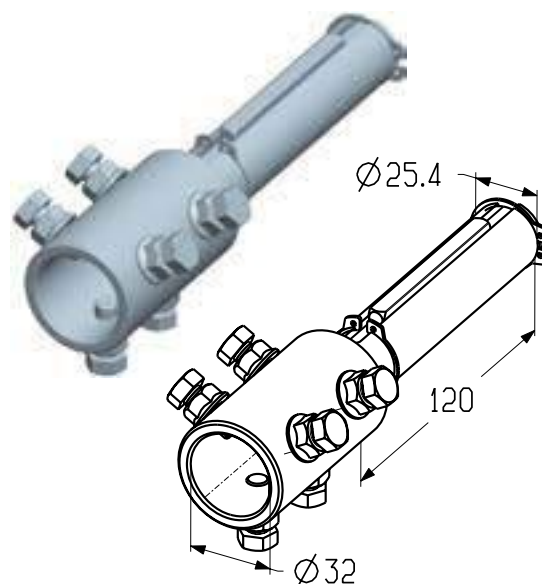
Адаптер

Предназначен для установки навалных электроприводов Nice и цепного редуктора на вал диаметром 31,75 мм.

Используется в промышленных воротах всех типов монтажа с одновальной и двухвальной системами балансировки.

Материал оцинкованная сталь
 Вес, кг/шт. 0,944
 Единица измерения шт.
 Норма поставки, шт. 10

Арт.	Код	Розничная цена, евро с НДС
SA-5/4	403720000	35,50



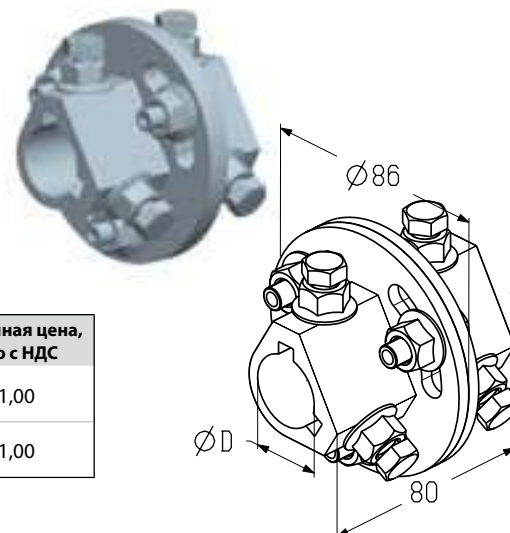
Муфта соединительная

Предназначена для сборки торсионного вала.

Используется в гаражных и промышленных воротах всех типов монтажа.

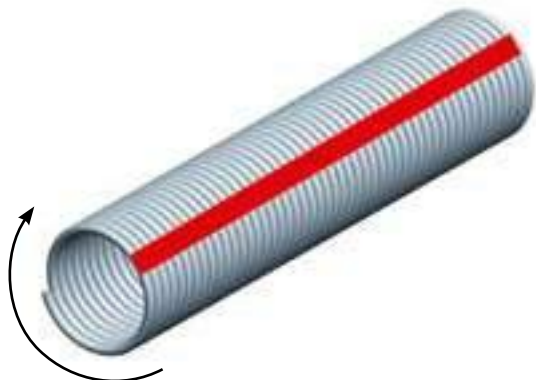
Материал оцинкованная сталь
 Единица измерения шт.

Арт.	Код	Диаметр вала, мм	Применение	Вес, кг/шт.	Норма поставки, шт.	Розничная цена, евро с НДС
АС-1	403710000	25,4	одновальная система балансировки	0,732	100	21,00
АС-5/4	403710100	31,75	двухвальная система балансировки	0,7	14	21,00



ПРУЖИНЫ И НАКОНЕЧНИКИ ПРУЖИННЫЕ

ПРУЖИНА С ЛЕВОЙ НАВИВКОЙ - L
(МАРКИРУЕТСЯ КРАСНЫМ ЦВЕТОМ)



ПРУЖИНА С ПРАВОЙ НАВИВКОЙ - R
(МАРКИРУЕТСЯ ЛЮБЫМ ДРУГИМ ЦВЕТОМ)



СХЕМАТИЧЕСКОЕ ИЗОБРАЖЕНИЕ ПРУЖИНЫ С НАКОНЕЧНИКАМИ ПРУЖИННЫМИ



СХЕМАТИЧЕСКОЕ ИЗОБРАЖЕНИЕ ДУПЛЕКСНОЙ ПРУЖИНЫ

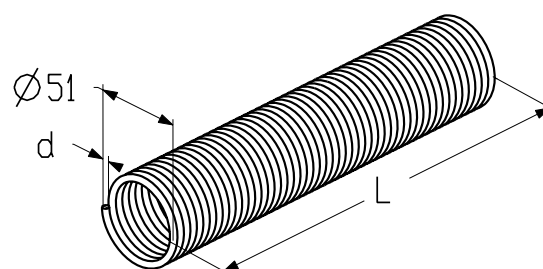


3.4

Пружина

Используется в гаражных и промышленных воротах всех типов монтажа с одновальной системой балансировки.

Внутренний диаметр, мм51
 Диаметр вала, мм 25,4
 Материал стальная проволока
 Покрытие полимерное
 Цвет RAL 9006
 Единица измерения м


3.4

w

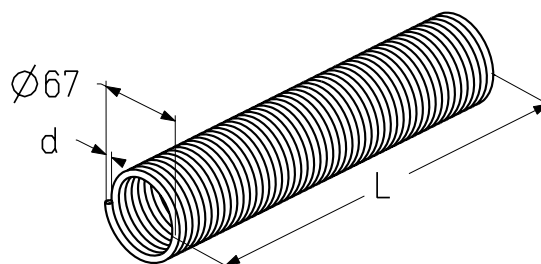
Арт.	Код	d, мм	Длина, мм	Вес, кг/м	Норма поставки		Розничная цена, евро с НДС
					м	шт.	
TSA42,5x51x900R	403380000	4,25	900	4,55	4,50	5	50,00
TSA42,5x51x900L	403380100	4,25	900	4,55	4,50	5	50,00
TSA45x51x1100R	403380200	4,5	1100	4,80	5,50	5	53,00
TSA45x51x1100L	403380300	4,5	1100	4,80	5,50	5	53,00
TSA47,5x51x1250R	403380400	4,75	1250	5,00	6,25	5	50,00
TSA47,5x51x1250L	403380500	4,75	1250	5,00	6,25	5	50,00
TSA50x51x1350R	403800100	5,0	1350	5,40	6,75	5	61,00
TSA50x51x1350L	403800200	5,0	1350	5,40	6,75	5	61,00
TSA52,5x51x1400R	403800500	5,25	1400	5,70	7,00	5	65,00
TSA52,5x51x1400L	403800600	5,25	1400	5,70	7,00	5	65,00
TSA52,5x51x1100R	403800300	5,25	1100	5,70	5,50	5	65,00
TSA52,5x51x1100L	403800400	5,25	1100	5,70	5,50	5	65,00
TSA55x51x1400R	403800700	5,5	1400	6,00	7,00	5	68,00
TSA55x51x1400L	403800800	5,5	1400	6,00	7,00	5	68,00
TSA57,5x51x1600R	403800900	5,75	1600	6,35	8,00	5	72,00
TSA57,5x51x1600L	403801000	5,75	1600	6,35	8,00	5	72,00
TSA60x51x1700R	403801100	6,0	1700	6,62	8,50	5	64,00
TSA60x51x1700L	403801200	6,0	1700	6,62	8,50	5	64,00
TSA62,5x51x1800R	403801300	6,25	1800	6,80	9,00	5	79,00
TSA62,5x51x1800L	403801400	6,25	1800	6,80	9,00	5	79,00
TSA65x51x1900R	403801500	6,5	1900	7,24	9,50	5	83,00
TSA65x51x1900L	403801600	6,5	1900	7,24	9,50	5	83,00
TSA70x51x1400R	403382000	7,0	1400	7,70	7,00	5	77,00
TSA70x51x1400L	403382100	7,0	1400	7,70	7,00	5	77,00
TSA70x51x2000R	403384800	7,0	2000	7,70	10,00	5	77,00
TSA70x51x2000L	403384900	7,0	2000	7,70	10,00	5	77,00

ПРУЖИНЫ И НАКОНЕЧНИКИ ПРУЖИННЫЕ

Пружина

Используется в гаражных и промышленных воротах всех типов монтажа с одновальным системой балансировки полотна.

Внутренний диаметр, мм67
 Диаметр вала, мм..... 25,4
 Материал..... стальная проволока
 Покрытие..... полимерное
 Цвет..... RAL 9006
 Единица измеренияМ



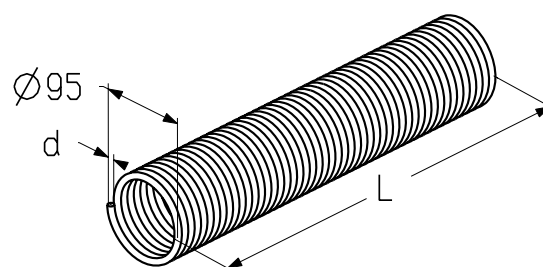
Арт.	Код	d, мм	Длина, мм	Вес, кг/м	Норма поставки		Розничная цена, евро с НДС
					м	шт.	
TSA55x67x1200R	403383700	5,5	1200	7,72	6,00	5	76,00
TSA55x67x1200L	403382400	5,5	1200	7,72	6,00	5	76,00
TSA57,5x67x1400R	403382500	5,75	1400	8,10	7,00	5	78,00
TSA57,5x67x1400L	403382600	5,75	1400	8,10	7,00	5	78,00
TSA60x67x1500R	403802700	6,0	1500	8,50	7,50	5	93,00
TSA60x67x1500L	403802800	6,0	1500	8,50	7,50	5	93,00
TSA62,5x67x1700R	403387200	6,25	1700	8,87	8,50	5	100,00
TSA62,5x67x1700L	403387300	6,25	1700	8,87	8,50	5	100,00
TSA65x67x1800R	403802100	6,5	1900	9,25	9,00	5	102,00
TSA65x67x1800L	403802200	6,5	1900	9,25	9,00	5	102,00
TSA70x67x2050R	403802300	7,0	2050	10,00	10,25	5	113,00
TSA70x67x2050L	403802400	7,0	2050	10,00	10,25	5	113,00
TSA75x67x2200R	403802500	7,5	2200	10,90	11,00	5	120,00
TSA75x67x2200L	403802600	7,5	2200	10,90	11,00	5	120,00

3.4

Пружина

Используется:

- в гаражных воротах высокого типа монтажа;
 - в промышленных воротах всех типов монтажа
- с одновальными и двухвальными системами балансировки.

 Внутренний диаметр, мм95
 Диаметр вала, мм25,4 / 31,75
 Материал стальная проволока
 Покрытие полимерное
 Цвет RAL 9006
 Единица измерения м


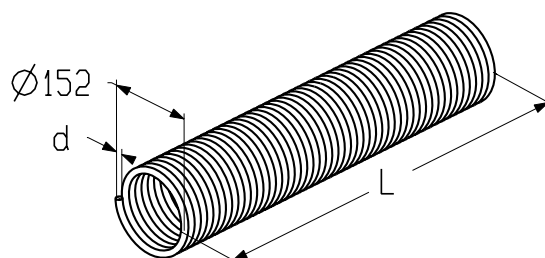
3.4

Арт.	Код	d, мм	Длина, мм	Вес, кг/м	Норма поставки		Розничная цена, евро с НДС
					м	шт.	
TSA65×95×1500L	403376300	6,5	1500	12,80	7,50	5	145,00
TSA65×95×1500R	403376200	6,5	1500	12,80	7,50	5	145,00
TSA70×95×1150L	403376500	7,0	1150	13,80	5,75	5	150,00
TSA70×95×1150R	403376400	7,0	1150	13,80	5,75	5	150,00
TSA70×95×1650L	403376700	7,0	1650	13,80	8,25	5	150,00
TSA70×95×1650R	403376600	7,0	1650	13,80	8,25	5	150,00
TSA75×95×1300L	403376900	7,5	1300	14,90	6,50	5	162,00
TSA75×95×1300R	403376800	7,5	1300	14,90	6,50	5	162,00
TSA75×95×1750L	403377100	7,5	1750	14,90	8,75	5	162,00
TSA75×95×1750R	403377000	7,5	1750	14,90	8,75	5	162,00
TSA80×95×1500L	403700200	8,0	1500	16,00	7,50	5	154,00
TSA80×95×1500R	403700100	8,0	1500	16,00	7,50	5	154,00
TSA80×95×2100L	403370700	8,0	2100	16,00	10,50	5	154,00
TSA80×95×2100R	403370800	8,0	2100	16,00	10,50	5	154,00
TSA85×95×1250L	403370900	8,5	1250	17,00	6,25	5	171,00
TSA85×95×1250R	403371000	8,5	1250	17,00	6,25	5	171,00
TSA85×95×1600L	403377300	8,5	1600	17,00	8,00	5	171,00
TSA85×95×1600R	403377200	8,5	1600	17,00	8,00	5	171,00
TSA90×95×1400L	403371100	9,0	1400	18,20	7,00	5	185,00
TSA90×95×1400R	403371200	9,0	1400	18,20	7,00	5	185,00
TSA90×95×1500L	403377500	9,0	1500	18,20	7,50	5	185,00
TSA90×95×1500R	403377400	9,0	1500	18,20	7,50	5	185,00
TSA90×95×1800L	403373700	9,0	1800	18,20	9,00	5	185,00
TSA90×95×1800R	403373800	9,0	1800	18,20	9,00	5	185,00
TSA95×95×1600L	403371300	9,5	1600	19,30	8,00	5	199,00
TSA95×95×1600R	403371400	9,5	1600	19,30	8,00	5	199,00
TSA95×95×1750L	403375200	9,5	1750	19,30	8,75	5	199,00
TSA95×95×1750R	403375300	9,5	1750	19,30	8,75	5	199,00

ПРУЖИНЫ И НАКОНЕЧНИКИ ПРУЖИННЫЕ
Пружина

Используется в промышленных воротах всех типов монтажа с одновальной и двухвальной системами балансировки.

Внутренний диаметр, мм 152
 Диаметр вала, мм 25,4 / 31,75
 Материал стальная проволока
 Покрытие полимерное
 Цвет RAL 9006
 Единица измерения м



Арт.	Код	d, мм	Длина, мм	Вес, кг/м	Норма поставки		Розничная цена, евро с НДС
					м	шт.	
TSA75×152×1300L	403377700	7,5	1300	23,20	6,50	5	240,00
TSA75×152×1300R	403377600	7,5	1300	23,20	6,50	5	240,00
TSA80×152×1500L	403377900	8,0	1500	24,90	7,50	5	271,00
TSA80×152×1500R	403377800	8,0	1500	24,90	7,50	5	271,00
TSA85×152×1250L	403700600	8,5	1250	26,40	6,25	5	286,00
TSA85×152×1250R	403700500	8,5	1250	26,40	6,25	5	286,00
TSA85×152×1750L	403700400	8,5	1750	26,40	8,75	5	286,00
TSA85×152×1750R	403700300	8,5	1750	26,40	8,75	5	286,00
TSA90×152×2200L	403378300	9,0	2200	28,00	11,00	5	304,00
TSA90×152×2200R	403378200	9,0	2200	28,00	11,00	5	304,00
TSA95×152×1300L	403375700	9,5	1300	29,60	6,50	5	344,00
TSA95×152×1300R	403375600	9,5	1300	29,60	6,50	5	344,00
TSA95×152×2250L	403372300	9,5	2250	29,60	11,25	5	344,00
TSA95×152×2250R	403372400	9,5	2250	29,60	11,25	5	344,00
TSA100×152×1400L	403700800	10,0	1400	31,30	7,00	5	355,00
TSA100×152×1400R	403700700	10,0	1400	31,30	7,00	5	355,00
TSA100×152×2450L	403701000	10,0	2450	31,30	12,25	5	355,00
TSA100×152×2450R	403700900	10,0	2450	31,30	12,25	5	355,00
TSA105×152×1400L	403372700	10,5	1400	33,13	7,00	5	355,00
TSA105×152×1400R	403372800	10,5	1400	33,13	7,00	5	355,00
TSA105×152×1650L	403378900	10,5	1650	33,13	8,25	5	360,00
TSA105×152×1650R	403378800	10,5	1650	33,13	8,25	5	360,00
TSA110×152×1550L	403375800	11,0	1550	34,70	7,75	5	335,00
TSA110×152×1550R	403375900	11,0	1550	34,70	7,75	5	335,00
TSA110×152×1800L	403379100	11,0	1800	34,70	9,00	5	335,00
TSA110×152×1800R	403379000	11,0	1800	34,70	9,00	5	335,00
TSA115×152×1800L	403701200	11,5	1800	36,51	9,00	5	407,00
TSA115×152×1800R	403701100	11,5	1800	36,51	9,00	5	407,00
TSA120×152×1700L	403379500	12,0	1700	38,10	8,50	5	373,00
TSA120×152×1700R	403379400	12,0	1700	38,10	8,50	5	373,00
TSA120×152×2100L	403373300	12,0	2100	38,10	10,50	5	373,00
TSA120×152×2100R	403373400	12,0	2100	38,10	10,50	5	373,00

Наконечники пружинные 51 мм

Используются совместно с пружинами с внутренним диаметром 51 мм.

 Материалалюминий
 Диаметр вала, мм 25,4
 Вес, кг/пара 0,7
 Единица измерения пара
 Норма поставки, пара 100

Арт.	Код	Розничная цена, евро с НДС
SF-51	403120000	11,00



3.4

Наконечники пружинные 67 мм

Используются совместно с пружинами с внутренним диаметром 67 мм.

 Материалалюминий
 Диаметр вала, мм 25,4
 Вес, кг/пара 1
 Единица измерения пара
 Норма поставки, пара 100

Арт.	Код	Розничная цена, евро с НДС
SF-67	403120100	15,00


Наконечники пружинные 95 мм

Используются совместно с пружинами с внутренним диаметром 95 мм.

 Материалалюминий
 Диаметр вала, мм 25,4
 Вес, кг/пара 3,2
 Единица измерения пара
 Норма поставки, пара 20

Арт.	Код	Розничная цена, евро с НДС
SF-95	403120200	19,00



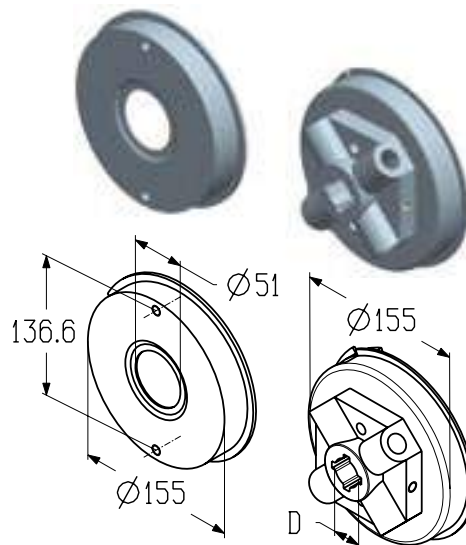
ПРУЖИНЫ И НАКОНЕЧНИКИ ПРУЖИННЫЕ

Наконечники пружинные 152 мм

Используются совместно с пружинами с внутренним диаметром 152 мм.

Материал.....алюминий
 Вес, кг/пара2,5
 Единица измеренияпара
 Норма поставки, пара24

Арт.	Код	Диаметр вала, мм	Розничная цена, евро с НДС
SF-152	403120300	25,4	44,00
SF-152-5/4	403130000	31,75	44,00

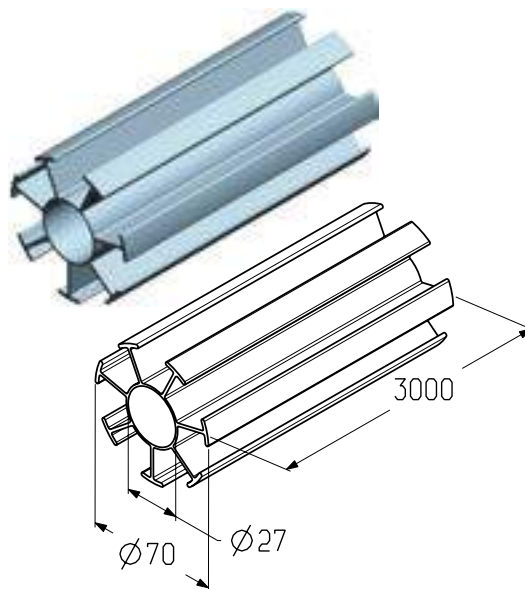


Профиль проставочный

Применяется совместно с пружиной с внутренним диаметром 95 мм.

Диаметр вала, мм.....25,4
 Длина, мм3000
 Материал.....ПВХ
 Вес, кг/м1,7
 Единица измерениям
 Норма поставки, м150

Арт.	Код	Розничная цена, евро с НДС
IP-95-3000	403520000	11,00

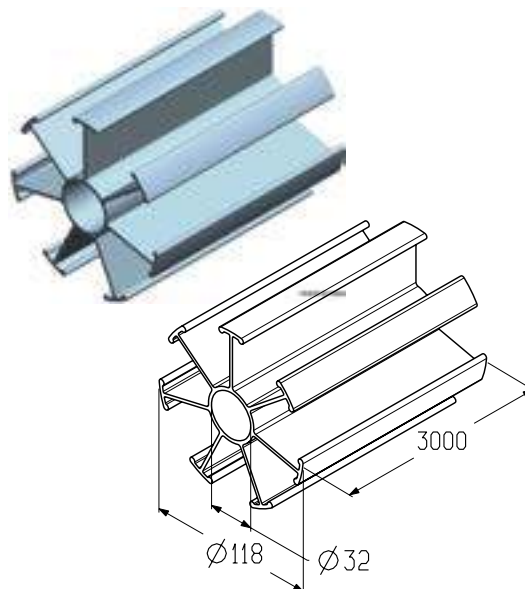


Профиль проставочный

Применяется совместно с пружиной с внутренним диаметром 152 мм.

Диаметр вала, мм.....25,4 / 31,75
 Длина, мм3000
 Материал.....ПВХ
 Вес, кг/м1,16
 Единица измерениям
 Норма поставки, м225

Арт.	Код	Розничная цена, евро с НДС
IP-152-3000	403520100	21,00

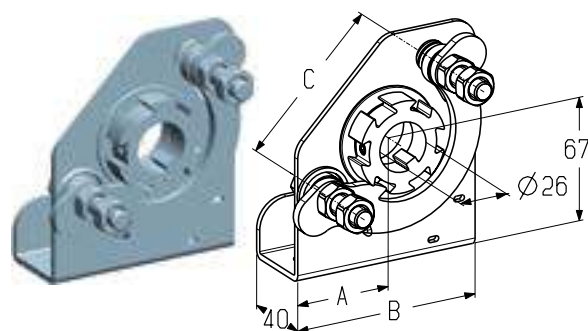


МУФТЫ ПРЕДОХРАНИТЕЛЬНЫЕ ХРАПОВЫЕ

Муфта предохранительная храповая

Предназначена для блокировки вала при поломке пружины.
Используется в гаражных воротах стандартного и низкого типов монтажа.

Материал оцинкованная сталь
Диаметр вала, мм 25,4
Единица измерения шт.



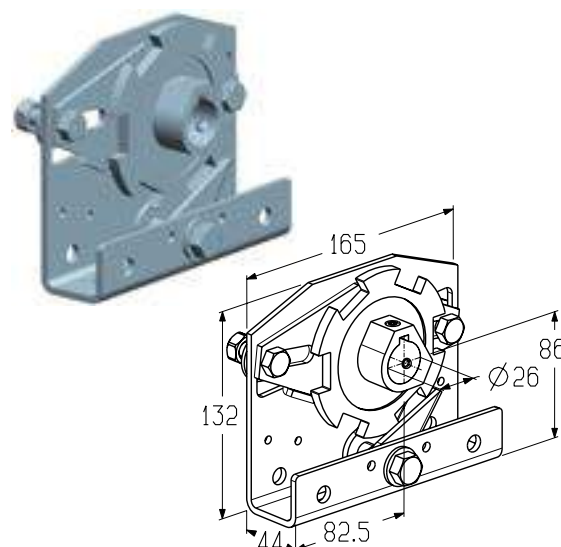
Арт.	Код	Основные размеры, мм			Вес, кг/шт.	Примечание	Применение	Норма поставки, шт.	Розничная цена, евро с НДС
		A	B	C					
SBD-51L	403730000	50	100	86	0,74	Левая	Устанавливается совместно с пружиной с внутренним диаметром 51 мм	24	24,00
SBD-51R	403730100	50	100	86	0,74	Правая		24	24,00
SBD-67L	403730200	55	110	105	0,795	Левая	Устанавливается совместно с пружиной с внутренним диаметром 67 мм	24	24,00
SBD-67R	403730300	55	110	105	0,795	Правая		24	24,00

Муфта предохранительная храповая

Предназначена для блокировки вала при поломке пружины.
Используется:

- в гаражных воротах высокого типа монтажа;
- в промышленных воротах всех типов монтажа с одновальной системой балансировки.

Диаметр вала, мм 25,4
Материал оцинкованная сталь
Вес, кг/шт. 1,67
Единица измерения шт.
Норма поставки, шт. 10

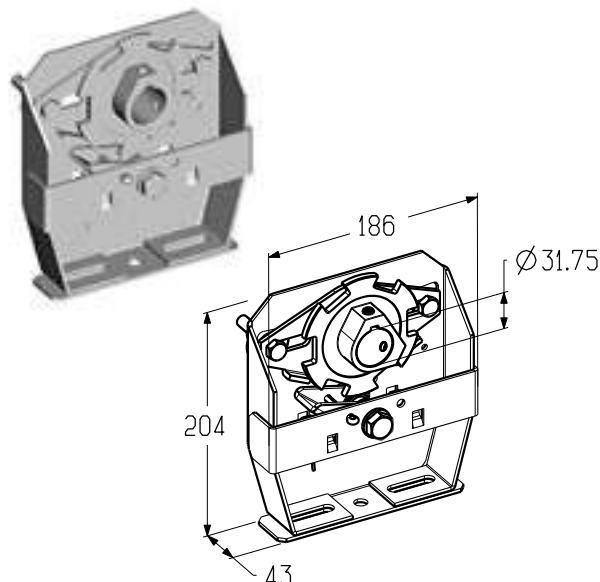


Арт.	Код	Примечание	Применение	Розничная цена, евро с НДС
SBD-1L	403730400	Левая	Устанавливается совместно с пружинами с внутренним диаметром 51, 67, 95, 152 мм	40,00
SBD-1R	403730500	Правая		40,00

Муфта предохранительная храповая

Предназначена для блокировки вала при поломке пружины.
Используется в промышленных воротах всех типов монтажа с одновальной и двухвальной системой балансировки.
Устанавливается совместно с пружинами с внутренним диаметром 95, 152 мм.

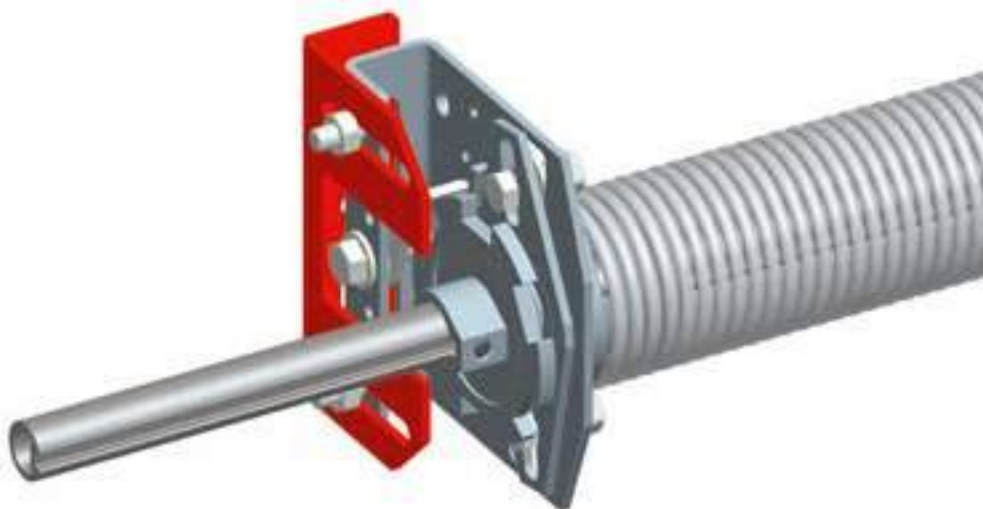
Материал оцинкованная сталь
Диаметр вала, мм 31,75
Единица измерения шт.
Вес, кг/шт. 2,50
Норма поставки, шт. 20



Арт.	Код	Примечание	Розничная цена, евро с НДС
SBD-TSS5/4L	403730800	Левый	84,00
SBD-TSS5/4R	403730900	Правый	84,00

МУФТЫ ПРЕДОХРАНИТЕЛЬНЫЕ ХРАПОВЫЕ

УСТАНОВКА КРОНШТЕЙНА



Кронштейн

Предназначен для крепления муфты предохранительной храповой (SBD-1L /R) к стене.

Используется:

- в гаражных воротах высокого типа монтажа;
- в промышленных воротах всех типов монтажа с одновальными системой балансировки.

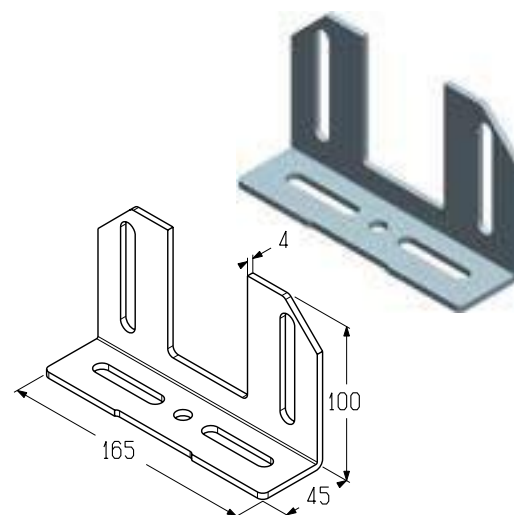
Материалоцинкованная сталь

Вес, кг/шт. 0,46

Единица измерения шт.

Норма поставки, шт. 40

Арт.	Код	Применение	Розничная цена, евро с НДС
B-86	403420000	При расстоянии от стены до оси вала более 86 мм	8,50



УСТАНОВКА КРОНШТЕЙНОВ



Кронштейн

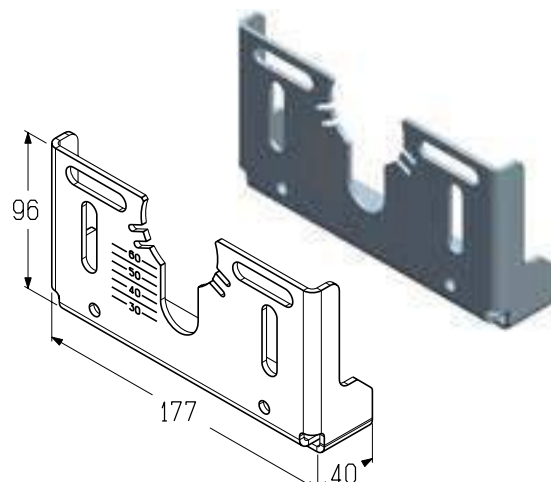
Предназначен для крепления муфты предохранительной храповой (SBD-1L/R) к стене.

Устанавливается совместно с кронштейном (B-152A).

Используется в промышленных воротах всех типов монтажа с одновальным системой балансировки.

Материал оцинкованная сталь
 Вес, кг/шт. 0,55
 Единица измерения шт.
 Норма поставки, шт. 25

Арт.	Код	Применение	Розничная цена, евро с НДС
B-152	403420100	При расстоянии от стены до оси вала 86—152 мм и массе полотна свыше 250 кг	12,00



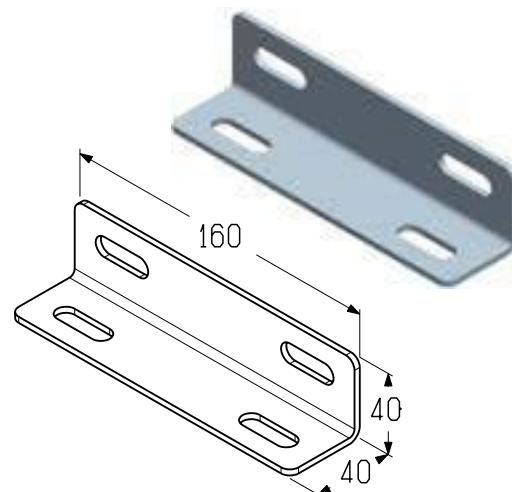
Кронштейн

Применяется совместно с кронштейном (B-152).

Используется в промышленных воротах всех типов монтажа с одновальным системой балансировки.

Материал оцинкованная сталь
 Вес, кг/шт. 0,25
 Единица измерения шт.
 Норма поставки, шт. 25

Арт.	Код	Применение	Розничная цена, евро с НДС
B-152A	403420200	При расстоянии от стены до оси вала 152 мм	4,50



БАРАБАНЫ

Барабан

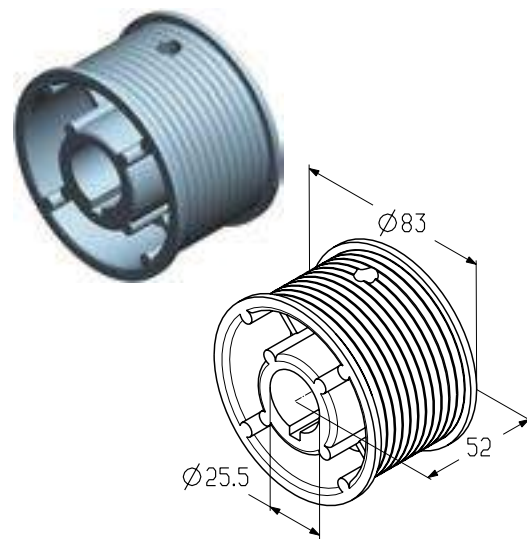
Предназначен для намотки троса \varnothing 3 мм.

Используется:

- в гаражных воротах стандартных и низких типов монтажа;
- в промышленных воротах стандартных, низких, наклонных низких и наклонных типов монтажа с одновальным системой балансировки.

Диаметр вала, мм	25,4
Мах высота ворот, мм	3000
Мах масса полотна ворот, кг	320
Материал	алюминий
Вес, кг/пара	0,8
Единица измерения	пара
Норма поставки, пара	25

Арт.	Код	Розничная цена, евро с НДС
CD010N	403020000	22,00



Барабан

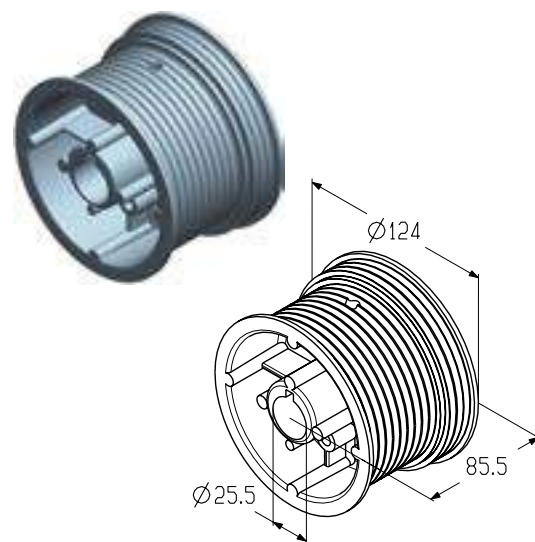
Предназначен для намотки троса \varnothing 3, 4, 5 мм.

Используется:

- в гаражных воротах стандартных и низких типов монтажа;
- в промышленных воротах стандартных, низких, наклонных низких и наклонных типов монтажа с одновальным системой балансировки.

Диаметр вала, мм	25,4
Мах высота ворот, мм	3680
Мах масса полотна ворот, кг	500
Материал	алюминий
Вес, кг/пара	1,1
Единица измерения	пара
Норма поставки, пара	20

Арт.	Код	Розничная цена, евро с НДС
CD012N	403020100	24,00



Барабан

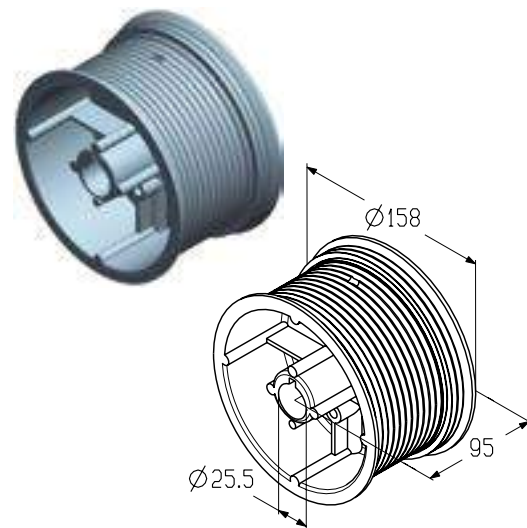
Предназначен для намотки троса \varnothing 3, 4, 5 мм.

Используется:

- в гаражных воротах стандартных и низких типов монтажа;
- в промышленных воротах стандартных, низких, наклонных низких и наклонных типов монтажа с одновальным системой балансировки.

Диаметр вала, мм	25,4
Мах высота ворот, мм	5570
Мах масса полотна ворот, кг	500
Материал	алюминий
Вес, кг/пара	1,6
Единица измерения	пара
Норма поставки, пара	15

Арт.	Код	Розничная цена, евро с НДС
CD018N	403020200	44,00



Барабан

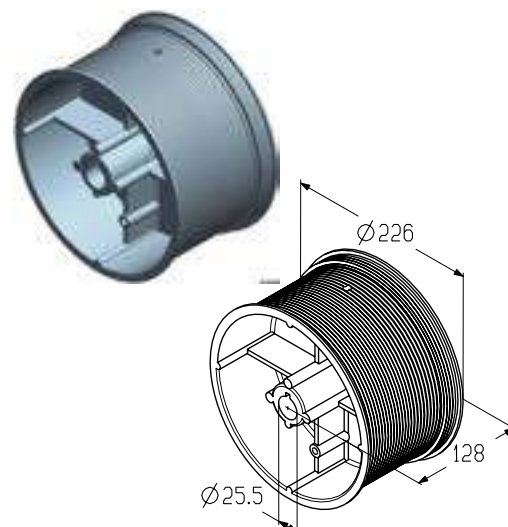
Предназначен для крепления троса Ø 3, 4, 5, 6 мм.

Используется:

- в гаражных воротах стандартных и низких типов монтажа;
- в промышленных воротах стандартных, низких, наклонных низких и наклонных типов монтажа с одновальным системой балансировки.

Диаметр вала, мм	25,4
Мах высота ворот, мм	10175
Мах масса полотна ворот, кг	700
Материал	алюминий
Вес, кг/пара	5,1
Единица измерения	пара
Норма поставки, пара	4

Арт.	Код	Розничная цена, евро с НДС
CD032N	403020300	223,00



Барабан

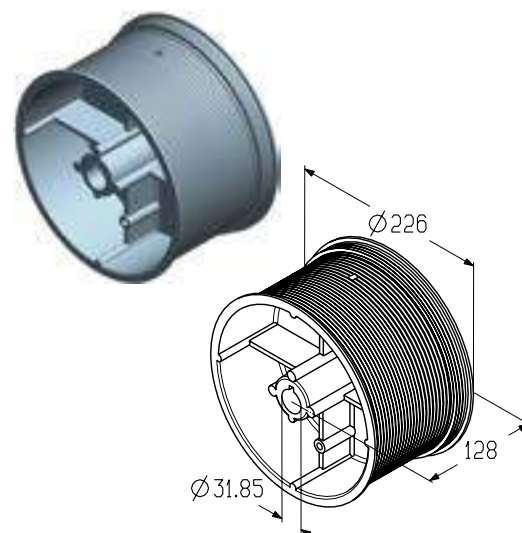
Предназначен для крепления троса Ø 3, 4, 5, 6 мм.

Используется:

- в гаражных воротах стандартных и низких типов монтажа;
- в промышленных воротах стандартных, низких, наклонных низких и наклонных типов монтажа с одновальным и двухвальным системой балансировки.

Диаметр вала, мм	31,75
Мах высота ворот, мм	10175
Мах масса полотна ворот, кг	700
Материал	алюминий
Вес, кг/пара	5,1
Единица измерения	пара
Норма поставки, пара	2

Арт.	Код	Розничная цена, евро с НДС
CD032N-5/4	403030000	223,00



Барабан

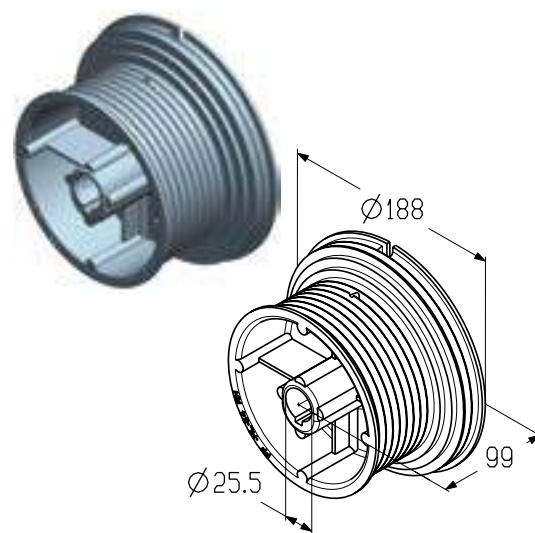
Предназначен для крепления троса Ø 3, 4, 5 мм.

Используется:

- в гаражных воротах высокого типа монтажа;
- в промышленных воротах высоких и высоких наклонных типов монтажа с одновальным системой балансировки.

Диаметр вала, мм	25,4
Мах высота ворот, мм	4800
Мах масса полотна ворот, кг	500
Мах НL*, мм	1370
Материал	алюминий
Вес, кг/пара	2,1
Единица измерения	пара
Норма поставки, пара	6

Арт.	Код	Розничная цена, евро с НДС
CD054H	403020400	60,00



* Максимальное расстояние от нижнего края перемычки до нижнего края горизонтальных направляющих.

БАРАБАНЫ

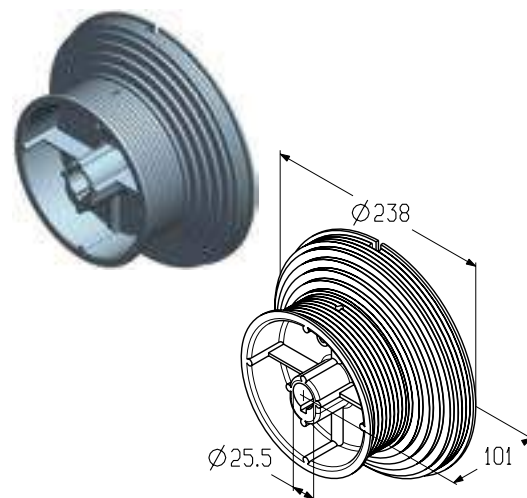
Барабан

Предназначен для крепления троса Ø 3, 4, 5 мм.
Используется в промышленных воротах высоких и высоких наклонных типов монтажа с одновальной системой балансировки.

Диаметр вала, мм	25,4
Мах высота ворот, мм	5050
Мах масса полотна ворот, кг	500
Мах HL*, мм	3050
Материал	алюминий
Вес, кг/пара	2,9
Единица измерения	пара
Норма поставки, пара	5

Арт.	Код	Розничная цена, евро с НДС
CD120H	403020500	85,00

* Максимальное расстояние от нижнего края перемычки до нижнего края горизонтальных направляющих.



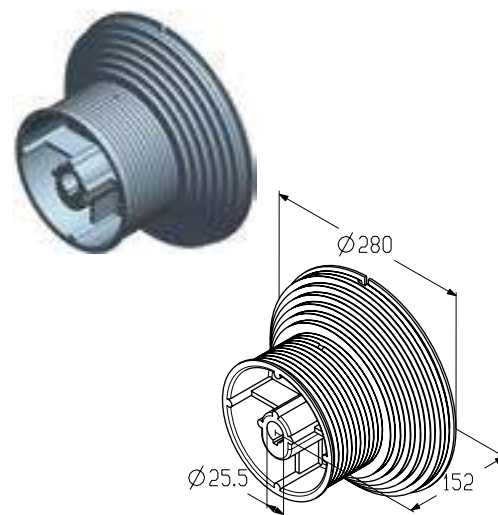
Барабан

Предназначен для крепления троса Ø 3, 4, 5, 6 мм.
Используется в промышленных воротах высоких и высоких наклонных типов монтажа с одновальной системой балансировки.

Диаметр вала, мм	25,4
Мах высота ворот, мм	6000
Мах масса полотна ворот, кг	650
Мах HL*, мм	4100
Материал	алюминий
Вес, кг/пара	6,5
Единица измерения	пара
Норма поставки, пара	3

Арт.	Код	Розничная цена, евро с НДС
CD164H	403020600	266,00

* Максимальное расстояние от нижнего края перемычки до нижнего края горизонтальных направляющих.



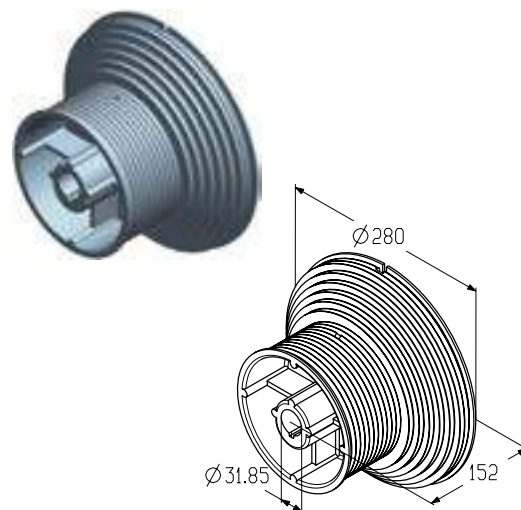
Барабан

Предназначен для крепления троса Ø 3, 4, 5, 6 мм.
Используется в промышленных воротах высоких и высоких наклонных типов монтажа с одновальной и двухвальной системами балансировки.

Диаметр вала, мм	31,75
Мах высота ворот, мм	6000
Мах масса полотна ворот, кг	650
Мах HL*, мм	4100
Материал	алюминий
Вес, кг/пара	6,5
Единица измерения	пара
Норма поставки, пара	2

Арт.	Код	Розничная цена, евро с НДС
CD164H-5/4	403030100	266,00

* Максимальное расстояние от нижнего края перемычки до нижнего края горизонтальных направляющих.

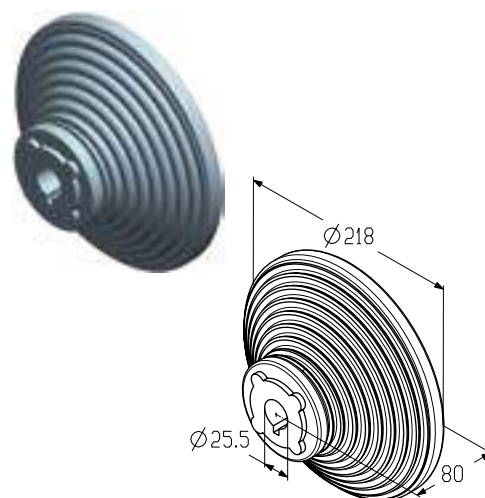


Барaban

Предназначен для крепления троса \varnothing 3, 4, 5 мм.
 Используется в промышленных воротах вертикальных типов монтажа
 с одновальной системой балансировки.

Диаметр вала, мм	25,4
Мах высота ворот, мм	3300
Мах масса полотна ворот, кг	500
Материал	алюминий
Вес, кг/пара	1,9
Единица измерения	пара
Норма поставки, пара	9

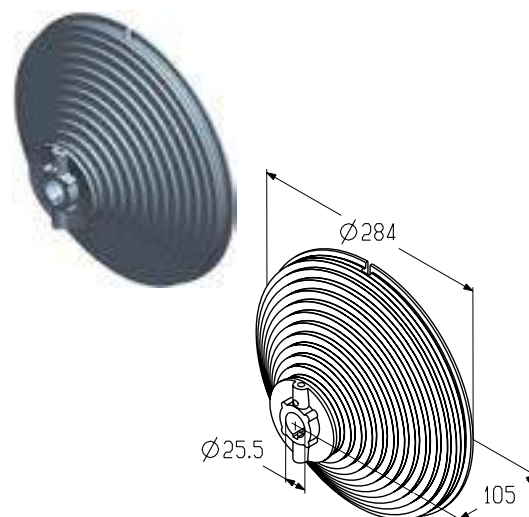
Арт.	Код	Розничная цена, евро с НДС
CD011V	403020700	60,00


Барaban

Предназначен для крепления троса \varnothing 3, 4, 5 мм.
 Используется в промышленных воротах вертикальных типов монтажа
 с одновальной системой балансировки.

Диаметр вала, мм	25,4
Мах высота ворот, мм	6000
Мах масса полотна ворот, кг	600
Материал	алюминий
Вес, кг/пара	4
Единица измерения	пара
Норма поставки, пара	5

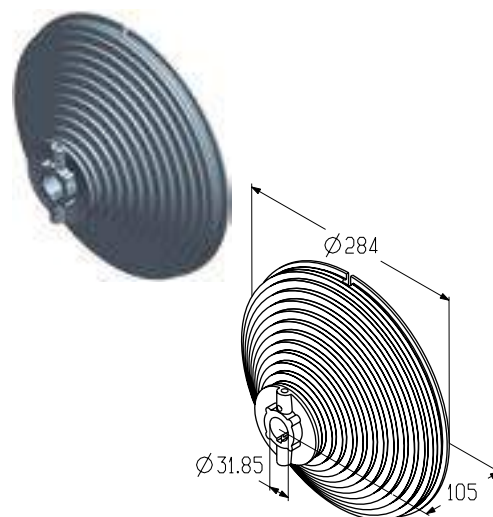
Арт.	Код	Розничная цена, евро с НДС
CD018V	403020800	120,00


Барaban

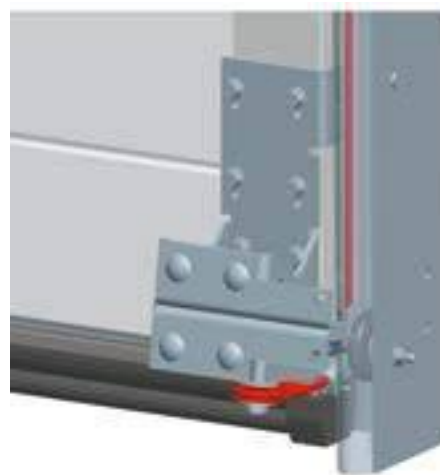
Предназначен для крепления троса \varnothing 3, 4, 5 мм.
 Используется в промышленных воротах вертикальных типов монтажа
 с одновальной и двухвальной системой балансировки.

Диаметр вала, мм	31,75
Мах высота ворот, мм	6000
Мах масса полотна ворот, кг	600
Материал	алюминий
Вес, кг/пара	4
Единица измерения	пара
Норма поставки, пара	4

Арт.	Код	Розничная цена, евро с НДС
CD018V-5/4	403030200	120,00



УСТАНОВКА ТРОСА

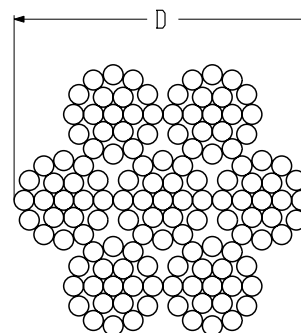


Трос

Предназначен для подъема полотна ворот.

Материал оцинкованная сталь
Единица измерения м
Норма поставки, м 250

Арт.	Код	Диаметр троса, мм	Вес, кг/м	Для ворот с массой полотна	Розничная цена, евро с НДС
CR-3-250	403930000	3	0,032	до 135 кг	0,70
CR-4-250	403930100	4	0,064	от 135 до 200 кг	2,30
CR-5-250	403930200	5	0,09	от 200 до 450 кг	3,00
CR-6-250	403930300	6	0,14	от 450 кг	3,80



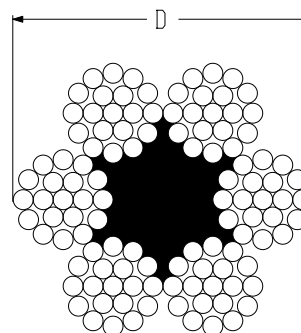
Трос

Предназначен для подъема полотна ворот.

Применяется в гаражных и промышленных воротах низких типов монтажа.

Материал оцинкованная сталь+PVC
Единица измерения м
Норма поставки, м 250

Арт.	Код	Диаметр троса, мм	Вес, кг/м	Для ворот с массой полотна	Розничная цена, евро с НДС
CR-3-250-P	403930800	3	0,055	до 135 кг	1,30
CR-4-250-P	403930900	4	0,086	от 135 до 200 кг	1,50
CR-5-250-P	403931000	5	0,125	от 200 до 450 кг	2,00
CR-6-250-P	403931100	6	0,177	от 450 кг	2,40

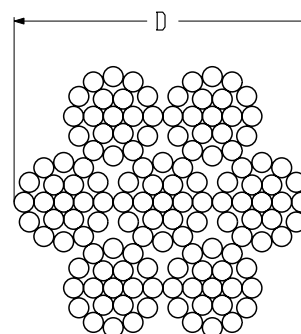


Трос

Предназначен для подъема полотна ворот.

Материал нержавеющая сталь
Единица измерения м
Норма поставки, м 250

Арт.	Код	Диаметр троса, мм	Вес, кг/м	Для ворот с массой полотна	Розничная цена, евро с НДС
CR-3-250-SS	403930400	3	0,036	до 135 кг	4,30
CR-4-250-SS	403930500	4	0,062	от 135 до 200 кг	7,20
CR-5-250-SS	403930600	5	0,102	от 200 до 450 кг	9,40
CR-6-250-SS	403930700	6	0,154	от 450 кг	16,80



ТРОСЫ, КОУШИ, ЗАЖИМЫ

Коуш

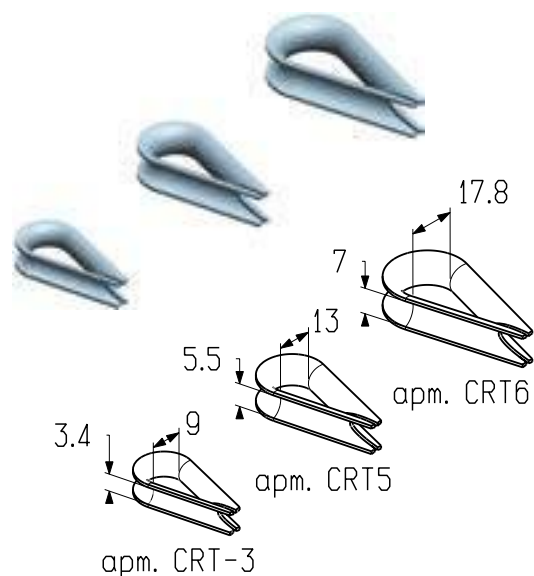
Предназначен для заделки троса.

Материал оцинкованная сталь

Единица измерения шт.

Норма поставки, шт. 1000

Арт.	Код	Диаметр троса, мм	Вес, кг/шт.	Розничная цена, евро с НДС
CRT-3	403950000	3	0,002	0,30
CRT-5	403950100	5 и 4	0,005	0,40
CRT-6	403950200	6	0,008	0,50



3.4

Зажим

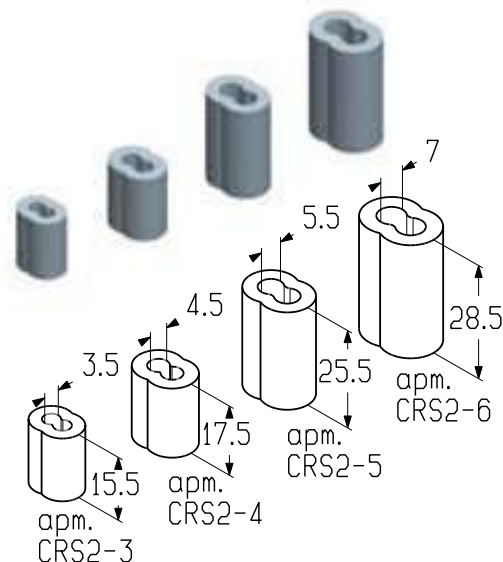
Предназначен для заделки троса.

Материал алюминий

Единица измерения шт.

Норма поставки, шт. 1000

Арт.	Код	Диаметр троса, мм	Вес, кг/шт.	Розничная цена, евро с НДС
CRS2-3	403940000	3	0,003	0,25
CRS2-4	403940100	4	0,004	0,30
CRS2-5	403940200	5	0,007	0,50
CRS2-6	403940300	6	0,011	0,80



Зажим

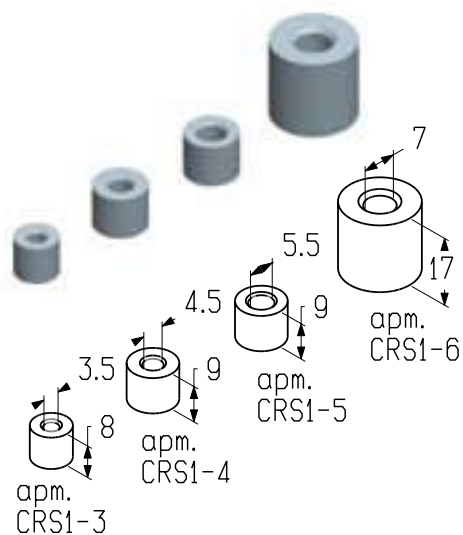
Предназначен для заделки троса.

Материал алюминий

Единица измерения шт.

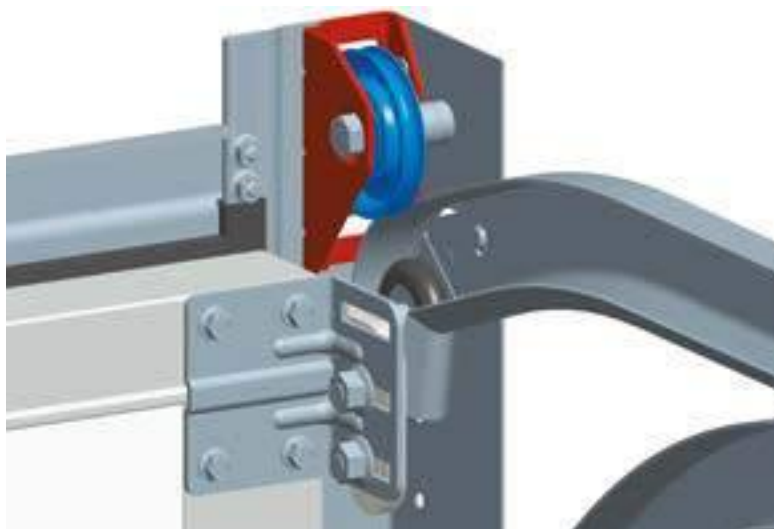
Норма поставки, шт. 1000

Арт.	Код	Диаметр троса, мм	Вес, кг/шт.	Розничная цена, евро с НДС
CRS1-3	403940400	3	0,001	0,20
CRS1-4	403940500	4	0,002	0,30
CRS1-5	403940600	5	0,002	0,30
CRS1-6	403940700	6	0,004	0,80



ШКИВЫ И КРОНШТЕЙНЫ ДЛЯ УСТАНОВКИ ТОРСИОННОГО ВАЛА

УСТАНОВКА ШКИВА



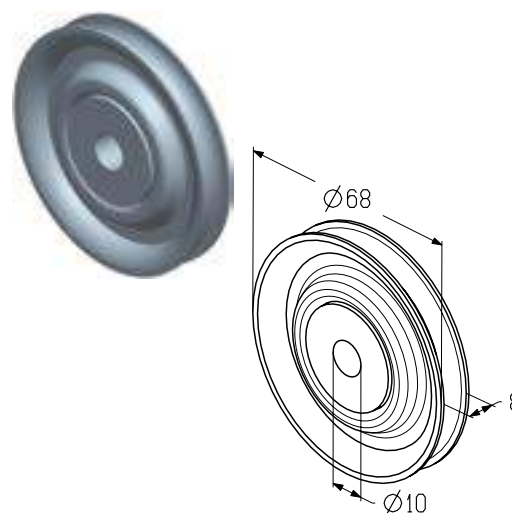
3.4

Шкив

Предназначен для установки троса Ø 3 мм.
Используется в гаражных воротах низкого типа монтажа.

Внешний диаметр, мм68
 Материал.....оцинкованная сталь
 Вес, кг/шт.....0,09
 Единица измеренияшт.
 Норма поставки, шт.....50

Арт.	Код	Розничная цена, евро с НДС
CRP-68	403660000	7,50

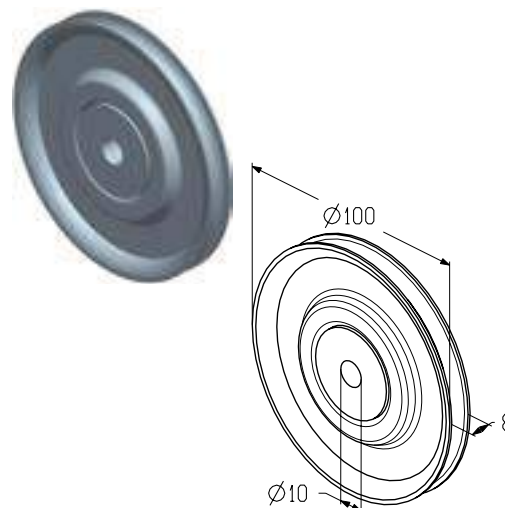


Шкив

Предназначен для установки троса Ø 3, 4, 5 мм.
Используется в промышленных воротах низкого и наклонного низкого типов монтажа с одновальнoй системой балансировки.

Внешний диаметр, мм 100
 Материал.....оцинкованная сталь
 Вес, кг/шт.....0,275
 Единица измеренияшт.
 Норма поставки, шт.....50

Арт.	Код	Розничная цена, евро с НДС
CRP-100	403610000	14,00

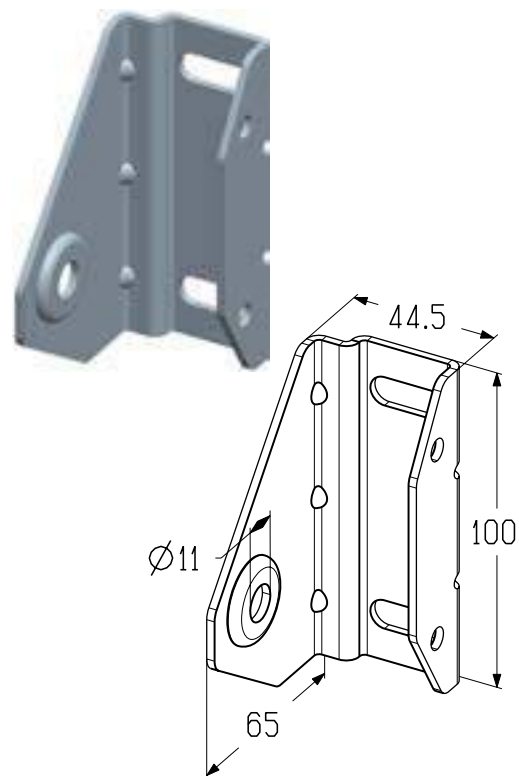


ШКИВЫ И КРОНШТЕЙНЫ ДЛЯ УСТАНОВКИ ТОРСИОННОГО ВАЛА
Кронштейн левый
Кронштейн правый

Предназначен для крепления шкива (CRP-68).
 Используется в гаражных воротах низкого типа монтажа.

Материал оцинкованная сталь
 Вес, кг/шт. 0,182
 Единица измерения шт.
 Норма поставки, шт. 25

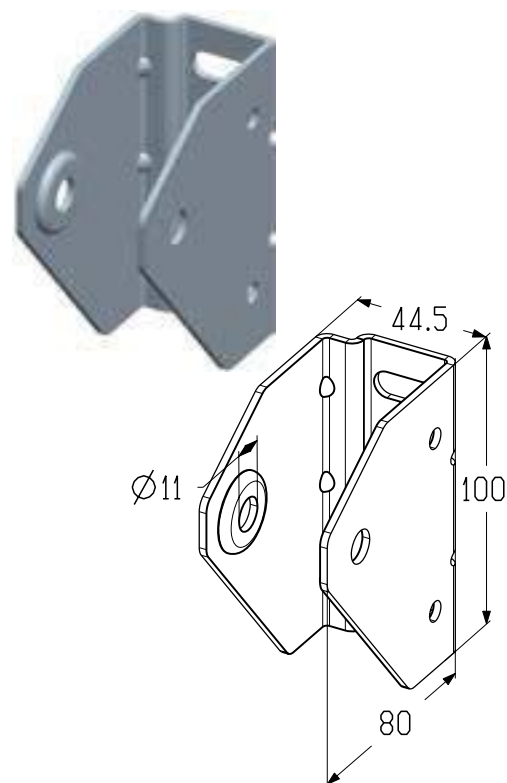
Арт.	Код	Примечание	Розничная цена, евро с НДС
PB-68L	403410000	Левый	4,30
PB-68R	403410100	Правый	4,30


3.4
Кронштейн

Предназначен для крепления шкива (CRP-100).
 Используется в промышленных воротах низкого и наклонного низкого типов монтажа с одновальным системой балансировки.

Материал оцинкованная сталь
 Вес, кг/шт. 0,275
 Единица измерения шт.
 Норма поставки, шт. 25

Арт.	Код	Примечание	Розничная цена, евро с НДС
PB-100L	403410200	Левый	6,70
PB-100R	403410300	Правый	6,70



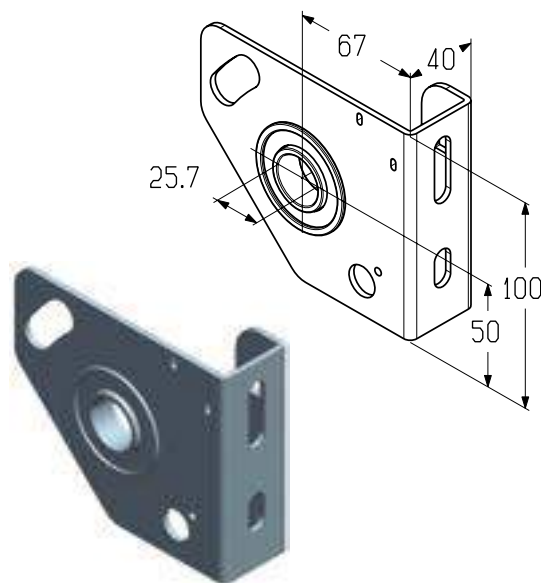
ШКИВЫ И КРОНШТЕЙНЫ ДЛЯ УСТАНОВКИ ТОРСИОННОГО ВАЛА

Кронштейн промежуточный

Предназначен для установки торсионного вала диаметром 25,4 мм.
Используется в гаражных воротах стандартного и низкого типов монтажа.

Материал оцинкованная сталь
Вес, кг/шт. 0,41
Единица измерения шт.
Норма поставки, шт. 70

Арт.	Код	Примечание	Розничная цена, евро с НДС
IB-67L	403430000	Левый	8,00
IB-67R	403430100	Правый	8,00

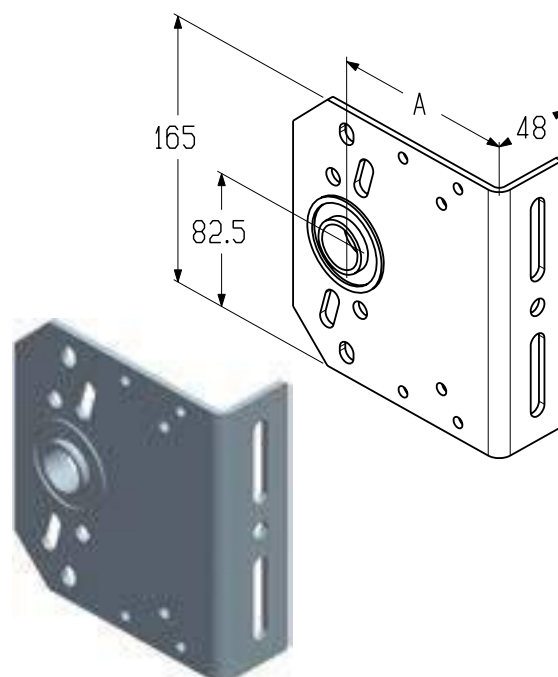


Кронштейн промежуточный

Предназначен для установки торсионного вала.
Используется:

- в гаражных воротах высокого типа монтажа;
- в промышленных воротах всех типов монтажа.

Материал оцинкованная сталь
Единица измерения шт.
Норма поставки, шт. 20



Арт.	Код	Размер (А*), мм	Диаметр вала, мм	Примечание	Вес, кг/шт.	Розничная цена, евро с НДС
IB-86	403430200	86	25.4	Одновальная система балансировки	0,948	9,90
IB-111	403430300	111	25.4		0,782	10,10
IB-127	403430400	127	25.4		0,990	11,80
IB-152	403430500	152	25.4		1,098	13,20
IB-152-5/4	403430600	152	31.75	Двухвальная система балансировки	1,248	27,10

* Расстояние от стены до оси вала.

УСТАНОВКА ПЛАСТИНЫ МОНТАЖНОЙ

3.4

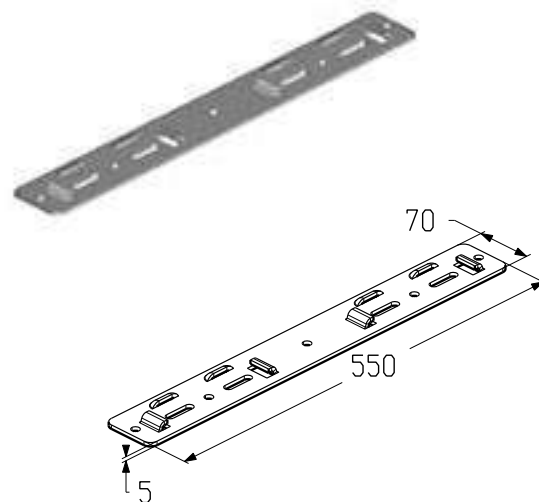


Пластина монтажная

Предназначена для крепления муфты предохранительной храповой (SBD-TSS5/4L/R), кронштейна промежуточного (IB-152-5/4) к стене. Используется в промышленных воротах всех типов монтажа с верхним расположением вала с двухвальной системой балансировки.

Материал оцинкованная сталь
 Вес, кг/шт. 1,44
 Единица измерения шт.
 Норма поставки, шт. 16

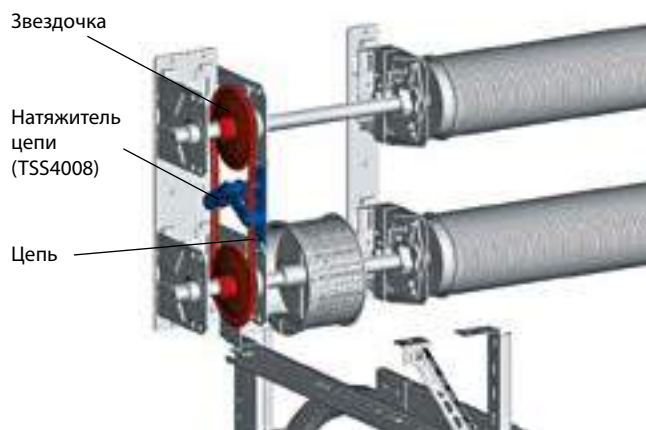
Арт.	Код	Розничная цена, евро с НДС
TSS4004	403901100	26,50



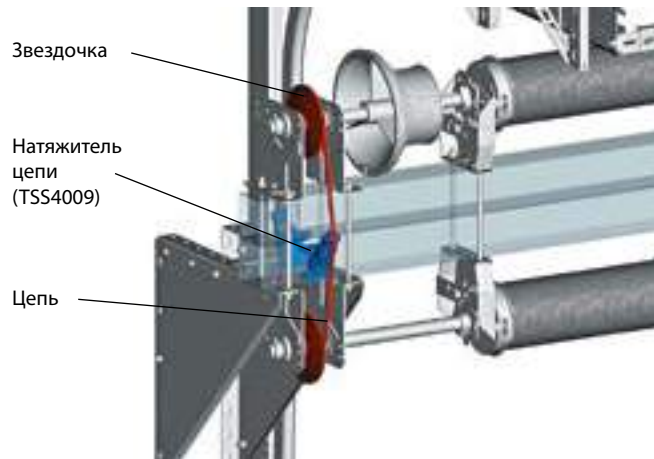
ШКИВЫ И КРОНШТЕЙНЫ ДЛЯ УСТАНОВКИ ТОРСИОННОГО ВАЛА

УСТАНОВКА ЗВЕЗДОЧКИ, ЦЕПИ И НАТЯЖИТЕЛЯ ЦЕПИ

Верхнее расположение вала



Нижнее расположение вала

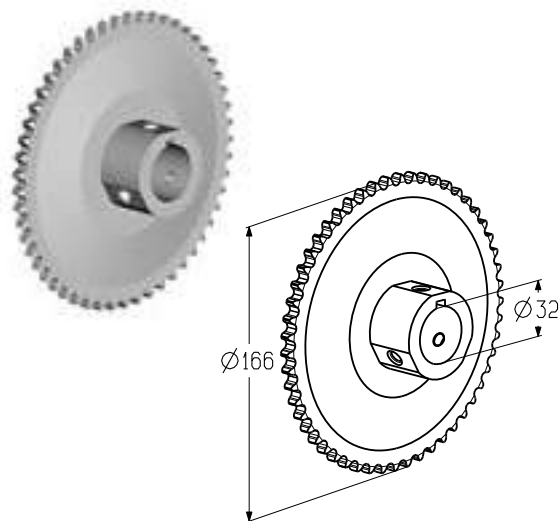


Звездочка

Предназначена для передачи крутящего момента между двумя валами. Используется в промышленных воротах всех типов монтажа с двухвальной системой балансировки.

Материал оксидированная сталь
Вес, кг/шт. 2,1
Единица измерения шт.
Норма поставки, шт. 168

Арт.	Код	Розничная цена, евро с НДС
TSS4005	403901200	67,00



Цепь

Предназначена для передачи крутящего момента между двумя валами. Используется в промышленных воротах всех типов монтажа с двухвальной системой балансировки.

Материал оцинкованная сталь
Единица измерения шт.



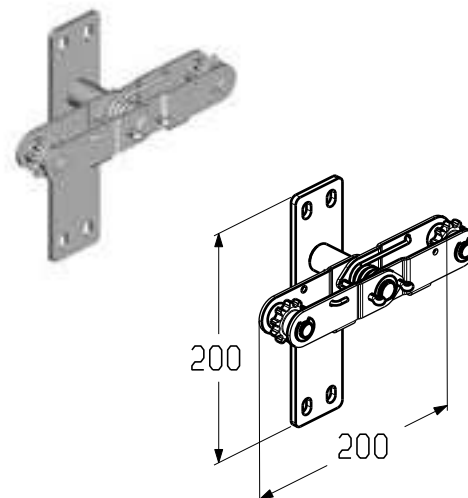
Арт.	Код	Диаметр вала, мм	Примечание	Вес, кг/шт.	Норма поставки, шт.	Розничная цена, евро с НДС
TSS4006	403901300	1133	С верхним расположением вала	0,3	50	27,00
TSS4007	403901400	1514	С нижним расположением вала	0,4	40	36,00

ШКИВЫ И КРОНШТЕЙНЫ ДЛЯ УСТАНОВКИ ТОРСИОННОГО ВАЛА
Натяжитель цепи

Предназначен для натяжения цепи (TSS4006, TSS4007).
 Используется в промышленных воротах стандартного, наклонного, высокого, вертикального, наклонного высокого типов монтажа с верхним расположением вала с двухвальной системой балансировки.

Вес, кг/шт. 1,05
 Единица измерения шт.
 Норма поставки, шт. 21

Арт.	Код	Розничная цена, евро с НДС
TSS4008	403901500	42,00



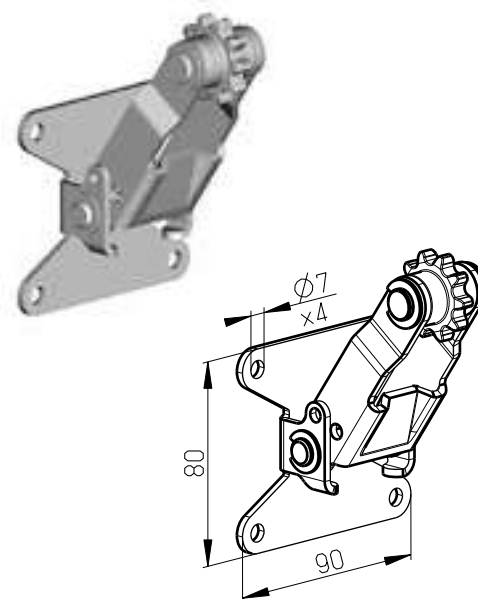
3.4

Натяжитель цепи

Предназначен для натяжения цепи (TSS4006, TSS4007).
 Используется в промышленных воротах высокого, наклонного высокого и вертикального типов монтажа с низким расположением вала с двухвальной системой балансировки.

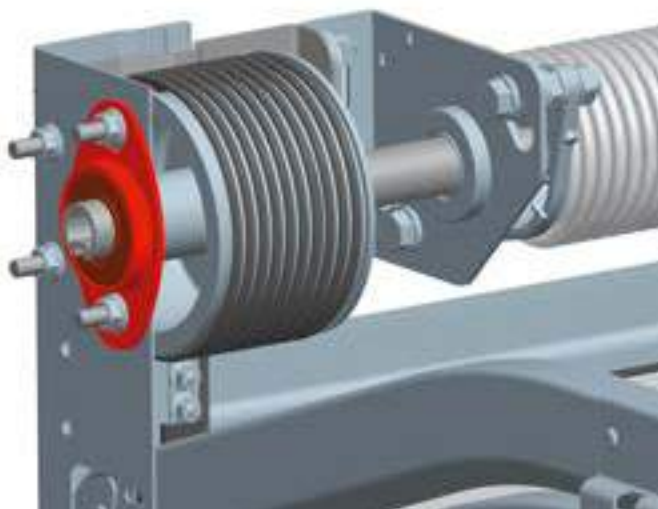
Вес, кг/шт. 0,39
 Единица измерения шт.
 Норма поставки, шт. 56

Арт.	Код	Розничная цена, евро с НДС
TSS4009	403901600	21,00



ШКИВЫ И КРОНШТЕЙНЫ ДЛЯ УСТАНОВКИ ТОРСИОННОГО ВАЛА

УСТАНОВКА ПОДШИПНИКА

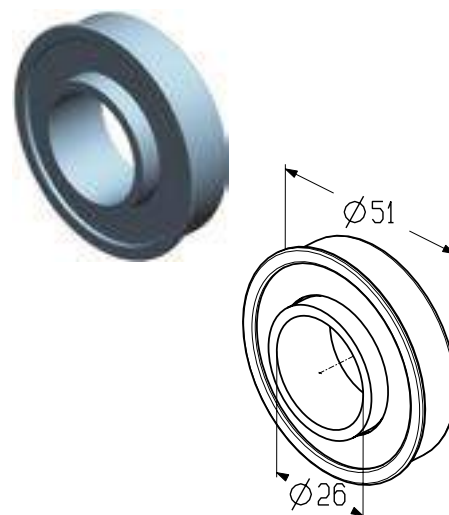


Подшипник

Предназначен для установки совместно с корпусом подшипника (BR0400).
Используется в гаражных воротах стандартного типа монтажа.

Вес, кг/шт.0,112
Единица измеренияшт.
Норма поставки, шт. 200

Арт.	Код	Розничная цена, евро с НДС
BB0401	403910000	3,00



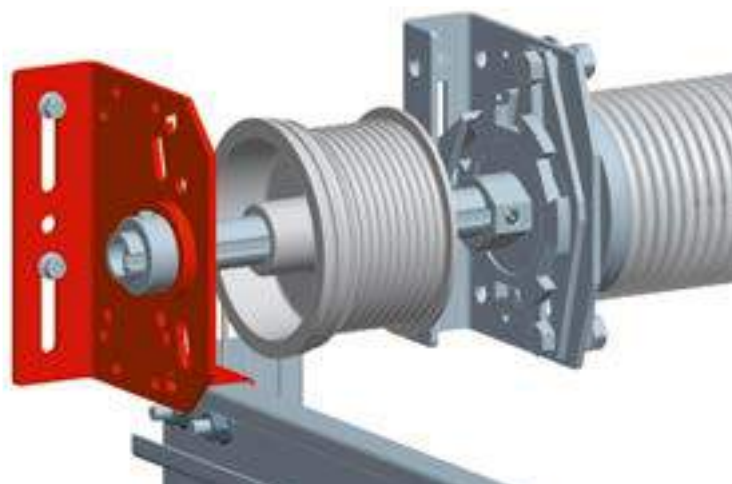
Корпус подшипника

Предназначен для установки совместно с подшипником (BB0401).
Используется в гаражных воротах стандартного типа монтажа.

Материалоцинкованная сталь
Вес, кг/шт.0,118
Единица измеренияшт.
Норма поставки, шт. 200

Арт.	Код	Розничная цена, евро с НДС
BR0400	403920000	2,60



ШКИВЫ И КРОНШТЕЙНЫ ДЛЯ УСТАНОВКИ ТОРСИОННОГО ВАЛА
УСТАНОВКА КРОНШТЕЙНА БОКОВОГО


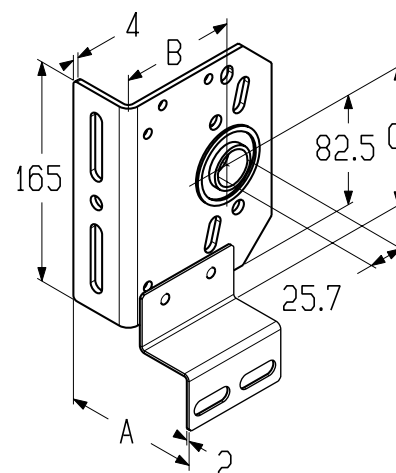
3.4

Кронштейн боковой левый
Кронштейн боковой правый

Предназначен для крепления торсионного вала к проему и профилю угловому.

Применяется для промышленных ворот с одновальным системой балансировки.

Диаметр вала, мм.....25,4
 Материал.....оцинкованная сталь
 Единица измерения шт.
 Норма поставки, шт. 15

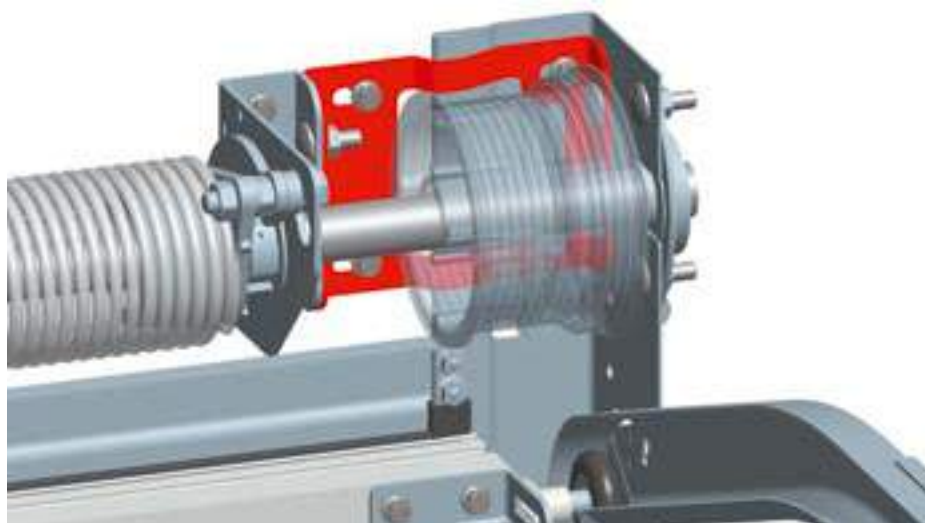


Арт.	Код	Основные размеры, мм			Диаметр вала, мм	Вес, кг/шт.	Розничная цена, евро с НДС	Примечание
		А	В*	С				
TBI510L	403420300	91	86	72,5	25,4	0,963	11,00	Для промышленных ворот стандартного и наклонного типов монтажа.
TBI510R	403420400							
TBI520L	403420500	91	111	72,5	25,4	1,082	11,00	
TBI520R	403420600							
TBI530L	403420700	91	111	82,5	25,4	1,082	11,00	
TBI530R	403420800							
TBI560L	403420900	91	127	142,5	25,4	1,242	12,00	
TBI560R	403421000							
TBI580L	403422300	91	127	142,5	31,75	1,380	26,00	
TBI580R	403422400							
TBI540L	403421100	91	111	105,5	25,4	1,080	11,00	- для гаражных ворот высокого типа монтажа; - для промышленных ворот стандартного, наклонного типов монтажа, наклонного высокого с верхним расположением вала, высокого с верхним расположением вала типов монтажа
TBI540R	403421200							
TBI550L	403421300	111	127	124,5	25,4	1,230	12,00	- для гаражных ворот высокого типа монтажа; - для промышленных ворот высокого, наклонного высокого, вертикального типов монтажа с верхним расположением вала
TBI550R	403421400							
TBI570L	403421500	126	152	144,5	25,4	1,410	13,30	для промышленных ворот высокого, наклонного высокого, вертикального типов монтажа с верхним расположением вала.
TBI570R	403421600							
TBI590L	403422500	126	152	144,5	31,75	1,420	24,50	
TBI590R	403422600							

* Расстояние от стены до оси вала.

ШКИВЫ И КРОНШТЕЙНЫ ДЛЯ УСТАНОВКИ ТОРСИОННОГО ВАЛА

УСТАНОВКА КРОНШТЕЙНА

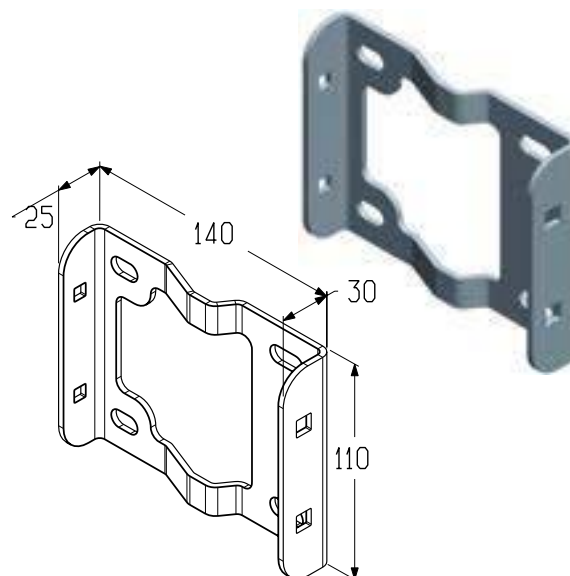


Кронштейн

Предназначен для соединения предохранительной храповой муфты (SBD-51L/R, SBD-67L/R) и профиля углового (PRG02NL/R).
Используется в гаражных воротах стандартного типа монтажа.

Материал оцинкованная сталь
Вес, кг/шт. 0,36
Единица измерения шт.
Норма поставки, шт. 90

Арт.	Код	Розничная цена, евро с НДС
TBG815	403430700	6,60



УСТАНОВКА КРОНШТЕЙНА

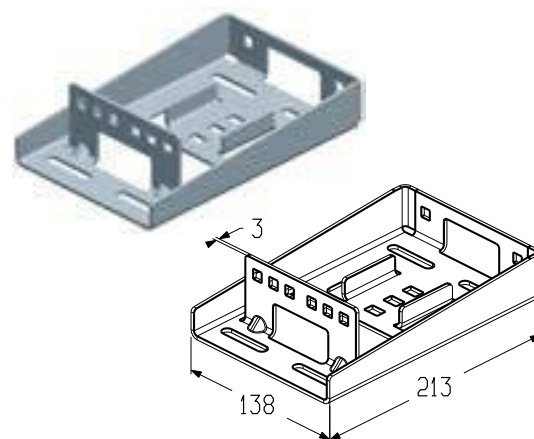


Кронштейн

Предназначен для крепления горизонтальных направляющих с мерной планкой и для крепления торсионного вала. Используется в промышленных и воротах низкого и наклонного низкого типов монтажа с одновальным системой балансировки.

Материал оцинкованная сталь
 Вес, кг/шт. 1,00
 Единица измерения шт.
 Норма поставки, шт. 18

Арт.	Код	Розничная цена, евро с НДС
ТВ1915	403422700	12,00

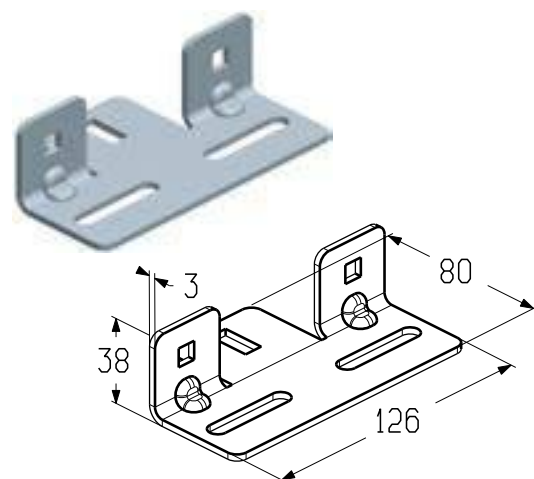


Кронштейн

Предназначен для крепления бокового кронштейна и телескопического подвеса к мерной планке. Используется в промышленных и воротах низкого и наклонного низкого типов монтажа с одновальным системой балансировки.

Материал оцинкованная сталь
 Вес, кг/шт. 0,2
 Единица измерения шт.
 Норма поставки, шт. 120

Арт.	Код	Розничная цена, евро с НДС
ТВ1925	403422800	2,50



ШКИВЫ И КРОНШТЕЙНЫ ДЛЯ УСТАНОВКИ ТОРСИОННОГО ВАЛА

УСТАНОВКА КРОНШТЕЙНА И ПЛАСТИНЫ

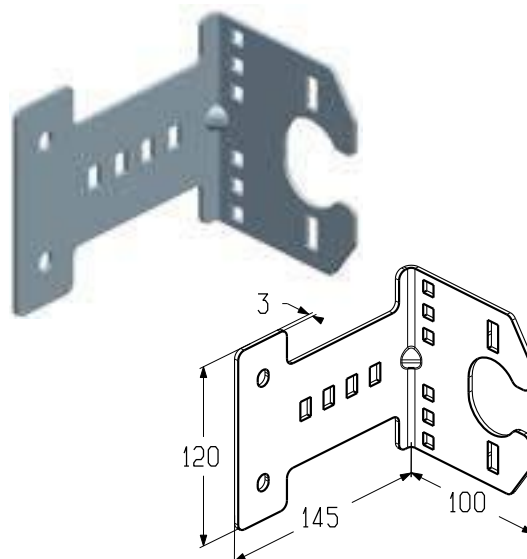


Кронштейн

Предназначен для крепления торсионного вала к мерной планке.
Используется в гаражных воротах низкого типа монтажа.

Материал оцинкованная сталь
Вес, кг/шт.0,461
Единица измеренияшт.
Норма поставки, шт.39

Арт.	Код	Розничная цена, евро с НДС
TBG916	403490000	8,00

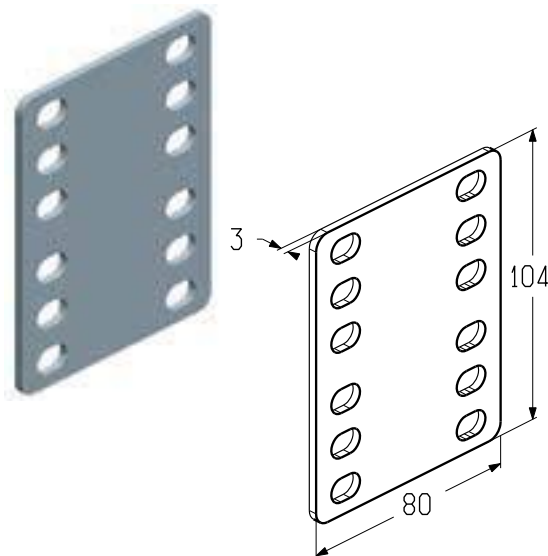


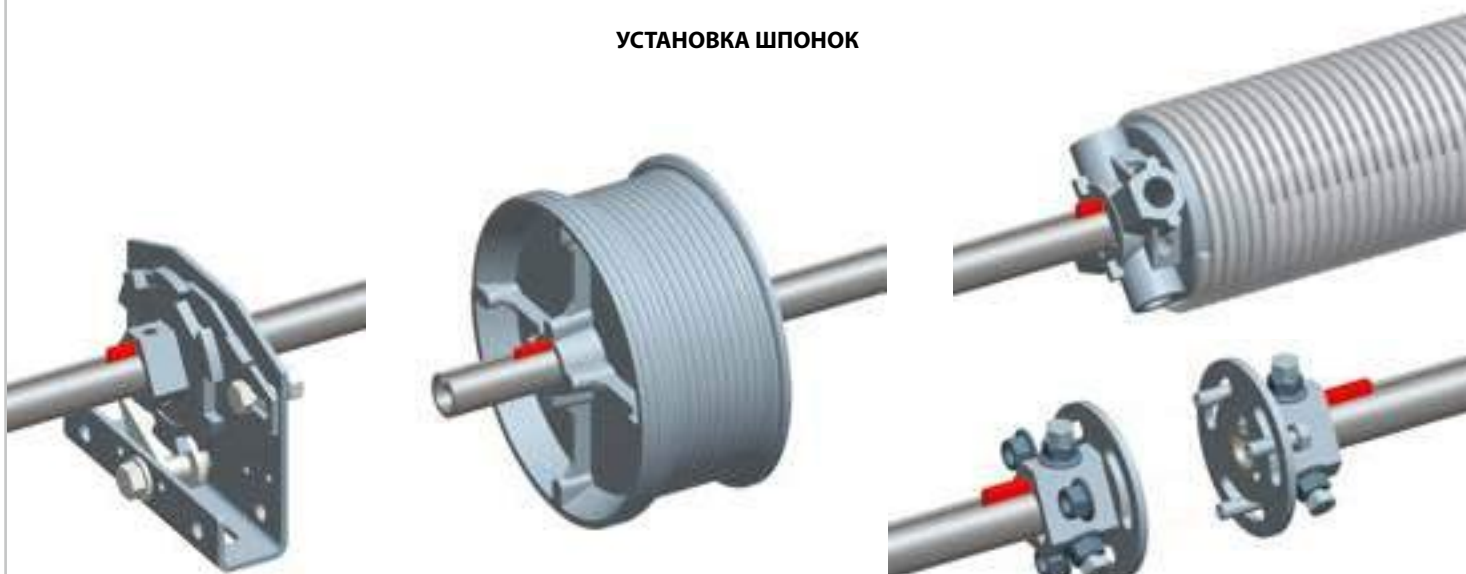
Пластина

Предназначена для крепления кронштейна TBG916 к горизонтальной направляющей.
Используется в гаражных воротах низкого типа монтажа.

Материал оцинкованная сталь
Вес, кг/шт.0,182
Единица измеренияшт.
Норма поставки, шт.100

Арт.	Код	Розничная цена, евро с НДС
MS917	403490100	3,10

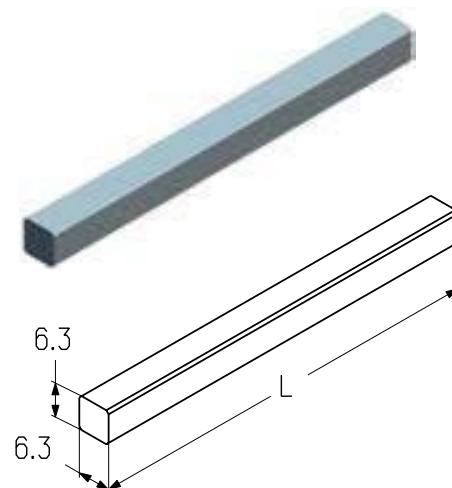


УСТАНОВКА ШПОНОК

Шпонка

Предназначена для установки на вал сплошной (TSS, TSS-5/4).

Материал оцинкованная сталь
 Единица измеренияшт.

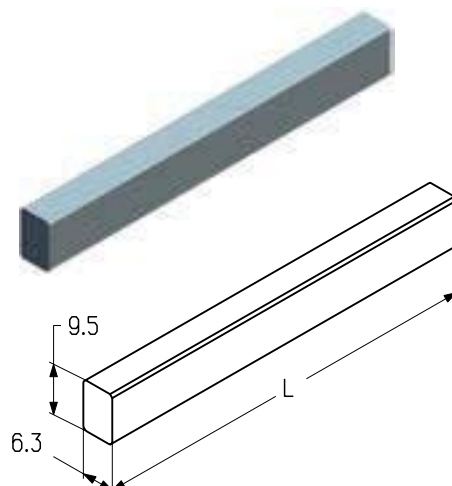
Арт.	Код	Длина, мм	Вес, кг/шт.	Применение	Норма поставки, шт.	Розничная цена, евро с НДС
SKS-38	403970000	38	0,015	Устанавливается в храповую и соединительную муфты	1000	0,60
SKS-75	403970100	75	0,026	Устанавливается в барабан и наконечник пружинный (SF-95, SP-152, SP-152-5/4)	800	0,60


Шпонка

Предназначена для установки на вал пустотелый (TSH).

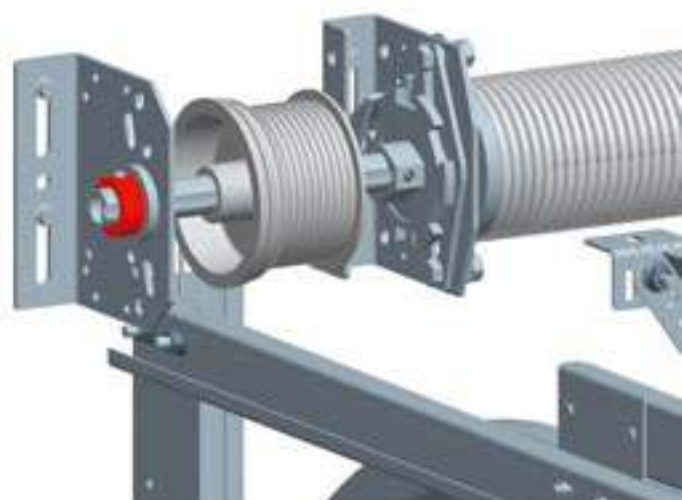
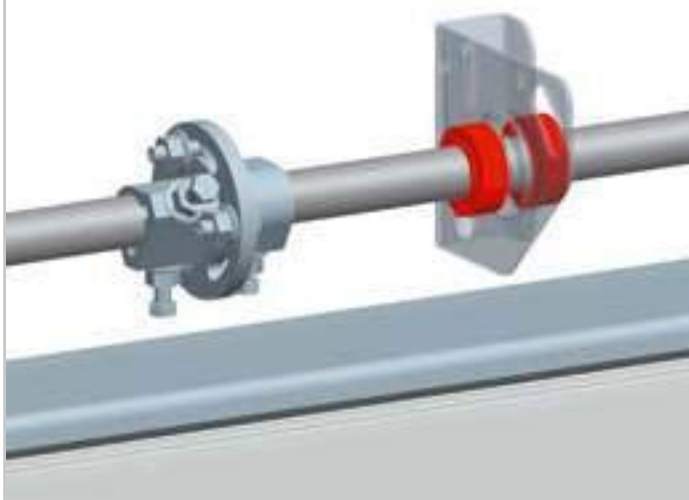
Материал оцинкованная сталь
 Единица измеренияшт.

Арт.	Код	Длина, мм	Вес, кг/шт.	Применение	Норма поставки, шт.	Розничная цена, евро с НДС
SKH-38	403970200	38	0,18	Устанавливается в храповую и соединительную муфты	1200	1,10
SKH-75	403970300	75	0,21	Устанавливается в барабан и наконечник пружинный (SF-95, SP-152, SP-152-5/4)	600	1,10



ШПОНКИ И КОЛЬЦА СТОПОРНЫЕ

УСТАНОВКА КОЛЕЦ

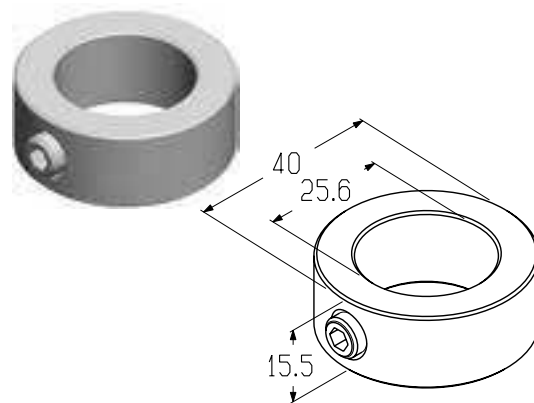


Кольцо

Предназначено для установки на вал диаметром 25,4 мм промышленных ворот всех типов монтажа с одновальными системами балансировки. Предотвращает осевое смещение вала.

Материал оцинкованная сталь
Вес, кг/шт. 0,1
Единица измерения шт.
Норма поставки, шт. 200

Арт.	Код	Розничная цена, евро с НДС
SCI-1	403960000	2,50

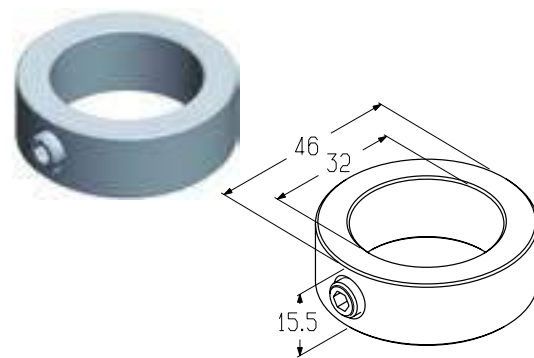


Кольцо

Предназначено для установки на вал диаметром 31,75 мм промышленных ворот всех типов монтажа с одновальными и двухвальными системами балансировки. Предотвращает осевое смещение вала.

Материал оцинкованная сталь
Вес, кг/шт. 0,15
Единица измерения шт.
Норма поставки, шт. 100

Арт.	Код	Розничная цена, евро с НДС
SCI-5/4	403960100	3,30

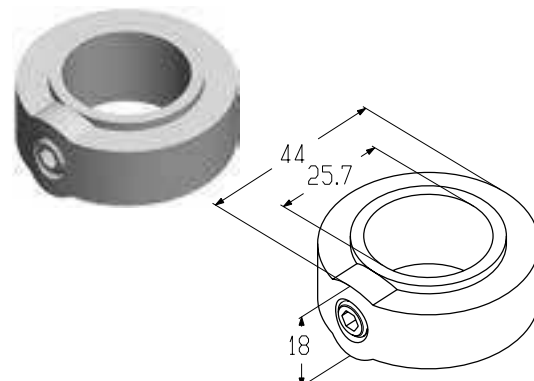


Кольцо

Предназначено для установки на вал диаметром 25,4 мм гаражных ворот всех типов монтажа. Предотвращает осевое смещение вала.

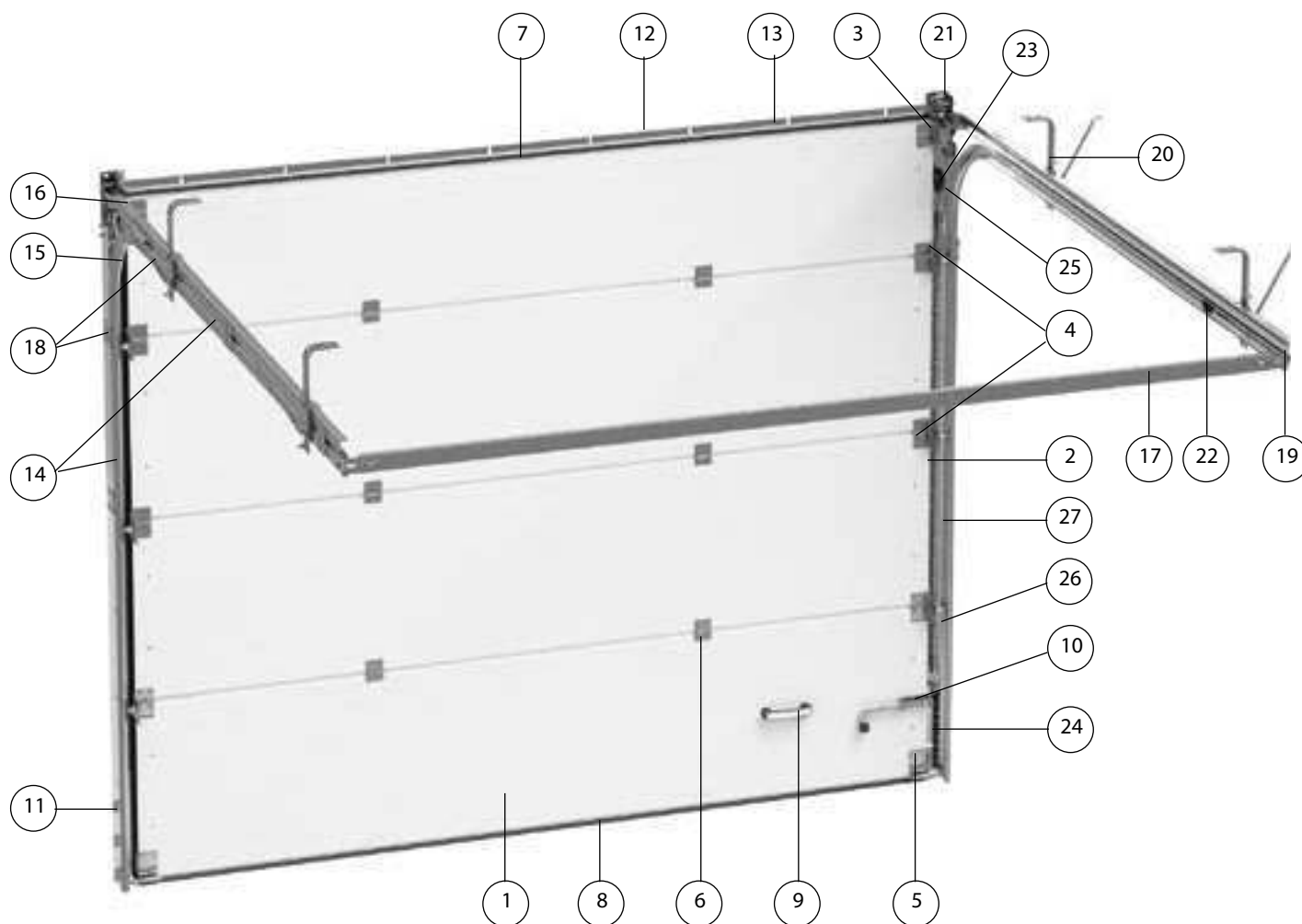
Материал нейлон
Вес, кг/шт. 0,1
Единица измерения шт.
Норма поставки, шт. 200

Арт.	Код	Розничная цена, евро с НДС
SCG-1	403960200	1,50





**СЕКЦИОННЫЕ ГАРАЖНЫЕ ВОРОТА
СЕРИИ CLASSIC
С ПРУЖИНАМИ РАСТЯЖЕНИЯ**

КОНСТРУКЦИЯ СЕКЦИОННЫХ ГАРАЖНЫХ ВОРОТ СЕРИИ CLASSIC

4

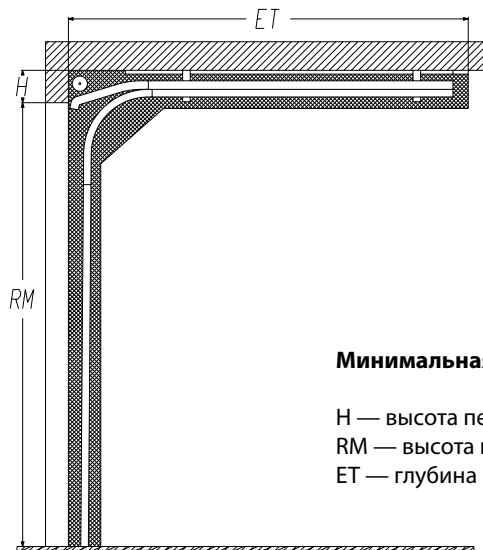
Секционные ворота АЛЮТЕХ соответствуют требованиям Европейских стандартов безопасности EN 12604 и EN 12453.

№	Наименование
Полотно ворот	
1	Сэндвич-панель
2	Накладка боковая
3	Кронштейн верхний
4	Кронштейн боковой
5	Кронштейн нижний
6	Петля промежуточная
7	Профиль концевой (верхний)
8	Вставка уплотнительная (нижняя)
9	Ручка
10	Засов
Системы направляющих и подвеса	
11	Профиль угловой
12	Профиль передний (нащельник)
13	Вставка уплотнительная

№	Наименование
14	Профиль направляющий
15	Элемент радиусный
16	Узел направляющий передний
17	C-профиль
18	Пластины соединительные
19	Кронштейн мерной планки
20	Телескопический подвес
21	Кронштейн
22	Ограничитель
Система балансировки	
23	Узел верхний
24	Пластина
25	Фиксатор
26	Кронштейн
27	Внутренняя и наружная пружина

КОНСТРУКЦИЯ СЕКЦИОННЫХ ГАРАЖНЫХ ВОРОТ СЕРИИ CLASSIC

МОНТАЖНАЯ СХЕМА СЕКЦИОННЫХ ГАРАЖНЫХ ВОРОТ СЕРИИ CLASSIC С ПРУЖИНАМИ РАСТЯЖЕНИЯ



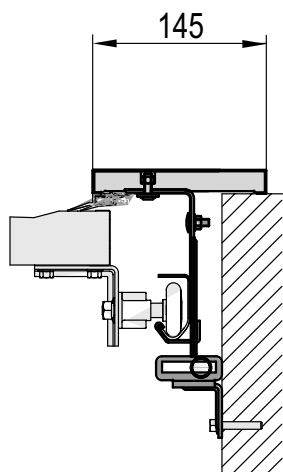
Минимальная высота перемычки (H) — 100 мм

H — высота перемычки, мм

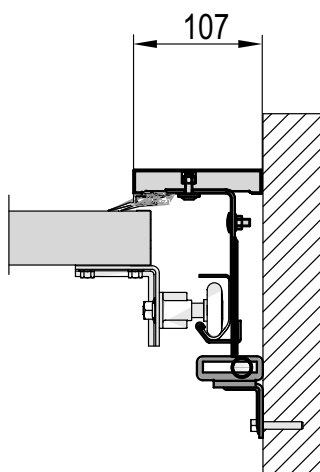
RM — высота проема, мм

ET — глубина вхождения ворот внутрь помещения, мм

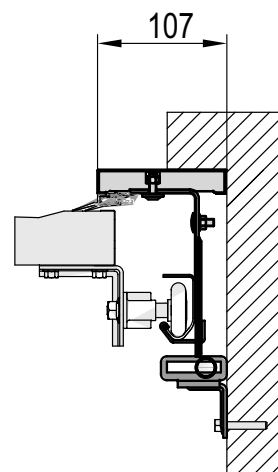
ВСТРОЕННЫЙ МОНТАЖ ГАРАЖНЫХ ВОРОТ СЕРИИ CLASSIC



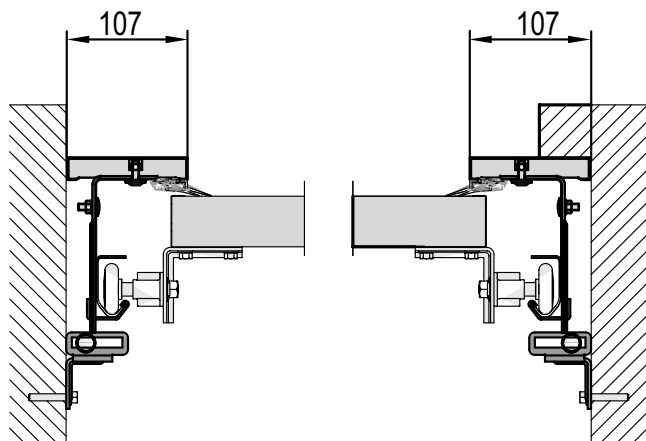
Монтаж перед проемом
Комплект FWO145



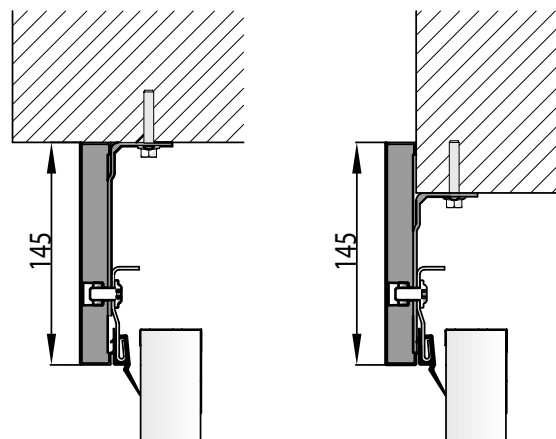
Монтаж в проеме
Комплект FWO100



Монтаж за проемом
Комплект FWO100



Комбинированный монтаж
Комплект FWO145



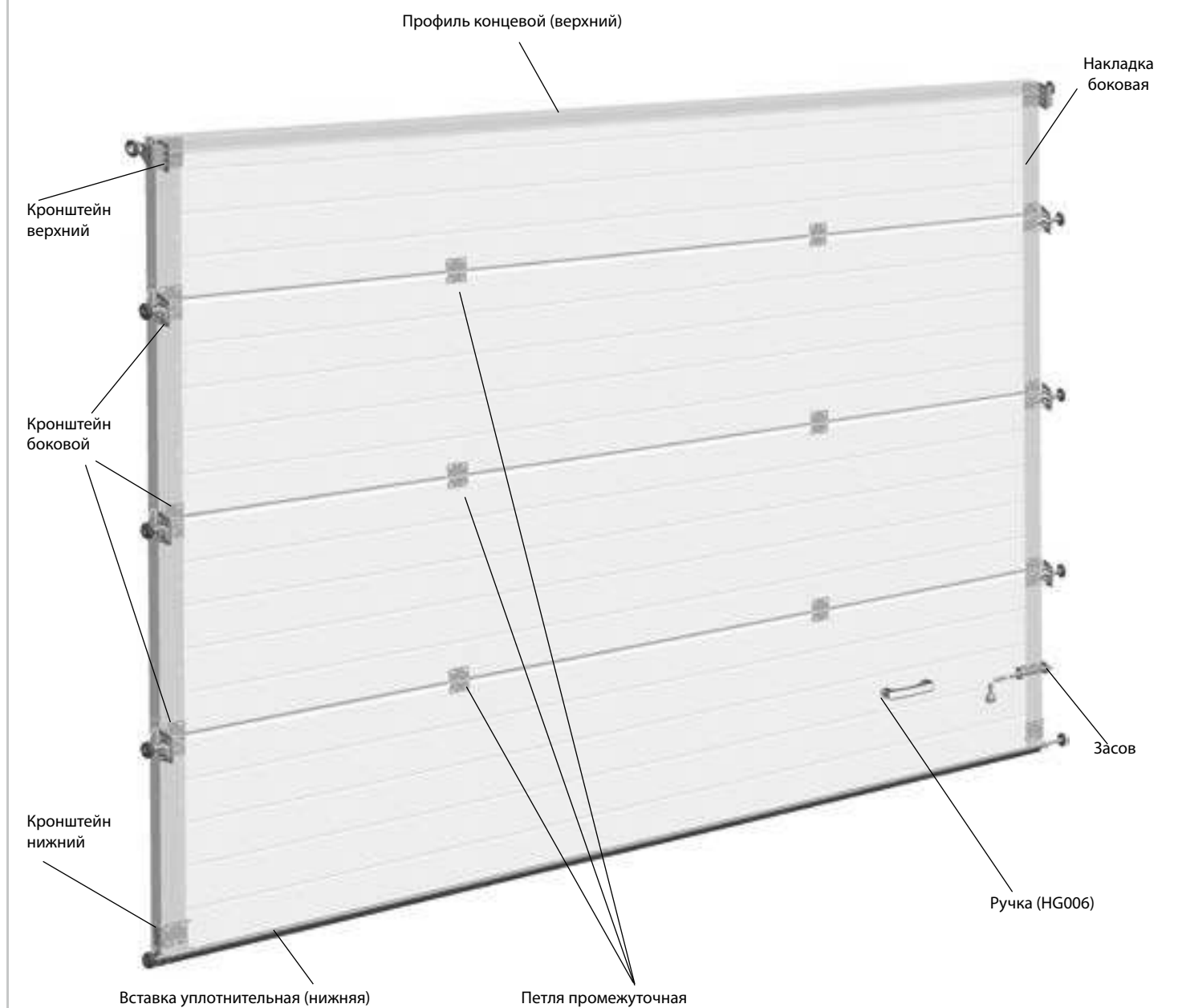
Установка декоративного нащельника



ПОЛОТНО ВОРОТ

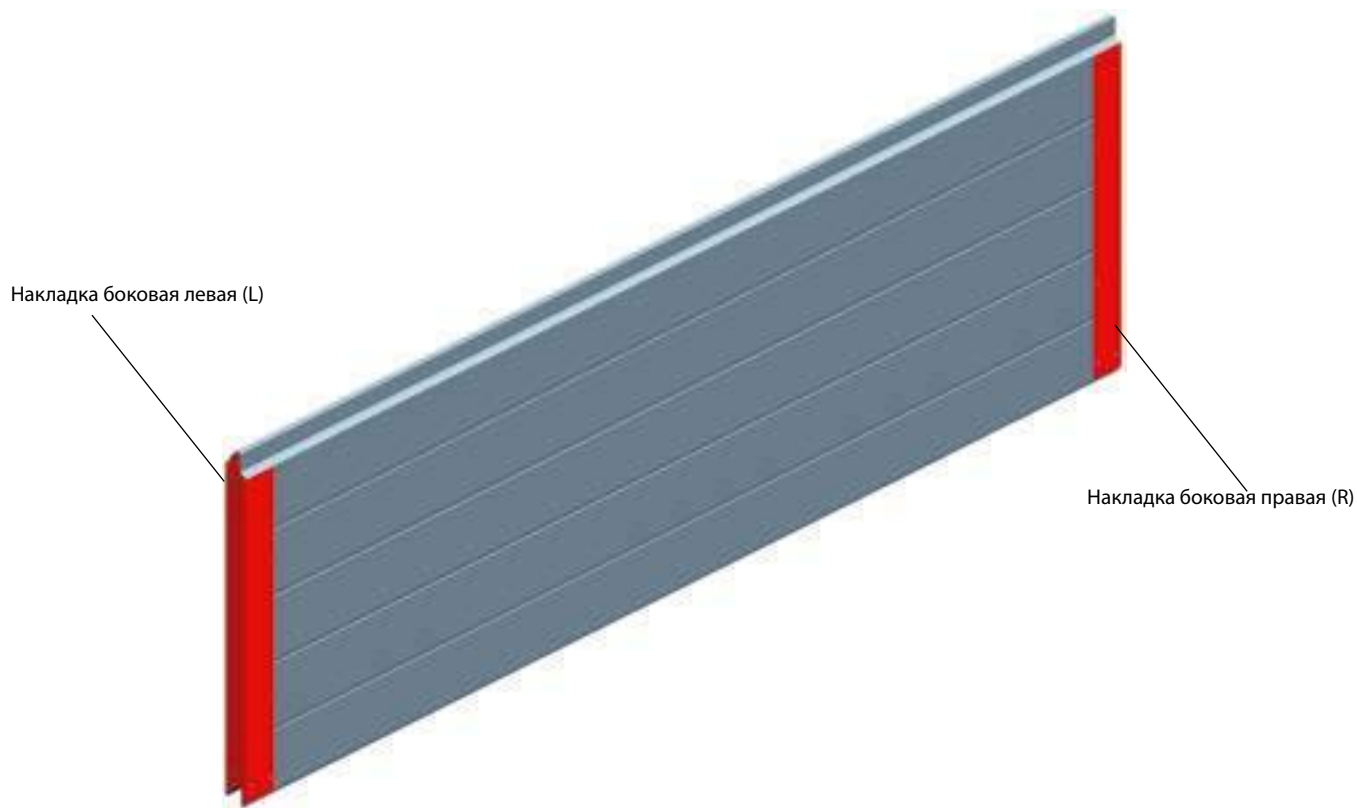
ТИПОВАЯ КОНСТРУКЦИЯ ПОЛОТНА ГАРАЖНЫХ ВОРОТ СЕРИИ CLASSIC

4.1



УСТАНОВКА НАКЛАДОК БОКОВЫХ

4.1

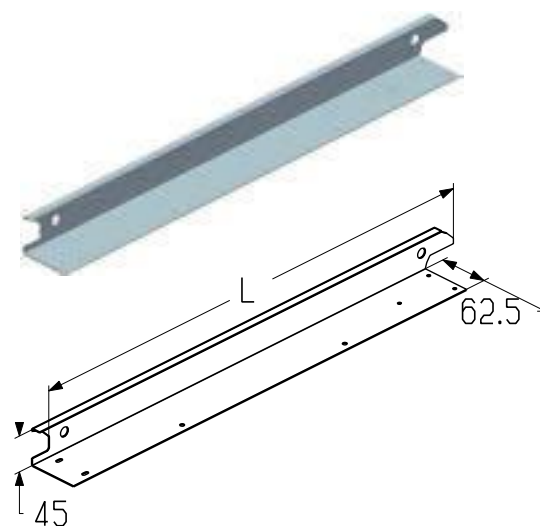


Накладка боковая

Предназначена для установки на торцы сэндвич-панели.

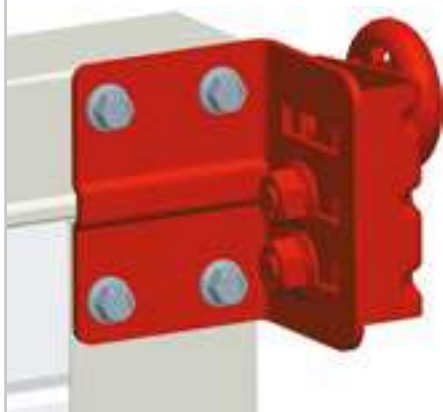
Толщина, мм 0,6
 Материал оцинкованная сталь
 Покрытие полимерное
 Цвет бело-серый (близкий RAL 9002)
 Единица измерения шт.

Арт.	Код	Длина (L), мм	Вес, кг/шт.	Норма поставки	Розничная цена, евро с НДС
ECS-500L	401340310	500	0,27	64	2,40
ECS-500R	401340410	500	0,27	64	2,40
ECS-625L	401390310	625	0,34	52	2,80
ECS-625R	401390410	625	0,34	52	2,80

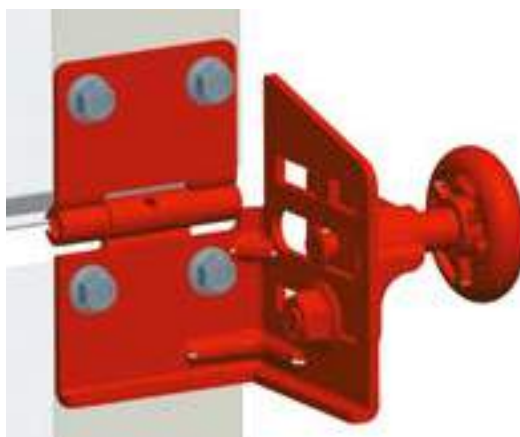


УСТАНОВКА РОЛИКОВЫХ КРОНШТЕЙНОВ

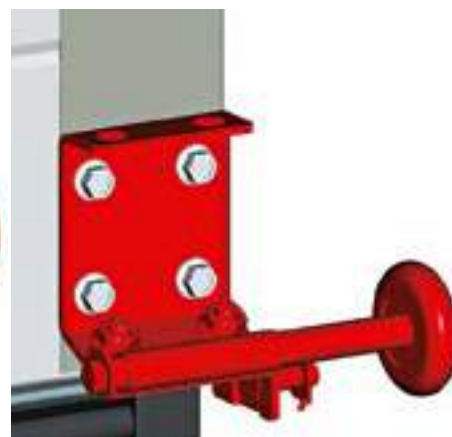
Кронштейн верхний



Кронштейн боковой



Кронштейн нижний



4.1

Кронштейн верхний

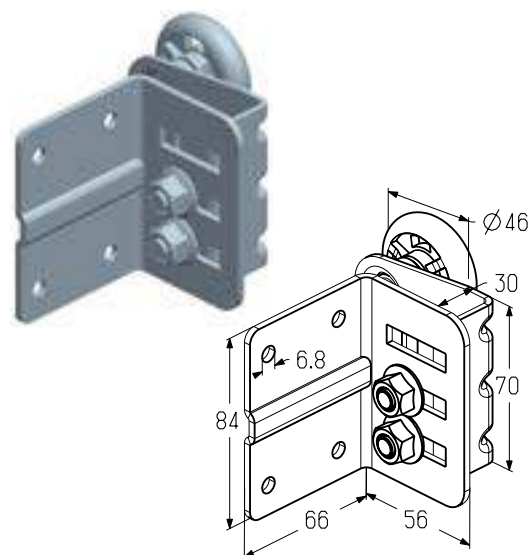
Предназначен для установки на верхнюю панель полотна ворот.

Вес, кг/шт.....0,418

Единица измеренияшт.

Норма поставки, шт.....20

Арт.	Код	Примечание	Материал	Розничная цена, евро с НДС
RBS900L	401210400	Левый	Оцинкованная сталь	7,00
RBS900R	401210500	Правый	Оцинкованная сталь	7,00
RBG-900TNL	401211000	Левый	Нержавеющая сталь	11,00
RBG-900TNR	401211100	Правый	Нержавеющая сталь	11,00



Кронштейн боковой

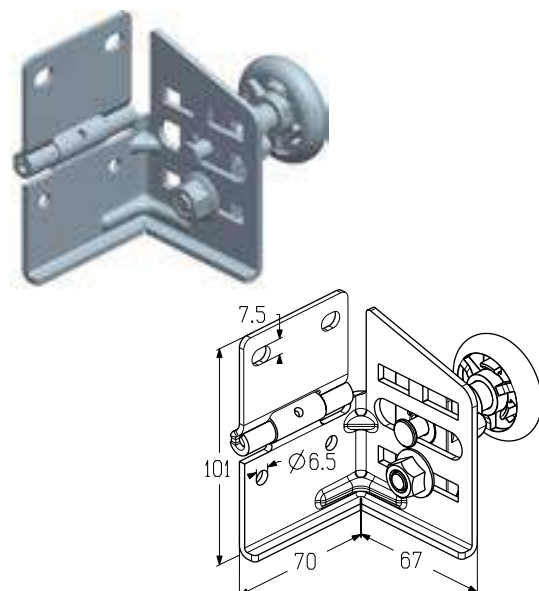
Предназначен для установки на промежуточные панели полотна ворот с рисунками «микроволна», «филенка», «S-гофр».

Вес, кг/шт.....0,368

Единица измеренияшт.

Норма поставки, шт.....30

Арт.	Код	Примечание	Материал	Розничная цена, евро с НДС
RBS700L	401220500	Левый	Оцинкованная сталь	8,00
RBS700R	401220600	Правый	Оцинкованная сталь	8,00
RBG-700TNL	401221400	Левый	Нержавеющая сталь	11,00
RBG-700TNR	401221500	Правый	Нержавеющая сталь	11,00



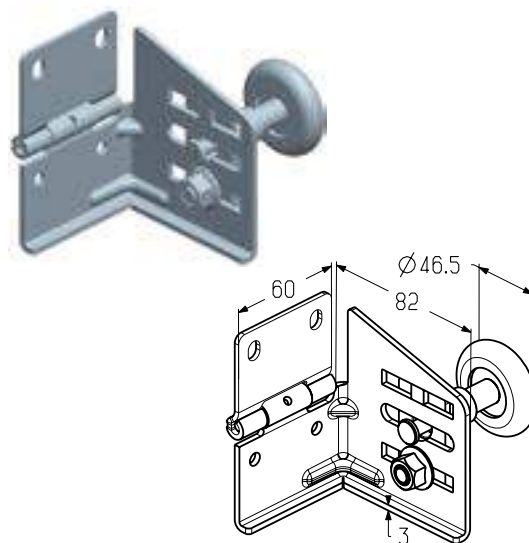
ПОЛОТНО ВОРОТ

Кронштейн боковой

Предназначен для установки на промежуточные панели полотна ворот с рисунками «М-гофр», «L-гофр».

Вес, кг/шт. 0,42
Единица измеренияшт.
Норма поставки, шт.60

Арт.	Код	Примечание	Материал	Розничная цена, евро с НДС
RBS700ML	401220700	Левый	Оцинкованная сталь	8,00
RBS700MR	401220800	Правый	Оцинкованная сталь	8,00
RBG-750TNL	401221600	Левый	Нержавеющая сталь	13,00
RBG-750TNR	401221700	Правый	Нержавеющая сталь	13,00

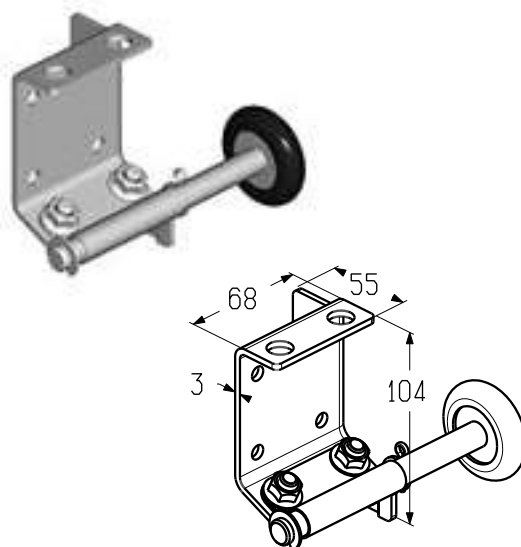


Кронштейн нижний левый
Кронштейн нижний правый

Предназначен для установки на нижнюю панель полотна ворот.

Вес, кг/шт.0,462
Единица измеренияшт.
Норма поставки, шт.20

Арт.	Код	Примечание	Материал	Розничная цена, евро с НДС
RBS100L	401231600	Левый	Оцинкованная сталь	9,00
RBS100R	401231700	Правый	Оцинкованная сталь	9,00
RBG-100TNL	401233600	Левый	Нержавеющая сталь	14,00
RBG-100TNR	401233700	Правый	Нержавеющая сталь	14,00

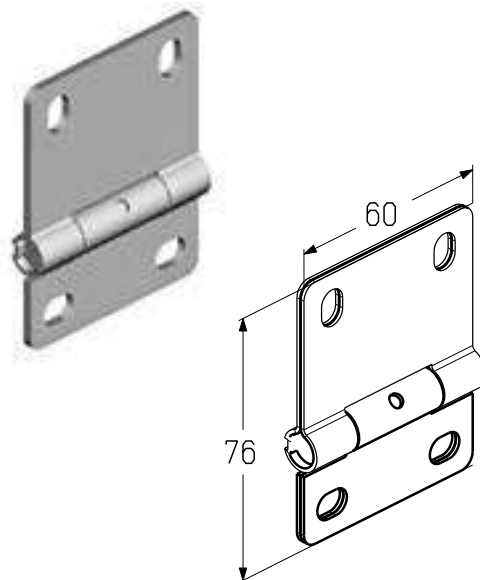


Петля промежуточная

Предназначена для соединения сэндвич-панелей полотна ворот.

Материал..... нержавеющая сталь
Вес, кг/шт.0,111
Единица измерения шт.
Норма поставки, шт.288

Арт.	Код	Розничная цена, евро с НДС
ИН113	401190500	3,00



4.1

УСТАНОВКА ПРОФИЛЯ КОНЦЕВОГО ВЕРХНЕГО

Профиль концевой верхний (арт. PRG-14)



Профиль концевой верхний (арт. PRG-15)



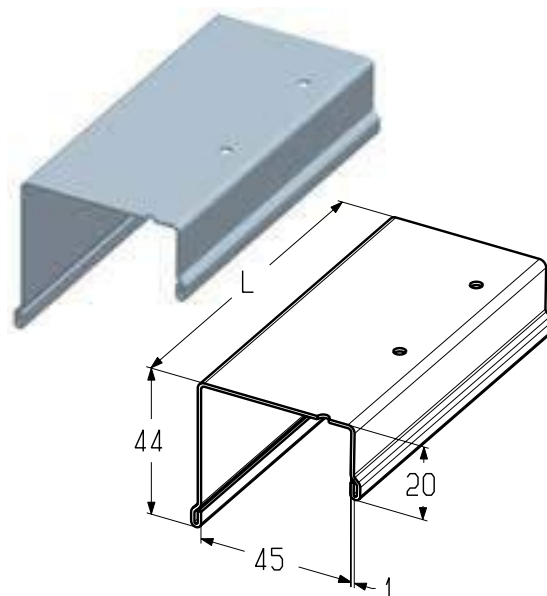
4.1

Профиль концевой (верхний)

Предназначен для установки в верхнюю панель полотна ворот.

Материал.....оцинкованная сталь
 Покрытие..... полимерное
 Цвет.....бело-серый (близкий RAL 9002)
 Вес, кг/м..... 0,95
 Единица измерениям

Арт.	Код	Длина, мм	Норма поставки, м	Розничная цена, евро с НДС
PRG-14	401411310	5720	823,68	7,60
		7040	1013,76	

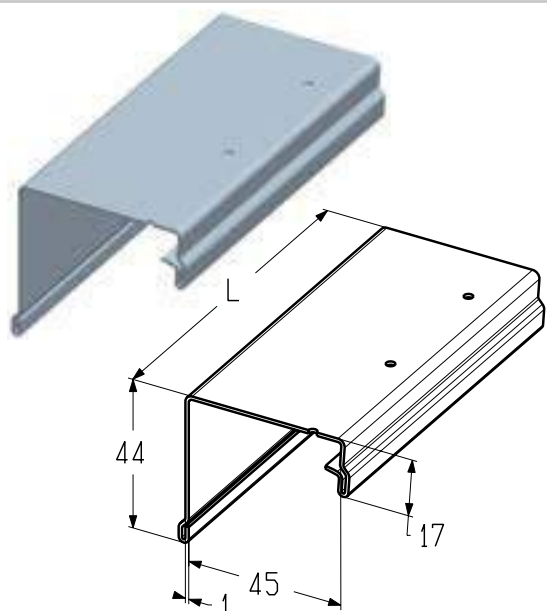


Профиль концевой (верхний)

Предназначен для установки в верхнюю панель полотна ворот.
 Устанавливается на сэндвич-панель с горизонтальным гофром в том случае, если подрезка панели попадает на паз.

Материал.....оцинкованная сталь
 Покрытие..... полимерное
 Цвет.....серо-белый (близкий RAL 9002)
 Вес, кг/м..... 0,95
 Единица измерениям

Арт.	Код	Длина, мм	Норма поставки, м	Розничная цена, евро с НДС
PRG-15	401411410	5720	915,20	7,60
		7040	1126,40	



ПОЛОТНО ВОРОТ

УСТАНОВКА ПРОФИЛЯ КОНЦЕВОГО НИЖНЕГО И НИЖНЕЙ ВСТАВКИ УПЛОТНИТЕЛЬНОЙ

Установка профиля концевой нижней



Вставка уплотнительная нижняя

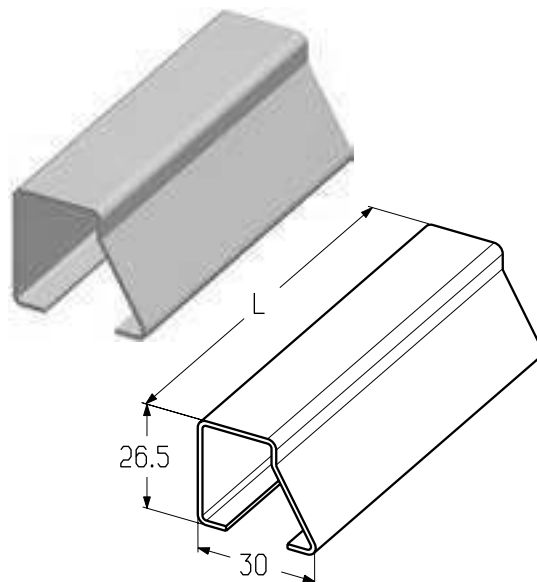


Профиль концевой (нижний)

Предназначен для установки в нижнюю панель полотна ворот.

Материал Сталь
 Вес, кг/м 0,742
 Единица измерения м

Арт.	Код	Длина, мм	Норма поставки, м	Розничная цена, евро с НДС
PRG-11	401411000	5700	45,60	4,00
		7040	56,32	

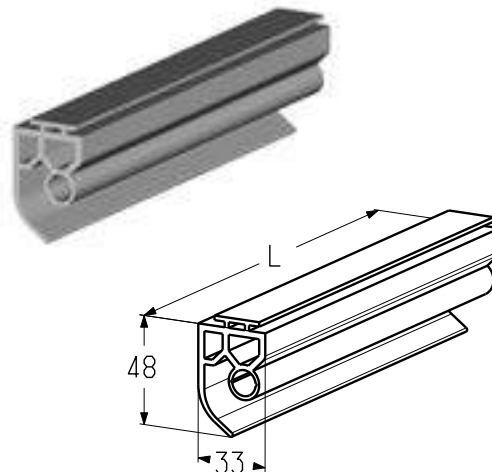


Вставка уплотнительная (нижняя)

Предназначена для герметизации нижней части проема.
 Устанавливается в профиль концевой нижней (PRG-11).

Материал EPDM
 Вес, кг/м 0,39
 Единица измерения м
 Норма поставки, м 55

Арт.	Код	Розничная цена, евро с НДС
RSB10	401510600	8,30



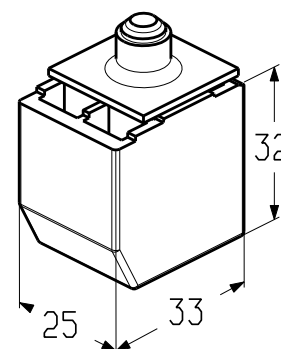
4.1

Упор нижний

Предназначен для установки в профиль воротный нижний (PRG-11).

Материал..... HDPE
 Вес, кг/м0,043
 Единица измеренияшт.
 Норма поставки, шт.60

Арт.	Код	Розничная цена, евро с НДС
LS1016	401940300	1,00



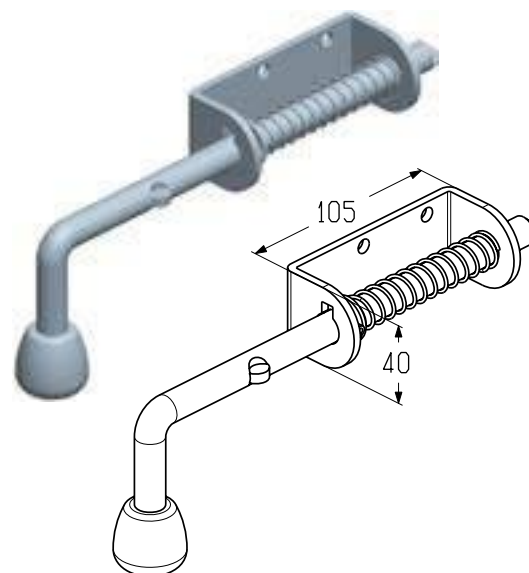
4.1

Засов

Предназначен для запирания ворот.

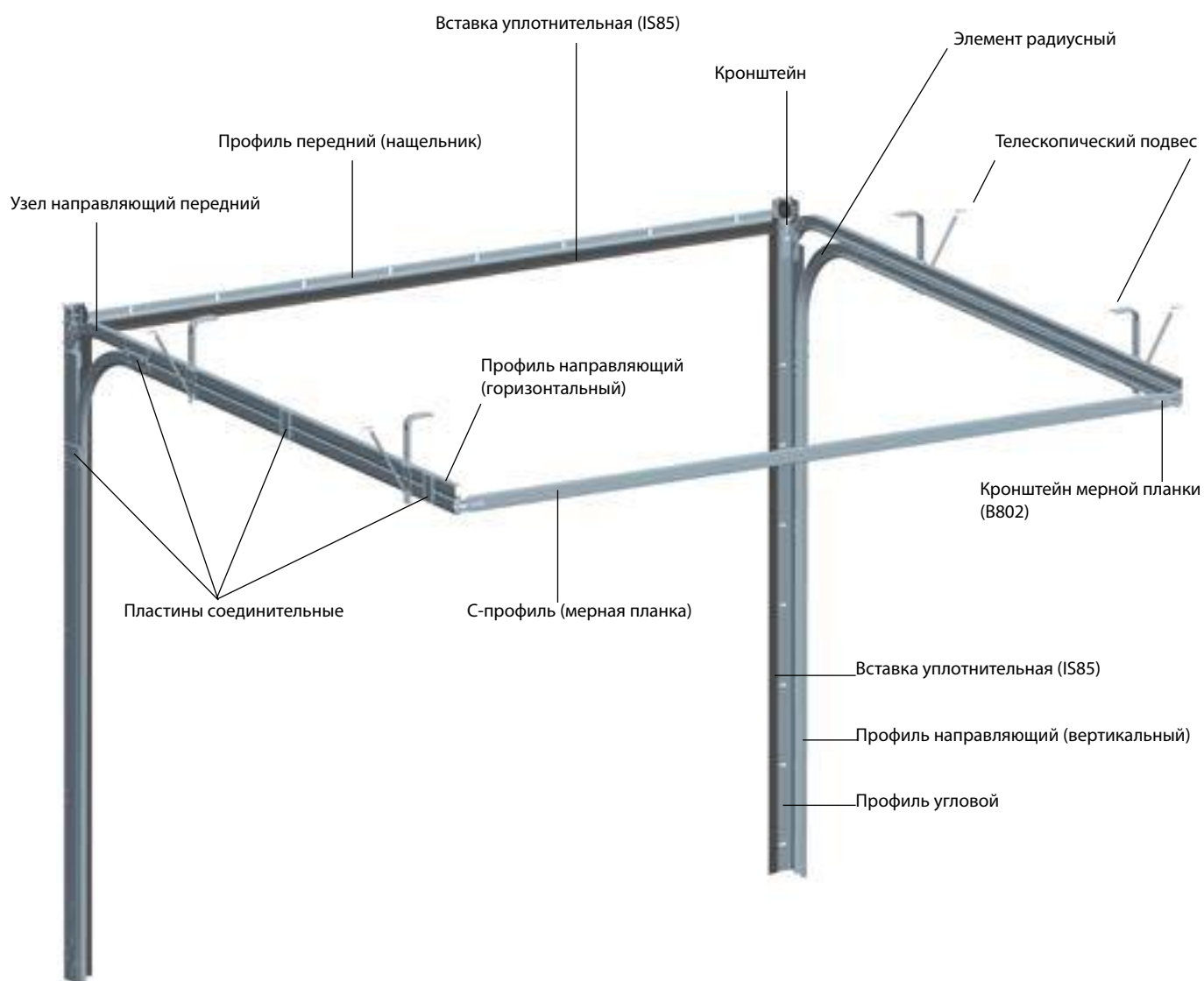
Материал..... оцинкованная сталь
 Вес, кг/шт.....0,583
 Единица измеренияшт.
 Норма поставки, шт.50

Арт.	Код	Розничная цена, евро с НДС
SB0101S	401960100	7,80





ТИПОВАЯ КОНСТРУКЦИЯ СИСТЕМЫ НАПРАВЛЯЮЩИХ И ПОДВЕСА
ГАРАЖНЫХ ВОРОТ СЕРИИ CLASSIC



4.2

СИСТЕМА НАПРАВЛЯЮЩИХ

УСТАНОВКА ПРОФИЛЯ УГЛОВОГО И ПРОФИЛЯ ПЕРЕДНЕГО

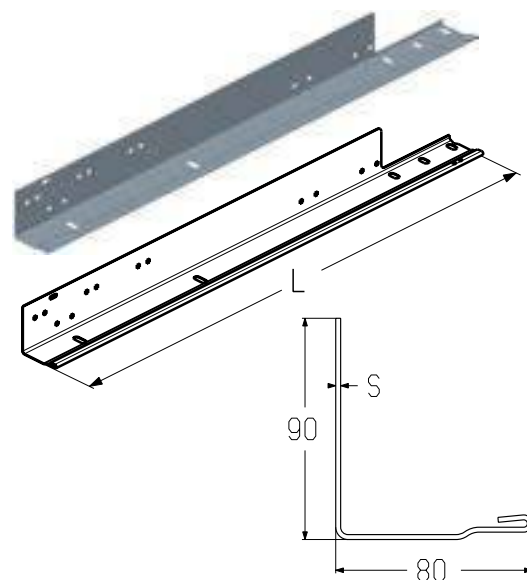


Профиль угловой

Предназначен для изготовления вертикальных направляющих.

Толщина (S), мм 1,2
 Материал оцинкованная сталь
 Вес, кг/м 1,593
 Единица измерения м

Арт.	Код	Примечание	Длина, мм	Норма поставки		Розничная цена, евро с НДС
				м	шт.	
PRG02SL	402013400	Левый	2185	131,1	60	9,50
			2350	141,0	60	
			2435	146,1	60	
			2600	156,0	60	
			2810	168,6	60	
PRG02SR	402013500	Правый	2185	131,1	60	9,50
			2350	141,0	60	
			2435	146,1	60	
			2600	156,0	60	
			2810	168,6	60	
3185	191,1	60				

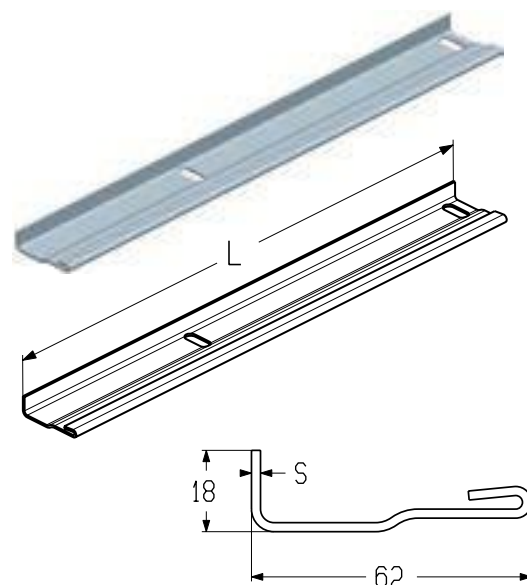


Профиль передний (нащельник)

Предназначен для соединения профилей угловых и для крепления вставки уплотнительной (IS85).

Толщина (S), мм 1,2
 Материал оцинкованная сталь
 Вес, кг/м 0,825
 Единица измерения м

Арт.	Код	Длина (L), мм	Норма поставки		Розничная цена, евро с НДС
			м	шт.	
PRG05S	402431000	2540	152,40	60	4,40
		2840	170,40	60	
		3040	182,40	60	
		3540	212,40	60	
		4040	242,40	60	
		4540	272,40	60	
		5060	303,60	60	
		6000	360,00	60	



УСТАНОВКА ПРОФИЛЯ НАПРАВЛЯЮЩЕГО И С-ПРОФИЛЯ



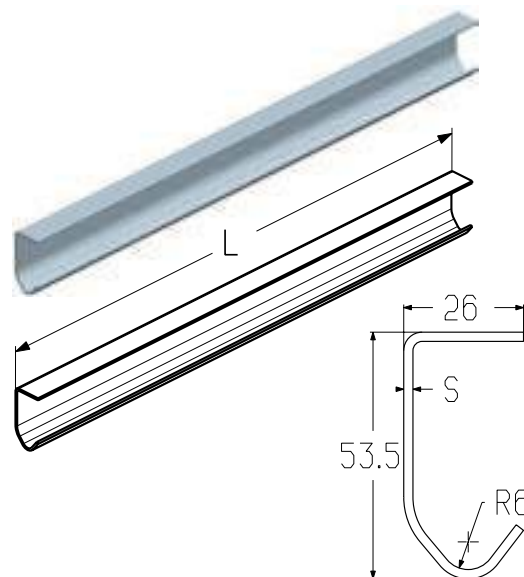
4.2

Профиль направляющий

Предназначен для создания траектории движения полотна ворот.

Толщина (S), мм 1,2
 Материал Оцинкованная сталь
 Вес, кг/м 0,891
 Единица измерения М

Арт.	Код	Длина (L), мм	Норма поставки		Розничная цена, евро с НДС
			м	шт.	
PRG04S	402130000	1795	89,75	50	5,00
		1920	96,00	50	
		2045	102,25	50	
		2170	108,5	50	
		2295	114,75	50	
		2435	121,75	50	
		2727	136,35	50	
2970	148,5	50			

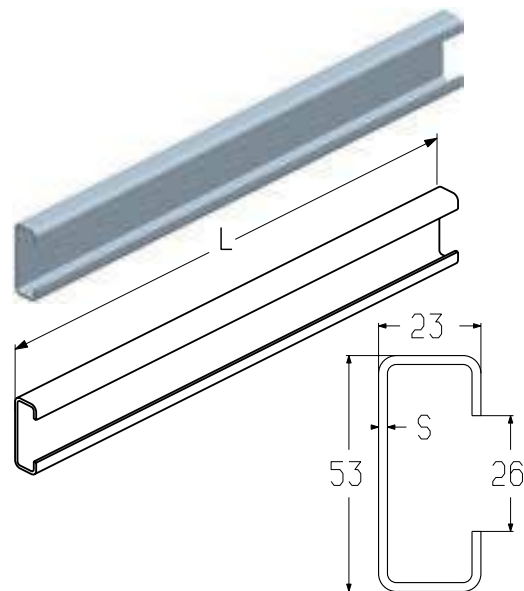


С-профиль

Предназначен для изготовления мерной планки.

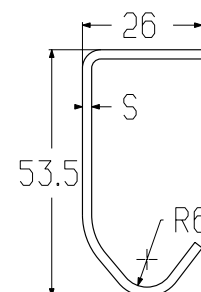
Толщина (S), мм 1,2
 Материал Оцинкованная сталь
 Вес, кг/м 1,76
 Единица измерения М

Арт.	Код	Длина (L), мм	Норма поставки		Розничная цена, евро с НДС
			м	шт.	
PRG07NS	402470000	2550	127,50	50	4,80
		2645	132,25	50	
		2845	142,25	50	
		3050	152,50	50	
		3545	177,25	50	



СИСТЕМА НАПРАВЛЯЮЩИХ

УСТАНОВКА ЭЛЕМЕНТА РАДИУСНОГО И УЗЛА НАПРАВЛЯЮЩЕГО ПЕРЕДНЕГО



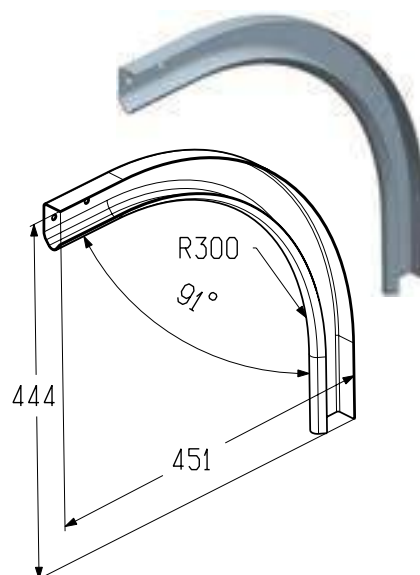
4.2

Элемент радиусный левый
Элемент радиусный правый

Предназначен для соединения вертикальной и горизонтальной направляющих.

Радиус, мм 300
Толщина (S), мм 1,2
Материал оцинкованная сталь
Вес, кг/шт. 0,605
Единица измерения шт.
Норма поставки, шт. 60

Арт.	Код	Примечание	Розничная цена, евро с НДС
RE801SL	402210000	Левый	5,80
RE801SR	402210100	Правый	5,80

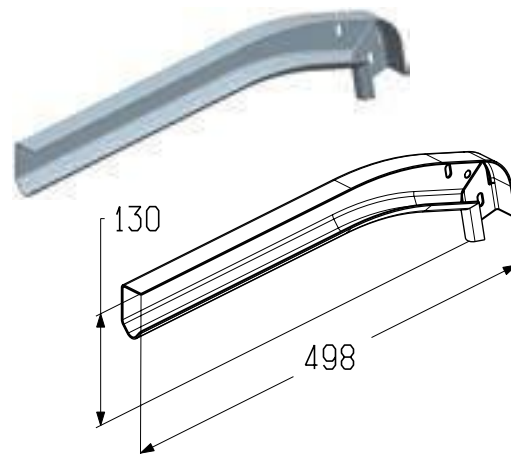


Узел направляющий передний левый
Узел направляющий передний правый

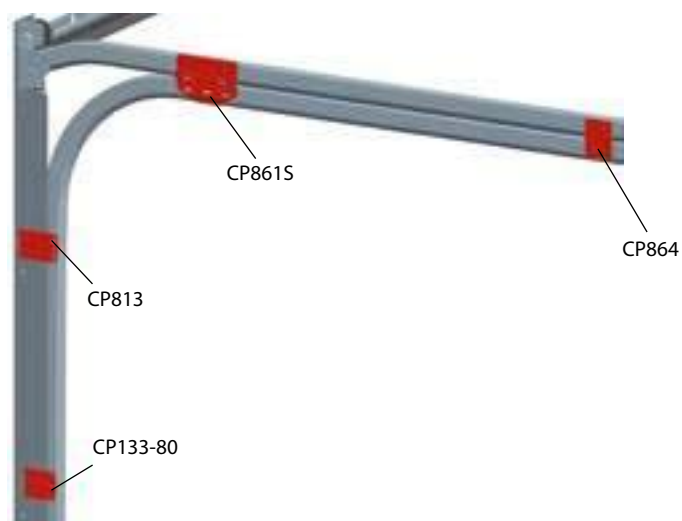
Предназначен для создания траектории движения верхней панели полотна ворот совместно с профилем направляющим (PRG04S).

Толщина (S), мм 1,2
Материал оцинкованная сталь
Вес, кг/шт. 0,470
Единица измерения шт.
Норма поставки, шт. 60

Арт.	Код	Примечание	Розничная цена, евро с НДС
S940SL	402310000	Левый	7,00
S940SR	402310100	Правый	7,00



УСТАНОВКА ПЛАСТИН СОЕДИНИТЕЛЬНЫХ



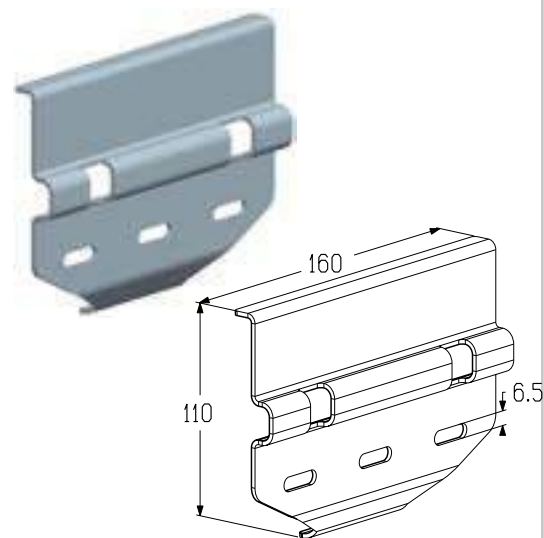
4.2

Пластина соединительная передняя

Предназначена для соединения горизонтальной направляющей с элементом радиусным и узлом направляющим передним.

Толщина, мм 1,2
 Материал оцинкованная сталь
 Вес, кг/шт. 0,170
 Единица измерения шт.
 Норма поставки, шт. 80

Арт.	Код	Розничная цена, евро с НДС
CP861S	402811400	2,50



СИСТЕМА НАПРАВЛЯЮЩИХ

УСТАНОВКА КРОНШТЕЙНА

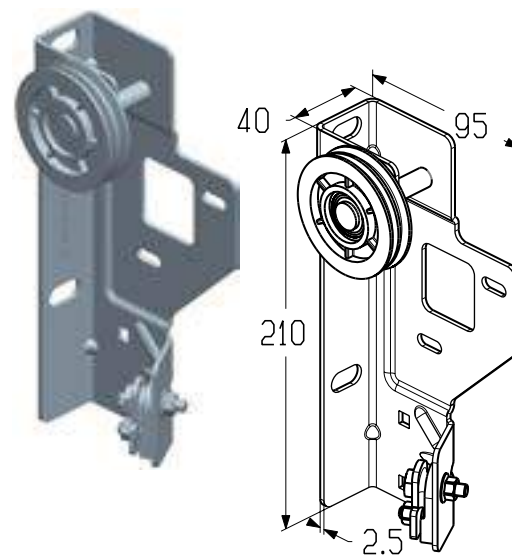


Кронштейн левый
Кронштейн правый

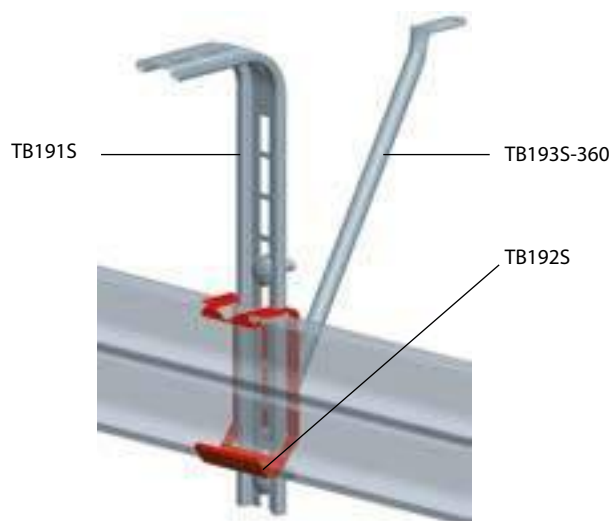
- Предназначен для:
- крепления узла направляющего переднего;
 - крепления троса.

Материалоцинкованная сталь
 Вес, кг/шт.....0,540
 Единица измеренияшт.
 Норма поставки, шт.24

Арт.	Код	Примечание	Розничная цена, евро с НДС
V180SL	402630100	Левый	21,00
V180SR	402630200	Правый	21,00



УСТАНОВКА ТЕЛЕСКОПИЧЕСКОГО ПОДВЕСА



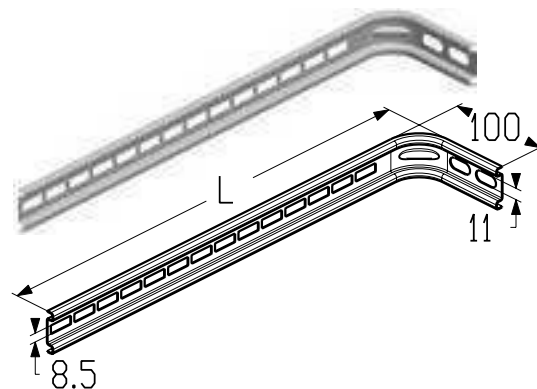
4.2

Подвес

Предназначен для изготовления системы телескопического подвеса.

Материал оцинкованная сталь
Единица измерения шт.

Арт.	Код	Длина, мм	Вес, кг/шт.	Норма поставки, шт.	Розничная цена, евро с НДС
TB191S-300	402811500	300	0,192	300	4,00
TB191S-500	402811600	500	0,282	200	6,00
TB191S-800	402811700	800	0,413	120	8,00
TB191S-1000	402811800	1000	0,514	100	9,00

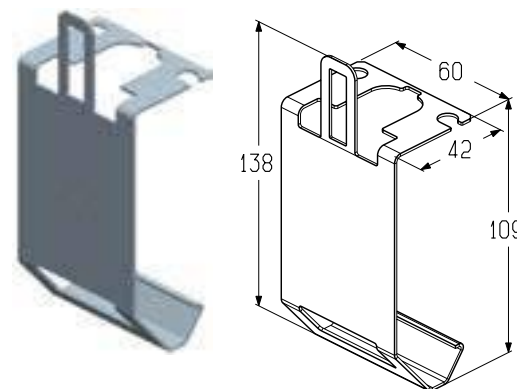


Кронштейн

Предназначен для изготовления системы телескопического подвеса.

Материал оцинкованная сталь
Вес, кг/шт. 0,082
Единица измерения шт.
Норма поставки, шт. 400

Арт.	Код	Розничная цена, евро без НДС
TB192S	402610700	2,50

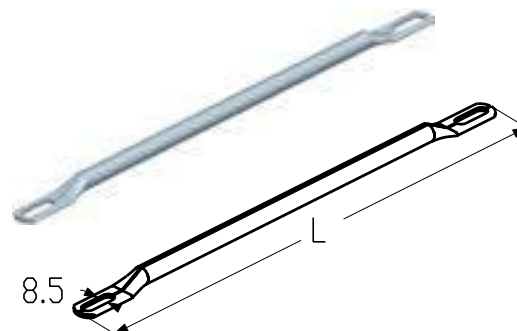


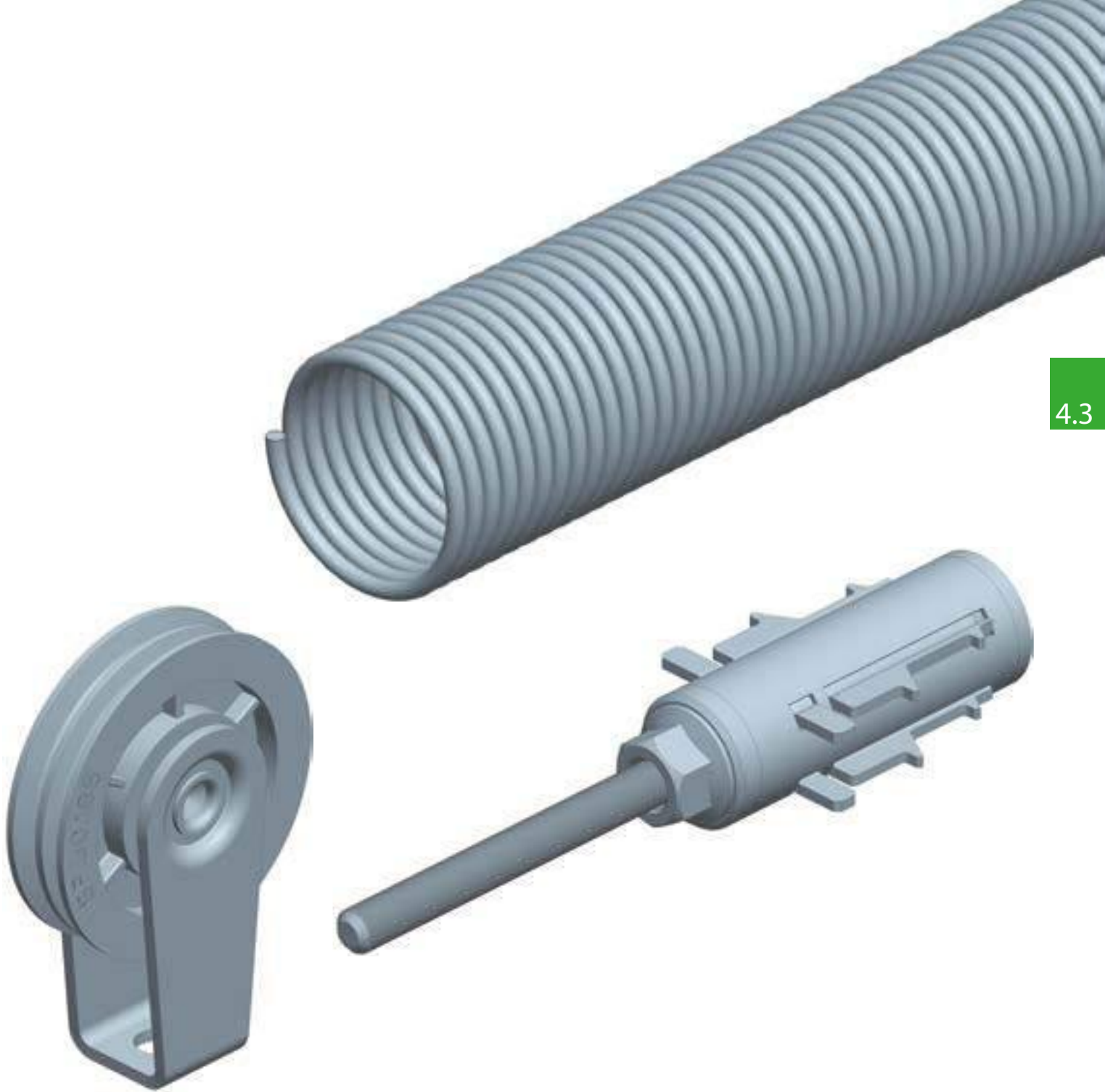
Раскос

Предназначен для изготовления системы телескопического подвеса.

Материал оцинкованная сталь
Единица измерения шт.
Норма поставки, шт. 400

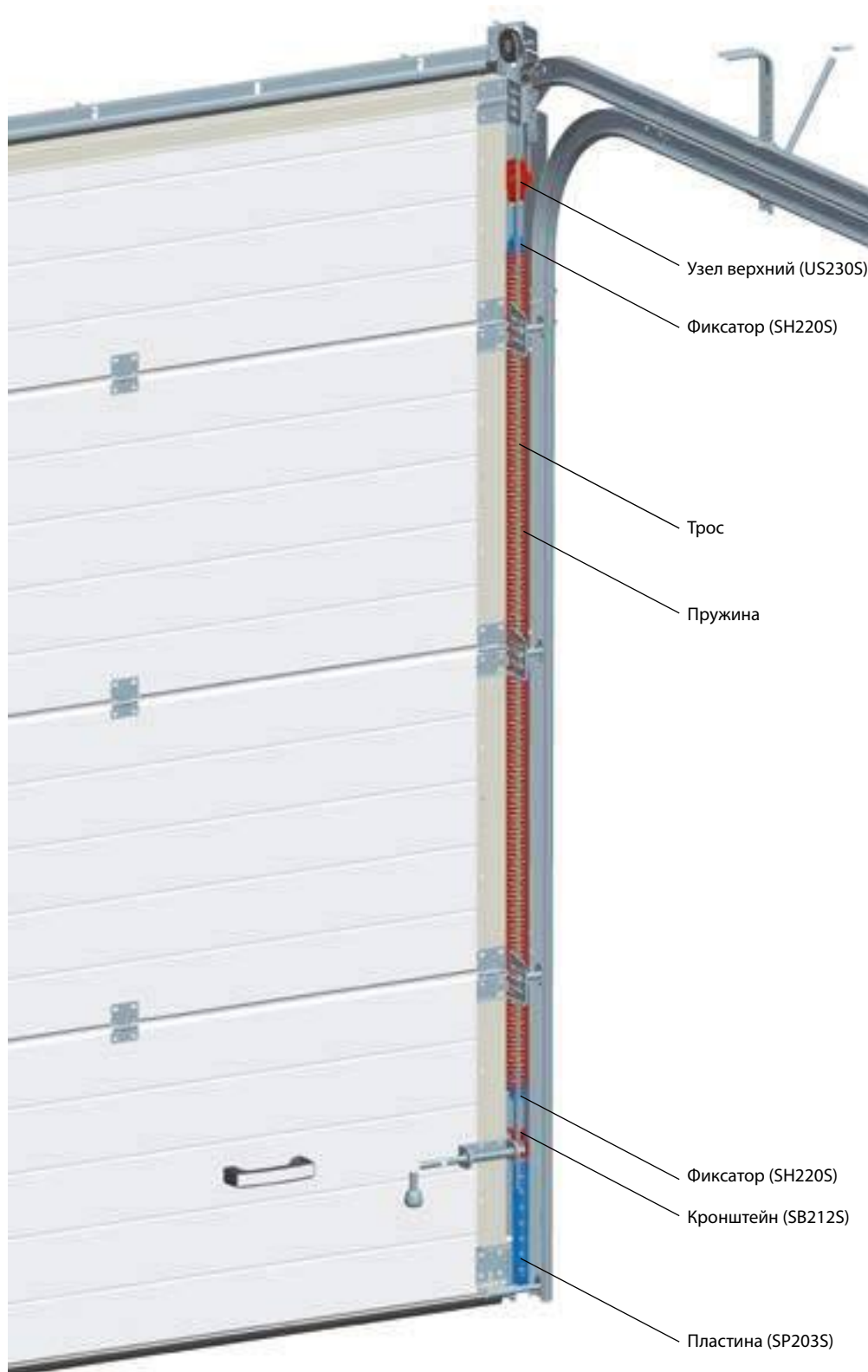
Арт.	Код	Длина, мм	Вес, кг/шт.	Розничная цена, евро с НДС
TB193S-330	402910600	330	0,082	2,00
TB193S-680	402910700	680	0,190	4,50
TB193S-910	402910800	910	0,261	5,50





СИСТЕМА БАЛАНСИРОВКИ

ТИПОВАЯ КОНСТРУКЦИЯ СИСТЕМЫ БАЛАНСИРОВКИ
ГАРАЖНЫХ ВОРОТ СЕРИИ CLASSIC



4.3

СИСТЕМА БАЛАНСИРОВКИ

УСТАНОВКА УЗЛА ВЕРХНЕГО И ПЛАСТИНЫ

Узел верхний



Пластина



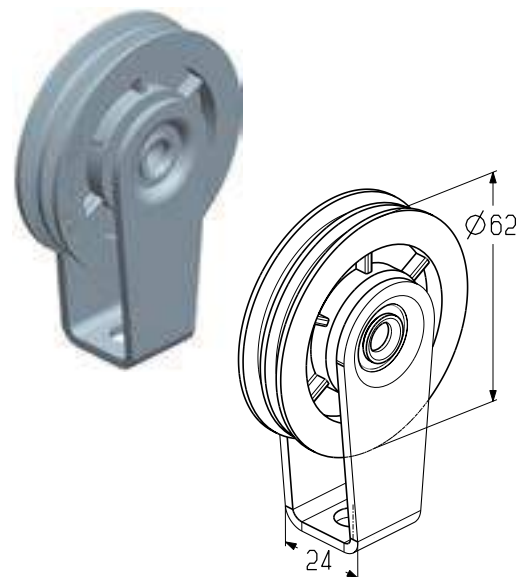
4.3

Узел верхний

Предназначен для
• установки троса;
• крепления фиксатора (SH220S).

Материал.....оцинкованная сталь
Вес, кг/шт.....0,135
Единица измеренияшт.
Норма поставки, шт..... 100

Арт.	Код	Розничная цена, евро без НДС
US230S	402300400	7,00

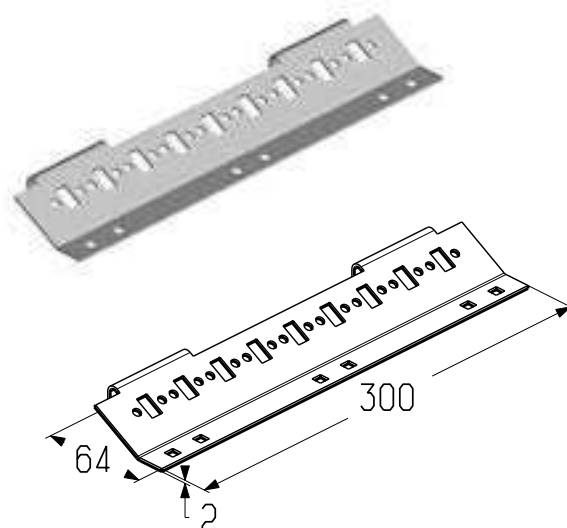


Пластина

Предназначена для регулировки натяжения пружин
совместно с кронштейном (SB212S).

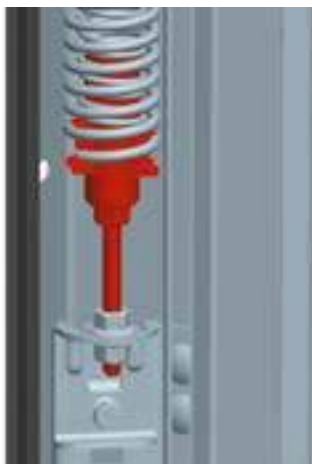
Материал.....оцинкованная сталь
Вес, кг/шт.....0,29
Единица измеренияшт.
Норма поставки, шт.....50

Арт.	Код	Розничная цена, евро без НДС
SP203S	402911000	6,00



УСТАНОВКА ФИКСАТОРА И КРОНШТЕЙНА

Фиксатор SH220S



Кронштейн SB212S

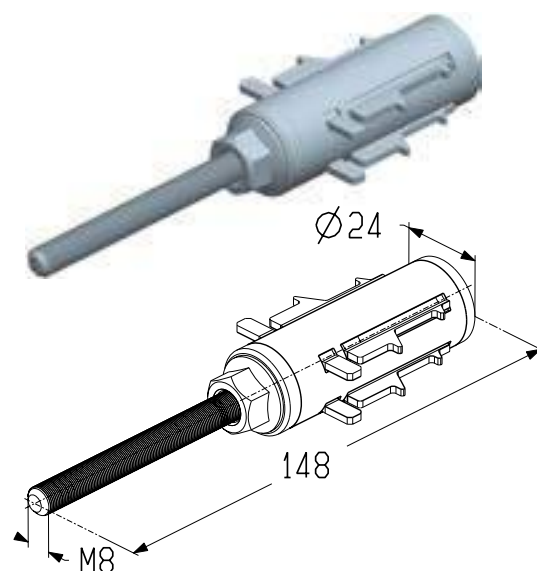


Фиксатор

Предназначен для крепления пружин.

Материал оцинкованная сталь
 Вес, кг/шт. 0,210
 Единица измерения шт.
 Норма поставки, шт. 80

Арт.	Код	Розничная цена, евро без НДС
SH220S	402910500	8,50

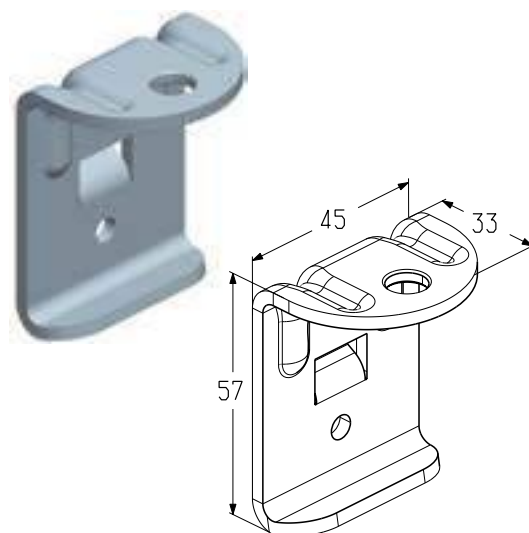


Кронштейн

Предназначен для регулировки натяжения пружин совместно с пластиной (SP202S).

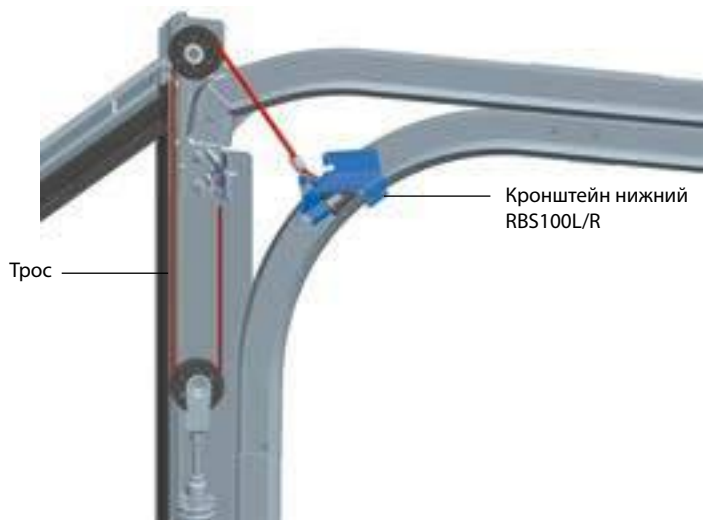
Материал оцинкованная сталь
 Вес, кг/шт. 0,930
 Единица измерения шт.
 Норма поставки, шт. 200

Арт.	Код	Розничная цена, евро без НДС
SB212S	402600600	1,50



СИСТЕМА БАЛАНСИРОВКИ

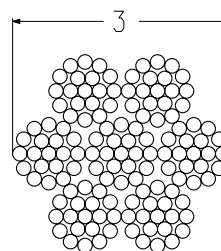
УСТАНОВКА ТРОСА



Трос

Предназначен для подъема полотна ворот.

Диаметр, мм 3
 Материал оцинкованная сталь
 Вес, кг/м 0,032
 Единица измерения м
 Норма поставки, м 250

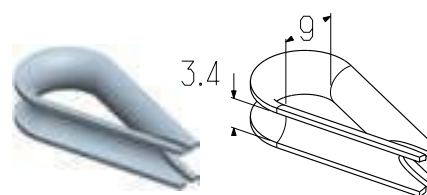


Арт.	Код	Розничная цена, евро без НДС
CR-3-250	403930000	0,70

Коуш

Предназначен для заделки троса.

Материал оцинкованная сталь
 Вес, кг/шт. 0,002
 Единица измерения шт.
 Норма поставки, шт. 1000

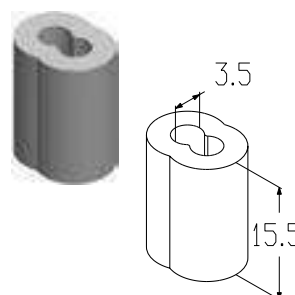


Арт.	Код	Розничная цена, евро без НДС
CRT-3	403950000	0,50

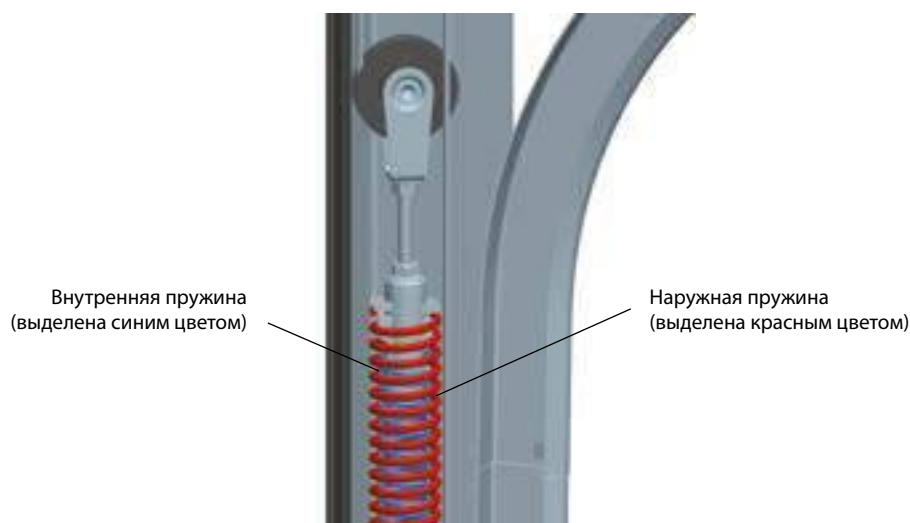
Зажим

Предназначен для заделки троса.

Материал алюминий
 Вес, кг/шт. 0,003
 Единица измерения шт.
 Норма поставки, шт. 1000



Арт.	Код	Розничная цена, евро без НДС
CRS2-3	403940000	0,25

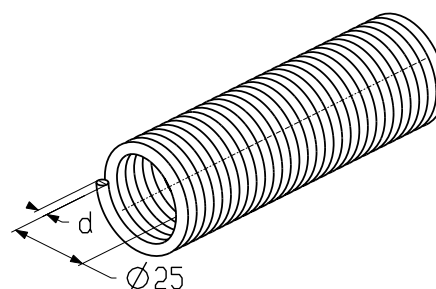
УСТАНОВКА ВНУТРЕННЕЙ И НАРУЖНОЙ ПРУЖИН


4.3

Пружина (внутренняя)

Предназначена для балансировки полотна ворот.

Внутренний диаметр, мм25
 Длина, мм 1500
 Материал..... оцинкованная сталь
 Единица измерениям

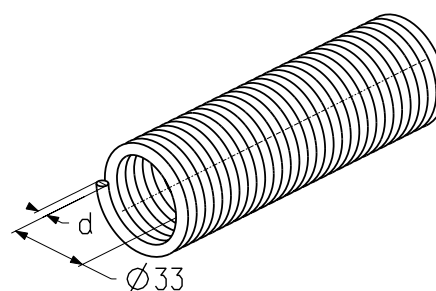


Арт.	Код	d, мм	Вес, кг/м	Цвет торца пружины	Норма поставки		Розничная цена, евро без НДС
					м	шт.	
TN28×25BR×1150L	403320800	2,8	1,93	RAL 8003	11,50	10	19,00
TN30×25WH×1075L	403320500	3,0	1,62	RAL 9003	10,75	10	20,00
TN32×25YL×1120L	403321900	3,2	1,74	RAL 1026	11,20	10	24,00
TN32×25YL×1400L	403321000	3,2	1,74	RAL 1026	14,00	10	24,00
TN34×25RD×1400L	403321100	3,4	1,86	RAL 3000	14,00	10	24,00

Пружина (наружная)

Предназначена для балансировки полотна ворот.

Внутренний диаметр, мм33
 Длина, мм 1500
 Материал..... оцинкованная сталь
 Единица измерениям



Арт.	Код	d, мм	Вес, кг/м	Цвет торца пружины	Норма поставки		Розничная цена, евро без НДС
					м	шт.	
TN32×33GR×1050R	403331700	3,2	2,23	RAL 7000	10,50	10	24,00
TN34×33BL×1375R	403330800	3,4	3,28	RAL 5005	13,75	10	24,00
TN36×33OR×850R	403331400	3,6	2,36	RAL 2000	8,50	10	31,00
TN36×33OR×1100R	403332200	3,6	2,54	RAL 2000	11,00	10	31,00
TN38×33PN×1000R	403331000	3,8	2,69	RAL 3014	10,00	10	35,00
TN40×33GN×1100R	403331500	4,0	2,85	RAL 6018	11,00	10	35,00
TN42×33BK×1250R	403331600	4,2	3,01	RAL 9005	12,50	10	37,00
TN45×33VT×1510R	403332300	4,5	3,47	RAL 4006	15,10	10	43,00

СИСТЕМА БАЛАНСИРОВКИ

УСТАНОВКА КОЖУХА

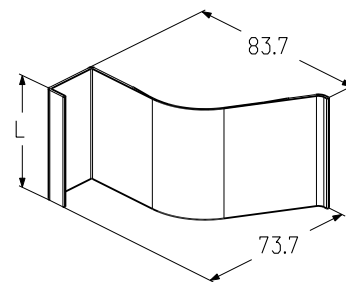


4.3

Кожух защитный

Предназначен для защиты от защемления пальцев.
Устанавливается совместно с пружинным механизмом.
Используется в гаражных воротах с пружинами растяжения.

Материал RPVC
Длина, м 2,5
Вес, кг/м 0,142
Единица измерения М
Норма поставки, м 25



Арт.	Код	Розничная цена, евро без НДС
РС-4016	402911800	5,50

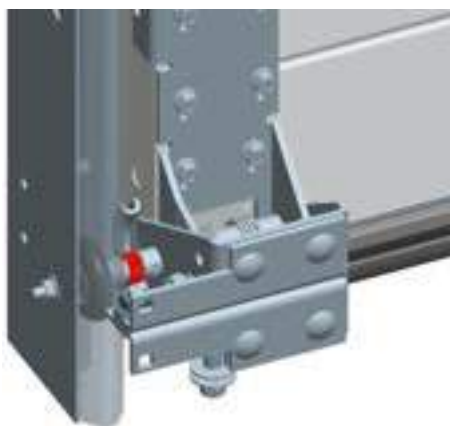


**ДОПОЛНИТЕЛЬНАЯ
КОМПЛЕКТАЦИЯ**

УСТАНОВКА КОЛЕЦ ДИСТАНЦИОННЫХ

КОЛЬЦО ДИСТАНЦИОННОЕ DR-11

Кронштейн нижний

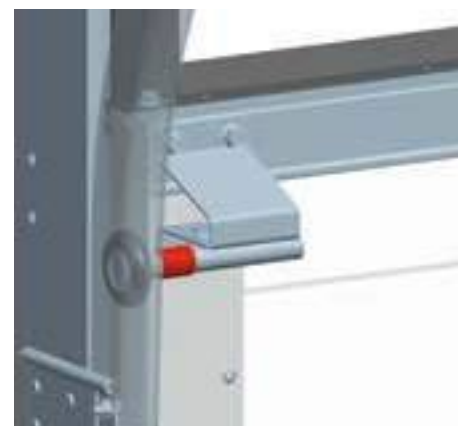


Ось шкива



КОЛЬЦО ДИСТАНЦИОННОЕ DR-12

Кронштейн боковой



Кольцо дистанционное

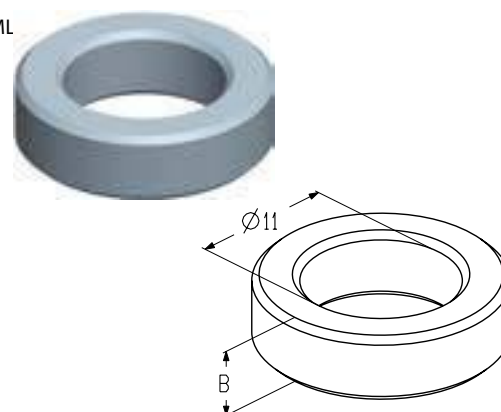
Предназначено для установки на ролики ходовые кронштейна нижнего (RBI446L/R, RBI446ML) Используется в промышленных воротах всех типов монтажа.

Предназначено для установки на ось шкива.
Используется:

- в гаражных воротах низкого типа монтажа;
- в промышленных воротах низкого и наклонного низкого типов монтажа.

Внутренний диаметр, мм 11
Материал оцинкованная сталь
Единица измерения шт.
Норма поставки, шт. 300

Арт.	Код	Ширина (В), мм	Вес, кг/шт.	Розничная цена, евро с НДС
DR-11-05	403960300	5	0,005	0,20
DR-11-07	403960400	7	0,007	0,30
DR-11-10	403960500	10	0,019	0,30



Кольцо дистанционное

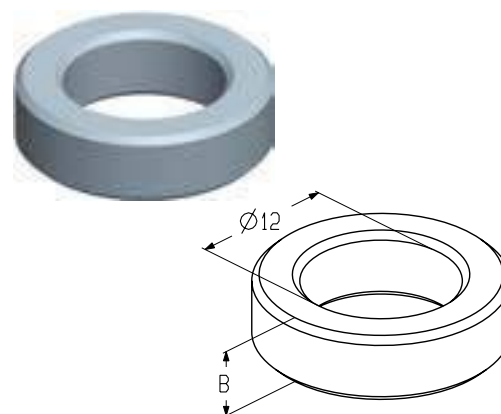
Предназначено для установки на ролики ходовые кронштейна бокового (RBI123) на верхнюю панель полотна ворот.

Используется:

- в гаражных воротах высокого типа монтажа;
- в промышленных воротах всех типов монтажа.

Внутренний диаметр, мм 12
Материал оцинкованная сталь
Единица измерения шт.
Норма поставки, шт. 200

Арт.	Код	Ширина (В), мм	Вес, кг/шт.	Розничная цена, евро с НДС
DR-12-05	403960600	5	0,004	0,20
DR-12-07	403960700	7	0,006	0,30
DR-12-10	403960800	10	0,008	0,30



ДОПОЛНИТЕЛЬНАЯ КОМПЛЕКТАЦИЯ

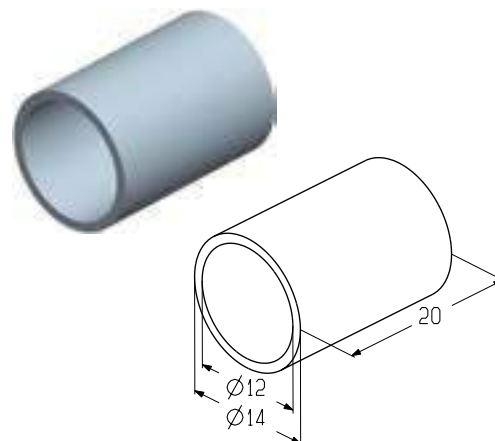
Втулка

Предназначена для предохранения троса от истирания.
Устанавливается на ролики ходовые первого и второго снизу кронштейна бокового (RBI123).

Используется в промышленных воротах высокого, вертикального, наклонного высокого типов монтажа с нижним расположением вала.

Материал..... ПВХ
Вес, кг/шт..... 0,154
Единица измерения шт.
Норма поставки, шт. 50

Арт.	Код	Розничная цена, евро без НДС
10500	403900000	0,15



5

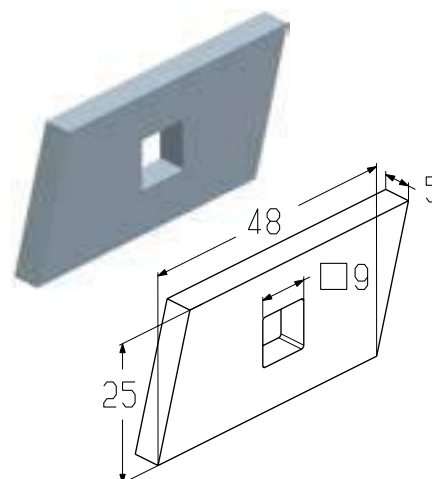
Пластина закладная

Предназначена для:

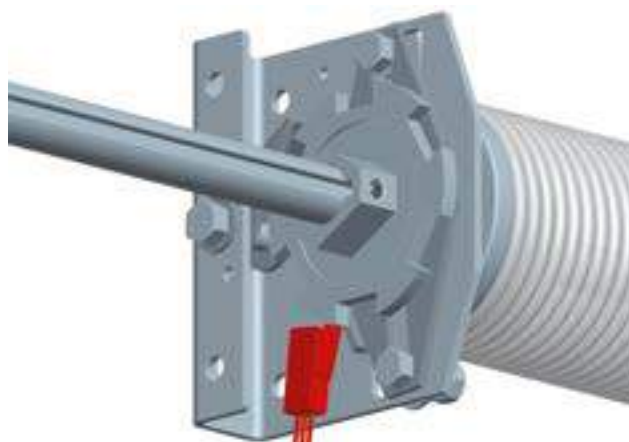
- крепления демпфера к горизонтальным направляющим в промышленных воротах всех типов монтажа;
- крепления блока (НКУ001) в гаражных воротах всех типов монтажа, промышленных воротах всех типов монтажа кроме вертикального, высокого, наклонного с нижним расположением вала.

Материал..... оцинкованная сталь
Вес, кг/шт..... 0,04
Единица измерения шт.
Норма поставки, шт. 100

Арт.	Код	Розничная цена, евро без НДС
CP0506	403900100	1,15



УСТАНОВКА ДАТЧИКОВ БЕЗОПАСНОСТИ



5

Микрореле

Предназначено для остановки электропривода при поломке пружины.
Устанавливается совместно с муфтой храповой предохранительной.

Используется:

- в гаражных воротах с торсионными пружинами всех типов монтажа;
- в промышленных воротах всех типов монтажа.

Вес, кг/шт. 0,03
Единица измерения.....шт.
Норма поставки, шт..... 50

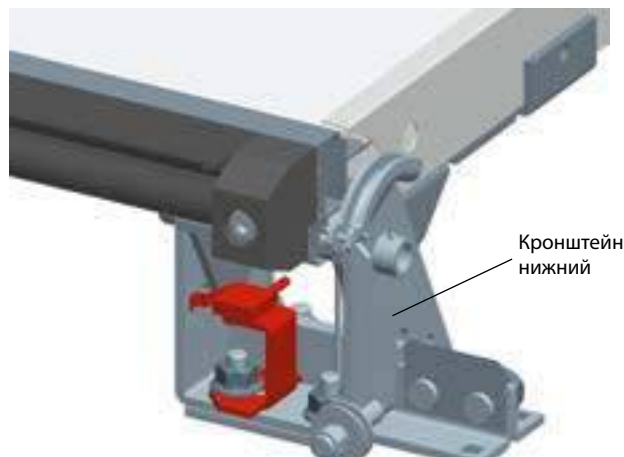


Арт.	Код	Розничная цена, евро без НДС
SS0402	403900200	24,00

ДОПОЛНИТЕЛЬНАЯ КОМПЛЕКТАЦИЯ

УСТАНОВКА ДАТЧИКОВ БЕЗОПАСНОСТИ

Реле SS446L/R



Реле SS-40.100



5

Реле

Предназначено для остановки электропривода при обрыве троса.
Устанавливается совместно с кронштейном нижним (RBI446L/R, RBI446ML/R).
Используется в промышленных воротах всех типов монтажа.

Вес, кг/шт.0,6
Единица измерения.....шт.
Норма поставки, шт.....25

Арт.	Код	Материал	Розничная цена, евро без НДС
SS446L	403900300	Левый	9,00
SS446R	403900400	Правый	9,00

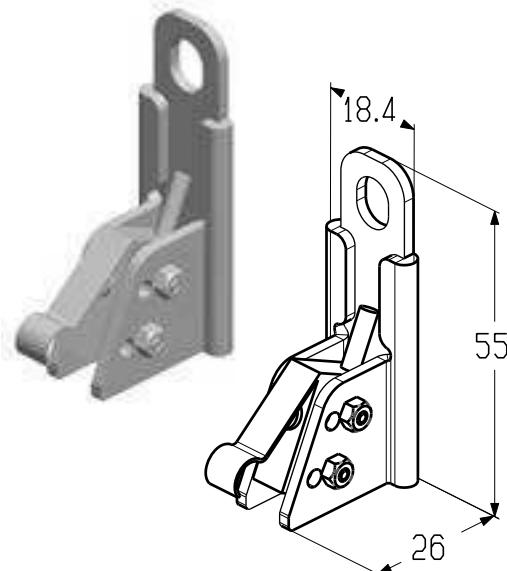


Реле

Предназначено для остановки электропривода при обрыве троса.
Устанавливается совместно с кронштейном нижним (RBI-40.100R/L, RBI-40.100DR/L).
Используется в промышленных воротах всех типов монтажа.

Вес, кг/шт.....0,03
Единица измерения.....шт.
Норма поставки, шт.....??

Арт.	Код	Розничная цена, евро без НДС
SS-40.100	401200400	9,00

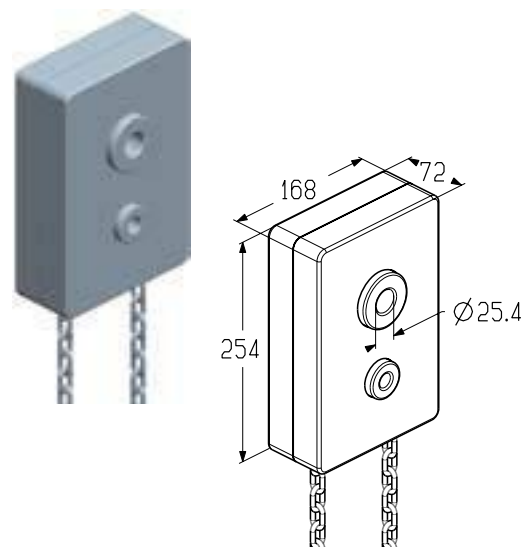


Редуктор цепной

Предназначен для подъема/опускания полотна ворот.
Используется в промышленных воротах всех типов монтажа.

Вес, кг/шт. 5
 Единица измерения шт.
 Норма поставки, шт. 1

Арт.	Код	Розничная цена, евро без НДС
CH0501	403900500	133,85

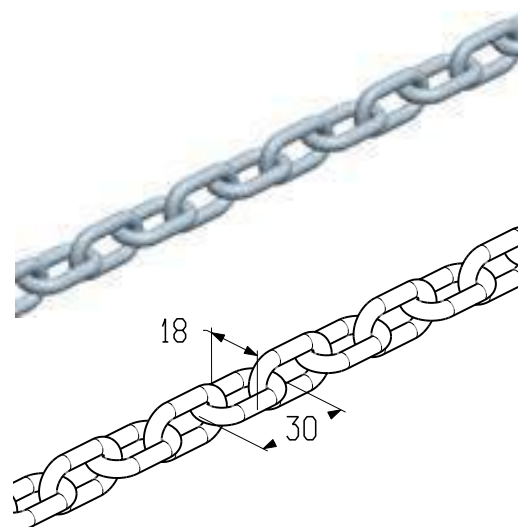


Цепь

Предназначена для удлинения цепи редуктора цепного (CH0501).
Используется в промышленных воротах всех типов монтажа.

Материал оцинкованная сталь
 Вес, кг/м 0,5
 Единица измерения м
 Норма поставки, м 25

Арт.	Код	Розничная цена, евро без НДС
C0502	403900600	7,70



Веревка

Предназначена для опускания полотна ворот.
Используется в гаражных и промышленных воротах всех типов монтажа.

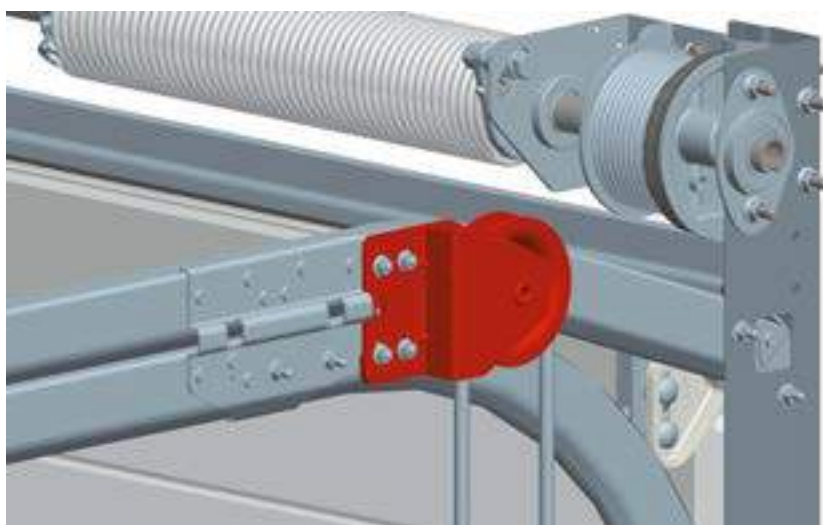
Вес, кг/м 0,04
 Единица измерения м
 Норма поставки, м 250

Арт.	Код	Розничная цена, евро без НДС
PR0503	403900700	2,50



ДОПОЛНИТЕЛЬНАЯ КОМПЛЕКТАЦИЯ

УСТАНОВКА БЛОКА



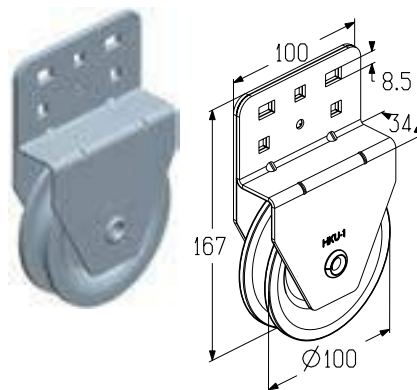
5

Блок

Предназначен для подъема/опускания полотна ворот.
Используется в гаражных и промышленных воротах всех типов монтажа.

Вес, кг/шт..... 0,61
Единица измеренияшт.
Норма поставки, шт. 10

Арт.	Код	Розничная цена, евро без НДС
HKU001	403900800	23,10



Петля

Предназначена для крепления веревки (PR0503) к профилю угловому.
Используется:

- в гаражных воротах высокого типа монтажа;
- в промышленных воротах всех типов монтажа кроме низкого и наклонного низкого.

Материал оцинкованная сталь
Вес, кг/шт..... 0,04
Единица измеренияшт.
Норма поставки, шт. 100

Арт.	Код	Розничная цена, евро без НДС
S0504	403900900	0,90

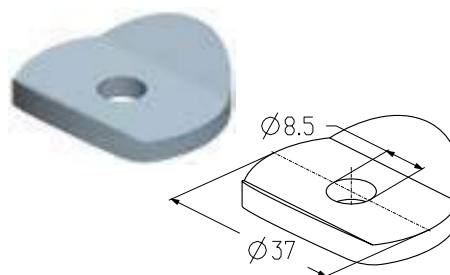


Крепление

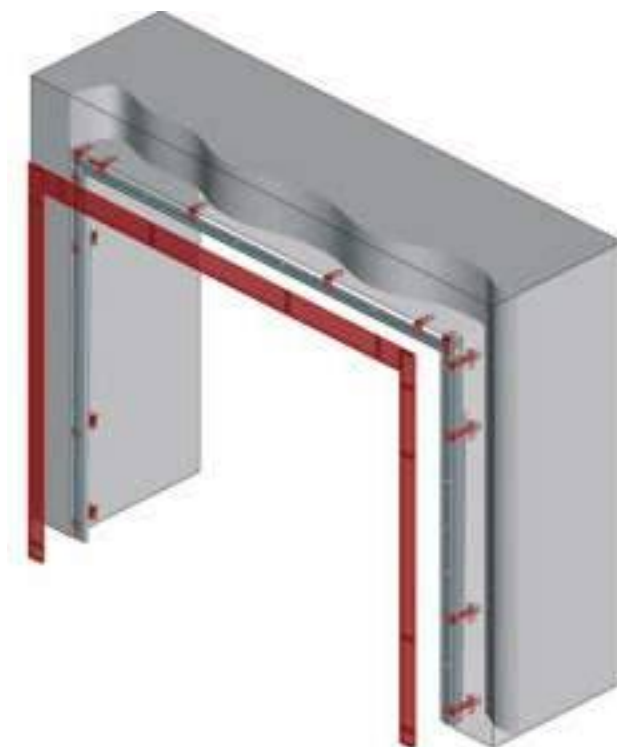
Предназначено для крепления веревки (PR0503) к кронштейну нижнему (RBI446L/R, RBI446ML/R).
Используется в промышленных воротах всех типов монтажа.

Материал оцинкованная сталь
Вес, кг/шт..... 0,04
Единица измеренияшт.
Норма поставки, шт. 100

Арт.	Код	Розничная цена, евро без НДС
RC0505	403901000	1,20



УСТАНОВКА КОМПЛЕКТА ВСТРОЕННОГО МОНТАЖА (МОНТАЖ В ПРОЕМ)



5

Комплект кронштейнов

Предназначен для крепления углового профиля (PRG32LL/R, PRG02LL/R) и профиля переднего (PRG05) к проему.
Входит в состав комплекта встроенного монтажа FWO100 и FWO145.
Используется в гаражных воротах низкого типа монтаж и серии Standard.

Состав комплекта:

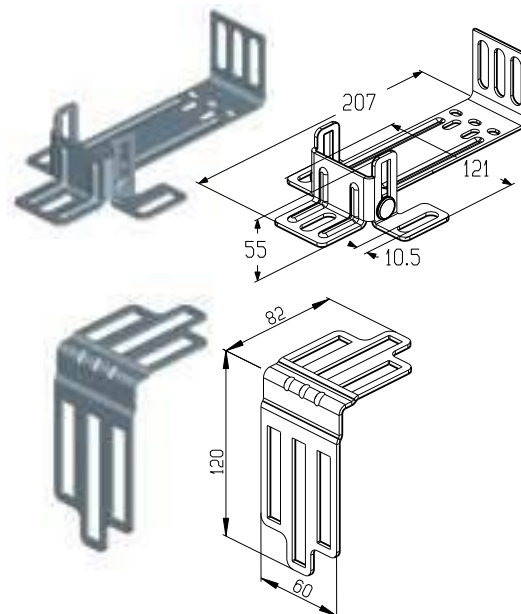
- кронштейн для крепления углового профиля (8 шт.);
- кронштейн для крепления профиля переднего (6 шт.).

Вес, кг/шт.4,028

Единица измеренияшт.

Норма поставки, шт.1

Арт.	Код	Розничная цена, евро без НДС
FWO100/145B	402950700	101,00



ДОПОЛНИТЕЛЬНАЯ КОМПЛЕКТАЦИЯ

Комплект крепежный

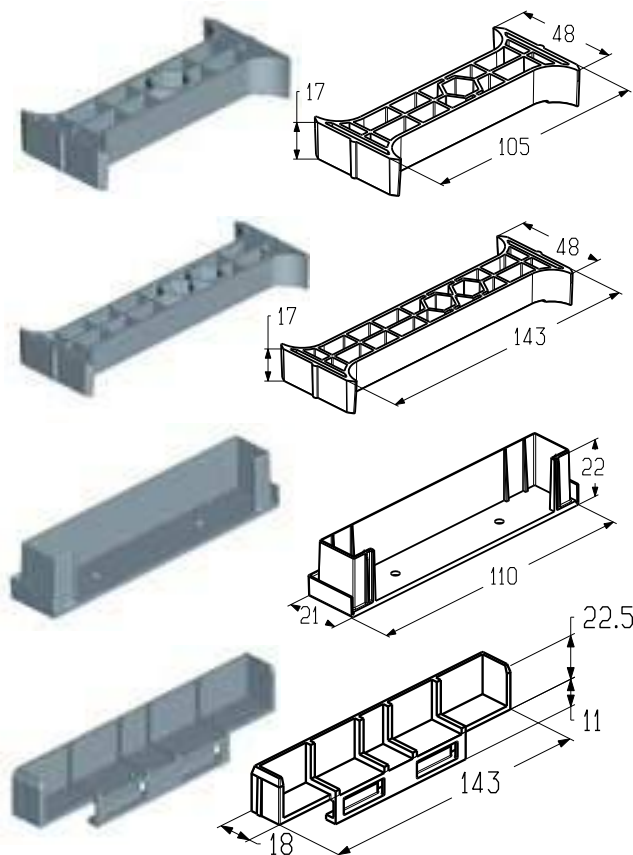
Предназначен для крепления комплекта нащельников (FWO100C) к угловому профилю (PRG32LL/R, PRG02LL/R).
Входит в состав комплекта встроенного монтажа FWO100.
Используется в гаражных воротах низкого типа монтаж и серии Standard.

Состав комплекта:

- сухарь для крепления боковых нащельников (8 шт.);
- сухарь для крепления профиля переднего (4 шт.);
- заглушка для нащельников (4 шт.);
- заглушка для верхнего нащельника (2 шт.).

Вес, кг/шт.0,529
Единица измеренияшт.
Норма поставки, шт.1

Арт.	Код	Розничная цена, евро без НДС
FWO100F	402950800	34,00



Комплект крепежный

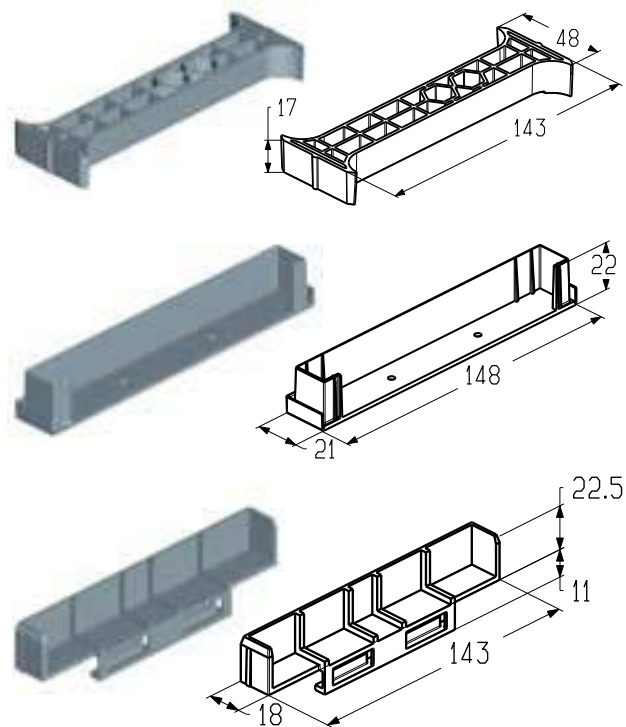
Предназначен для крепления комплекта нащельников (FWO145C) к угловому профилю (PRG32LL/R, PRG02LL/R).
Входит в состав комплекта встроенного монтажа FWO145.
Используется в гаражных воротах низкого типа монтаж и серии Standard.

Состав комплекта:

- сухарь для крепления верхнего и боковых нащельников (12 шт.);
- заглушка для нащельников (4 шт.);
- заглушка для верхнего нащельника (2 шт.).

Вес, кг/шт.0,584
Единица измеренияшт.
Норма поставки, шт.1

Арт.	Код	Розничная цена, евро без НДС
FWO145F	402951200	40,00



Комплект нащельников

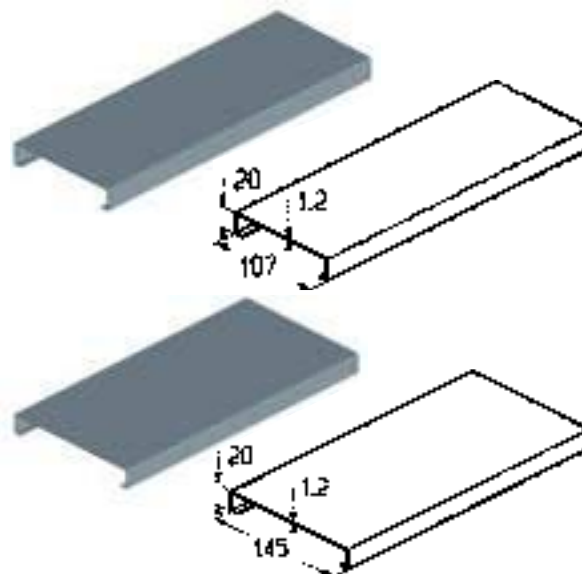
Предназначен для установки совместно с угловым профилем (PRG32LL/R, PRG02LL/R).
Входит в состав комплекта встроенного монтажа FWO100.
Используется в гаражных воротах низкого типа монтаж и серии Standard.

Состав комплекта:

- профиль воротный арт. PRD33 (боковой нащельник 2 шт.);
- профиль воротный арт. PRD34 (верхний нащельник 1 шт.).

Материал.....Алюминий
Покрытие.....Полимерное
Цвет.....RAL 9016, RAL 8014, ADS703
Единица измеренияк-т
Норма поставки, к-т 1

Арт.	Код	Розничная цена, евро без НДС
FWO100C	402950900	119,00



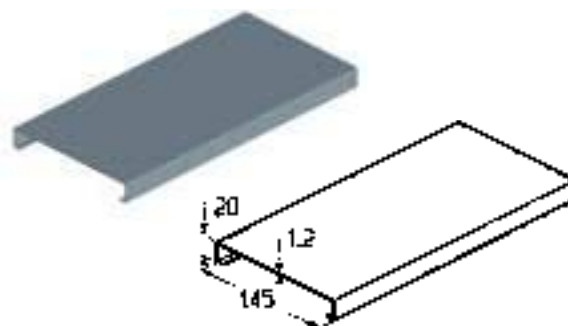
Комплект нащельников

Предназначен для установки совместно с угловым профилем (PRG32LL/R, PRG02LL/R).
Входит в состав комплекта встроенного монтажа FWO145.
Используется в гаражных воротах низкого типа монтаж и серии Standard.

Состав комплекта: профиль воротный арт. PRD34 (верхний нащельник 1 шт., боковой нащельник 2 шт.).

Материал.....Алюминий
Покрытие.....Полимерное
Цвет.....RAL 9016, RAL 8014, ADS703
Единица измеренияк-т
Норма поставки, к-т..... 1

Арт.	Код	Розничная цена, евро без НДС
FWO145C	402951300	138,00

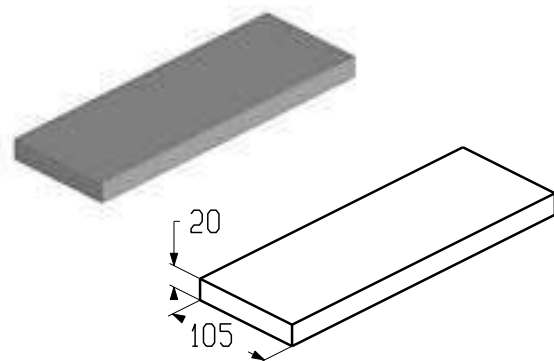


Утеплитель

Предназначен для установки совместно с комплектом нащельников (FWO100C).

Материал..... вспененный полиэтилен
Вес, кг/м0,07
Единица измерениям
Норма поставки, м50

Арт.	Код	Розничная цена, евро без НДС
FWO100H	402951700	6,30



ДОПОЛНИТЕЛЬНАЯ КОМПЛЕКТАЦИЯ

Уплотнитель

Предназначен для установки совместно с комплектом нащельников (FWO145C).

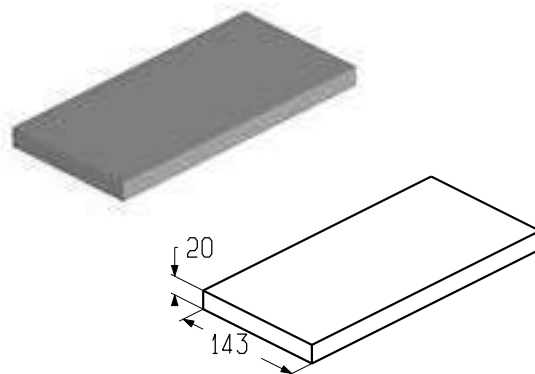
Материал вспененный полиэтилен

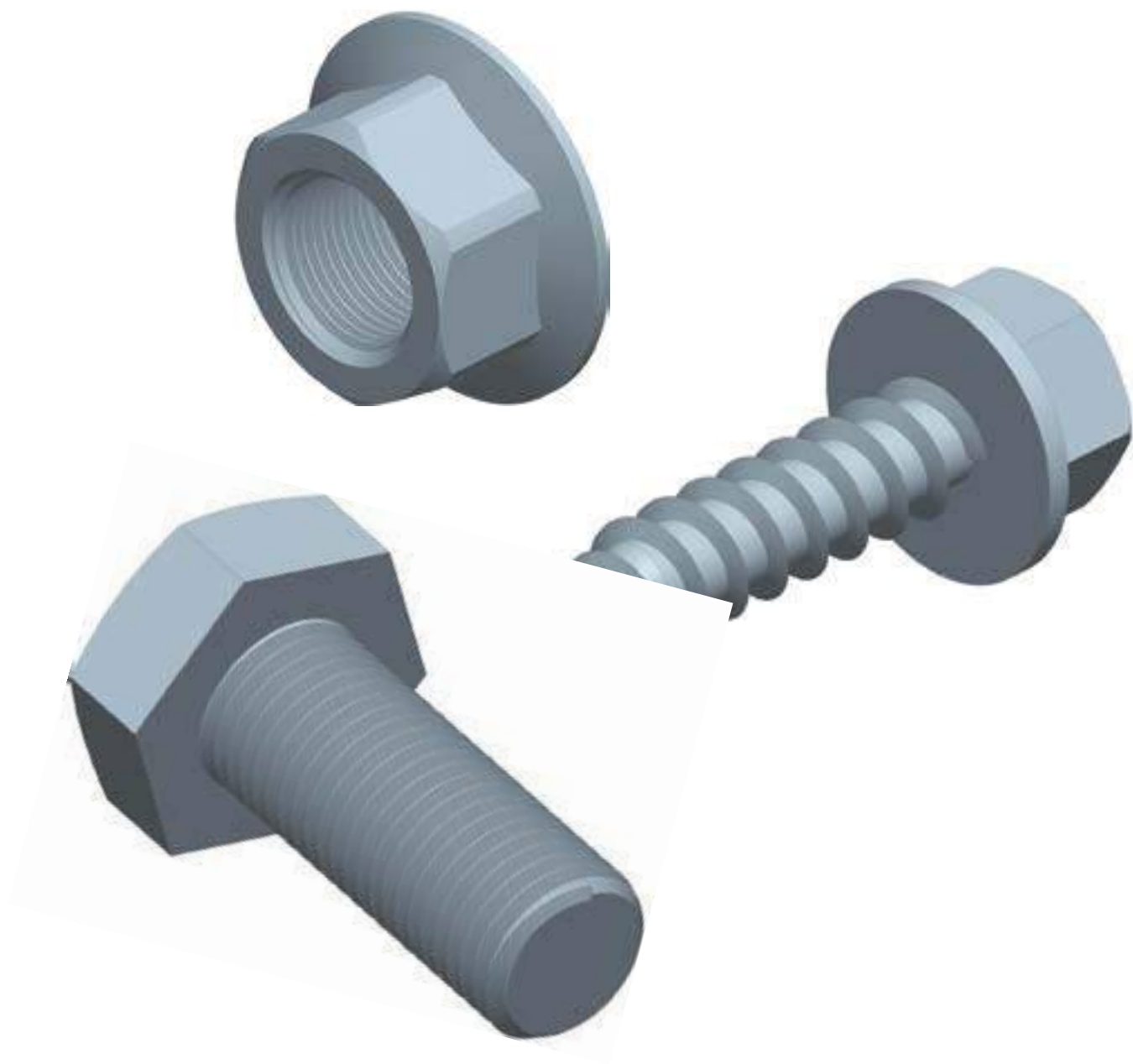
Вес, кг/м 0,1

Единица измерения м

Норма поставки, м 50

Арт.	Код	Розничная цена, евро без НДС
FWO145H	402951800	8,50

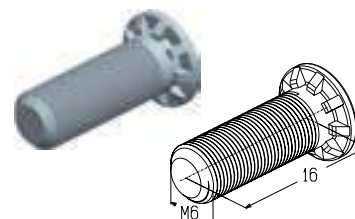




Болт М6×16

Резьба М6
 Длина, мм 16
 Материал оцинкованная сталь
 Вес, кг/шт. 0,007
 Единица измерения шт.
 Норма поставки, шт. 5000

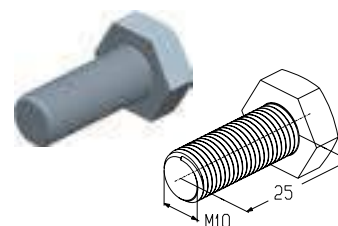
Арт.	Код	Розничная цена, евро с НДС
M6x16BP	408320100	0,20



Болт М10×25

Резьба М10
 Длина, мм 25
 Материал оцинкованная сталь
 Вес, кг/шт. 0,025
 Единица измерения шт.
 Норма поставки, шт. 1000

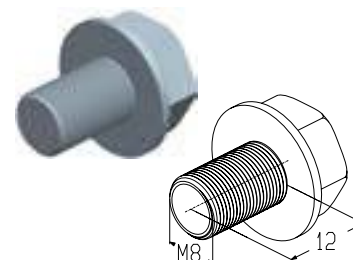
Арт.	Код	Розничная цена, евро с НДС
M10x25B	408320200	0,50



Болт

Резьба М8
 Длина, мм 12
 Материал оцинкованная сталь
 Вес, кг/шт. 0,01
 Единица измерения шт.
 Норма поставки, шт. 1800

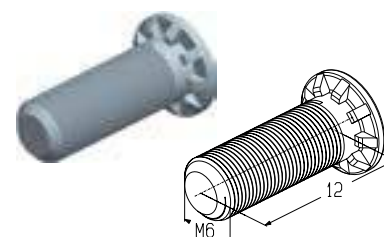
Арт.	Код	Розничная цена, евро с НДС
M8x12B	408320300	0,25



Пресс-болт

Резьба М6
 Длина, мм 12
 Материал оцинкованная сталь
 Вес, кг/шт. 0,024
 Единица измерения шт.
 Норма поставки, шт. 10000

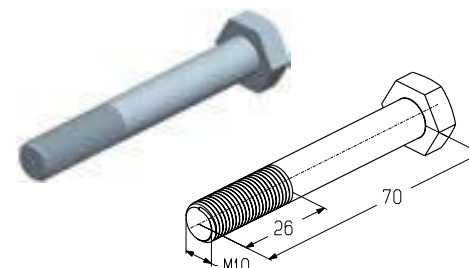
Арт.	Код	Розничная цена, евро с НДС
M6x12BP	408320500	0,10



Болт

Резьба М10
 Длина, мм 70
 Материал оцинкованная сталь
 Вес, кг/шт. 0,05
 Единица измерения шт.
 Норма поставки, шт. 200

Арт.	Код	Розничная цена, евро с НДС
M10x70B	408320600	1,00

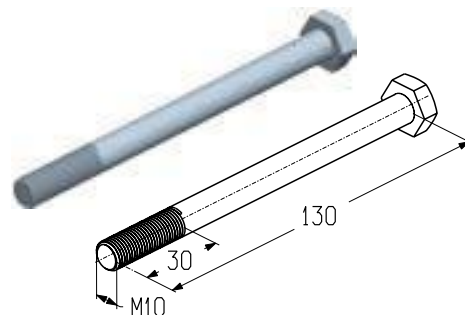


МЕТИЗЫ

Болт М10х130

Резьба М10
 Длина, мм 130
 Материал оцинкованная сталь
 Вес, кг/шт. 0,04
 Единица измерения шт.
 Норма поставки, шт. 260

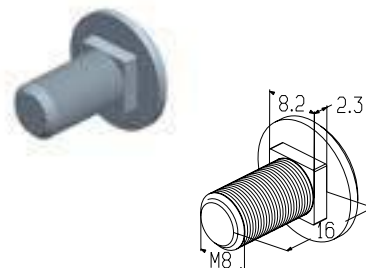
Арт.	Код	Розничная цена, евро с НДС
M10x130B	408320700	0,90



Болт М6х12

Резьба М8
 Длина, мм 16
 Материал оцинкованная сталь
 Вес, кг/шт. 0,006
 Единица измерения шт.
 Норма поставки, шт. 2500

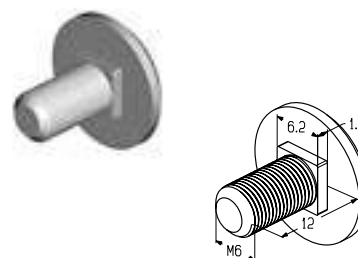
Арт.	Код	Материал	Норма поставки, шт.	Розничная цена, евро с НДС
M8x16BKL	408320800	Оцинкованная сталь	7500	0,15
M8x16BKL-SS	408310400	Нержавеющая сталь	6000	0,55



Болт

Резьба М6
 Длина, мм 12
 Материал оцинкованная сталь
 Вес, кг/шт. 0,008
 Единица измерения шт.
 Норма поставки, шт. 3000

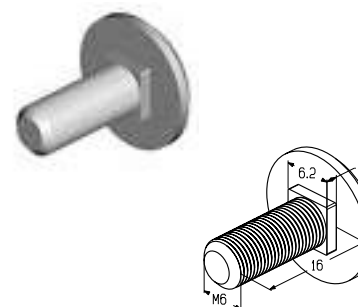
Арт.	Код	Розничная цена, евро с НДС
M6x12BKL	408321000	0,15



Болт

Резьба М6
 Длина, мм 16
 Материал оцинкованная сталь
 Вес, кг/шт. 0,006
 Единица измерения шт.
 Норма поставки, шт. 3500

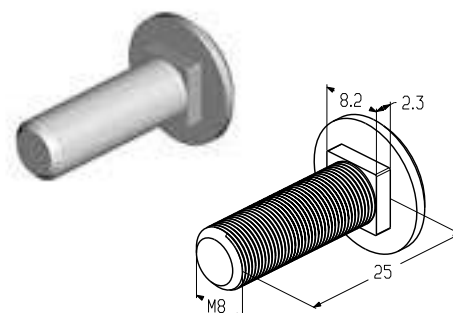
Арт.	Код	Розничная цена, евро с НДС
M6x16BKL	408310200	0,15



Болт

Резьба М8
 Длина, мм 25
 Материал оцинкованная сталь
 Вес, кг/шт. 0,01
 Единица измерения шт.
 Норма поставки, шт. 1500

Арт.	Код	Розничная цена, евро с НДС
M8x25BKL	408310500	0,25



Гайка

Резьба M3
 Материал оцинкованная сталь
 Вес, кг/шт. 0,0004
 Единица измерения шт.
 Норма поставки, шт. 1000

Арт.	Код	Розничная цена, евро с НДС
M3N	408120000	0,10


Гайка M6

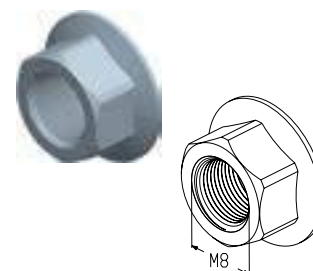
Резьба M6
 Вес, кг/шт. 0,003
 Единица измерения шт.

Арт.	Код	Материал	Норма поставки, шт.	Розничная цена, евро с НДС
M6N	408120100	Оцинкованная сталь	7500	0,10
M6N-SS	408110000	Нержавеющая сталь	6000	0,20


Гайка M 8

Резьба M8
 Материал оцинкованная сталь
 Вес, кг/шт. 0,007
 Единица измерения шт.
 Норма поставки, шт. 3500

Арт.	Код	Розничная цена, евро с НДС
M8N	408120200	0,10


Гайка M10

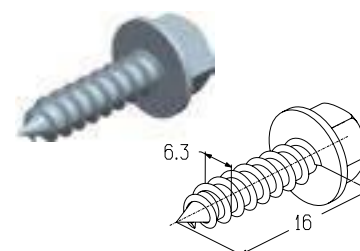
Резьба M10
 Материал оцинкованная сталь
 Вес, кг/шт. 0,013
 Единица измерения шт.
 Норма поставки, шт. 2000

Арт.	Код	Розничная цена, евро с НДС
M10N	408120300	0,20


Винт самонарезающий 6.3x16

Диаметр, мм 6,3
 Длина, мм 16
 Материал оцинкованная сталь
 Вес, кг/шт. 0,006
 Единица измерения шт.
 Норма поставки, шт. 3500

Арт.	Код	Розничная цена, евро с НДС
6,3x16S	408020100	0,10

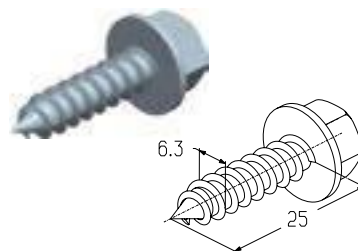


МЕТИЗЫ

Винт самонарезающий 6.3×25

Диаметр, мм6,3
 Длина, мм25
 Материал нержавеющая сталь
 Вес, кг/шт.0,008
 Единица измеренияшт.
 Норма поставки, шт.2000

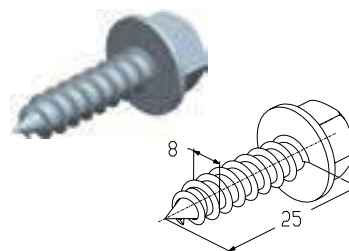
Арт.	Код	Розничная цена, евро с НДС
6,3×25S-SS	408010000	1,00



Винт самонарезающий

Диаметр, мм8
 Длина, мм25
 Материал оцинкованная сталь
 Вес, кг/шт.0,0014
 Единица измеренияшт.
 Норма поставки, шт.1000

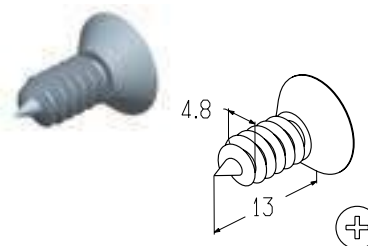
Арт.	Код	Розничная цена, евро с НДС
8×25S	408020200	0,20



Винт самонарезающий DIN7982

Диаметр, мм4,8
 Длина, мм9,5
 Материал оцинкованная сталь
 Вес, кг/шт.0,25
 Единица измеренияшт.
 Норма поставки, шт.13000

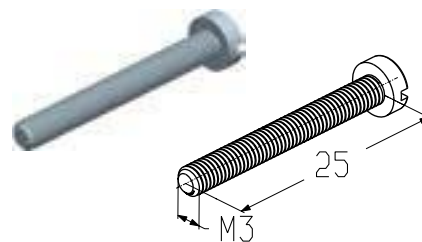
Арт.	Код	Розничная цена, евро с НДС
4,8×9,5SDX	408620000	0,20



Винт

Резьба M3
 Длина, мм25
 Материал оцинкованная сталь
 Вес, кг/шт.0,001
 Единица измеренияшт.
 Норма поставки, шт.2000

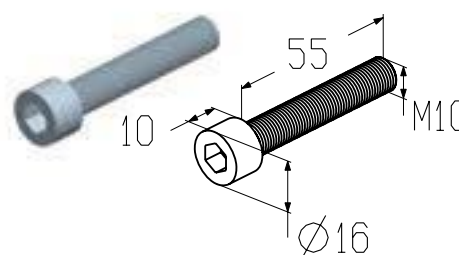
Арт.	Код	Розничная цена, евро с НДС
M3×25S	408020400	0,10



Винт DIN912

Резьба M10
 Длина, мм55
 Материал оцинкованная сталь
 Вес, кг/шт.0,02
 Единица измеренияшт.
 Норма поставки, шт.1000

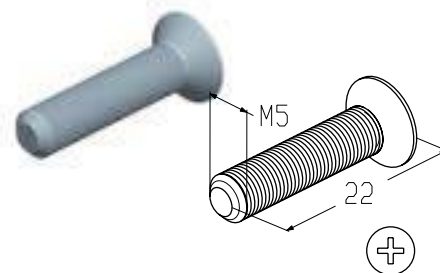
Арт.	Код	Розничная цена, евро с НДС
M10×55SCOL	408020800	0,55



Винт DIN965

Резьба M5
 Длина, мм 22
 Материал оцинкованная сталь
 Вес, кг/шт. 0,003
 Единица измерения шт.
 Норма поставки, шт. 800

Арт.	Код	Розничная цена, евро с НДС
M5x22SDX	408020900	0,10





РЕМОНТНЫЕ УЗЛЫ

ПОЛОТНО ВОРОТ БЕЗ КАЛИТКИ

Полотно воротное

Тип ворот:

- гаражные ворота Classic с торсионными пружинами без калитки всех типов монтажа;
- гаражные ворота Classic с пружинами растяжения;
- промышленные ворота ProPlus без калитки всех типов монтажа.

Состав: сэндвич-панели с боковыми накладками, верхний и нижний концевой профиль, нижняя уплотнительная вставка, упоры нижние.

Единица измеренияшт.



Арт.	Тип полотна	Цвет*	Розничная цена, евро с НДС/м ²	
			Шириной до 5 м	Шириной свыше 5 м
GLG-3	«Микроволна», «S-гофр»	RAL 9016, 8014, 9006, 5010, 1015, 3004, 6005, 8017, 7016, ADS703**	113,00	128,00
	«L-гофр»	RAL 9016, 8014, 7016, ADS703**	113,00	128,00
	«M-гофр»	RAL 9016, 8014, 7016**	113,00	128,00
	«S-гофр», «M-гофр» и «L-гофр»	Золотой дуб, Темный дуб, Вишня	147,00	167,00
	«Микроволна», «S-гофр», «M-гофр» и «L-гофр»	Другой цвет по каталогу RAL	+25% к стоимости стандартного цвета	
GLG-4	«Филенка»	RAL 9016, 8014**	130,00	—
		Золотой дуб, Темный дуб	169,00	—
		Другой цвет по каталогу RAL	+25% к стоимости стандартного цвета	

* Указанные цвета имеют близкое соответствие шкале RAL.

** Стандартные цвета.

Панель нижняя

Тип ворот:

- гаражные ворота Classic с торсионными пружинами без калитки всех типов монтажа;
- гаражные ворота Classic с пружинами растяжения;
- промышленные ворота ProPlus без калитки всех типов монтажа.

Состав: нижняя сэндвич-панель с боковыми накладками, нижний концевой профиль, нижняя уплотнительная вставка, упоры нижние.

Единица измеренияшт.



Арт.	Тип полотна	Цвет*	Розничная цена, евро с НДС/м	
			Шириной до 5 м	Шириной свыше 5 м
LPU-27	«Микроволна», «S-гофр»	RAL 9016, 8014, 9006, 5010, 1015, 3004, 6005, 8017, 7016, ADS703**	76,00	91,00
	«L-гофр»	RAL 9016, 8014, 7016, ADS703**	76,00	91,00
	«M-гофр»	RAL 9016, 8014, 7016**	76,00	91,00
	«S-гофр», «M-гофр» и «L-гофр»	Золотой дуб, Темный дуб, Вишня	99,00	119,00
	«Микроволна», «S-гофр», «M-гофр» и «L-гофр»	Другой цвет по каталогу RAL	+25% к стоимости стандартного цвета	
LPF-1	«Филенка»	RAL 9016, 8014**	87,00	—
		Золотой дуб, Темный дуб	114,00	—
		Другой цвет по каталогу RAL	+25% к стоимости стандартного цвета	

* Указанные цвета имеют близкое соответствие шкале RAL.

** Стандартные цвета.

Панель промежуточная

Тип ворот:

- гаражные ворота Classic с торсионными пружинами без калитки всех типов монтажа;
- гаражные ворота Classic с пружинами растяжения;
- промышленные ворота ProPlus без калитки всех типов монтажа.

Состав: промежуточная сэндвич-панель с боковыми накладками.

Единица измеренияшт.



Арт.	Тип полотна	Цвет*	Розничная цена, евро с НДС/м	
			Шириной до 5 м	Шириной свыше 5 м
LPU-28	«Микроволна», «S-гофр»	RAL 9016, 8014, 9006, 5010, 1015, 3004, 6005, 8017, 7016, ADS703**	62,00	76,00
	«L-гофр»	RAL 9016, 8014, 7016, ADS703**	62,00	76,00
	«M-гофр»	RAL 9016, 8014, 7016**	62,00	76,00
	«S-гофр», «M-гофр» и «L-гофр»	Золотой дуб, Темный дуб, Вишня	81,00	99,00
	«Микроволна», «S-гофр», «M-гофр» и «L-гофр»	Другой цвет по каталогу RAL	+25% к стоимости стандартного цвета	
LPF-2	«Филенка»	RAL 9016, 8014**	71,00	—
		Золотой дуб, Темный дуб	93,00	—
		Другой цвет по каталогу RAL	+25% к стоимости стандартного цвета	—

* Указанные цвета имеют близкое соответствие шкале RAL.

** Стандартные цвета.

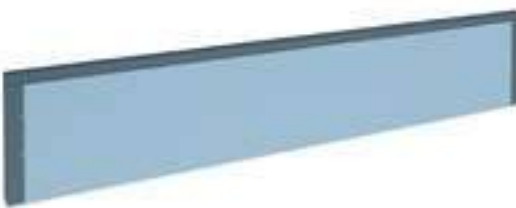
Панель верхняя

Тип ворот:

- гаражные ворота Classic с торсионными пружинами без калитки всех типов монтажа;
- гаражные ворота Classic с пружинами растяжения;
- промышленные ворота ProPlus без калитки всех типов монтажа.

Состав: верхняя сэндвич-панель с боковыми накладками, верхний концевой профиль, верхний уплотнитель (Classic высокий тип монтажа, ProPlus).

Единица измеренияшт.



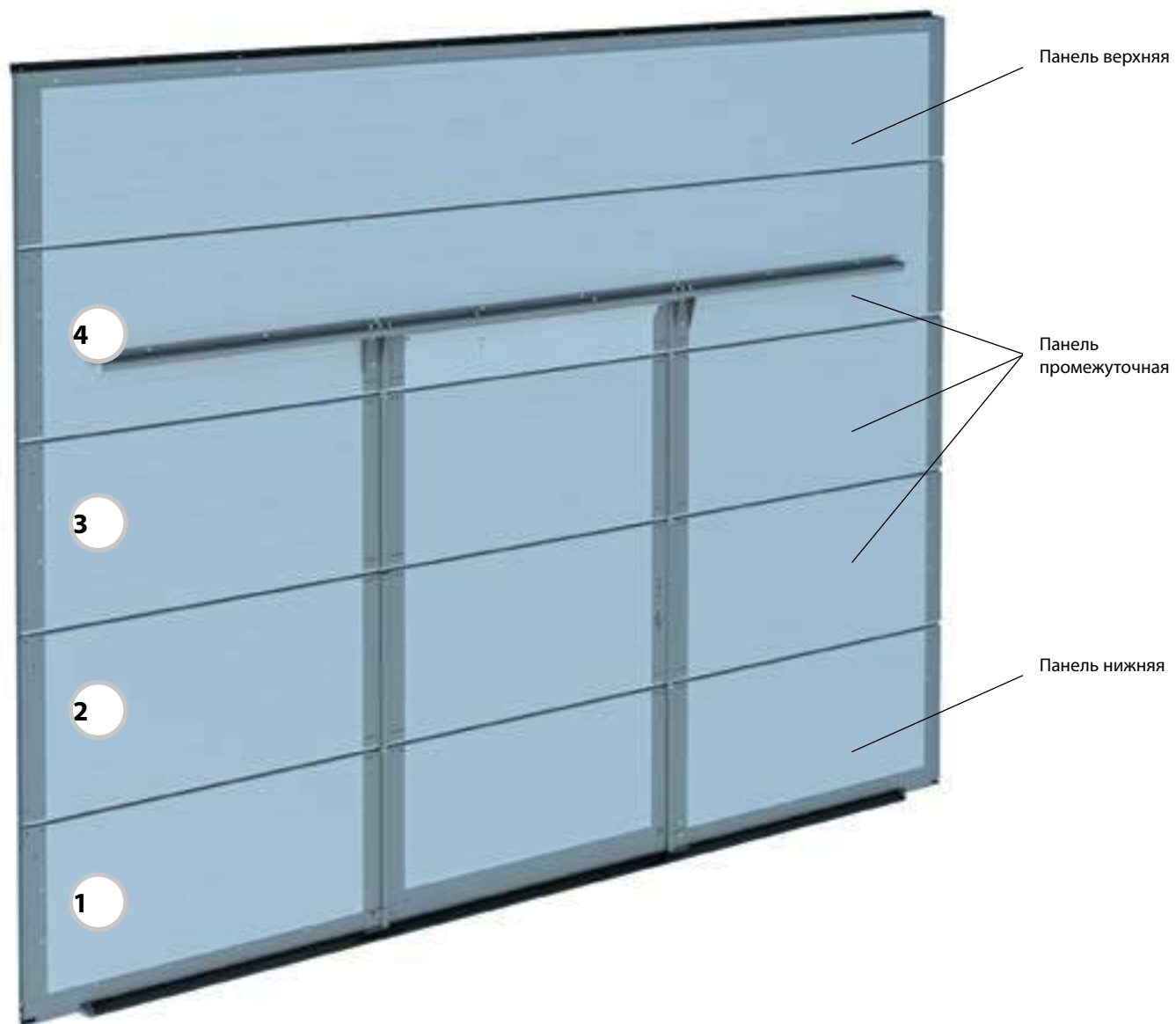
Арт.	Тип полотна	Цвет*	Розничная цена, евро с НДС/м	
			Шириной до 5 м	Шириной свыше 5 м
LPU-29	«Микроволна», «S-гофр»	RAL 9016, 8014, 9006, 5010, 1015, 3004, 6005, 8017, 7016, ADS703**	69,00	83,00
	«L-гофр»	RAL 9016, 8014, 7016, ADS703**	69,00	83,00
	«M-гофр»	RAL 9016, 8014, 7016**	69,00	83,00
	«S-гофр», «M-гофр» и «L-гофр»	Золотой дуб, Темный дуб, Вишня	90,00	108,00
	«Микроволна», «S-гофр», «M-гофр» и «L-гофр»	Другой цвет по каталогу RAL	+25% к стоимости стандартного цвета	
LPF-3	«Филенка»	RAL 9016, 8014**	79,00	—
		Золотой дуб, Темный дуб	103,00	—
		Другой цвет по каталогу RAL	+25% к стоимости стандартного цвета	—

* Указанные цвета имеют близкое соответствие шкале RAL.

** Стандартные цвета.

ПОЛОТНО ВОРОТ С КАЛИТКОЙ

ТИПОВАЯ КОНСТРУКЦИЯ ПОЛОТНА ВОРОТ СО ВСТРОЕННОЙ КАЛИТКОЙ
(НА ПРИМЕРЕ КАЛИТКИ С ПЛОСКИМ ПОРОГОМ С ПРАВЫМ ОТКРЫВАНИЕМ)



07

Полотно воротное

Тип ворот:

- гаражные ворота Classic с торсионными пружинами всех типов монтажа;
- промышленные ворота ProPlus всех типов монтажа.

Тип калитки: с плоским порогом 20 мм, с низким порогом 100 мм, со стандартным порогом 145 мм.

Состав: сэндвич-панели с боковыми накладками, верхний и нижний концевой профиль, нижняя уплотнительная вставка, комплект калиточных профилей и замок калитки, усиливающие профили калитки, упоры нижние.

Единица измеренияшт.

Арт.	Тип полотна	Цвет*	Применение	Розничная цена, евро с НДС/м ²
GLG-1	«Микроволна», «S-гофр»	RAL 9016, 8014, 9006, 5010, 1015, 3004, 6005, 8017, 7016, ADS703**	Для ворот с правой калиткой	198,00
	«S-гофр»	Золотой дуб, Темный дуб, Вишня		258,00
	«Микроволна», «S-гофр»	Другой цвет по каталогу RAL		+25% к стоимости стандартного цвета
GLG-2	«Микроволна», «S-гофр»	RAL 9016, 8014, 9006, 5010, 1015, 3004, 6005, 8017, 7016, ADS703**	Для ворот с левой калиткой	198,00
	«S-гофр»	Золотой дуб, Темный дуб, Вишня		258,00
	«Микроволна», «S-гофр»	Другой цвет по каталогу RAL		+25% к стоимости стандартного цвета

* Указанные цвета имеют близкое соответствие шкале RAL.

** Стандартные цвета.



Калитка с плоским порогом 20 мм



Калитка с низким порогом 100 мм



Калитка со стандартным порогом 145 мм

ПОЛОТНО ВОРОТ С КАЛИТКОЙ

Панель нижняя

Тип ворот:

- гаражные ворота Classic с торсионными пружинами всех типов монтажа;
- промышленные ворота ProPlus всех типов монтажа.

Тип калитки: с плоским порогом 20 мм, с низким порогом 100 мм, со стандартным порогом 145 мм.

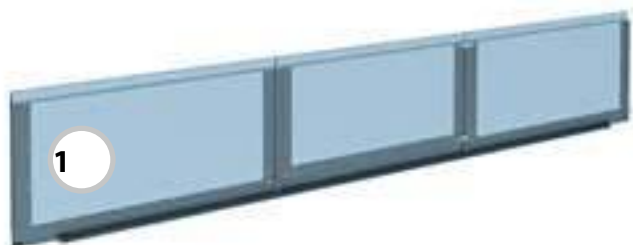
Состав: нижняя сэндвич-панель с боковыми накладками, нижний концевой профиль, нижняя уплотнительная вставка, комплект калиточных профилей для нижней панели, нижний усиливающий профиль калитки, упоры нижние.

Единица измеренияшт.

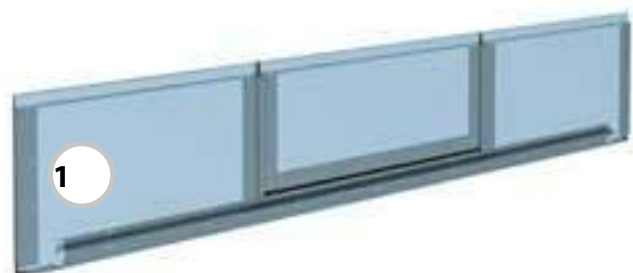
Арт.	Тип полотна	Цвет*	Применение	Розничная цена, евро с НДС/м
LPU-1	«Микроволна», «S-гофр»	RAL 9016, 8014, 9006, 5010, 1015, 3004, 6005, 8017, 7016, ADS703**	Для ворот с правой калиткой	133,00
	«S-гофр»	Золотой дуб, Темный дуб, Вишня		173,00
	«Микроволна», «S-гофр»	Другой цвет по каталогу RAL		+25% к стоимости стандартного цвета
LPU-15	«Микроволна», «S-гофр»	RAL 9016, 8014, 9006, 5010, 1015, 3004, 6005, 8017, 7016, ADS703**	Для ворот с левой калиткой	133,00
	«S-гофр»	Золотой дуб, Темный дуб, Вишня		173,00
	«Микроволна», «S-гофр»	Другой цвет по каталогу RAL		+25% к стоимости стандартного цвета

* Указанные цвета имеют близкое соответствие шкале RAL.

** Стандартные цвета.



Калитка с плоским порогом 20 мм



Калитка с низким порогом 100 мм



Калитка со стандартным порогом 145 мм

Панель нижняя

Тип ворот:

- гаражные ворота Classic с торсионными пружинами всех типов монтажа;
- промышленные ворота ProPlus всех типов монтажа.

Тип калитки: с плоским порогом 20 мм, с низким порогом 100 мм, со стандартным порогом 145 мм.

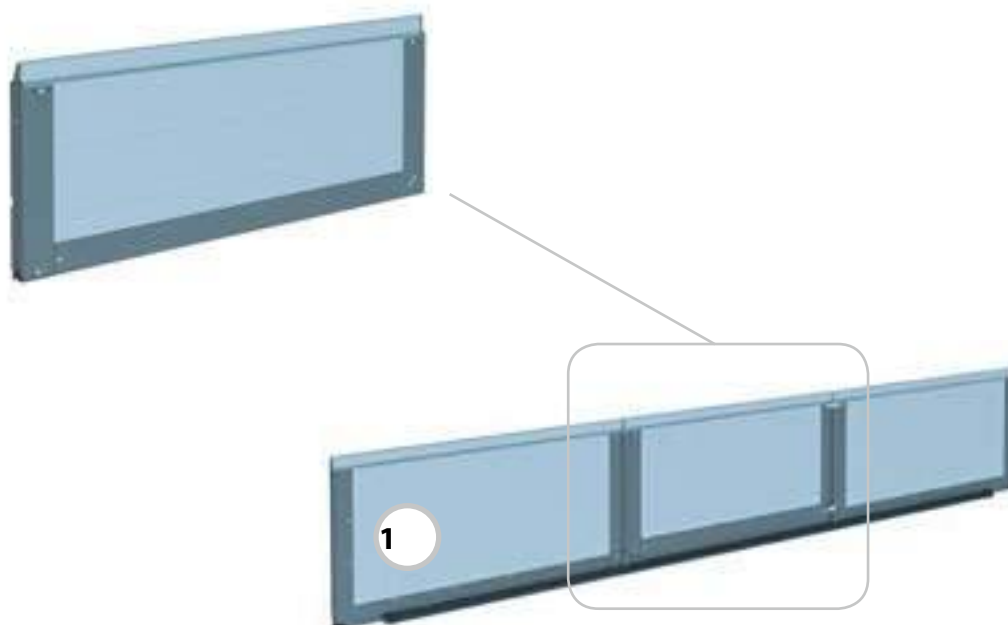
Состав: нижняя панель калитки с установленными профилями калитки, нижний усиливающий профиль.

Единица измеренияшт.

Арт.	Тип полотна	Цвет*	Применение	Розничная цена, евро с НДС/шт.
LPU-3	«Микроволна», «S-гофр»	RAL 9016, 8014, 9006, 5010, 1015, 3004, 6005, 8017, 7016, ADS703**	Для ворот с правой калиткой	239,00
	«S-гофр»	Золотой дуб, Темный дуб, Вишня		311,00
	«Микроволна», «S-гофр»	Другой цвет по каталогу RAL		+25% к стоимости стандартного цвета
LPU-17	«Микроволна», «S-гофр»	RAL 9016, 8014, 9006, 5010, 1015, 3004, 6005, 8017, 7016, ADS703**	Для ворот с левой калиткой	239,00
	«S-гофр»	Золотой дуб, Темный дуб, Вишня		311,00
	«Микроволна», «S-гофр»	Другой цвет по каталогу RAL		+25% к стоимости стандартного цвета

* Указанные цвета имеют близкое соответствие шкале RAL.

** Стандартные цвета.



ПОЛОТНО ВОРОТ С КАЛИТКОЙ

Панель нижняя

Тип ворот:

- гаражные ворота Classic с торсионными пружинами всех типов монтажа;
- промышленные ворота ProPlus всех типов монтажа.

Тип калитки: с плоским порогом 20 мм, с низким порогом 100 мм, со стандартным порогом 145 мм.

Состав: нижняя панель калитки с установленными профилями калитки, нижний усиливающий профиль.

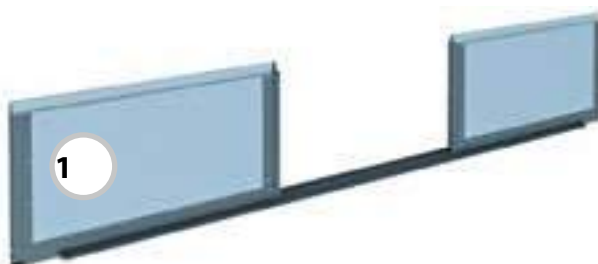
Единица измеренияшт.

Арт.	Тип полотна	Цвет*	Применение	Розничная цена, евро с НДС/шт.
LPU-30	«Микроволна», «S-гофр»	RAL 9016, 8014, 9006, 5010, 1015, 3004, 6005, 8017, 7016, ADS703**	Для ворот с правой калиткой	(W-0,9)×133,00€/м
	«S-гофр»	Золотой дуб, Темный дуб, Вишня		(W-0,9)×173,00€/м
	«Микроволна», «S-гофр»	Другой цвет по каталогу RAL		+25% к стоимости стандартного цвета
LPU-40	«Микроволна», «S-гофр»	RAL 9016, 8014, 9006, 5010, 1015, 3004, 6005, 8017, 7016, ADS703**	Для ворот с левой калиткой	(W-0,9)×133,00€/м
	«S-гофр»	Золотой дуб, Темный дуб, Вишня		(W-0,9)×173,00€/м
	«Микроволна», «S-гофр»	Другой цвет по каталогу RAL		+25% к стоимости стандартного цвета

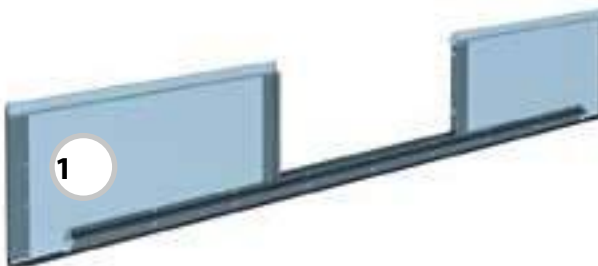
W — ширина ворот, м

* Указанные цвета имеют близкое соответствие шкале RAL.

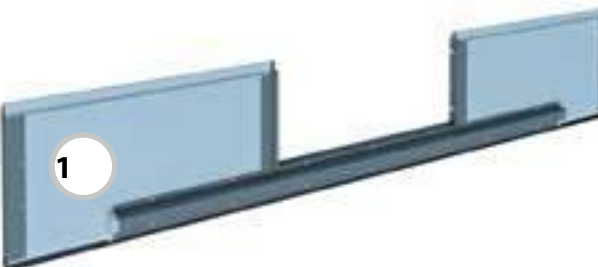
** Стандартные цвета.



Калитка с плоским порогом 20 мм



Калитка с низким порогом 100 мм



Калитка со стандартным порогом 145 мм

Панель промежуточная

Тип ворот:

- гаражные ворота Classic с торсионными пружинами всех типов монтажа;
- промышленные ворота ProPlus всех типов монтажа.

Тип калитки: с плоским порогом 20 мм, с низким порогом 100 мм, со стандартным порогом 145 мм.

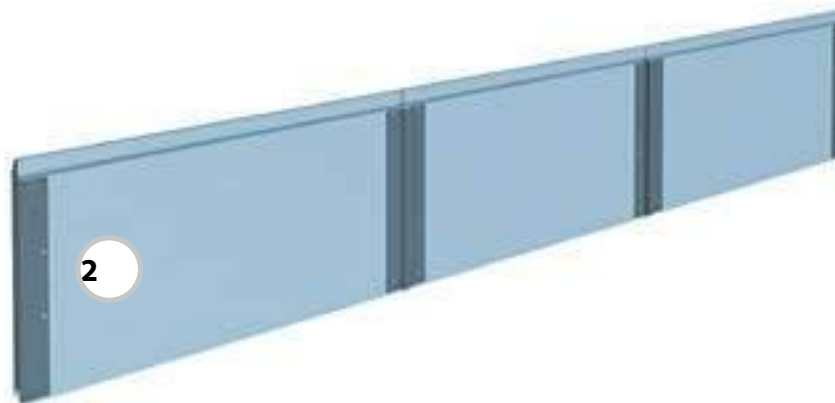
Состав: промежуточная калиточная панель с установленными калиточными профилями, замок калитки.

Единица измеренияшт.

Арт.	Тип полотна	Цвет*	Применение	Розничная цена, евро с НДС/м
LPU-31	«Микроволна», «S-гофр»	RAL 9016, 8014, 9006, 5010, 1015, 3004, 6005, 8017, 7016, ADS703**	Для ворот с правой калиткой	109,00
	«S-гофр»	Золотой дуб, Темный дуб, Вишня		142,00
	«Микроволна», «S-гофр»	Другой цвет по каталогу RAL		+25% к стоимости стандартного цвета
LPU-41	«Микроволна», «S-гофр»	RAL 9016, 8014, 9006, 5010, 1015, 3004, 6005, 8017, 7016, ADS703**	Для ворот с левой калиткой	109,00
	«S-гофр»	Золотой дуб, Темный дуб, Вишня		142,00
	«Микроволна», «S-гофр»	Другой цвет по каталогу RAL		+25% к стоимости стандартного цвета

* Указанные цвета имеют близкое соответствие шкале RAL.

** Стандартные цвета.



ПОЛОТНО ВОРОТ С КАЛИТКОЙ

Панель промежуточная

Тип ворот:

- гаражные ворота Classic с торсионными пружинами всех типов монтажа;
- промышленные ворота ProPlus всех типов монтажа.

Тип калитки: с плоским порогом 20 мм, с низким порогом 100 мм, со стандартным порогом 145 мм.

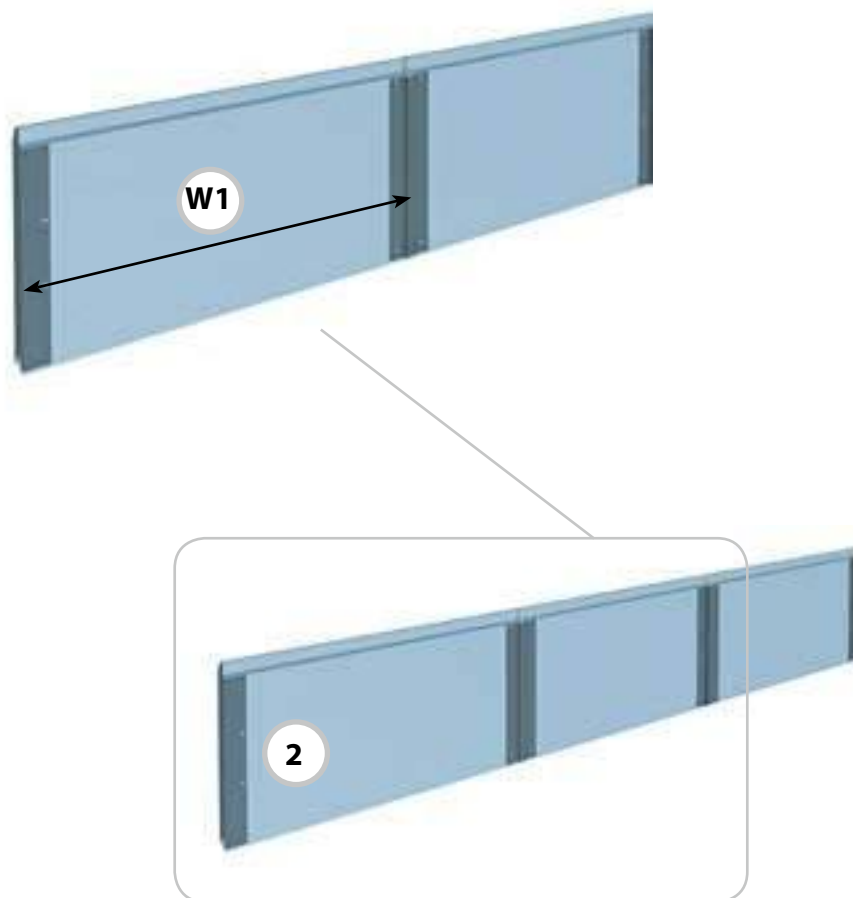
Состав: две промежуточные панели калитки с установленными калиточными профилями, замок калитки.

Единица измеренияшт.

Арт.	Тип полотна	Цвет*	Применение	Розничная цена, евро с НДС/шт.
LPU-5	«Микроволна», «S-гофр»	RAL 9016, 8014, 9006, 5010, 1015, 3004, 6005, 8017, 7016, ADS703**	Для ворот с правой калиткой	(W1×109,00€/м)+239,00€
	«S-гофр»	Золотой дуб, Темный дуб, Вишня		(W1×142,00€/м)+311,00€
	«Микроволна», «S-гофр»	Другой цвет по каталогу RAL		+25% к стоимости стандартного цвета
LPU-19	«Микроволна», «S-гофр»	RAL 9016, 8014, 9006, 5010, 1015, 3004, 6005, 8017, 7016, ADS703**	Для ворот с левой калиткой	(W1×109,00€/м)+239,00€
	«S-гофр»	Золотой дуб, Темный дуб, Вишня		(W1×142,00€/м)+311,00€
	«Микроволна», «S-гофр»	Другой цвет по каталогу RAL		+25% к стоимости стандартного цвета

* Указанные цвета имеют близкое соответствие шкале RAL.

** Стандартные цвета.



Панель промежуточная

Тип ворот:

- гаражные ворота Classic с торсионными пружинами всех типов монтажа;
- промышленные ворота ProPlus всех типов монтажа.

Тип калитки: с плоским порогом 20 мм, с низким порогом 100 мм, со стандартным порогом 145 мм

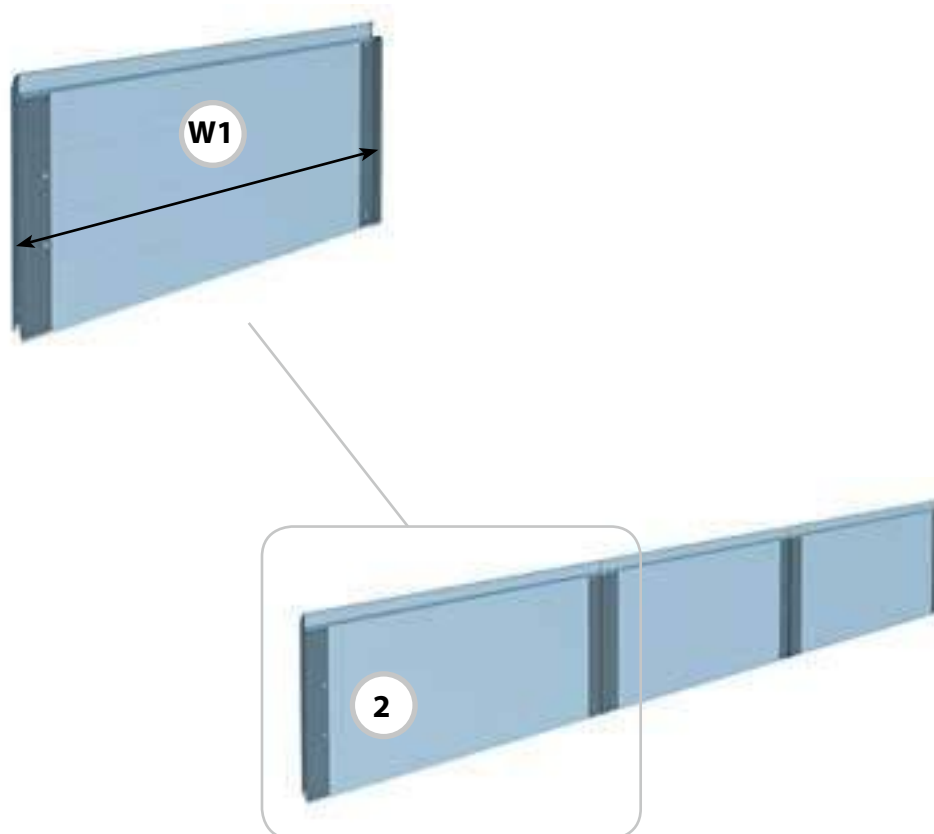
Состав: промежуточная панель калитки с установленными калиточными профилями.

Единица измеренияшт.

Арт.	Тип полотна	Цвет*	Применение	Розничная цена, евро с НДС/шт.
LPU-6	«Микроволна», «S-гофр»	RAL 9016, 8014, 9006, 5010, 1015, 3004, 6005, 8017, 7016, ADS703**	Для ворот с правой калиткой	84,00€/мxW1
	«S-гофр»	Золотой дуб, Темный дуб, Вишня		110,00€/мxW1
	«Микроволна», «S-гофр»	Другой цвет по каталогу RAL		+25% к стоимости стандартного цвета
LPU-20	«Микроволна», «S-гофр»	RAL 9016, 8014, 9006, 5010, 1015, 3004, 6005, 8017, 7016, ADS703**	Для ворот с левой калиткой	84,00€/мxW1
	«S-гофр»	Золотой дуб, Темный дуб, Вишня		110,00€/мxW1
	«Микроволна», «S-гофр»	Другой цвет по каталогу RAL		+25% к стоимости стандартного цвета

* Указанные цвета имеют близкое соответствие шкале RAL.

** Стандартные цвета.



ПОЛОТНО ВОРОТ С КАЛИТКОЙ

Панель промежуточная

Тип ворот:

- гаражные ворота Classic с торсионными пружинами всех типов монтажа;
- промышленные ворота ProPlus всех типов монтажа.

Тип калитки: с плоским порогом 20 мм, с низким порогом 100 мм, со стандартным порогом 145 мм

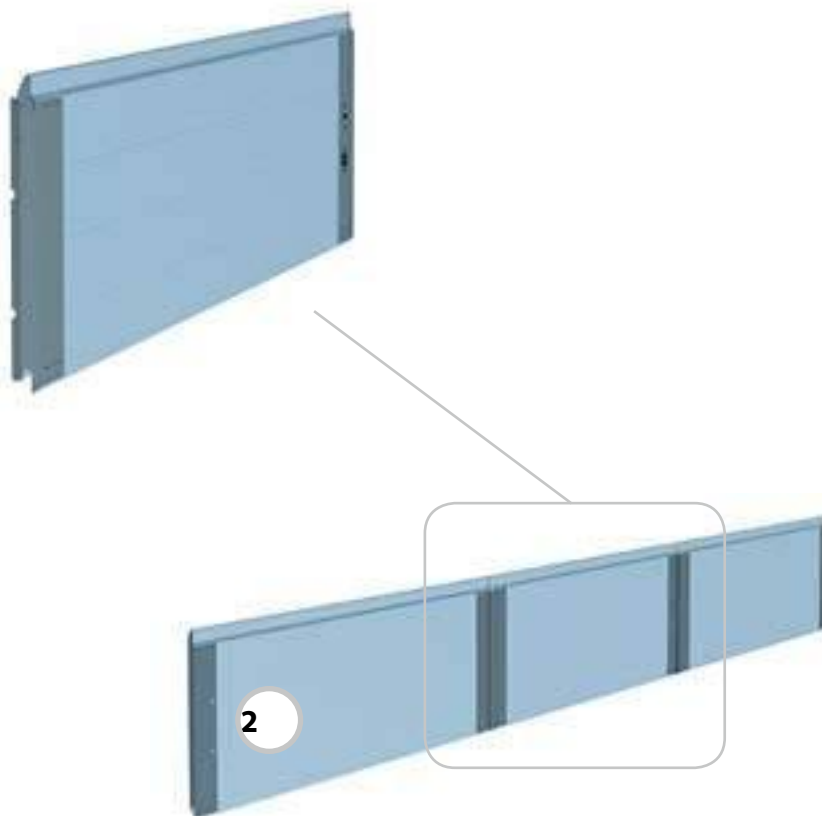
Состав: промежуточная панель калитки с установленными калиточными профилями, замок калитки.

Единица измеренияшт.

Арт.	Тип полотна	Цвет*	Применение	Розничная цена, евро с НДС/шт.
LPU-7	«Микроволна», «S-гофр»	RAL 9016, 8014, 9006, 5010, 1015, 3004, 6005, 8017, 7016, ADS703**	Для ворот с правой калиткой	343,00
	«S-гофр»	Золотой дуб, Темный дуб, Вишня		446,00
	«Микроволна», «S-гофр»	Другой цвет по каталогу RAL		+25% к стоимости стандартного цвета
LPU-21	«Микроволна», «S-гофр»	RAL 9016, 8014, 9006, 5010, 1015, 3004, 6005, 8017, 7016, ADS703**	Для ворот с левой калиткой	343,00
	«S-гофр»	Золотой дуб, Темный дуб, Вишня		446,00
	«Микроволна», «S-гофр»	Другой цвет по каталогу RAL		+25% к стоимости стандартного цвета

* Указанные цвета имеют близкое соответствие шкале RAL.

** Стандартные цвета.



Панель промежуточная

Тип ворот:

- гаражные ворота Classic с торсионными пружинами всех типов монтажа;
- промышленные ворота ProPlus всех типов монтажа.

Тип калитки: с плоским порогом 20 мм, с низким порогом 100 мм, со стандартным порогом 145 мм

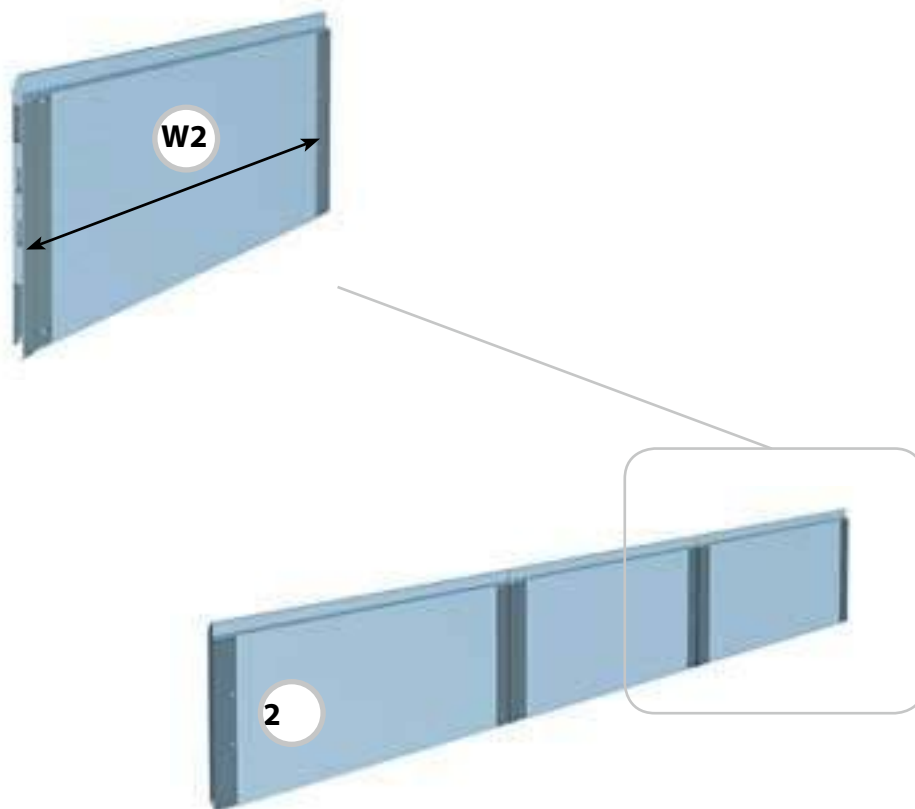
Состав: промежуточная панель калитки с установленными калиточными профилями.

Единица измеренияшт.

Арт.	Тип полотна	Цвет*	Применение	Розничная цена, евро с НДС/шт.
LPU-8	«Микроволна», «S-гофр»	RAL 9016, 8014, 9006, 5010, 1015, 3004, 6005, 8017, 7016, ADS703**	Для ворот с правой калиткой	84,00€/мхW2
	«S-гофр»	Золотой дуб, Темный дуб, Вишня		110,00€/мхW2
	«Микроволна», «S-гофр»	Другой цвет по каталогу RAL		+25% к стоимости стандартного цвета
LPU-22	«Микроволна», «S-гофр»	RAL 9016, 8014, 9006, 5010, 1015, 3004, 6005, 8017, 7016, ADS703**	Для ворот с левой калиткой	84,00€/мхW2
	«S-гофр»	Золотой дуб, Темный дуб, Вишня		110,00€/мхW2
	«Микроволна», «S-гофр»	Другой цвет по каталогу RAL		+25% к стоимости стандартного цвета

* Указанные цвета имеют близкое соответствие шкале RAL.

** Стандартные цвета.



ПОЛОТНО ВОРОТ С КАЛИТКОЙ

Панель промежуточная

Тип ворот:

- гаражные ворота Classic с торсионными пружинами всех типов монтажа;
- промышленные ворота ProPlus всех типов монтажа.

Тип калитки: с плоским порогом 20 мм, с низким порогом 100 мм, со стандартным порогом 145 мм.

Состав: промежуточная калиточная панель с установленными калиточными профилями.

Единица измеренияшт.

Арт.	Тип полотна	Цвет*	Применение	Розничная цена, евро с НДС/м
LPU-32	«Микроволна», «S-гофр»	RAL 9016, 8014, 9006, 5010, 1015, 3004, 6005, 8017, 7016, ADS703**	Для ворот с правой калиткой	84,00
	«S-гофр»	Золотой дуб, Темный дуб, Вишня		110,00
	«Микроволна», «S-гофр»	Другой цвет по каталогу RAL		+25% к стоимости стандартного цвета
LPU-42	«Микроволна», «S-гофр»	RAL 9016, 8014, 9006, 5010, 1015, 3004, 6005, 8017, 7016, ADS703**	Для ворот с левой калиткой	84,00
	«S-гофр»	Золотой дуб, Темный дуб, Вишня		110,00
	«Микроволна», «S-гофр»	Другой цвет по каталогу RAL		+25% к стоимости стандартного цвета

* Указанные цвета имеют близкое соответствие шкале RAL.

** Стандартные цвета.



Панель промежуточная

Тип ворот:

- гаражные ворота Classic с торсионными пружинами всех типов монтажа;
- промышленные ворота ProPlus всех типов монтажа.

Тип калитки: с плоским порогом 20 мм, с низким порогом 100 мм, со стандартным порогом 145 мм.

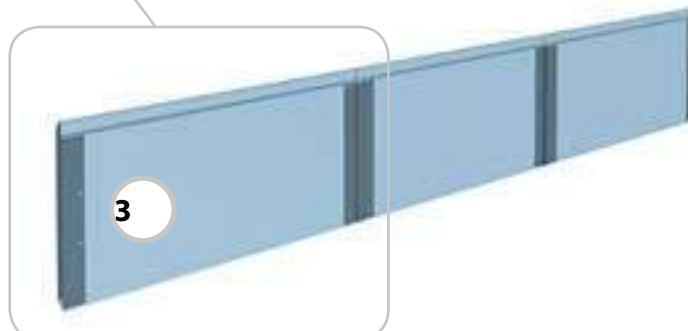
Состав: промежуточная панель калитки с установленными калиточными профилями.

Единица измеренияшт.

Арт.	Тип полотна	Цвет*	Применение	Розничная цена, евро с НДС/м
LPU-34	«Микроволна», «S-гофр»	RAL 9016, 8014, 9006, 5010, 1015, 3004, 6005, 8017, 7016, ADS703**	Для ворот с правой калиткой	84,00
	«S-гофр»	Золотой дуб, Темный дуб, Вишня		110,00
	«Микроволна», «S-гофр»	Другой цвет по каталогу RAL		+25% к стоимости стандартного цвета
LPU-44	«Микроволна», «S-гофр»	RAL 9016, 8014, 9006, 5010, 1015, 3004, 6005, 8017, 7016, ADS703**	Для ворот с левой калиткой	84,00
	«S-гофр»	Золотой дуб, Темный дуб, Вишня		110,00
	«Микроволна», «S-гофр»	Другой цвет по каталогу RAL		+25% к стоимости стандартного цвета

* Указанные цвета имеют близкое соответствие шкале RAL.

** Стандартные цвета.



ПОЛОТНО ВОРОТ С КАЛИТКОЙ

Панель промежуточная

Тип ворот:

- гаражные ворота Classic с торсионными пружинами всех типов монтажа;
- промышленные ворота ProPlus всех типов монтажа.

Тип калитки: с плоским порогом 20 мм, с низким порогом 100 мм, со стандартным порогом 145 мм.

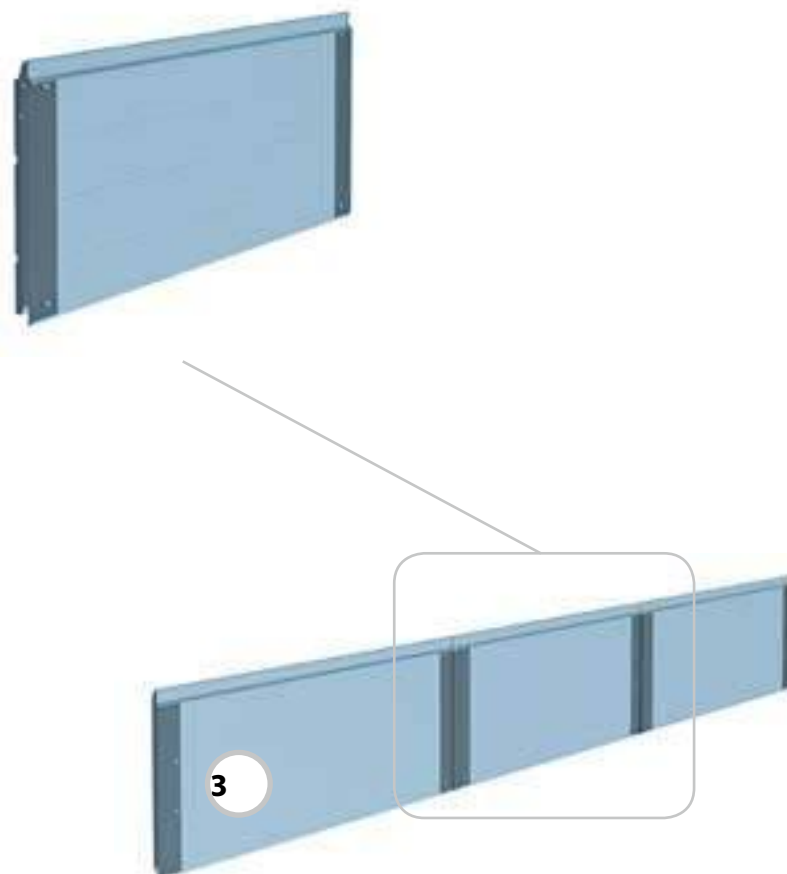
Состав: промежуточная панель калитки с установленными калиточными профилями.

Единица измеренияшт.

Арт.	Тип полотна	Цвет*	Применение	Розничная цена, евро с НДС/шт.
LPU-35	«Микроволна», «S-гофр»	RAL 9016, 8014, 9006, 5010, 1015, 3004, 6005, 8017, 7016, ADS703**	Для ворот с правой калиткой	195,00
	«S-гофр»	Золотой дуб, Темный дуб, Вишня		254,00
	«Микроволна», «S-гофр»	Другой цвет по каталогу RAL		+25% к стоимости стандартного цвета
LPU-45	«Микроволна», «S-гофр»	RAL 9016, 8014, 9006, 5010, 1015, 3004, 6005, 8017, 7016, ADS703**	Для ворот с левой калиткой	195,00
	«S-гофр»	Золотой дуб, Темный дуб, Вишня		254,00
	«Микроволна», «S-гофр»	Другой цвет по каталогу RAL		+25% к стоимости стандартного цвета

* Указанные цвета имеют близкое соответствие шкале RAL.

** Стандартные цвета.



Панель промежуточная

Тип ворот:

- гаражные ворота Classic с торсионными пружинами всех типов монтажа;
- промышленные ворота ProPlus всех типов монтажа.

Тип калитки: с плоским порогом 20 мм, с низким порогом 100 мм, со стандартным порогом 145 мм.

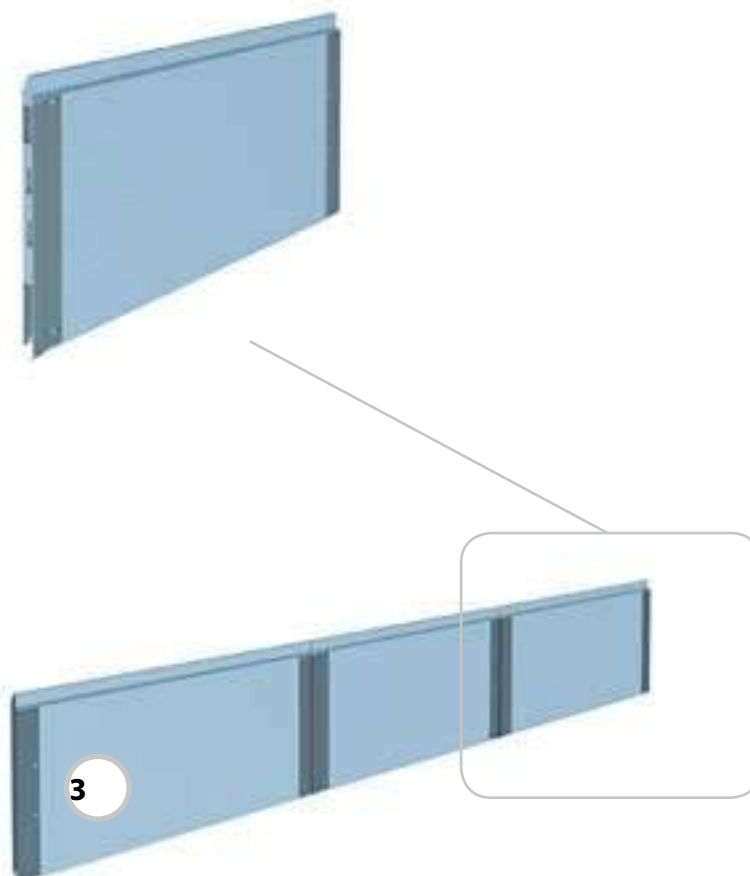
Состав: промежуточная панель калитки с установленными калиточными профилями.

Единица измеренияшт.

Арт.	Тип полотна	Цвет*	Применение	Розничная цена, евро с НДС/м
LPU-36	«Микроволна», «S-гофр»	RAL 9016, 8014, 9006, 5010, 1015, 3004, 6005, 8017, 7016, ADS703**	Для ворот с правой калиткой	84,00
	«S-гофр»	Золотой дуб, Темный дуб, Вишня		110,00
	«Микроволна», «S-гофр»	Другой цвет по каталогу RAL		+25% к стоимости стандартного цвета
LPU-46	«Микроволна», «S-гофр»	RAL 9016, 8014, 9006, 5010, 1015, 3004, 6005, 8017, 7016, ADS703**	Для ворот с левой калиткой	84,00
	«S-гофр»	Золотой дуб, Темный дуб, Вишня		110,00
	«Микроволна», «S-гофр»	Другой цвет по каталогу RAL		+25% к стоимости стандартного цвета

* Указанные цвета имеют близкое соответствие шкале RAL.

** Стандартные цвета.



ПОЛОТНО ВОРОТ С КАЛИТКОЙ

Панель промежуточная

Тип ворот:

- гаражные ворота Classic с торсионными пружинами всех типов монтажа;
- промышленные ворота ProPlus всех типов монтажа.

Тип калитки: с плоским порогом 20 мм, с низким порогом 100 мм, со стандартным порогом 145 мм.

Состав: верхняя калиточная панель с установленными калиточными профилями, верхний усиливающий профиль.

Единица измеренияшт.

Арт.	Тип полотна	Цвет*	Применение	Розничная цена, евро с НДС/м
LPU-37	«Микроволна», «S-гофр»	RAL 9016, 8014, 9006, 5010, 1015, 3004, 6005, 8017, 7016, ADS703**	Для ворот с правой калиткой	121,00
	«S-гофр»	Золотой дуб, Темный дуб, Вишня		158,00
	«Микроволна», «S-гофр»	Другой цвет по каталогу RAL		+25% к стоимости стандартного цвета
LPU-47	«Микроволна», «S-гофр»	RAL 9016, 8014, 9006, 5010, 1015, 3004, 6005, 8017, 7016, ADS703**	Для ворот с левой калиткой	121,00
	«S-гофр»	Золотой дуб, Темный дуб, Вишня		158,00
	«Микроволна», «S-гофр»	Другой цвет по каталогу RAL		+25% к стоимости стандартного цвета

* Указанные цвета имеют близкое соответствие шкале RAL.

** Стандартные цвета.



Панель промежуточная

Тип ворот:

- гаражные ворота Classic с торсионными пружинами всех типов монтажа;
- промышленные ворота ProPlus всех типов монтажа.

Тип калитки: с плоским порогом 20 мм, с низким порогом 100 мм, со стандартным порогом 145 мм.

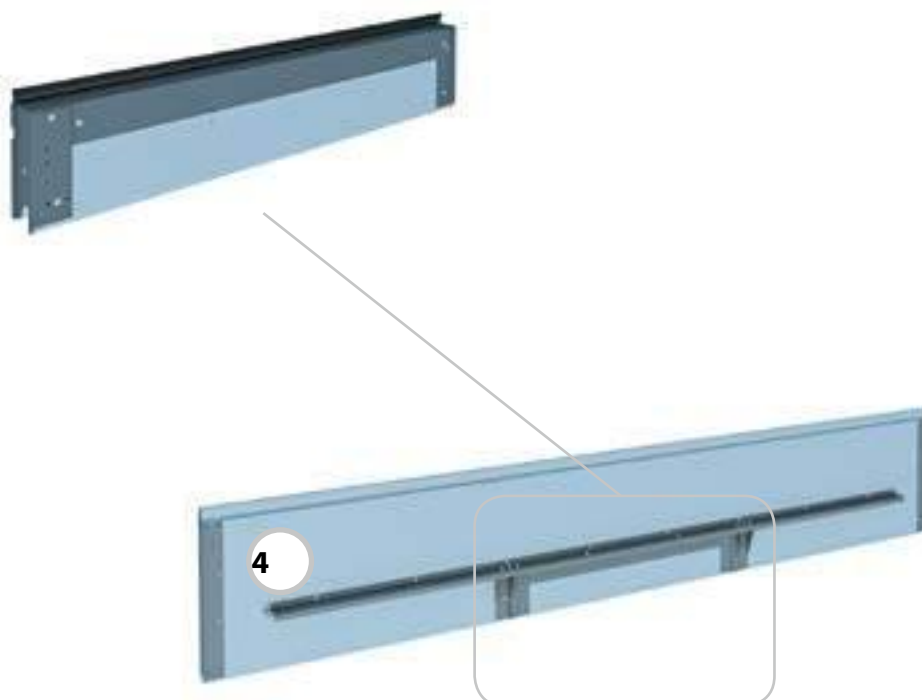
Состав: верхняя калиточная панель с установленными калиточными профилями.

Единица измеренияшт.

Арт.	Тип полотна	Цвет*	Применение	Розничная цена, евро с НДС/шт.
LPU-38	«Микроволна», «S-гофр»	RAL 9016, 8014, 9006, 5010, 1015, 3004, 6005, 8017, 7016, ADS703**	Для ворот с правой калиткой	202,00
	«S-гофр»	Золотой дуб, Темный дуб, Вишня		263,00
	«Микроволна», «S-гофр»	Другой цвет по каталогу RAL		+25% к стоимости стандартного цвета
LPU-48	«Микроволна», «S-гофр»	RAL 9016, 8014, 9006, 5010, 1015, 3004, 6005, 8017, 7016, ADS703**	Для ворот с левой калиткой	202,00
	«S-гофр»	Золотой дуб, Темный дуб, Вишня		263,00
	«Микроволна», «S-гофр»	Другой цвет по каталогу RAL		+25% к стоимости стандартного цвета

* Указанные цвета имеют близкое соответствие шкале RAL.

** Стандартные цвета.



ПОЛОТНО ВОРОТ С КАЛИТКОЙ

Панель промежуточная

Тип ворот:

- гаражные ворота Classic с торсионными пружинами всех типов монтажа;
- промышленные ворота ProPlus всех типов монтажа.

Тип калитки: с плоским порогом 20 мм, с низким порогом 100 мм, со стандартным порогом 145 мм.

Состав: верхняя калиточная панель с установленными калиточными профилями, верхний усиливающий профиль.

Единица измеренияшт.

Арт.	Тип полотна	Цвет*	Применение	Розничная цена, евро с НДС/шт.
LPU-39	«Микроволна», «S-гофр»	RAL 9016, 8014, 9006, 5010, 1015, 3004, 6005, 8017, 7016, ADS703**	Для ворот с правой калиткой	(W-0,9)×121,00€/ м
	«S-гофр»	Золотой дуб, Темный дуб, Вишня		(W-0,9)×158,00 €/м
	«Микроволна», «S-гофр»	Другой цвет по каталогу RAL		+25% к стоимости стандартного цвета
LPU-49	«Микроволна», «S-гофр»	RAL 9016, 8014, 9006, 5010, 1015, 3004, 6005, 8017, 7016, ADS703**	Для ворот с левой калиткой	(W-0,9)×121,00€/ м
	«S-гофр»	Золотой дуб, Темный дуб, Вишня		(W-0,9)×158,00 €/м
	«Микроволна», «S-гофр»	Другой цвет по каталогу RAL		+25% к стоимости стандартного цвета

W — ширина ворот, м

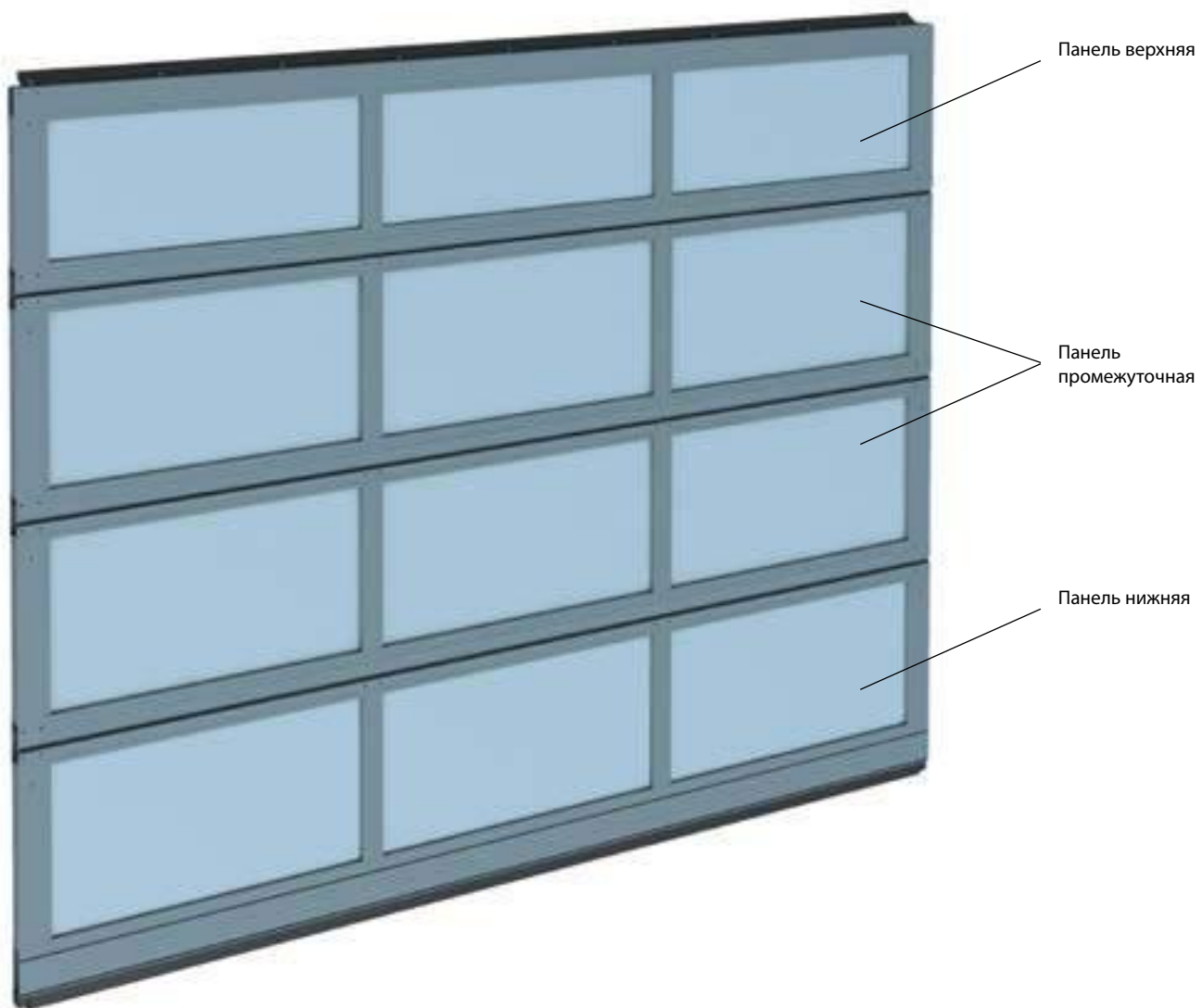
* Указанные цвета имеют близкое соответствие шкале RAL.

** Стандартные цвета.



ПАНОРАМНОЕ ПОЛОТНО ВОРОТ БЕЗ КАЛИТКИ

ТИПОВАЯ КОНСТРУКЦИЯ ПАНОРАМНОГО ПОЛОТНА ВОРОТ БЕЗ КАЛИТКИ



07

ПАНОРАМНОЕ ПОЛОТНО ВОРОТ БЕЗ КАЛИТКИ

Полотно воротное

Серия ворот: панорамные ворота AluPro, AluTherm и AluLine.
Тип полотна ворот: АЛП.

Состав: панорамные панели, нижняя и верхняя уплотнительные вставки, упоры нижние.

Единица измеренияшт.

Арт.	Серия ворот	Цвет*	Розничная цена, евро с НДС/м ²
GLG-7	AluPro	RAL 9016, 8014, 9006, 5010, 1015, 3004, 6005, 8017, 7016**	225,00
		Другой цвет по каталогу RAL	+25% к стоимости стандартного цвета
	AluLine	RAL 9016, 8014, 9006, 5010**	225,00
		Другой цвет по каталогу RAL	+25% к стоимости стандартного цвета
AluTherm	RAL 9016, 8014, 9006, 5010**	286,00	

* Указанные цвета имеют близкое соответствие шкале RAL.

** Стандартные цвета.



ПАНОРАМНОЕ ПОЛОТНО ВОРОТ БЕЗ КАЛИТКИ
Полотно воротное

Серия ворот: панорамные ворота AluPro и AluTherm.
 Тип полотна ворот: АЛПС.

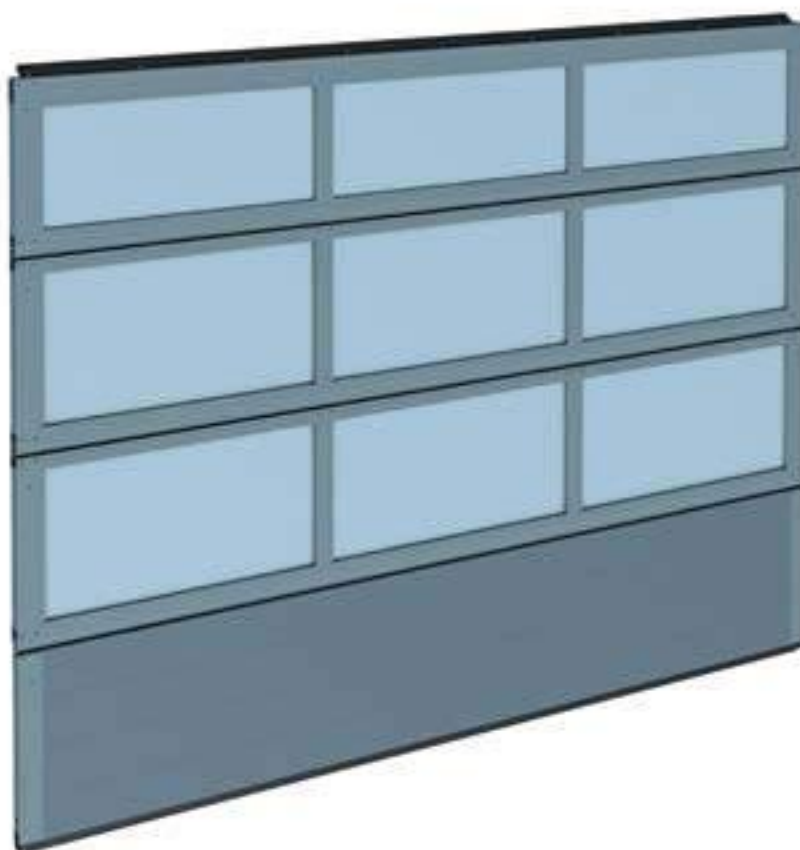
Состав: нижняя сэндвич-панель, промежуточные и верхняя панорамные панели, нижний концевой профиль, нижняя и верхняя уплотнительные вставки, упоры нижние.

Единица измеренияшт.

Арт.	Серия ворот	Цвет*	Розничная цена, евро с НДС/м ²
GLG-10	AluPro	RAL 9016, 8014, 9006, 5010, 1015, 3004, 6005, 8017, 7016**	214,00
		Другой цвет по каталогу RAL	+25% к стоимости стандартного цвета
	AluTherm	RAL 9016, 8014, 9006, 5010**	271,00

* Указанные цвета имеют близкое соответствие шкале RAL.

** Стандартные цвета.



ПАНОРАМНОЕ ПОЛОТНО ВОРОТ БЕЗ КАЛИТКИ

Панель нижняя

Серия ворот: панорамные ворота AluPro, AluTherm и AluLine.
Тип полотна ворот: АЛП.

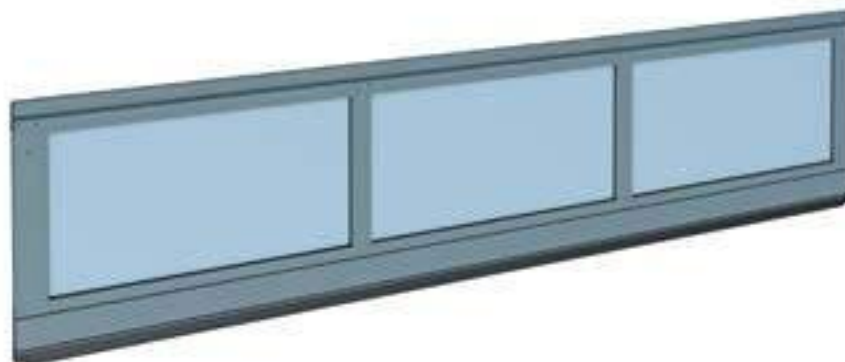
Состав: нижняя панорамная панель, нижняя уплотнительная вставка, упоры нижние.

Единица измеренияшт.

Арт.	Серия ворот	Цвет*	Розничная цена, евро с НДС/м ²
LPA-27	AluPro	RAL 9016, 8014, 9006, 5010, 1015, 3004, 6005, 8017, 7016**	270,00
		Другой цвет по каталогу RAL	+25% к стоимости стандартного цвета
	AluLine	RAL 9016, 8014, 9006, 5010**	270,00
		Другой цвет по каталогу RAL	+25% к стоимости стандартного цвета
AluTherm	RAL 9016, 8014, 9006, 5010**	343,00	

* Указанные цвета имеют близкое соответствие шкале RAL.

** Стандартные цвета.



Панель промежуточная

Серия ворот:

- панорамные ворота AluPro, AluTherm и AluLine;
- гаражные ворота Classic (ПО серии AluPro, AluTherm);
- промышленные ворота ProPlus (ПО серии AluPro, AluTherm).

Тип полотна ворот: АЛП, АЛПС, ПО

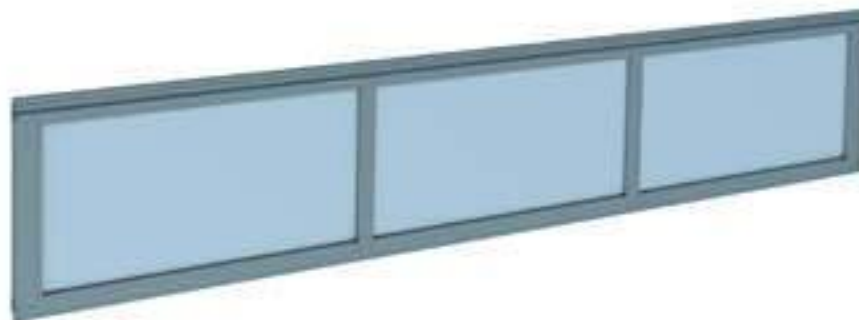
Состав: промежуточная панорамная панель

Единица измеренияшт.

Арт.	Серия ворот	Цвет*	Розничная цена, евро с НДС/м ²
LPA-28	AluPro	RAL 9016, 8014, 9006, 5010, 1015, 3004, 6005, 8017, 7016**	225,00
		Другой цвет по каталогу RAL	+25% к стоимости стандартного цвета
	AluLine	RAL 9016, 8014, 9006, 5010**	225,00
		Другой цвет по каталогу RAL	+25% к стоимости стандартного цвета
AluTherm	RAL 9016, 8014, 9006, 5010**	286,00	

* Указанные цвета имеют близкое соответствие шкале RAL.

** Стандартные цвета.



ПАНОРАМНОЕ ПОЛОТНО ВОРОТ БЕЗ КАЛИТКИ

Панель верхняя

Серия ворот: панорамные ворота AluPro, AluTherm и AluLine.
Тип полотна ворот: АЛП, АЛПС.

Состав: верхняя панорамная панель, верхняя уплотнительная вставка.

Единица измеренияшт.

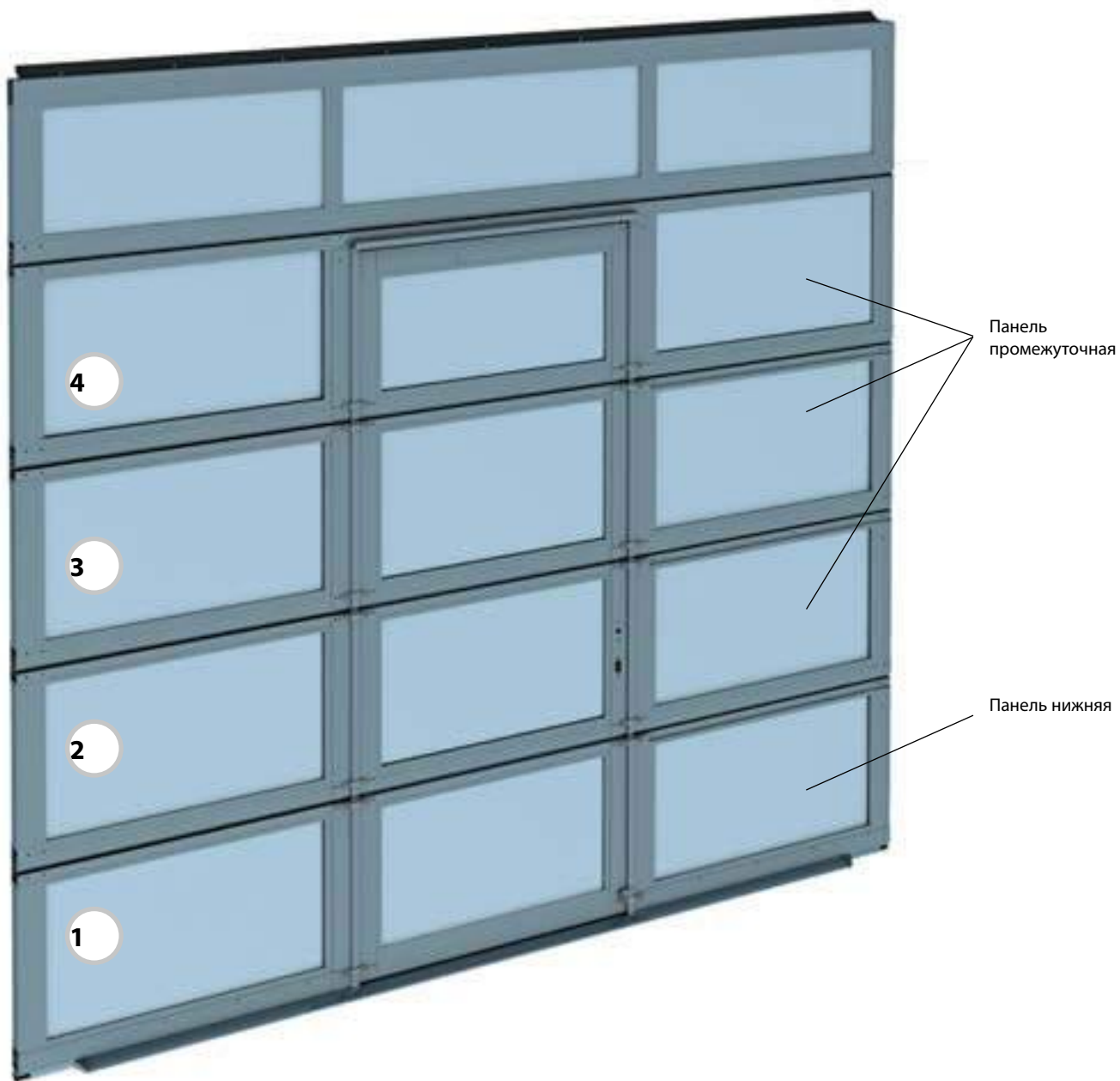
Арт.	Серия ворот	Цвет*	Розничная цена, евро с НДС/м
LPA-29	AluPro	RAL 9016, 8014, 9006, 5010, 1015, 3004, 6005, 8017, 7016**	225,00
		Другой цвет по каталогу RAL	+25% к стоимости стандартного цвета
	AluLine	RAL 9016, 8014, 9006, 5010**	225,00
		Другой цвет по каталогу RAL	+25% к стоимости стандартного цвета
AluTherm	RAL 9016, 8014, 9006, 5010**	286,00	

* Указанные цвета имеют близкое соответствие шкале RAL.

** Стандартные цвета.



ТИПОВАЯ КОНСТРУКЦИЯ ПАНОРАМНОГО ПОЛОТНА ВОРОТ С КАЛИТКОЙ



ПАНОРАМНОЕ ПОЛОТНО ВОРОТ С КАЛИТКОЙ

Полотно воротное

Серия ворот: панорамные ворота AluPro.
Тип полотна ворот: АЛП.

Тип калитки: с плоским порогом 20 мм, со стандартным порогом 149 мм.

Состав: панорамные панели, нижняя и верхняя уплотнительные вставки, упоры нижний, комплект калиточных профилей и замок калитки, усиливающие профили калитки.

Единица измеренияшт.

Арт.	Цвет*	Применение	Розничная цена, евро с НДС/м ²
GLG-5	RAL 9016, 8014, 9006, 5010, 1015, 3004, 6005, 8017, 7016**	Для ворот с правой калиткой	268,00
	Другой цвет по каталогу RAL		+25% к стоимости стандартного цвета
GLG-6	RAL 9016, 8014, 9006, 5010, 1015, 3004, 6005, 8017, 7016**	Для ворот с левой калиткой	268,00
	Другой цвет по каталогу RAL		+25% к стоимости стандартного цвета

* Указанные цвета имеют близкое соответствие шкале RAL.

** Стандартные цвета.



Калитка с плоским порогом 20 мм



Калитка со стандартным порогом 149 мм

ПАНОРАМНОЕ ПОЛОТНО ВОРОТ С КАЛИТКОЙ
Полотно воротное

Серия ворот: панорамные ворота AluPro.
 Тип полотна ворот: АЛПС.

Тип калитки: с плоским порогом 20 мм, с низким порогом 100 мм, со стандартным порогом 145 мм.

Состав: нижняя сэндвич-панель, промежуточные и верхняя панорамные панели, нижний концевой профиль, нижняя и верхняя уплотнительные вставки, упоры нижний, комплект калиточных профилей и замок калитки, усиливающие профили калитки.

Единица измеренияшт.

Арт.	Цвет*	Применение	Розничная цена, евро с НДС/м ²
GLG-8	RAL 9016, 8014, 9006, 5010, 1015, 3004, 6005, 8017, 7016**	Для ворот с правой калиткой	260,00
	Другой цвет по каталогу RAL		+25% к стоимости стандартного цвета
GLG-9	RAL 9016, 8014, 9006, 5010, 1015, 3004, 6005, 8017, 7016**	Для ворот с левой калиткой	260,00
	Другой цвет по каталогу RAL		+25% к стоимости стандартного цвета

* Указанные цвета имеют близкое соответствие шкале RAL.

** Стандартные цвета.



Калитка с плоским порогом 20 мм



Калитка с низким порогом 100 мм



Калитка со стандартным порогом 145 мм

ПАНОРАМНОЕ ПОЛОТНО ВОРОТ С КАЛИТКОЙ

Панель нижняя

Серия ворот: панорамные ворота AluPro.
Тип полотна ворот: АЛП.

Тип калитки: с плоским порогом 20 мм, со стандартным порогом 149 мм.

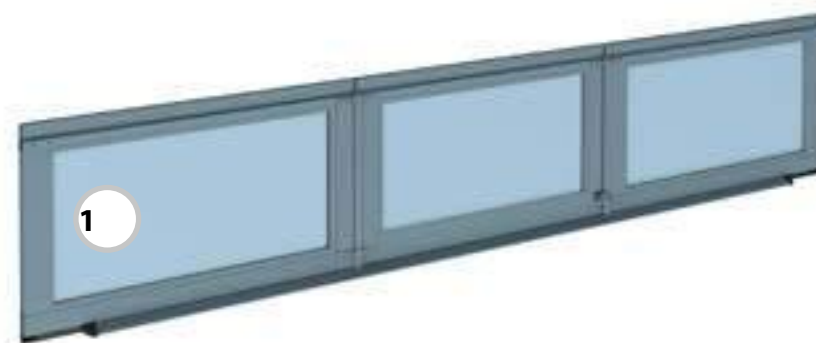
Состав: нижняя панорамная панель, нижняя уплотнительная вставка, комплект калиточных профилей для нижней панели, нижний усиливающий профиль калитки, упоры нижние.

Единица измеренияшт.

Арт.	Цвет*	Применение	Розничная цена, евро с НДС/м ²
LPA-1	RAL 9016, 8014, 9006, 5010, 1015, 3004, 6005, 8017, 7016**	Для ворот с правой калиткой	357,00
	Другой цвет по каталогу RAL		+25% к стоимости стандартного цвета
LPA-15	RAL 9016, 8014, 9006, 5010, 1015, 3004, 6005, 8017, 7016**	Для ворот с левой калиткой	357,00
	Другой цвет по каталогу RAL		+25% к стоимости стандартного цвета

* Указанные цвета имеют близкое соответствие шкале RAL.

** Стандартные цвета.



Калитка с плоским порогом 20 мм



Калитка со стандартным порогом 149 мм

ПАНОРАМНОЕ ПОЛОТНО ВОРОТ С КАЛИТКОЙ
Панель нижняя

Серия ворот: панорамные ворота AluPro.
 Тип полотна ворот: АЛП.

Тип калитки: с плоским порогом 20 мм, со стандартным порогом 149 мм.

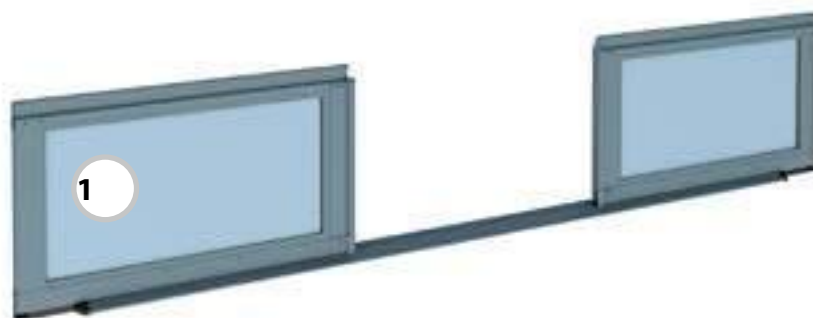
Состав: нижняя панель калитки с установленными профилями калитки.

Единица измеренияшт.

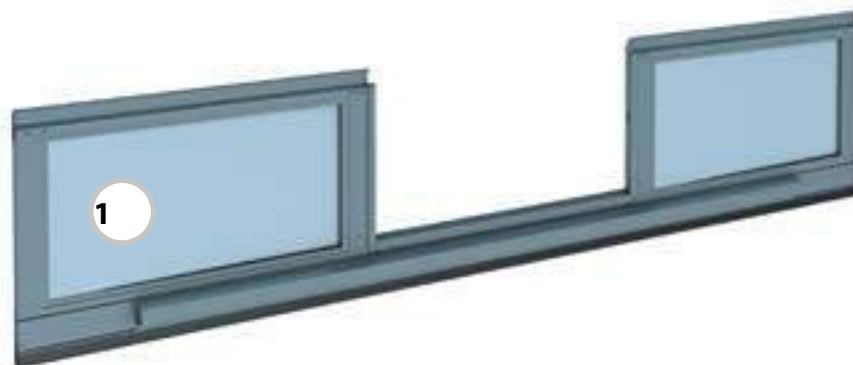
Арт.	Цвет*	Применение	Розничная цена, евро с НДС/м ²
LPA-30	RAL 9016, 8014, 9006, 5010, 1015, 3004, 6005, 8017, 7016**	Для ворот с правой калиткой	282,00
	Другой цвет по каталогу RAL		+25% к стоимости стандартного цвета
LPA-40	RAL 9016, 8014, 9006, 5010, 1015, 3004, 6005, 8017, 7016**	Для ворот с левой калиткой	282,00
	Другой цвет по каталогу RAL		+25% к стоимости стандартного цвета

* Указанные цвета имеют близкое соответствие шкале RAL.

** Стандартные цвета.



Калитка с плоским порогом 20 мм



Калитка со стандартным порогом 149 мм

ПАНОРАМНОЕ ПОЛОТНО ВОРОТ С КАЛИТКОЙ

Панель нижняя

Серия ворот: панорамные ворота AluPro.
Тип полотна ворот: АЛП.

Тип калитки: с плоским порогом 20 мм, со стандартным порогом 149 мм.

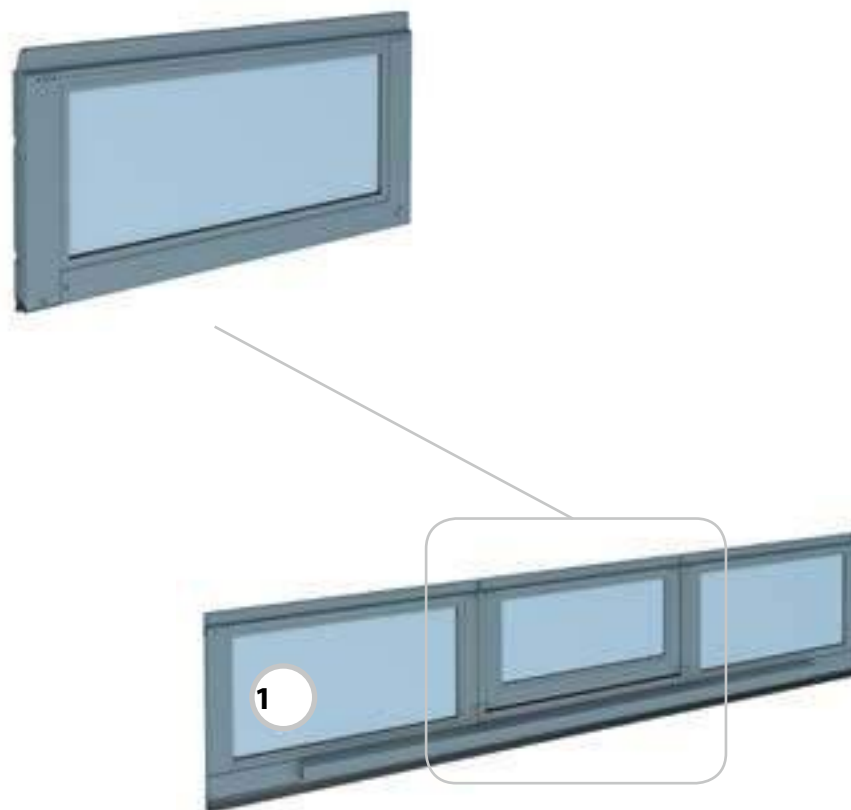
Состав: нижняя панель калитки с установленными профилями калитки.

Единица измеренияшт.

Арт.	Цвет*	Применение	Розничная цена, евро с НДС/шт.
LPA-3	RAL 9016, 8014, 9006, 5010, 1015, 3004, 6005, 8017, 7016**	Для ворот с правой калиткой	202,00
	Другой цвет по каталогу RAL		+25% к стоимости стандартного цвета
LPA-17	RAL 9016, 8014, 9006, 5010, 1015, 3004, 6005, 8017, 7016**	Для ворот с левой калиткой	202,00
	Другой цвет по каталогу RAL		+25% к стоимости стандартного цвета

* Указанные цвета имеют близкое соответствие шкале RAL.

** Стандартные цвета.



Панель промежуточная

Серия ворот:

- панорамные ворота AluPro;
- гаражные ворота Classic (ПО серии AluPro);
- промышленные ворота ProPlus (ПО серии AluPro).

Тип полотна ворот: АЛП, АЛПС, ПО

Тип калитки:

- с плоским порогом 20 мм, со стандартным порогом 149 мм (АЛП);
- с плоским порогом 20 мм, с низким порогом 100 мм, со стандартным порогом 145 мм (АЛПС, ПО).

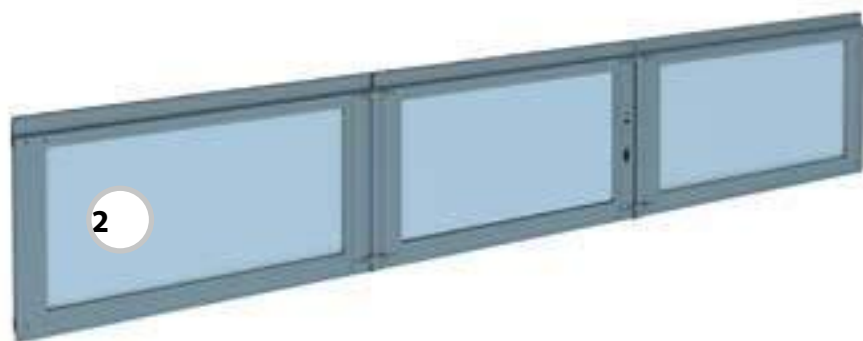
Состав: промежуточная калиточная панель с установленными калиточными профилями, замок калитки.

Единица измеренияшт.

Арт.	Цвет*	Применение	Розничная цена, евро с НДС/м ²
LPA-31	RAL 9016, 8014, 9006, 5010, 1015, 3004, 6005, 8017, 7016**	Для ворот с правой калиткой	268,00
	Другой цвет по каталогу RAL		+25% к стоимости стандартного цвета
LPA-41	RAL 9016, 8014, 9006, 5010, 1015, 3004, 6005, 8017, 7016**	Для ворот с левой калиткой	268,00
	Другой цвет по каталогу RAL		+25% к стоимости стандартного цвета

* Указанные цвета имеют близкое соответствие шкале RAL.

** Стандартные цвета.



ПАНОРАМНОЕ ПОЛОТНО ВОРОТ С КАЛИТКОЙ

Панель промежуточная

Серия ворот:

- панорамные ворота AluPro;
- гаражные ворота Classic (ПО серия AluPro);
- промышленные ворота ProPlus (ПО серия AluPro).

Тип полотна ворот: АЛП, АЛПС, ПО

Тип калитки:

- с плоским порогом 20 мм, со стандартным порогом 149 мм (АЛП);
- с плоским порогом 20 мм, с низким порогом 100 мм, со стандартным порогом 145 мм (АЛПС, ПО).

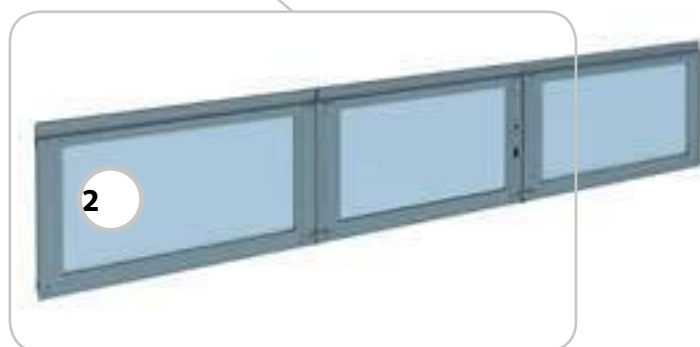
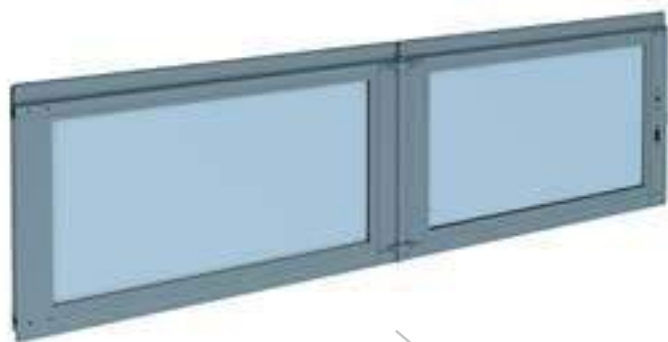
Состав: промежуточные панели калитки с установленными калиточными профилями, замок калитки.

Единица измеренияшт.

Арт.	Цвет*	Применение	Розничная цена, евро с НДС/м ²
LPA-5	RAL 9016, 8014, 9006, 5010, 1015, 3004, 6005, 8017, 7016**	Для ворот с правой калиткой	327,00
	Другой цвет по каталогу RAL		+25% к стоимости стандартного цвета
LPA-19	RAL 9016, 8014, 9006, 5010, 1015, 3004, 6005, 8017, 7016**	Для ворот с левой калиткой	327,00
	Другой цвет по каталогу RAL		+25% к стоимости стандартного цвета

* Указанные цвета имеют близкое соответствие шкале RAL.

** Стандартные цвета.



Панель промежуточная

Серия ворот:

- панорамные ворота AluPro;
- гаражные ворота Classic (ПО серия AluPro);
- промышленные ворота ProPlus (ПО серия AluPro).

Тип полотна ворот: АЛП, АЛПС, ПО

Тип калитки:

- с плоским порогом 20 мм, со стандартным порогом 149 мм (АЛП);
- с плоским порогом 20 мм, с низким порогом 100 мм, со стандартным порогом 145 мм (АЛПС, ПО).

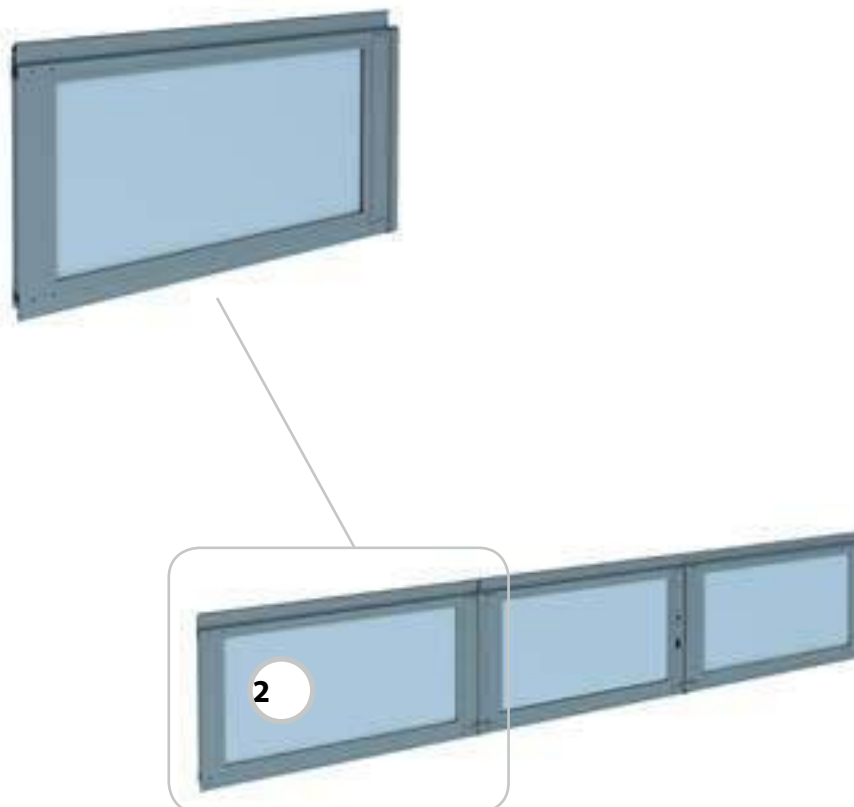
Состав: промежуточная панель калитки с установленными калиточными профилями.

Единица измеренияшт.

Арт.	Цвет*	Применение	Розничная цена, евро с НДС/м ²
LPA-6	RAL 9016, 8014, 9006, 5010, 1015, 3004, 6005, 8017, 7016**	Для ворот с правой калиткой	331,00
	Другой цвет по каталогу RAL		+25% к стоимости стандартного цвета
LPA-20	RAL 9016, 8014, 9006, 5010, 1015, 3004, 6005, 8017, 7016**	Для ворот с левой калиткой	331,00
	Другой цвет по каталогу RAL		+25% к стоимости стандартного цвета

* Указанные цвета имеют близкое соответствие шкале RAL.

** Стандартные цвета.



ПАНОРАМНОЕ ПОЛОТНО ВОРОТ С КАЛИТКОЙ

Панель промежуточная

Серия ворот:

- панорамные ворота AluPro;
- гаражные ворота Classic (ПО серия AluPro);
- промышленные ворота ProPlus (ПО серия AluPro).

Тип полотна ворот: АЛП, АЛПС, ПО

Тип калитки:

- с плоским порогом 20 мм, со стандартным порогом 149 мм (АЛП);
- с плоским порогом 20 мм, с низким порогом 100 мм, со стандартным порогом 145 мм (АЛПС, ПО).

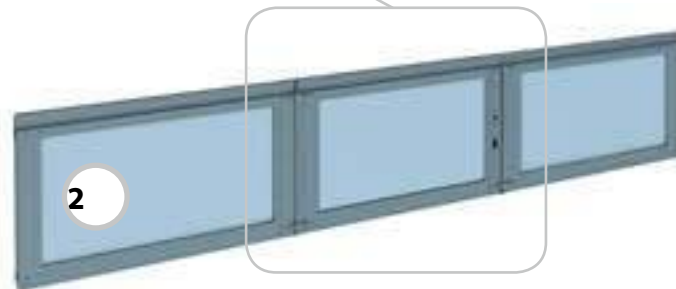
Состав: промежуточная панель калитки с установленными калиточными профилями, замок калитки.

Единица измеренияшт.

Арт.	Цвет*	Применение	Розничная цена, евро с НДС/шт.
LPA-7	RAL 9016, 8014, 9006, 5010, 1015, 3004, 6005, 8017, 7016**	Для ворот с правой калиткой	267,00
	Другой цвет по каталогу RAL		+25% к стоимости стандартного цвета
LPA-21	RAL 9016, 8014, 9006, 5010, 1015, 3004, 6005, 8017, 7016**	Для ворот с левой калиткой	267,00
	Другой цвет по каталогу RAL		+25% к стоимости стандартного цвета

* Указанные цвета имеют близкое соответствие шкале RAL.

** Стандартные цвета.



Панель промежуточная

Серия ворот:

- панорамные ворота AluPro;
- гаражные ворота Classic (ПО серия AluPro);
- промышленные ворота ProPlus (ПО серия AluPro).

Тип полотна ворот: АЛП, АЛПС, ПО

Тип калитки:

- с плоским порогом 20 мм, со стандартным порогом 149 мм (АЛП);
- с плоским порогом 20 мм, с низким порогом 100 мм, со стандартным порогом 145 мм (АЛПС, ПО).

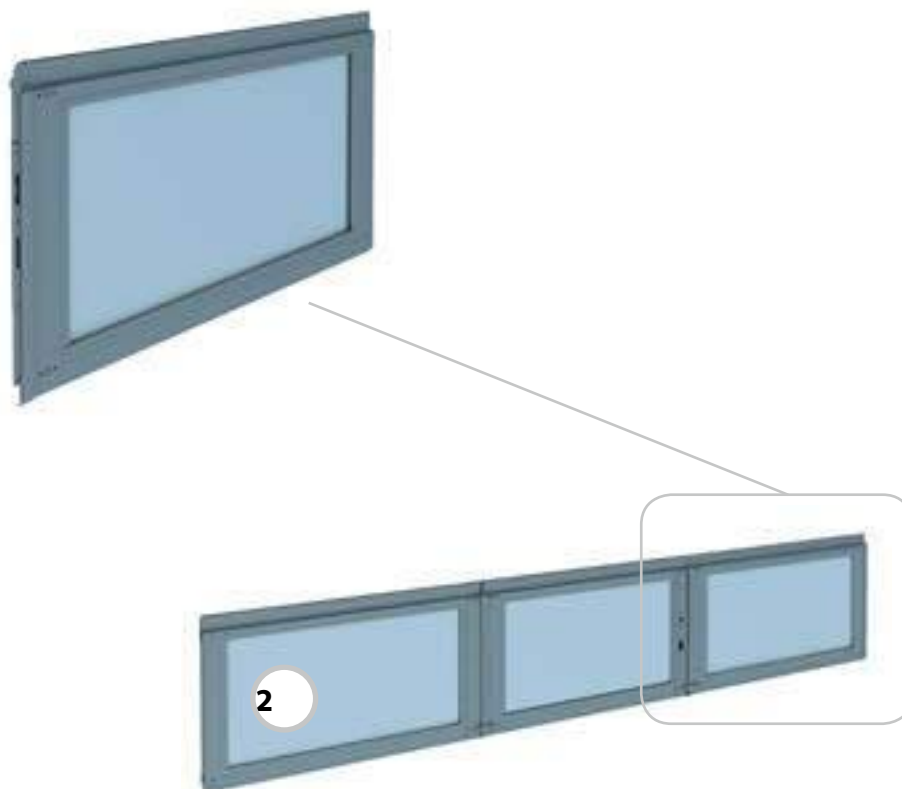
Состав: промежуточная панель калитки с установленными калиточными профилями.

Единица измеренияшт.

Арт.	Цвет*	Применение	Розничная цена, евро с НДС/м ²
LPA-8	RAL 9016, 8014, 9006, 5010, 1015, 3004, 6005, 8017, 7016**	Для ворот с правой калиткой	331,00
	Другой цвет по каталогу RAL		+25% к стоимости стандартного цвета
LPA-22	RAL 9016, 8014, 9006, 5010, 1015, 3004, 6005, 8017, 7016**	Для ворот с левой калиткой	331,00
	Другой цвет по каталогу RAL		+25% к стоимости стандартного цвета

* Указанные цвета имеют близкое соответствие шкале RAL.

** Стандартные цвета.



ПАНОРАМНОЕ ПОЛОТНО ВОРОТ С КАЛИТКОЙ

Панель промежуточная

Серия ворот:

- панорамные ворота AluPro;
- гаражные ворота Classic (ПО серия AluPro);
- промышленные ворота ProPlus (ПО серия AluPro).

Тип полотна ворот: АЛП, АЛПС, ПО

Тип калитки:

- с плоским порогом 20 мм, со стандартным порогом 149 мм (АЛП);
- с плоским порогом 20 мм, с низким порогом 100 мм, со стандартным порогом 145 мм (АЛПС, ПО).

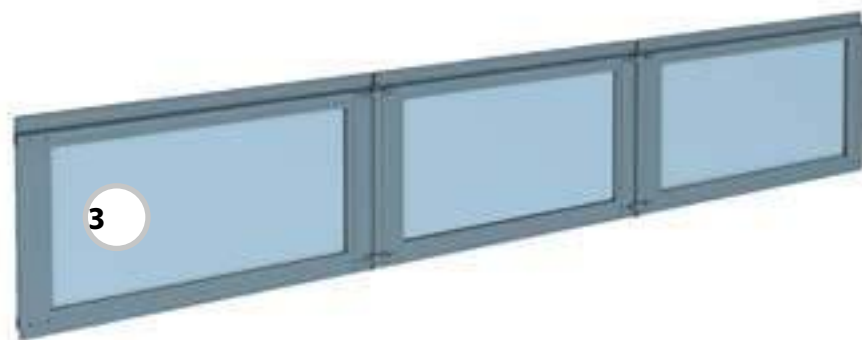
Состав: промежуточная калиточная панель с установленными калиточными профилями.

Единица измеренияшт.

Арт.	Цвет*	Применение	Розничная цена, евро с НДС/м ²
LPA-32	RAL 9016, 8014, 9006, 5010, 1015, 3004, 6005, 8017, 7016**	Для ворот с правой калиткой	268,00
	Другой цвет по каталогу RAL		+25% к стоимости стандартного цвета
LPA-42	RAL 9016, 8014, 9006, 5010, 1015, 3004, 6005, 8017, 7016**	Для ворот с левой калиткой	268,00
	Другой цвет по каталогу RAL		+25% к стоимости стандартного цвета

* Указанные цвета имеют близкое соответствие шкале RAL.

** Стандартные цвета.



Панель промежуточная

Серия ворот:

- панорамные ворота AluPro;
- гаражные ворота Classic (ПО серия AluPro);
- промышленные ворота ProPlus (ПО серия AluPro).

Тип полотна ворот: АЛП, АЛПС, ПО

Тип калитки:

- с плоским порогом 20 мм, со стандартным порогом 149 мм (АЛП);
- с плоским порогом 20 мм, с низким порогом 100 мм, со стандартным порогом 145 мм (АЛПС, ПО).

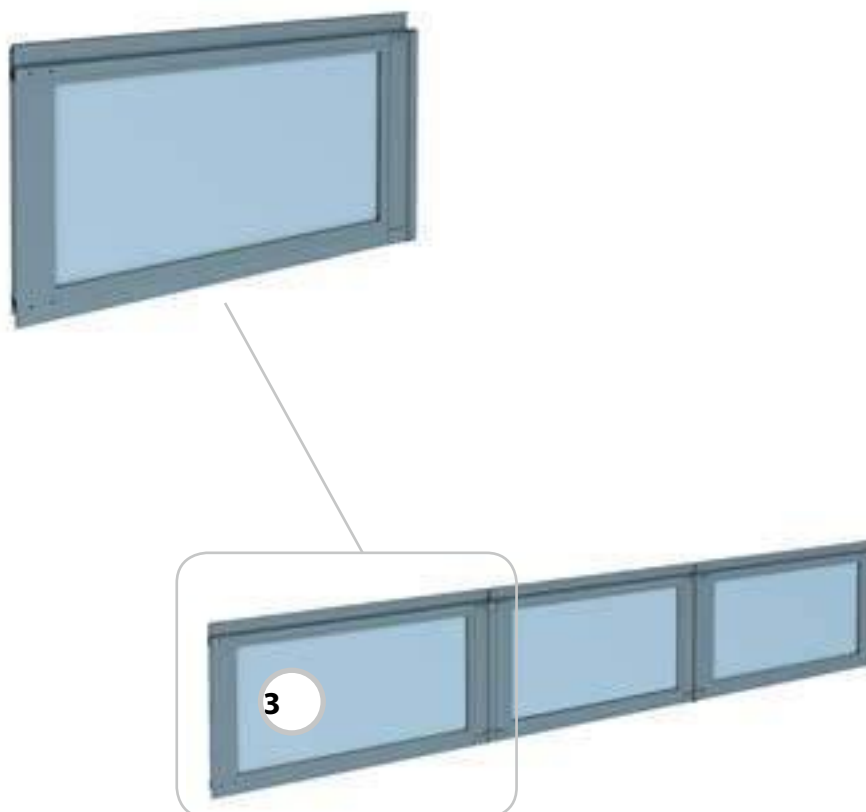
Состав: промежуточные панели калитки с установленными калиточными профилями.

Единица измеренияшт.

Арт.	Цвет*	Применение	Розничная цена, евро без НДС/м ²
LPA-33	RAL 9016, 8014, 9006, 5010, 1015, 3004, 6005, 8017, 7016**	Для ворот с правой калиткой	331,00
	Другой цвет по каталогу RAL		+25% к стоимости стандартного цвета
LPA-43	RAL 9016, 8014, 9006, 5010, 1015, 3004, 6005, 8017, 7016**	Для ворот с левой калиткой	331,00
	Другой цвет по каталогу RAL		+25% к стоимости стандартного цвета

* Указанные цвета имеют близкое соответствие шкале RAL.

** Стандартные цвета.



ПАНОРАМНОЕ ПОЛОТНО ВОРОТ С КАЛИТКОЙ

Панель промежуточная

Серия ворот:

- панорамные ворота AluPro;
- гаражные ворота Classic (ПО серия AluPro);
- промышленные ворота ProPlus (ПО серия AluPro).

Тип полотна ворот: АЛП, АЛПС, ПО

Тип калитки:

- с плоским порогом 20 мм, со стандартным порогом 149 мм (АЛП);
- с плоским порогом 20 мм, с низким порогом 100 мм, со стандартным порогом 145 мм (АЛПС, ПО).

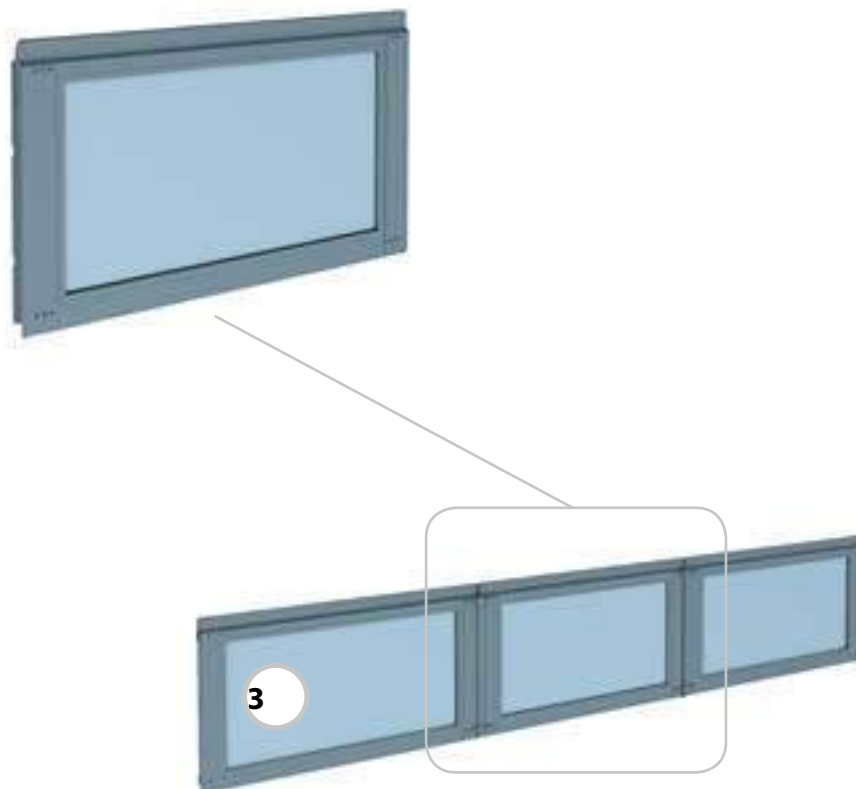
Состав: промежуточные панели калитки с установленными калиточными профилями.

Единица измеренияшт.

Арт.	Цвет*	Применение	Розничная цена, евро с НДС/шт.
LPA-34	RAL 9016, 8014, 9006, 5010, 1015, 3004, 6005, 8017, 7016**	Для ворот с правой калиткой	202,00
	Другой цвет по каталогу RAL		+25% к стоимости стандартного цвета
LPA-44	RAL 9016, 8014, 9006, 5010, 1015, 3004, 6005, 8017, 7016**	Для ворот с левой калиткой	202,00
	Другой цвет по каталогу RAL		+25% к стоимости стандартного цвета

* Указанные цвета имеют близкое соответствие шкале RAL.

** Стандартные цвета.



Панель промежуточная

Серия ворот:

- панорамные ворота AluPro;
- гаражные ворота Classic (ПО серия AluPro);
- промышленные ворота ProPlus (ПО серия AluPro).

Тип полотна ворот: АЛП, АЛПС, ПО

Тип калитки:

- с плоским порогом 20 мм, со стандартным порогом 149 мм (АЛП);
- с плоским порогом 20 мм, с низким порогом 100 мм, со стандартным порогом 145 мм (АЛПС, ПО).

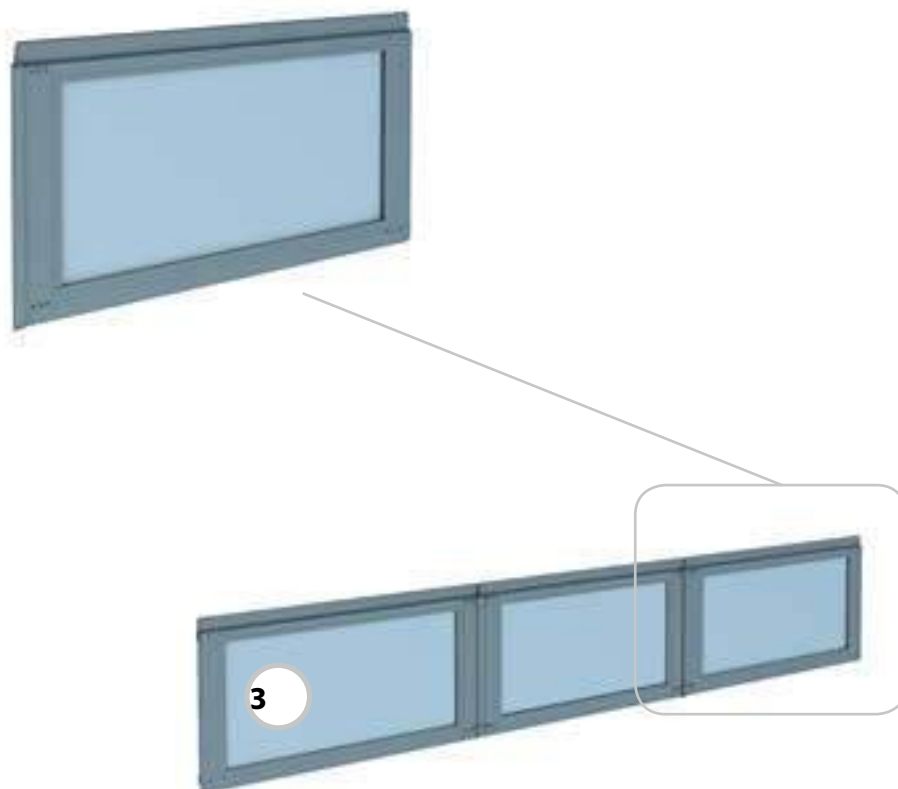
Состав: промежуточные панели калитки с установленными калиточными профилями.

Единица измеренияшт.

Арт.	Цвет*	Применение	Розничная цена, евро с НДС/м ²
LPA-35	RAL 9016, 8014, 9006, 5010, 1015, 3004, 6005, 8017, 7016**	Для ворот с правой калиткой	331,00
	Другой цвет по каталогу RAL		+25% к стоимости стандартного цвета
LPA-45	RAL 9016, 8014, 9006, 5010, 1015, 3004, 6005, 8017, 7016**	Для ворот с левой калиткой	331,00
	Другой цвет по каталогу RAL		+25% к стоимости стандартного цвета

* Указанные цвета имеют близкое соответствие шкале RAL.

** Стандартные цвета.



ПАНОРАМНОЕ ПОЛОТНО ВОРОТ С КАЛИТКОЙ

Панель промежуточная

Серия ворот:

- панорамные ворота AluPro;
- гаражные ворота Classic (ПО серия AluPro);
- промышленные ворота ProPlus (ПО серия AluPro).

Тип полотна ворот: АЛП, АЛПС, ПО

Тип калитки:

- с плоским порогом 20 мм, со стандартным порогом 149 мм (АЛП);
- с плоским порогом 20 мм, с низким порогом 100 мм, со стандартным порогом 145 мм (АЛПС, ПО).

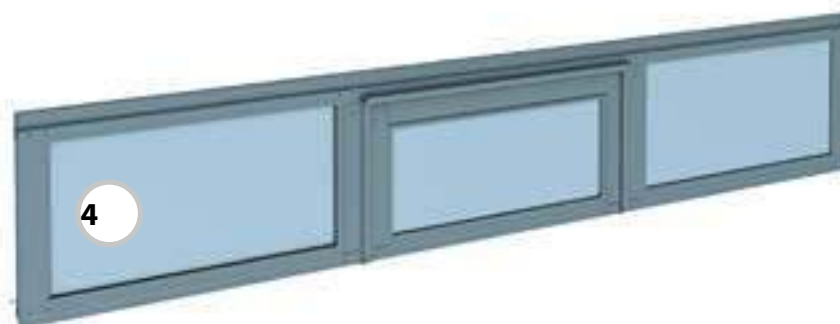
Состав: верхняя калиточная панель с установленными калиточными профилями.

Единица измеренияшт.

Арт.	Цвет*	Применение	Розничная цена, евро с НДС /м ²
LPA-36	RAL 9016, 8014, 9006, 5010, 1015, 3004, 6005, 8017, 7016**	Для ворот с правой калиткой	268,00
	Другой цвет по каталогу RAL		+25% к стоимости стандартного цвета
LPA-46	RAL 9016, 8014, 9006, 5010, 1015, 3004, 6005, 8017, 7016**	Для ворот с левой калиткой	268,00
	Другой цвет по каталогу RAL		+25% к стоимости стандартного цвета

* Указанные цвета имеют близкое соответствие шкале RAL.

** Стандартные цвета.



Панель промежуточная

Серия ворот:

- панорамные ворота AluPro;
- гаражные ворота Classic (ПО серия AluPro);
- промышленные ворота ProPlus (ПО серия AluPro).

Тип полотна ворот: АЛП, АЛПС, ПО

Тип калитки:

- с плоским порогом 20 мм, со стандартным порогом 149 мм (АЛП);
- с плоским порогом 20 мм, с низким порогом 100 мм, со стандартным порогом 145 мм (АЛПС, ПО).

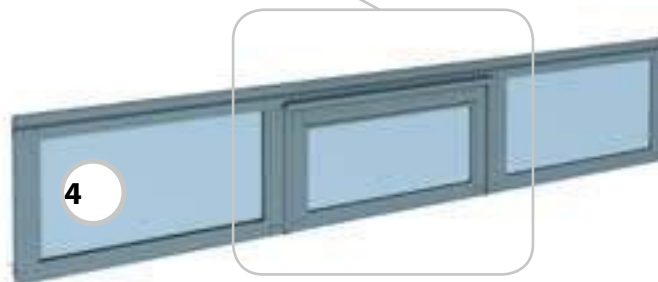
Состав: верхняя калиточная панель с установленными калиточными профилями.

Единица измеренияшт.

Арт.	Цвет*	Применение	Розничная цена, евро с НДС/шт.
LPA-37	RAL 9016, 8014, 9006, 5010, 1015, 3004, 6005, 8017, 7016**	Для ворот с правой калиткой	202,00
	Другой цвет по каталогу RAL		+25% к стоимости стандартного цвета
LPA-47	RAL 9016, 8014, 9006, 5010, 1015, 3004, 6005, 8017, 7016**	Для ворот с левой калиткой	202,00
	Другой цвет по каталогу RAL		+25% к стоимости стандартного цвета

* Указанные цвета имеют близкое соответствие шкале RAL.

** Стандартные цвета.



ПАНОРАМНОЕ ПОЛОТНО ВОРОТ С КАЛИТКОЙ

Панель промежуточная

Серия ворот:

- панорамные ворота AluPro;
- гаражные ворота Classic (ПО серия AluPro);
- промышленные ворота ProPlus (ПО серия AluPro).

Тип полотна ворот: АЛП, АЛПС, ПО

Тип калитки:

- с плоским порогом 20 мм, со стандартным порогом 149 мм (АЛП);
- с плоским порогом 20 мм, с низким порогом 100 мм, со стандартным порогом 145 мм (АЛПС, ПО).

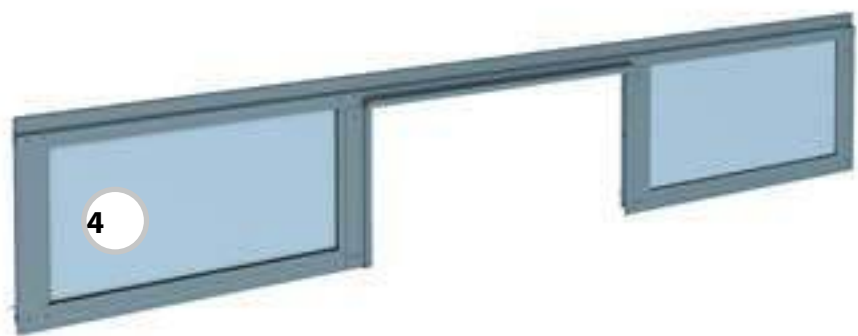
Состав: верхняя калиточная панель с установленными калиточными профилями.

Единица измеренияшт.

Арт.	Цвет*	Применение	Розничная цена, евро с НДС/м ²
LPA-38	RAL 9016, 8014, 9006, 5010, 1015, 3004, 6005, 8017, 7016**	Для ворот с правой калиткой	203,00
	Другой цвет по каталогу RAL		+25% к стоимости стандартного цвета
LPA-48	RAL 9016, 8014, 9006, 5010, 1015, 3004, 6005, 8017, 7016**	Для ворот с левой калиткой	203,00
	Другой цвет по каталогу RAL		+25% к стоимости стандартного цвета

* Указанные цвета имеют близкое соответствие шкале RAL.

** Стандартные цвета.



Механизм пружинно-инерционный

Тип ворот:

- гаражные ворота Classic с торсионными пружинами всех типов монтажа;
- промышленных ворот ProPlus.

Состав: вал (или два вала), пружины с пружинными наконечниками, промежуточный кронштейн, барабаны, два собранных с коушами троса.

Единица измеренияшт.

Арт.	Розничная цена, евро с НДС
GTS-1	по запросу



Элемент торсионный

Тип ворот:

- гаражные ворота Classic с торсионными пружинами всех типов монтажа;
- промышленных ворот ProPlus.

Состав:

- торсионная пружина с пружинными наконечниками (ТКУ-1-4);
- торсионная пружина с пружинными наконечниками, проставочный профиль (ТКУ-5 — ТКУ-8);
- дуплексная пружина с пружинными наконечниками, проставочный профиль (ТКУ-9, ТКУ-11).

Единица измеренияшт.



Арт.	Диаметр пружины, мм	Тип ворот	Примечание	Розничная цена, евро с НДС/м
ТКУ-1	51	Гаражные ворота Classic Промышленные ворота ProPlus	Левая	88,00
ТКУ-2			Правая	88,00
ТКУ-3	67	Гаражные ворота Classic Промышленные ворота ProPlus	Левая	135,00
ТКУ-4			Правая	135,00
ТКУ-5	95	Гаражные ворота Classic Промышленные ворота ProPlus	Левая	226,00
ТКУ-6			Правая	226,00
ТКУ-7	152	Промышленные ворота ProPlus	Левая	438,00
ТКУ-8			Правая	438,00
ТКУ-9	Дуплексная пружина (95+152 мм)	Промышленные ворота ProPlus	Левая	646,00
ТКУ-11			Правая	646,00

СИСТЕМА БАЛАНСИРОВКИ ПОЛОТНА ВОРОТ

Элемент растяжения

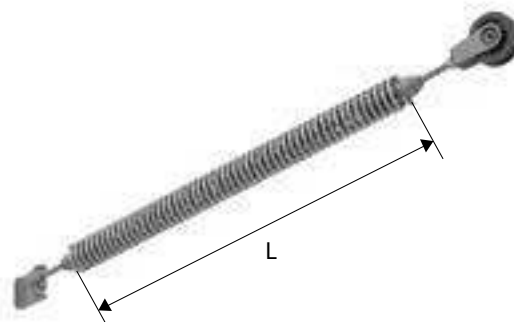
Тип ворот: гаражные ворота Classic с пружинами растяжения.

Состав: пружина растяжения в сборе (внешняя и внутренняя пружина, фиксатор, узел верхний, кронштейн).

Единица измеренияшт.

Арт.	Розничная цена, евро с НДС/м
TKU-13	93,00€ xL

L — длина пружины, м



Элемент торсионного вала

Тип ворот:

- гаражные ворота серии Classic всех типов монтажа;
- промышленные ворота ProPlus всех типов монтажа.

Состав: барабаны, два собранных с коушами троса.

Единица измеренияшт.



Арт.	Тип барабана	Типы ворот и монтажа	Розничная цена, евро с НДС/шт.	
			Трос из оцинкованной стали	Трос из нержавеющей стали
TKU-21	CD010N	Гаражные ворота Classic: стандартный и низкий монтаж Промышленные ворота ProPlus: стандартный, низкий, наклонный (5-40°), наклонный низкий (5-40°) типы монтажа	23,90€+(3,00€/м×L)	23,90€+(9,40€/м×L)
TKU-22	CD012N	Гаражные ворота Classic: стандартный и низкий монтаж Промышленные ворота ProPlus: стандартный, низкий, наклонный (5-40°), наклонный низкий (5-40°) типы монтажа	25,9€+(3,00€/м×L)	25,90€+(9,40€/м×L)
TKU-23	CD018N	Промышленные ворота ProPlus: стандартный, низкий, наклонный (5-40°), наклонный низкий (5-40°) типы монтажа	48,00€+(3,80€/м×L)	48,00€+(16,80€/м×L)
TKU-24	CD032N		227,00€+(3,80€/м×L)	227,00€+(16,80€/м×L)
TKU-25	CD032N-5/4		227,00€+(3,80€/м×L)	227,00€+(16,80€/м×L)
TKU-26	CD054H	Гаражные ворота Classic: высокий монтаж. Промышленные ворота ProPlus: высокий и наклонный высокий (5-40°) монтаж с верхним расположением вала, высокий и наклонный высокий (5-40°) монтаж с нижним расположением вала	61,90€+(3,00€/м×L)	61,90€+(9,40€/м×L)
TKU-27	CD120H	Промышленные ворота ProPlus: высокий и наклонный высокий (5-40°) монтаж с верхним расположением вала, высокий и наклонный высокий (5-40°) монтаж с нижним расположением вала	89,00€+(3,80€/м×L)	89,00€+(16,80€/м×L)
TKU-28	CD164H		270,00€+(3,80€/м×L)	270,00€+(16,80€/м×L)
TKU-29	CD164H-5/4		270,00€+(3,80€/м×L)	270,00€+(16,80€/м×L)
TKU-30	CD011V	Промышленные ворота ProPlus: вертикальный монтаж с верхним и нижним расположением вала, все типы наклонных монтажей (45°)	64,00€+(3,80€/м×L)	64,00€+(16,80€/м×L)
TKU-31	CD018V		124,00€+(3,80€/м×L)	124,00€+(16,80€/м×L)
TKU-32	CD018V-5/4		124,00€+(3,80€/м×L)	124,00€+(16,80€/м×L)

L — длина троса, м

Стойка вертикальная

Тип ворот:

- гаражные ворота Classic с торсионными пружинами;
- гаражные ворота Classic с пружинами растяжения.

Состав: угловой профиль, вертикальная направляющая, кронштейн шкива (низкий тип монтажа), соединительные пластины, боковой уплотнитель.

Единица измеренияшт.

Арт.	Тип ворот/ тип монтажа	Примечание	Розничная цена, евро с НДС/шт.
НКГ-4	Classic/стандартный монтаж	Левая	23,00€/м×Н
НКГ-5		Правая	23,00€/м×Н
НКГ-9	Classic/низкий монтаж	Левая	22,00€/м×Н
НКГ-10		Правая	22,00€/м×Н
НКГ-18	Classic/пружины растяжения	Левая	19,00€/м×Н
НКГ-19		Правая	19,00€/м×Н

Н — высота ворот, м



07

Стойка вертикальная

Тип ворот: гаражные ворота серии Classic высокого типа монтажа.

Состав: угловой профиль, вертикальная направляющая, соединительные пластины, боковой уплотнитель.

Единица измеренияшт.

Арт.	Примечание	Розничная цена, евро с НДС/шт.
НКГ-22	Левая	33,00€/м×(Н+НЛ)
НКГ-23	Правая	33,00€/м×(Н+НЛ)

Н — высота ворот, м

НЛ — высота от верха проема до горизонтальной направляющей, м



СИСТЕМА НАПРАВЛЯЮЩИХ

Стойка вертикальная

Тип ворот: промышленные ворота ProPlus.
Тип монтажа: стандартный.

Состав: угловой профиль, вертикальная направляющая, соединительные пластины, боковой уплотнитель.

Единица измеренияшт.

Арт.	Применение (система подвеса)	Примечание	Розничная цена, евро с НДС/шт.
НКI-10	GSH-4	Левая	24,00€/м×Н
НКI-11		Правая	24,00€/м×Н
НКI-14	GSH-5	Левая, нижняя часть	24,00€/м×(Н-1,5)
НКI-15		Правая, нижняя часть	24,00€/м×(Н-1,5)
НКI-16	GSH-5	Левая, верхняя часть	38,00€
НКI-17		Правая, верхняя часть	38,00€

Н — высота ворот, м



Угловая стойка, состоящая из цельного профиля (НКI-10, 11)



Нижняя часть
(НКI-14, 15)



Верхняя часть
(НКI-16, 17)

Угловая стойка, состоящая из двух отдельных частей

Стойка вертикальная

Тип ворот: промышленные ворота ProPlus.

Тип монтажа: высокий монтаж с верхним расположением вала.

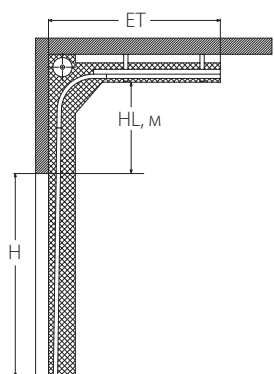
Состав: угловой профиль, вертикальная направляющая, соединительные пластины, боковой уплотнитель.

Единица измеренияшт.

Арт.	Применение (система подвеса)	Примечание	Розничная цена, евро с НДС/шт.
HKI-20	GSH-6	Левая, нижняя часть	23,00€/м×H
HKI-21		Правая, нижняя часть	23,00€/м×H
HKI-22	GSH-6	Левая, верхняя часть	23,00€/м×(HL-0,2)
HKI-23		Правая, верхняя часть	23,00€/м×(HL-0,2)
HKI-26	GSH-7	Левая	22,00€/м×(HL+H)
HKI-27		Правая	22,00€/м×(HL+H)
HKI-30	GSH-8	Левая	25,50€/м×(HL+H)
HKI-31		Правая	25,50€/м×(HL+H)

H — высота ворот, м

HL — высота от верха проема до горизонтальной направляющей, м



Угловая стойка, состоящая из цельного профиля



Угловая стойка, состоящая из двух отдельных частей

СИСТЕМА НАПРАВЛЯЮЩИХ

Стойка вертикальная

Тип ворот: промышленные ворота ProPlus.

Тип монтажа: высокий монтаж с нижним расположением вала.

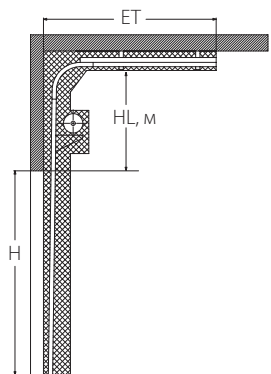
Состав: угловой профиль, вертикальная направляющая, соединительные пластины, боковой уплотнитель.

Единица измеренияшт.

Арт.	Применение (система подвеса)	Примечание	Розничная цена, евро с НДС/шт.
HKI-34	GSH-9	Левая, нижняя часть	25,50€/м×H
HKI-35		Правая, нижняя часть	25,50€/м×H
HKI-36	GSH-9	Левая, верхняя часть	27,00€/м×(HL-0,2)
HKI-37		Правая, верхняя часть	27,00€/м×(HL-0,2)
HKI-40	GSH-10	Левая	25,00€/м×(HL+H)
HKI-41		Правая	25,00€/м×(HL+H)

H — высота ворот, м

HL — высота от верха проема до горизонтальной направляющей, м



(HKI-40, 41)

Угловая стойка, состоящая из цельного профиля



Нижняя часть
(HKI-34, 35)



Верхняя часть
(HKI-36, 37)

Угловая стойка, состоящая из двух отдельных частей

Стойка вертикальная

Тип ворот: промышленные ворота ProPlus.

Тип монтажа: вертикальный монтаж с верхним расположением вала.

Состав: угловой профиль, вертикальная направляющая, соединительные пластины, боковой уплотнитель.

Единица измеренияшт.

Арт.	Применение (система подвеса)	Примечание	Розничная цена, евро с НДС/шт.
НКI-48	GSH-12	Левая, нижняя часть	23,00€/м×Н
НКI-49		Правая, нижняя часть	23,00€/м×Н
НКI-50	GSH-12	Левая, верхняя часть	25,50€/м×Н
НКI-51		Правая, верхняя часть	25,50€/м×Н
НКI-52	GSH-13	Левая	24,00€/м×(Н×2)
НКI-53		Правая	24,00€/м×(Н×2)

Н — высота ворот, м



(НКI-52, 53)

Угловая стойка, состоящая из цельного профиля


 Нижняя часть
(НКI-48, 49)

 Верхняя часть
(НКI-50, 51)

Угловая стойка, состоящая из двух отдельных частей

СИСТЕМА НАПРАВЛЯЮЩИХ

Стойка вертикальная

Тип ворот: промышленные ворота ProPlus.

Тип монтажа: вертикальный монтаж с нижним расположением вала.

Состав: угловой профиль, вертикальная направляющая, соединительные пластины, боковой уплотнитель.

Единица измеренияшт.

Арт.	Применение (система подвеса)	Примечание	Розничная цена, евро с НДС/шт.
НКI-54	GSH-14	Левая	24,00€/м×(Н×2)
НКI-55		Правая	24,00€/м×(Н×2)
НКI-60	GSH-16	Левая	18,00€/м×(Н×3)
НКI-61		Правая	18,00€/м×(Н×3)
НКI-56	GSH-15	Левая, нижняя часть	24,00€/м×Н
НКI-57		Правая, нижняя часть	24,00€/м×Н
НКI-58	GSH-15	Левая, верхняя часть	23,00€/м×Н
НКI-59		Правая, верхняя часть	23,00€/м×Н

Н — высота ворот



(НКI-54, 55, 60, 61)

Угловая стойка, состоящая из цельного профиля



Нижняя часть
(НКI-56, 57)



Верхняя часть
(НКI-58, 59)

Угловая стойка, состоящая из двух отдельных частей

Стойка вертикальная

Тип ворот: промышленные ворота ProPlus.
 Тип монтажа: наклонный.

Состав: угловой профиль, вертикальная направляющая, соединительные пластины, боковой уплотнитель.

Единица измеренияшт.

Арт.	Применение (система подвеса)	Примечание	Розничная цена, евро с НДС/шт.
HKI-62	GSH-19	Левая	27,00€/м×Н
HKI-63		Правая	27,00€/м×Н
HKI-66	GSH-20	Левая, нижняя часть	27,50€/м×(Н-1,5)
HKI-67		Правая, нижняя часть	27,50€/м×(Н-1,5)
HKI-68	GSH-20	Левая, верхняя часть	47,00€
HKI-69		Правая, верхняя часть	47,00€

Н — высота ворот



(HKI-62, 63)

Угловая стойка, состоящая из цельного профиля



Нижняя часть
(HKI-66, 67)



Верхняя часть
(HKI-68, 69)

Угловая стойка, состоящая из двух отдельных частей

СИСТЕМА НАПРАВЛЯЮЩИХ

Стойка вертикальная

Тип ворот: промышленные ворота ProPlus.

Тип монтажа: наклонный высокий монтаж с верхним расположением вала.

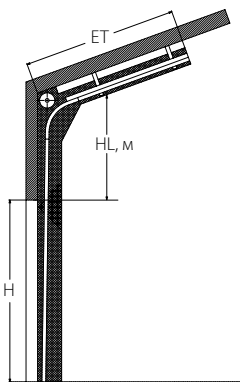
Состав: угловой профиль, вертикальная направляющая, соединительные пластины, боковой уплотнитель.

Единица измеренияшт.

Арт.	Применение (система подвеса)	Примечание	Розничная цена, евро с НДС/шт.
HKI-72	GSH-21	Левая, нижняя часть	26,00€/м×H
HKI-73		Правая, нижняя часть	26,00€/м×H
HKI-74	GSH-21	Левая, верхняя часть	28,00€/м×(H-0,2)
HKI-75		Правая, верхняя часть	28,00€/м×(H-0,2)
HKI-78	GSH-22	Левая	25,50€/м×(H+HL)
HKI-79		Правая	25,50€/м×(H+HL)
HKI-82	GSH-23	Левая	25,00€/м×(H+HL)
HKI-83		Правая	25,00€/м×(H+HL)

H — высота ворот, м

HL — высота от верха проема до горизонтальной направляющей, м



(HKI-78, 79)



(HKI-82, 83)

Угловая стойка, состоящая из цельного профиля



Нижняя часть
(HKI-72, 73)



Верхняя часть
(HKI-74, 75)

Угловая стойка, состоящая из двух отдельных частей

Стойка вертикальная

Тип ворот: промышленные ворота ProPlus.

Тип монтажа: наклонный высокий монтаж с нижним расположением вала.

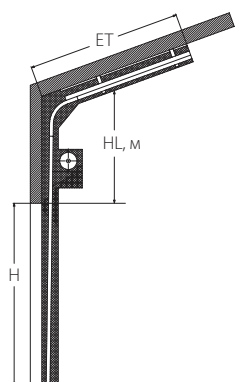
Состав: угловой профиль, вертикальная направляющая, соединительные пластины, боковой уплотнитель.

Единица измеренияшт.

Арт.	Применение (система подвеса)	Примечание	Розничная цена, евро с НДС/шт.
HKI-86	GSH-24	Левая, нижняя часть	26,00€/м×H
HKI-87		Правая, нижняя часть	26,00€/м×H
HKI-88	GSH-24	Левая, верхняя часть	38,00€/м×(H-0,2)
HKI-89		Правая, верхняя часть	38,00€/м×(H-0,2)
HKI-92	GSH-25	Левая	24,50€/м×(H+HL)
HKI-93		Правая	24,50€/м×(H+HL)

H — высота ворот, м

HL — высота от верха проема до горизонтальной направляющей, м

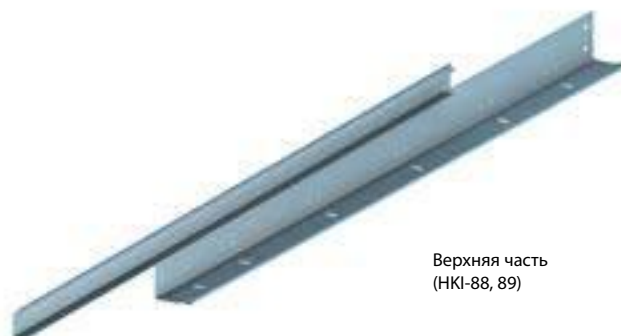


(HKI-92, 93)

Угловая стойка, состоящая из цельного профиля



Нижняя часть
(HKI-86, 87)



Верхняя часть
(HKI-88, 89)

Угловая стойка, состоящая из двух отдельных частей

СИСТЕМА НАПРАВЛЯЮЩИХ

Стойка вертикальная

Тип ворот: промышленные ворота ProPlus.
Тип монтажа: низкий.

Состав: угловой профиль, вертикальная направляющая, соединительные пластины, боковой уплотнитель, кронштейн для установки шкива.

Единица измеренияшт.

Арт.	Применение (система подвеса)	Примечание	Розничная цена, евро с НДС/шт.
НКИ-108	GSH-17	Левая	25,50€/м×Н
НКИ-109		Правая	25,50€/м×Н
НКИ-110	GSH-18	Левая, нижняя часть	25,50€/м×(Н-1,5)
НКИ-111		Правая, нижняя часть	25,50€/м×(Н-1,5)
НКИ-112	GSH-18	Левая, верхняя часть	38,00€
НКИ-113		Правая, верхняя часть	38,00€

Н — высота ворот, м

07



(НКИ-108, 109)

Угловая стойка, состоящая из цельного профиля



Нижняя часть
(НКИ-110, 111)



Верхняя часть
(НКИ-112, 113)

Угловая стойка, состоящая из двух отдельных частей

Стойка вертикальная

Тип ворот: промышленные ворота ProPlus.
 Тип монтажа: наклонный низкий.

Состав: угловой профиль, вертикальная направляющая, соединительные пластины, боковой уплотнитель, кронштейн для установки шкива.

Единица измеренияшт.

Арт.	Применение (система подвеса)	Примечание	Розничная цена, евро с НДС/шт.
НКИ-114	GSH-27	Левая	28,00€/м×Н
НКИ-115		Правая	28,00€/м×Н
НКИ-116	GSH-28	Левая, нижняя часть	27,00€/м×(Н-1,5)
НКИ-117		Правая, нижняя часть	27,00€/м×(Н-1,5)
НКИ-118	GSH-28	Левая, верхняя часть	45,00€
НКИ-119		Правая, верхняя часть	45,00€

Н — высота ворот, м



(НКИ-114, 115)

Угловая стойка, состоящая из цельного профиля



Нижняя часть
(НКИ-116, 117)



Верхняя часть
(НКИ-118, 119)

Угловая стойка, состоящая из двух отдельных частей

СИСТЕМА НАПРАВЛЯЮЩИХ

Нацельник

Тип ворот:

- гаражные ворота Classic с пружинами растяжения;
- гаражные ворота Classic низкого и стандартного типов монтажа;
- промышленные ворота ProPlus низкого и наклонного низкого типов монтажа.

Состав: профиль передний, вставка уплотнительная боковая.

Единица измеренияшт.

Арт.	Тип ворот	Тип монтажа	Розничная цена, евро с НДС/шт.
НKG-6	Classic	стандартный	8,00€/м×W
НKG-11	Classic	низкий	8,00€/м×W
	ProPlus	- низкий монтаж - наклонный низкий	8,00€/м×W
НKG-15	Classic с пружинами растяжения	—	8,00€/м×W

W — ширина ворот, м



Направляющая горизонтальная

Тип ворот:

- гаражные ворота Classic с пружинами растяжения;
- гаражные ворота Classic низкого и стандартного типов монтажа.

Состав: профиль направляющий горизонтальный, узел передний, соединительные пластины.

Единица измеренияшт.

Арт.	Тип ворот	Тип монтажа	Примечание	Розничная цена, евро с НДС/шт.
НКГ-7	Classic	Стандартный	Левая	17,00€/м×Н
НКГ-8			Правая	17,00€/м×Н
НКГ-12	Classic	Низкий	Левая	18,00€/м×Н
НКГ-13			Правая	18,00€/м×Н
НКГ-16	Classic с пружинами растяжения	-	Левая	17,00€/м×Н
НКГ-17			Правая	17,00€/м×Н

Н — высота ворот, м



07

Направляющая горизонтальная

Тип ворот: гаражные ворота Classic высокого типа монтажа.

Состав: профиль направляющий горизонтальный, узел передний, соединительные пластины.

Единица измеренияшт.

Арт.	Примечание	Розничная цена, евро с НДС/шт.
НКГ-20	Левая	15,00€/м×Н
НКГ-21	Правая	15,00€/м×Н

Н — высота ворот, м



СИСТЕМА НАПРАВЛЯЮЩИХ

Направляющая горизонтальная

Тип ворот: промышленные ворота ProPlus всех типов монтажа.

Состав: профиль направляющий горизонтальный, узел передний, соединительные пластины.

Единица измеренияшт.



Арт.	Тип монтажа	Применение (система подвеса)	Примечание	Розничная цена, евро с НДС/шт.
HKI-12	Стандартный	GSH-4	Левая	11,70€/м×H
HKI-13			Правая	11,70€/м×H
HKI-18		GSH-5	Левая	11,50€/м×H
HKI-19			Правая	11,50€/м×H
HKI-24	Высокий с верхним расположением вала	GSH-6	Левая	19,50€/м×H
HKI-25			Правая	19,50€/м×H
HKI-28		GSH-7	Левая	19,50€/м×H
HKI-29			Правая	19,50€/м×H
HKI-32		GSH-8	Левая	19,50€/м×H
HKI-33			Правая	19,50€/м×H
HKI-38	Высокий с нижним расположением вала	GSH-9	Левая	14,50€/м×H
HKI-39			Правая	14,50€/м×H
HKI-42		GSH-10	Левая	14,50€/м×H
HKI-43			Правая	14,50€/м×H
HKI-64	Наклонный	GSH-19	Левая	22,50€/м×H
HKI-65			Правая	22,50€/м×H
HKI-70		GSH-20	Левая	22,50€/м×H
HKI-71			Правая	22,50€/м×H
HKI-76	Наклонный высокий с верхним расположением вала	GSH-21	Левая	19,50€/м×H
HKI-77			Правая	19,50€/м×H
HKI-80		GSH-22	Левая	19,50€/м×H
HKI-81			Правая	19,50€/м×H
HKI-84		GSH-23	Левая	18,00€/м×H
HKI-85			Правая	18,00€/м×H
HKI-90	Наклонный высокий с нижним расположением вала	GSH-24	Левая	14,00€/м×H
HKI-91			Правая	14,00€/м×H
HKI-94		GSH-25	Левая	14,00€/м×H
HKI-95			Правая	14,00€/м×H
HKI-100	Низкий	GSH-17	Левая	22,00€/м×H
HKI-101			Правая	22,00€/м×H
HKI-102		GSH-18	Левая	22,00€/м×H
HKI-103			Правая	22,00€/м×H
HKI-104	Наклонный низкий	GSH-27	Левая	22,50€/м×H
HKI-105			Правая	22,50€/м×H
HKI-106		GSH-28	Левая	22,50€/м×H
HKI-107			Правая	22,50€/м×H

H — высота ворот, м

Система направляющих

Тип ворот:

- гаражные ворота серии Classic низкого и стандартного типов монтажа;
- гаражные ворота Standard.

Состав: система горизонтальных и вертикальных направляющих (правая и левая), боковой уплотнитель, нащельник с уплотнителем, мерная планка.

Единица измеренияшт.



Арт.	Тип ворот	Тип монтажа	Розничная цена, евро с НДС /шт. Рассчитывается по формуле:
GSH-1	Classic	Стандартный	HKG-4+HKG-5+HKG-7+HKG-8+HKG-6+PRG07N×W+19,60€
GSH-2	Classic	Низкий	HKG-9+HKG-10+HKG-12+HKG-13+HKG-11+PRG07×W+19,60€
GSH-29	Classic с пружинами растяжения	-	HKG-18+HKG-19+HKG-16+HKG-17+HKG-15+PRG07NS×W+19,60€

W — ширина ворот, м

HKG-4 — HKG-13, HKG-15 — HKG-19 — цена за €/шт.

PRG07, PRG07N, PRG07NS — цена за €/м

Прайс-лист на комплектующие для расчетной формулы расположены на стр.147-148, 305, 316-317

Система направляющих

Тип ворот: гаражные ворота серии Classic высокого типа монтажа.

Состав: система горизонтальных и вертикальных направляющих (правая и левая), боковой уплотнитель, мерная планка.

Единица измеренияшт.

Арт.	Розничная цена, евро с НДС/шт.
GSH-3	HKG-22+HKG-23+HKG-20+HKG-21+ +PRG07N×W+15,8€

W — ширина ворот, м

HKG-21 — HKG-23 — цена за €/шт.

PRG07N — цена за €/м

Прайс-лист на комплектующие для расчетной формулы расположены на стр.147-148, 305, 316-317



СИСТЕМА НАПРАВЛЯЮЩИХ

Система направляющих

Тип ворот: промышленные ворота ProPlus стандартного и высоких типов монтажа.

Состав: система горизонтальных и вертикальных направляющих (правая и левая), боковой уплотнитель, мерная планка.

Единица измеренияшт.

Арт.	Тип монтажа	Розничная цена, евро с НДС/шт. Рассчитывается по формуле:
GSH-4	Стандартный	HKI-10+HKI-11+HKI-12+HKI-13+PRG07N×W+19,00€
GSH-5		HKI-14+HKI-15+HKI-16+HKI-17+HKI-18+HKI-19+PRG07N×W+19,00€
GSH-6		HKI-20+HKI-21+HKI-22+HKI-23+HKI-24+HKI-25+PRG07N×W+19,00€
GSH-7	Высокий с верхним расположением вала	HKI-26+HKI-27+HKI-28+HKI-29+PRG07N×W+19,00€
GSH-8		HKI-30+HKI-31+HKI-32+HKI-33+PRG07N×W+19,00€
GSH-9	Высокий с нижним расположением вала	HKI-34+HKI-35+HKI-36+HKI-37+HKI-38+HKI-39+PRG07N×W+19,00€
GSH-10		HKI-40+HKI-41+HKI-42+HKI-43+PRG07N×W+19,00€

W — ширина ворот, м

HKI-10 — HKI-43 — цена €/шт.

PRG07N — цена за €/м

Прайс-лист на комплектующие для расчетной формулы расположены на стр.147, 306-308, 318



Стандартный монтаж



Высокий монтаж с верхним расположением вала



Высокий монтаж с нижним расположением вала

Система направляющих

Тип ворот: промышленные ворота ProPlus низких типов монтажа.

Состав: система горизонтальных и вертикальных направляющих (правая и левая), боковой уплотнитель, мерная планка, кронштейн под установку шкива.

Единица измеренияшт.

Арт.	Тип монтажа	Розничная цена, евро с НДС/шт. Рассчитывается по формуле:
GSH-17	Низкий	$\text{HKI-108} + \text{HKI-109} + \text{HKI-100} + \text{HKI-101} + \text{HKG-11} + \text{PRG07} \times W + 19,00\text{€}$
GSH-18		$\text{HKI-110} + \text{HKI-111} + \text{HKI-112} + \text{HKI-113} + \text{HKI-102} + \text{HKI-103} + \text{HKG-11} + \text{PRG07} \times W + 19,00\text{€}$
GSH-27	Наклонный низкий	$\text{HKI-114} + \text{HKI-115} + \text{HKI-104} + \text{HKI-105} + \text{HKG-11} + \text{PRG07} \times W + 16,80\text{€}$
GSH-28		$\text{HKI-116} + \text{HKI-117} + \text{HKI-118} + \text{HKI-119} + \text{HKI-106} + \text{HKI-107} + \text{HKG-11} + \text{PRG07} \times W + 16,80\text{€}$

W — ширина ворот, м

HKG-11, HKI-100 — HKI-119 — цена €/шт.

PRG07 — цена за €/м

Прайс-лист на комплектующие для расчетной формулы расположены на стр.148, 314-315, 318



Низкий монтаж



Наклонный низкий

СИСТЕМА НАПРАВЛЯЮЩИХ

Система направляющих

Тип ворот: промышленные ворота ProPlus вертикальных типов монтажа.

Состав: система вертикальных направляющих (правая и левая), боковой уплотнитель, мерная планка.

Единица измеренияшт.

Арт.	Тип монтажа	Розничная цена, евро с НДС /шт. Рассчитывается по формуле:
GSH-12	Вертикальный с верхним расположением вала	HKI-48+HKI-49+HKI-50+HKI-51+PRG07N×W+2,10€
GSH-13		HKI-52+HKI-53+PRG07N×W+2,10€
GSH-14	Вертикальный с нижним расположением вала	HKI-54+HKI-55+PRG07N×W+2,10€
GSH-15		HKI-56+HKI-57+HKI-58+HKI-59+PRG07N×W+2,10€
GSH-16		HKI-60+HKI-61+PRG07N×W+ 2,10€

W — ширина ворот, м

HKI-48 — HKI-61 — цена €/шт.

RG07N — цена за €/м

Прайс-лист на комплектующие для расчетной формулы расположены на стр.147, 309-310



Вертикальный монтаж с верхним расположением вала



Вертикальный монтаж с нижним расположением вала

Система направляющих

Тип ворот: промышленные ворота ProPlus наклонных типов монтажа.

Состав: система вертикальных и горизонтальных направляющих (правая и левая), боковой уплотнитель, мерная планка.

Единица измеренияшт.

Арт.	Тип монтажа	Розничная цена, евро с НДС /шт. Рассчитывается по формуле:
GSH-19	Наклонный	HKI-62+HKI-63+HKI-64+HKI-65+PRG07N×W+16,80€
GSH-20		HKI-66+HKI-67+HKI-68+HKI-69+HKI-70+HKI-71+PRG07N×W+16,80€
GSH-21	Наклонный высокий с верхним расположением вала	HKI-72+HKI-73+HKI-74+HKI-75+HKI-76+HKI-77+PRG07N×W+16,80€
GSH-22		HKI-78+HKI-79+HKI-80+HKI-81+PRG07N×W+16,80€
GSH-23		HKI-82+HKI-83+HKI-84+HKI-85+PRG07N×W+16,80€
GSH-24	Наклонный высокий с нижним расположением вала	HKI-86+HKI-87+HKI-88+HKI-89+HKI-90+HKI-91+PRG07N×W+16,80€
GSH-25		HKI-92+HKI-93+HKI-94+HKI-95+PRG07N×W+16,80€

W — ширина ворот, м

HKI-62 — HKI-95 — цена €/шт.

RG07N — цена за €/м

Прайс-лист на комплектующие для расчетной формулы расположены на стр.147, 311-313, 318

07



Наклонный высокий монтаж с нижним расположением вала



Наклонный высокий монтаж с верхним расположением вала



Наклонный

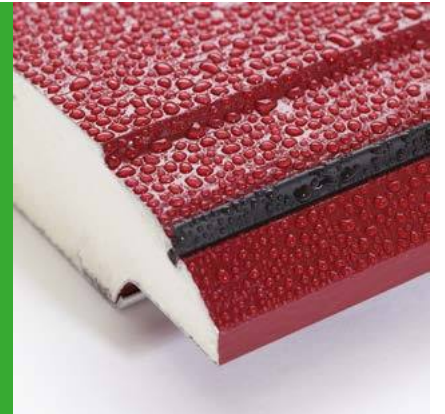


Воротные СИСТЕМЫ

Гаражные ворота TREND

**Промышленные ворота
PROTREND**

Каталог комплектующих



Артикул	№ страницы
4,8×9,5SDX	218
6,3×16S	217
6,3×25S-SS	218
8×25S	218
AC-1	171
AC-5/4	171
B133	138
B134	137
B-180TL	142
B-180TLL	143
B-180TLR	143
B-180TNL	142
B-180TNR	142
B-180TR	142
B0300	147
B-3500	147
B-3501	149
B-3509	148
BB0401	193
BR0400	193
BS11	84
BSB0302	158
C2×0,5	110
C-9/52	65
C-36/41	113
C-36/41M	113
C0502	207
CD010N	181
CD011V	184
CD012N	181
CD018N	181
CD018V	184
CD018V-5/4	184
CD032N	182
CD032N-5/4	182
CD054H	182
CD120H	183
CD164H	183
CD164H-5/4	183
CH0501	207
CP113-80	144
CP113-100	144
CP113-120	144
CP113-130	144
CP113-150	144
CP113-180	144
CP-133	145
CP0506	204
CP813-100	144
CP813-120	144
CP813-150	144
CP813-180	144
CP861	145
CP864	145
CP-3502L	140
CP-3502R	140
CP-3503LL	141
CP-3503LR	141
CP-3504NL	140
CP-3504NR	140
CR-3-250	185
CR-3-250-P	185
CR-3-250-SS	186
CR-4-250	185
CR-4-250-P	185
CR-4-250-SS	186
CR-5-250	185
CR-5-250-P	185
CR-5-250-SS	186
CR-6-250	185
CR-6-250-P	185
CR-6-250-SS	186
CRP-68	188
CRP-100	188
CRS1-3	187

Артикул	№ страницы
CRS1-4	187
CRS1-5	187
CRS1-6	187
CRS2-3	186
CRS2-4	186
CRS2-5	186
CRS2-6	186
CRT-3	186
CRT-5	186
CRT-6	186
CT40.1.01-425-2625	30
CT40.1.01-425-3025	30
CT40.1.01-425-3525	30
CT40.1.01-425-4025	30
CT40.1.01-425-4526	30
CT40.1.01-425-5040	30
CT40.1.01-450-2625	30
CT40.1.01-450-3025	30
CT40.1.01-450-3525	30
CT40.1.01-450-4025	30
CT40.1.01-450-4526	30
CT40.1.01-450-5040	30
CT40.1.01-475-2625	31
CT40.1.01-475-3025	31
CT40.1.01-475-3525	31
CT40.1.01-475-4025	31
CT40.1.01-475-4526	31
CT40.1.01-475-5040	31
CT40.1.01-500-2625	31
CT40.1.01-500-3025	31
CT40.1.01-500-3525	31
CT40.1.01-500-4025	31
CT40.1.01-500-4526	31
CT40.1.01-500-5040	31
CT40.1.01-525-2625	32
CT40.1.01-525-3025	32
CT40.1.01-525-3525	32
CT40.1.01-525-4025	32
CT40.1.01-525-4526	32
CT40.1.01-525-5040	32
CT40.1.02-425-2625	30
CT40.1.02-425-3025	30
CT40.1.02-425-3525	30
CT40.1.02-425-4025	30
CT40.1.02-425-4526	30
CT40.1.02-425-5040	30
CT40.1.02-450-2625	30
CT40.1.02-450-3025	30
CT40.1.02-450-3525	30
CT40.1.02-450-4025	30
CT40.1.02-450-4526	30
CT40.1.02-450-5040	30
CT40.1.02-475-2625	31
CT40.1.02-475-3025	31
CT40.1.02-475-3525	31
CT40.1.02-475-4025	31
CT40.1.02-475-4526	31
CT40.1.02-475-5040	31
CT40.1.02-500-2625	31
CT40.1.02-500-3025	31
CT40.1.02-500-3525	31
CT40.1.02-500-4025	31
CT40.1.02-500-4526	31
CT40.1.02-500-5040	31
CT40.1.02-525-2625	32
CT40.1.02-525-3025	32
CT40.1.02-525-3525	32
CT40.1.02-525-4025	32
CT40.1.02-525-4526	32
CT40.1.02-525-5040	32
CT40.1.05-425-2625	33
CT40.1.05-425-3025	33
CT40.1.05-425-3525	33
CT40.1.05-425-4025	33
CT40.1.05-425-4526	33

Артикул	№ страницы
CT40.1.05-425-5040	33
CT40.1.05-450-2625	33
CT40.1.05-450-3025	33
CT40.1.05-450-3525	33
CT40.1.05-450-4025	33
CT40.1.05-450-4526	33
CT40.1.05-450-5040	33
CT40.1.05-475-2625	34
CT40.1.05-475-3025	34
CT40.1.05-475-3525	34
CT40.1.05-475-4025	34
CT40.1.05-475-4526	34
CT40.1.05-475-5040	34
CT40.1.05-500-2625	34
CT40.1.05-500-3025	34
CT40.1.05-500-3525	34
CT40.1.05-500-4025	34
CT40.1.05-500-4526	34
CT40.1.05-500-5040	34
CT40.1.05-525-2625	35
CT40.1.05-525-3025	35
CT40.1.05-525-3525	35
CT40.1.05-525-4025	35
CT40.1.05-525-4526	35
CT40.1.05-525-5040	35
CT40.1.06-425-2625	33
CT40.1.06-425-3025	33
CT40.1.06-425-3525	33
CT40.1.06-425-4025	33
CT40.1.06-425-4526	33
CT40.1.06-425-5040	33
CT40.1.06-450-2625	33
CT40.1.06-450-3025	33
CT40.1.06-450-3525	33
CT40.1.06-450-4025	33
CT40.1.06-450-4526	33
CT40.1.06-450-5040	33
CT40.1.06-475-2625	34
CT40.1.06-475-3025	34
CT40.1.06-475-3525	34
CT40.1.06-475-4025	34
CT40.1.06-475-4526	34
CT40.1.06-475-5040	34
CT40.1.06-500-2625	34
CT40.1.06-500-3025	34
CT40.1.06-500-3525	34
CT40.1.06-500-4025	34
CT40.1.06-500-4526	34
CT40.1.06-500-5040	34
CT40.1.06-525-2625	35
CT40.1.06-525-3025	35
CT40.1.06-525-3525	35
CT40.1.06-525-4025	35
CT40.1.06-525-4526	35
CT40.1.06-525-5040	35
DH-4015	179
DIC043BR	67
DIC043WH	67
DIS043BR-3	67
DIS043BR-4	68
DIS043WH-3	67
DIS043WH-4	68
DP0207	109
DP2010	109
DP2027	109
DR-12-05	203
DR-12-07	203
DR-12-10	203
DR-CD010	200
DR-CD012	200
EC-40.425L	36
EC-40.425R	36
EC-40.450DL	36
EC-40.450DR	36
EC-40.450L	36

БЫСТРЫЙ ПОИСК

Артикул	№ страницы
EC-40.450R.....	36
EC-40.475L.....	36
EC-40.475R.....	36
EC-40.500DL.....	36
EC-40.500DR.....	36
EC-40.500L.....	36
EC-40.500R.....	36
EC-40.525L.....	36
EC-40.525R.....	36
EC-40.625DL.....	36
EC-40.625DR.....	36
EC-40.625L.....	36
EC-40.625R.....	36
FPB5007.....	56
FPB5009.....	57
FPB5010.....	57
FPP5008.....	57
FRK07.....	40
FWO100/145B-40.....	209
FWO100C.....	211
FWO100F.....	210
FWO100H.....	212
FWO145C.....	211
FWO145F.....	210
FWO145H.....	212
GLG-1T.....	227
GLG-2T.....	227
GLG-3T.....	224
GLG-4T.....	224
GLG-7T.....	244
GLG-10T.....	245
GSH-1T.....	275
GSH-2T.....	275
GSH-4.....	276
GSH-5.....	276
GSH-6.....	276
GSH-7.....	276
GSH-8.....	276
GSH-9.....	276
GSH-9T.....	275
GSH-10.....	276
GSH-12.....	278
GSH-13.....	278
GSH-14.....	278
GSH-15.....	278
GSH-16.....	278
GSH-17.....	277
GSH-18.....	277
GSH-19.....	279
GSH-20.....	279
GSH-21.....	279
GSH-22.....	279
GSH-23.....	279
GSH-24.....	279
GSH-25.....	279
GSH-27.....	277
GSH-28.....	277
GTS-1.....	258
HG-40.008.....	62
HGI006.002.01.....	61
HGI006.002.02.....	61
HGI006.002.03.....	61
HGI006.002.04.....	61
HGI006.002.09.....	61
HGI006.002.10.....	61
HGI006.002.12.....	61
HGI006.002.15.....	61
HGI006.002.16.....	61
HGI006.002.17.....	61
HGI006.002.18.....	61
HGI-40.006.....	61
HGI-40.007.....	62
HKG-4T.....	260
HKG-5T.....	260
HKG-6T.....	272

Артикул	№ страницы
HKG-7T.....	273
HKG-8T.....	273
HKG-9T.....	260
HKG-10T.....	260
HKG-12T.....	273
HKG-13T.....	273
HKG-16T.....	273
HKG-17T.....	273
HKG-18T.....	261
HKG-19T.....	261
HKI-10.....	262
HKI-11.....	262
HKI-12.....	274
HKI-13.....	274
HKI-14.....	262
HKI-15.....	262
HKI-16.....	262
HKI-17.....	262
HKI-18.....	274
HKI-19.....	274
HKI-20.....	263
HKI-21.....	263
HKI-22.....	263
HKI-23.....	263
HKI-24.....	274
HKI-25.....	274
HKI-26.....	263
HKI-27.....	263
HKI-28.....	274
HKI-29.....	274
HKI-30.....	263
HKI-31.....	263
HKI-32.....	274
HKI-33.....	274
HKI-34.....	264
HKI-35.....	264
HKI-36.....	264
HKI-37.....	264
HKI-38.....	274
HKI-39.....	274
HKI-40.....	264
HKI-41.....	264
HKI-42.....	274
HKI-43.....	274
HKI-48.....	265
HKI-49.....	265
HKI-50.....	265
HKI-51.....	265
HKI-52.....	265
HKI-53.....	265
HKI-54.....	266
HKI-55.....	266
HKI-56.....	266
HKI-57.....	266
HKI-58.....	266
HKI-59.....	266
HKI-60.....	266
HKI-61.....	266
HKI-62.....	267
HKI-63.....	267
HKI-64.....	274
HKI-65.....	274
HKI-66.....	267
HKI-67.....	267
HKI-68.....	267
HKI-69.....	267
HKI-70.....	274
HKI-71.....	274
HKI-72.....	268
HKI-73.....	268
HKI-74.....	268
HKI-75.....	268
HKI-76.....	274
HKI-77.....	274
HKI-78.....	268

Артикул	№ страницы
HKI-79.....	268
HKI-80.....	274
HKI-81.....	274
HKI-82.....	268
HKI-83.....	268
HKI-84.....	274
HKI-85.....	274
HKI-86.....	269
HKI-87.....	269
HKI-88.....	269
HKI-89.....	269
HKI-90.....	274
HKI-91.....	274
HKI-92.....	269
HKI-93.....	269
HKI-94.....	274
HKI-95.....	274
HKI-100.....	274
HKI-101.....	274
HKI-102.....	274
HKI-103.....	274
HKI-104.....	274
HKI-105.....	274
HKI-106.....	274
HKI-107.....	274
HKI-108.....	270
HKI-109.....	270
HKI-110.....	270
HKI-111.....	270
HKI-112.....	270
HKI-113.....	270
HKI-114.....	271
HKI-115.....	271
HKI-116.....	271
HKI-117.....	271
HKI-118.....	271
HKI-119.....	271
HKI-120.....	272
HKU001.....	208
HKU-002.....	208
I0500.....	203
IB-86M.....	192
IB-111M.....	192
IB-127M.....	192
IB-152-5/4.....	192
IB-152M.....	192
IB-4508.....	195
IB-4509.....	195
IBB-4501.....	190
IBB-4502.....	190
IBB-4510.....	191
IH-200.....	51
IH-201.....	51
IP-95-3800.....	178
IP-152-3400.....	178
IS85-2550.....	125
IS85-3060.....	125
IS85-3550.....	125
IS85-4100.....	125
IS85-4580.....	125
IS85-6000.....	125
IS85-7000.....	125
IS85-8000.....	125
LD-3507L.....	120
LD-3507R.....	120
LHT-3004.....	160
LP-3514.....	150
LP-3515.....	150
LPA-5T.....	250
LPA-6T.....	251
LPA-7T.....	252
LPA-8T.....	253
LPA-19T.....	250
LPA-20T.....	251
LPA-21T.....	252

Артикул	№ страницы
LPA-22T	253
LPA-27T	246
LPA-28T	246
LPA-29T	247
LPA-31T	249
LPA-32T	254
LPA-33T	255
LPA-34T	256
LPA-35T	257
LPA-41T	249
LPA-42T	254
LPA-43T	255
LPA-44T	256
LPA-45T	257
LPF-1T	224
LPF-2T	225
LPF-3T	225
LPU-1T	228
LPU-3T	229
LPU-5T	232
LPU-6T	233
LPU-7T	234
LPU-8T	235
LPU-15T	228
LPU-17T	229
LPU-19T	232
LPU-20T	233
LPU-21T	234
LPU-22T	235
LPU-27T	224
LPU-28T	225
LPU-29T	225
LPU-30T	230
LPU-31T	231
LPU-32T	236
LPU-34T	237
LPU-35T	238
LPU-36T	239
LPU-37T	240
LPU-38T	241
LPU-39T	242
LPU-40T	230
LPU-41T	231
LPU-42T	236
LPU-44T	237
LPU-45T	238
LPU-46T	239
LPU-47T	240
LPU-48T	241
LPU-49T	242
LS-1017	72
M3N	217
M5×22SDX	219
M6×12BKL	216
M6×16BKL	216
M6×16BP	215
M6N	217
M8×16BKL	216
M8×25BKL	216
M8N	217
M10×25B	215
M10×55SCOL	218
M10×70B	215
M10×130B	216
M10N	217
MS-550	146
MW40.1.01-500	24
MW40.1.01-625	24
MW40.1.02-500	24
MW40.1.02-625	24
MW40.1.03-500	24
MW40.1.03-625	24
MW40.1.04-500	24
MW40.1.04-625	24
MW40.1.09-500	24

Артикул	№ страницы
MW40.1.09-625	24
MW40.1.10-500	24
MW40.1.10-625	24
MW40.1.12-500	24
MW40.1.12-625	24
MW40.1.14-500	24
MW40.1.14-625	24
MW40.1.16-500	24
MW40.1.16-625	24
MW40.1.20-500	24
MW40.1.20-625	24
NAC-1KW	170
P19L	59
P19R	59
P1012	70
P-1501	69
P-1502	69
PB-100L	189
PB-100R	189
PC-4506	167
PR0503	207
PRD85	56
PRD85	56
PRD112	94
PRD113	93
PRD113	93
PRD120	39
PRD121	39
PRD122	38
PRD123	39
PRD124	38
PRD125	38
PRD126	40
PRG01	121
PRG01LFL	122
PRG01LFR	122
PRG01LL	122
PRG01LR	122
PRG03	127
PRG055	123
PRG06	156
PRG07	134
PRG07N	133
PRG09	156
PRG-12	105
PRG-13	105
PRG-16	107
PRG-17	107
PRG-19-4290	58
PRG-19-4950	58
PRG-19-5610	58
PRG-19-6600	58
PRG-20-4290	58
PRG-20-4950	58
PRG-20-5610	58
PRG-20-6600	58
PRG-30L-1770	120
PRG-30L-1895	120
PRG-30L-2020	120
PRG-30L-2145	120
PRG-30L-2270	120
PRG-30L-2395	120
PRG-30L-2520	120
PRG-30L-2645	120
PRG-30L-2770	120
PRG-30L-2895	120
PRG-30L-3020	120
PRG-30L-3145	120
PRG-30R-1770	120
PRG-30R-1895	120
PRG-30R-2020	120
PRG-30R-2145	120
PRG-30R-2270	120
PRG-30R-2395	120
PRG-30R-2520	120

Артикул	№ страницы
PRG-30R-2645	120
PRG-30R-2770	120
PRG-30R-2895	120
PRG-30R-3020	120
PRG-30R-3145	120
PRG-31-5700	126
PRG-31-6040	126
PRG-32-5700	126
PRG-33-5700	132
PRG-35-5700	123
PRG-36-5700	55
PRG-36-7040	55
PRG-37-5700	54
PRG-37-7040	54
PRG-38-5700	54
PRG-38-7040	54
PRP01	40
R-130-12-G	52
R-205-12-G	52
RBI-40.100L	47
RBI-40.100R	47
RBI-40.110DL	46
RBI-40.110DR	46
RBI-40.110L	46
RBI-40.110R	46
RBI-40.120DL	48
RBI-40.120DR	48
RBI-40.120L	47
RBI-40.120R	47
RBI-40.123	44
RBI-40.126L	42
RBI-40.126R	42
RBI-40.127	42
RBT-100L	45
RBT-100R	45
RBT-110L	45
RBT-110R	45
RBT-200L	43
RBT-200R	43
RBT-210L	43
RBT-210R	43
RBT-310L	41
RBT-310R	41
RBT-320L	41
RBT-320R	41
RC0505	204
RE101FL-5	129
RE101FL-10	129
RE101FL-15	129
RE101FL-20	129
RE101FL-25	129
RE101FL-30	129
RE101FL-35	129
RE101FL-40	129
RE101FL-45	129
RE101FR-5	129
RE101FR-10	129
RE101FR-15	129
RE101FR-20	129
RE101FR-25	129
RE101FR-30	129
RE101FR-35	129
RE101FR-40	129
RE101FR-45	129
RE101L	128
RE101R	128
RE-801T	128
RK-4500	63
RK-6000	63
RL40.0.01-450	28
RL40.0.01-500	28
RL40.0.05-450	28
RL40.0.05-500	28
RL40.0.06-450	28
RL40.0.06-500	28

БЫСТРЫЙ ПОИСК

Артикул	№ страницы	Артикул	№ страницы	Артикул	№ страницы
RL40.0.07-450	28	RSS-12T-2410	124	T-100-6000	139
RL40.0.07-500	28	RSS-12T-2700	124	TB006	155
RL40.0.14-450	28	RSS-12T-3160	124	TB007	155
RL40.0.14-500	28	RST01	60	TB-191T-300	151
RL40.0.16-450	28	RST-13T	124	TB-191T-500	151
RL40.0.16-500	28	RSW06	95	TB-191T-800	151
RL40.1.01-450	28	RT-130-12-G	53	TB-191T-1000	151
RL40.1.01-500	28	RT-205-12-G	53	TB-192T	152
RL40.1.02-450	28	S140LFL-5	131	TB193S-330	152
RL40.1.02-500	28	S140LFL-10	131	TB193S-680	152
RLG003.226.01	64	S140LFL-15	131	TB193S-910	152
RLG003.226.02	64	S140LFL-20	131	TB-194T	151
RLG003.226.03	64	S140LFL-25	131	TB603	153
RLG003.226.04	64	S140LFL-30	131	TB604	154
RLG003.226.09	64	S140LFL-35	131	TB607-300	153
RLG003.226.10	64	S140LFL-40	131	TB607-500	153
RLG003.226.12	64	S140LFL-45	131	TB607-800	153
RLG003.226.15	64	S140LFR-5	131	TB607-1000	153
RLG003.226.16	64	S140LFR-10	131	TB607-1500	153
RLG003.226.17	64	S140LFR-15	131	TB-4507	194
RLG003.226.18	64	S140LFR-20	131	TBB-4505	191
RLI0103	65	S140LFR-25	131	TBI510ML	196
RLT-403	64	S140LFR-30	131	TBI510MR	196
RM40.0.01-450	27	S140LFR-35	131	TBI520ML	196
RM40.0.01-500	27	S140LFR-40	131	TBI520MR	196
RM40.0.05-450	27	S140LFR-45	131	TBI530ML	196
RM40.0.05-500	27	S140LL	131	TBI530MR	196
RM40.0.06-450	27	S140LR	131	TBI540ML	196
RM40.0.06-500	27	S-171L	135	TBI540MR	196
RM40.0.07-450	27	S-171R	135	TBI550ML	196
RM40.0.07-500	27	S-172L	135	TBI550MR	196
RM40.0.16-450	27	S-172R	135	TBI560ML	196
RM40.0.16-500	27	S0504	204	TBI560MR	196
RM40.1.01-450	27	S-3505LL	130	TBI570ML	196
RM40.1.01-500	27	S-3505LR	130	TBI570MR	196
RM40.1.02-450	27	S-3506NL	130	TBI580L	196
RM40.1.02-500	27	S-3506NR	130	TBI580R	196
RM0104-4500	63	SA-5/4	170	TBI590L	196
RP-40.123	49	SB0100	63	TBI590R	196
RP-40.123D	49	SB2125	165	TBI922	154
RP-40.125	50	SB-235	157	TBI923	154
RP-40.125D	50	SB-485	157	TBI924	155
RS40.0.05-500	26	SBD-86L	180	TBT-916L	197
RS40.0.05-625	26	SBD-86R	180	TBT-916R	197
RS40.0.06-500	26	SBD-111L	180	TBT-4503	194
RS40.0.06-625	26	SBD-111R	180	TKU-1	258
RS40.0.07-500	26	SBD-127L	180	TKU-2	258
RS40.0.07-625	26	SBD-127R	180	TKU-3	258
RS40.1.01-500	25	SBD-152L	180	TKU-4	258
RS40.1.01-625	25	SBD-152R	180	TKU-5	258
RS40.1.02-500	25	SBD-TL	180	TKU-6	258
RS40.1.02-625	25	SBD-TR	180	TKU-7	258
RS40.1.03-500	25	SBD-TSS5/4L	180	TKU-8	258
RS40.1.03-625	25	SBD-TSS5/4R	180	TKU-9	258
RS40.1.04-500	25	SCG-1	199	TKU-11	258
RS40.1.04-625	25	SCI-1	199	TKU-13	259
RS40.1.09-500	25	SCI-5/4	199	TKU-21	259
RS40.1.09-625	25	SF-51	177	TKU-22	259
RS40.1.10-500	25	SF-67	177	TKU-23	259
RS40.1.10-625	25	SF-95	177	TKU-24	259
RS40.1.12-500	25	SF-152L	178	TKU-25	259
RS40.1.12-625	25	SF-152L-5/4	178	TKU-26	259
RS40.1.14-500	25	SF-152R	178	TKU-27	259
RS40.1.14-625	25	SF-152R-5/4	178	TKU-28	259
RS40.1.16-500	25	SH2205	165	TKU-29	259
RS40.1.16-625	25	SKH-38	198	TKU-30	259
RS40.1.20-500	25	SKH-75	198	TKU-31	259
RS40.1.20-625	25	SKS-38	198	TKU-32	259
RS0301	159	SKS-75	198	TN26×25VT×2000R	166
RS-3516	159	SP-230T	164	TN26×33RD×2000R	166
RSB10	60	SS-40.100	206	TN28×25BR×1150L	166
RSB11	95	SS0206	110	TN30×25WH×1075L	166
RSP16	35	SS0402	205	TN32×25YL×1120L	166
RSP26	40	SS446L	206	TN32×25YL×1400L	166
RSS-12T-2290	124	SS446R	206	TN32×33GR×1050R	166

Артикул	№ страницы	Артикул	№ страницы	Артикул	№ страницы
TN34×25RD×1400L	166	TSA90×95×1400L	175	WD-40.21L-GR	85
TN34×33BL×1375R	166	TSA90×95×1400R	175	WD-40.21R-BR	85
TN36×33OR×850R	166	TSA90×95×1500L	175	WD-40.21R-GR	85
TN36×33OR×1100R	166	TSA90×95×1500R	175	WD-40.22L-BR	85
TN38×33PN×1000R	166	TSA90×95×1800L	175	WD-40.22L-GR	85
TN40×33GN×1100R	166	TSA90×95×1800R	175	WD-40.22R-BR	85
TN42×33BK×1250R	166	TSA90×152×2200L	176	WD-40.22R-GR	85
TN45×33VT×1510R	166	TSA90×152×2200R	176	WD-40.32L-BR	96
TP-550	146	TSA95×95×1600L	175	WD-40.32L-GR	96
TSA42,5×51×900L	173	TSA95×95×1600R	175	WD-40.32R-BR	96
TSA42,5×51×900R	173	TSA95×95×1750L	175	WD-40.32R-GR	96
TSA45×51×1100L	173	TSA95×95×1750R	175	WD-40.151L.001	101
TSA45×51×1100R	173	TSA95×152×1300L	176	WD-40.151L.001	101
TSA47,5×51×1250L	173	TSA95×152×1300R	176	WD-40.151L.101	92
TSA47,5×51×1250R	173	TSA95×152×2250L	176	WD-40.151L.101	92
TSA50×51×1350L	173	TSA95×152×2250R	176	WD-40.151L.103	93
TSA50×51×1350R	173	TSA100×152×1400L	176	WD-40.151L.103	93
TSA52,5×51×1100L	173	TSA100×152×1400R	176	WD-40.151L.201	82
TSA52,5×51×1100R	173	TSA100×152×2450L	176	WD-40.151L.201	82
TSA52,5×51×1400L	173	TSA100×152×2450R	176	WD-40.151L.202	81
TSA52,5×51×1400R	173	TSA105×152×1400L	176	WD-40.151L.202	81
TSA55×51×1400L	173	TSA105×152×1400R	176	WD-40.151L.203	83
TSA55×51×1400R	173	TSA105×152×1650L	176	WD-40.151L.203	83
TSA55×67×1200L	174	TSA105×152×1650R	176	WD-40.151L.302	91
TSA55×67×1200R	174	TSA110×152×1550L	176	WD-40.151L.302	91
TSA57,5×51×1600L	173	TSA110×152×1550R	176	WD-40.151R.001	101
TSA57,5×51×1600R	173	TSA110×152×1800L	176	WD-40.151R.001	101
TSA57,5×67×1400L	174	TSA110×152×1800R	176	WD-40.151R.101	92
TSA57,5×67×1400R	174	TSA115×152×1800L	176	WD-40.151R.101	92
TSA60×51×1700L	173	TSA115×152×1800R	176	WD-40.151R.103	93
TSA60×51×1700R	173	TSA120×152×1700L	176	WD-40.151R.103	93
TSA60×67×1500L	174	TSA120×152×1700R	176	WD-40.151R.201	82
TSA60×67×1500R	174	TSA120×152×2100L	176	WD-40.151R.201	82
TSA62,5×51×1800L	173	TSA120×152×2100R	176	WD-40.151R.202	81
TSA62,5×51×1800R	173	TSH-3000	169	WD-40.151R.202	81
TSA62,5×67×1700L	174	TSH-4500	169	WD-40.151R.203	83
TSA62,5×67×1700R	174	TSH-5500	169	WD-40.151R.203	83
TSA65×51×1900L	173	TSS-5/4-3800	169	WD-40.151R.302	91
TSA65×51×1900R	173	TSS-5/4-5800	169	WD-40.151R.302	91
TSA65×67×1800L	174	TSS-5/4-6000	169	WD-40.152L.001	101
TSA65×67×1800R	174	TSS-4500	169	WD-40.152L.001	101
TSA65×95×1500L	175	TSS-5000	169	WD-40.152L.101	92
TSA65×95×1500R	175	US230S	164	WD-40.152L.101	92
TSA70×51×1400L	173	VG-368BK	71	WD-40.152L.201	82
TSA70×51×1400R	173	VG-368RBK	71	WD-40.152L.201	82
TSA70×51×2000L	173	VG-368RWH	71	WD-40.152L.202	81
TSA70×51×2000R	173	VG-368WH	71	WD-40.152L.202	81
TSA70×67×2050L	174	W043BR-CG40	67	WD-40.152L.302	91
TSA70×67×2050R	174	W043BR-TG40	67	WD-40.152L.302	91
TSA70×95×1150L	175	W043WH-CG40	67	WD-40.152R.001	101
TSA70×95×1150R	175	W043WH-TG40	67	WD-40.152R.001	101
TSA70×95×1650L	175	W046-40	66	WD-40.152R.101	92
TSA70×95×1650R	175	W050BR-40	68	WD-40.152R.101	92
TSA75×67×2200L	174	W050WH-40	68	WD-40.152R.201	82
TSA75×67×2200R	174	W060BR-40	68	WD-40.152R.201	82
TSA75×95×1300L	175	W060WH-40	68	WD-40.152R.202	81
TSA75×95×1300R	175	W085-40	66	WD-40.152R.202	81
TSA75×95×1750L	175	W095-40	66	WD-40.152R.302	91
TSA75×95×1750R	175	WD12PL	106	WD-40.152R.302	91
TSA75×152×1300L	176	WD12PR	106	WD-40.153L.001	102
TSA75×152×1300R	176	WD13PL	106	WD-40.153L.001	102
TSA80×95×1500L	175	WD13PR	106	WD-40.153L.101	93
TSA80×95×1500R	175	WD16PL	108	WD-40.153L.101	93
TSA80×95×2100L	175	WD16PR	108	WD-40.153L.201	83
TSA80×95×2100R	175	WD17PL	108	WD-40.153L.201	83
TSA80×152×1500L	176	WD17PR	108	WD-40.153L.202	82
TSA80×152×1500R	176	WD-40.01L-BR	97	WD-40.153L.202	82
TSA85×95×1250L	175	WD-40.01L-GR	97	WD-40.153L.203	83
TSA85×95×1250R	175	WD-40.01R-BR	97	WD-40.153L.203	83
TSA85×95×1600L	175	WD-40.01R-GR	97	WD-40.153L.302	92
TSA85×95×1600R	175	WD-40.11L-BR	96	WD-40.153L.302	92
TSA85×152×1250L	176	WD-40.11L-GR	96	WD-40.153R.001	102
TSA85×152×1250R	176	WD-40.11R-BR	96	WD-40.153R.001	102
TSA85×152×1750L	176	WD-40.11R-GR	96	WD-40.153R.101	93
TSA85×152×1750R	176	WD-40.21L-BR	85	WD-40.153R.101	93

БЫСТРЫЙ ПОИСК

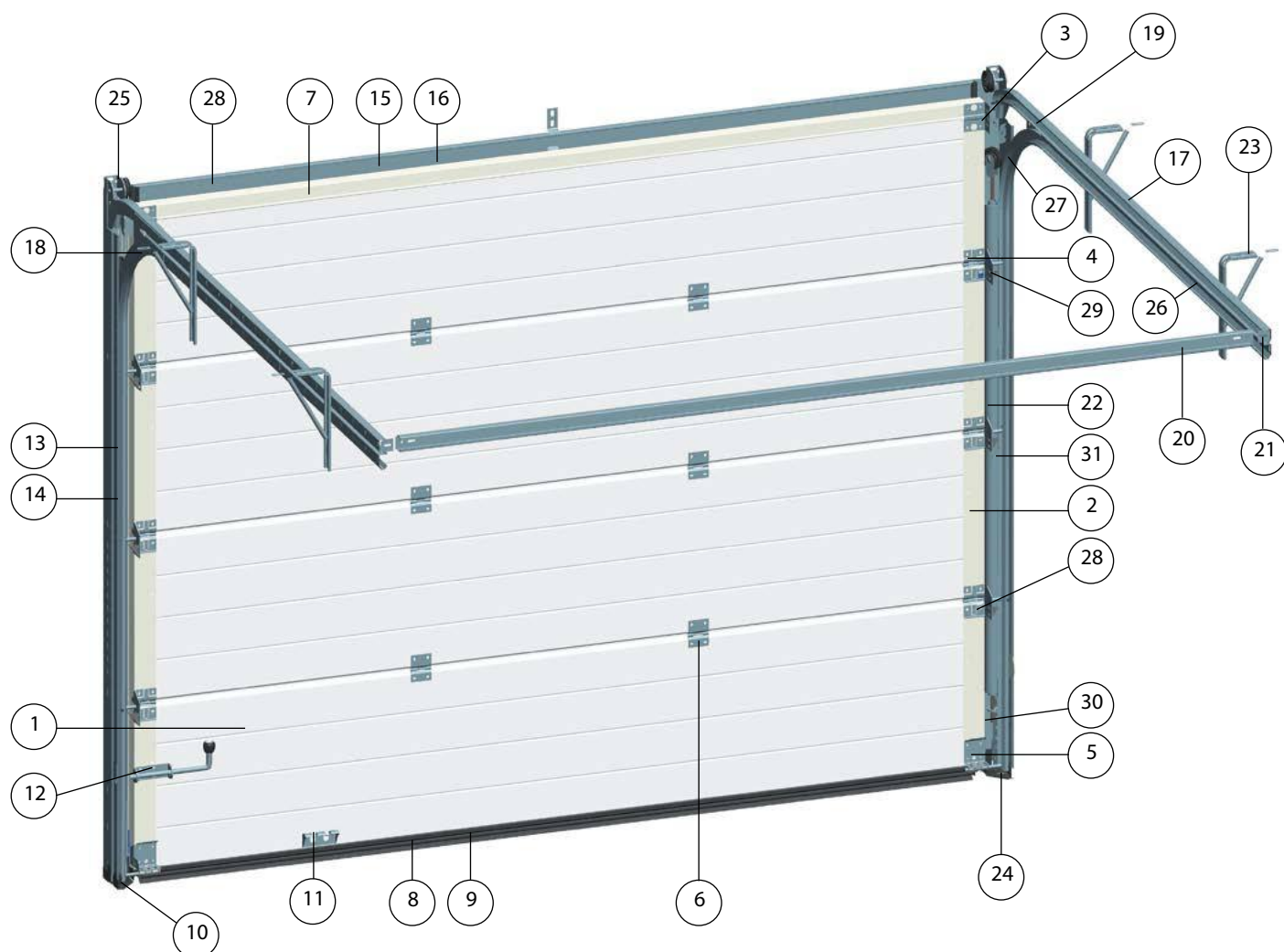
Артикул	№ страницы
WD-40.153R.201	83
WD-40.153R.201	83
WD-40.153R.202	82
WD-40.153R.202	82
WD-40.153R.203	83
WD-40.153R.203	83
WD-40.153R.302	92
WD-40.153R.302	92
WD-40.161L.001	101
WD-40.161L.001	101
WD-40.161L.101	92
WD-40.161L.101	92
WD-40.161L.201	82
WD-40.161L.201	82
WD-40.161L.202	81
WD-40.161L.202	81
WD-40.161L.302	91
WD-40.161L.302	91
WD-40.161R.001	101
WD-40.161R.001	101
WD-40.161R.101	92
WD-40.161R.101	92
WD-40.161R.201	82
WD-40.161R.201	82
WD-40.161R.202	81
WD-40.161R.202	81
WD-40.161R.302	91
WD-40.161R.302	91
WD-40.162L.001	101
WD-40.162L.001	101
WD-40.162L.101	92
WD-40.162L.101	92
WD-40.162L.201	82
WD-40.162L.201	82
WD-40.162L.202	81
WD-40.162L.202	81
WD-40.162L.302	91
WD-40.162L.302	91
WD-40.162R.001	101
WD-40.162R.001	101
WD-40.162R.101	92
WD-40.162R.101	92
WD-40.162R.201	82
WD-40.162R.201	82
WD-40.162R.202	81
WD-40.162R.202	81
WD-40.162R.302	91
WD-40.162R.302	91
WD-40.163L.001	102
WD-40.163L.001	102
WD-40.163L.101	93
WD-40.163L.101	93
WD-40.163L.201	83
WD-40.163L.201	83
WD-40.163L.202	82
WD-40.163L.202	82
WD-40.163L.302	92
WD-40.163L.302	92
WD-40.163R.001	102
WD-40.163R.001	102
WD-40.163R.101	93
WD-40.163R.101	93
WD-40.163R.201	83
WD-40.163R.201	83
WD-40.163R.202	82
WD-40.163R.202	82
WD-40.163R.302	92
WD-40.163R.302	92
WD-40.250L.101	91
WD-40.250L.101	91
WD-40.250L.201	81
WD-40.250L.201	81

Артикул	№ страницы
WD-40.250L.202	80
WD-40.250L.202	80
WD-40.250L.302	90
WD-40.250L.302	90
WD-40.250LA.202	80
WD-40.250LA.202	80
WD-40.250LA.302	90
WD-40.250LA.302	90
WD-40.250R.001	101
WD-40.250R.001	101
WD-40.250R.101	91
WD-40.250R.101	91
WD-40.250R.201	81
WD-40.250R.201	81
WD-40.250R.202	80
WD-40.250R.202	80
WD-40.250R.302	90
WD-40.250R.302	90
WD-40.250RA.202	80
WD-40.250RA.202	80
WD-40.250RA.302	90
WD-40.250RA.302	90
WD-40.260L.101	91
WD-40.260L.101	91
WD-40.260L.201	81
WD-40.260L.201	81
WD-40.260L.202	80
WD-40.260L.202	80
WD-40.260L.302	90
WD-40.260L.302	90
WD-40.260LA.202	80
WD-40.260LA.202	80
WD-40.260LA.302	90
WD-40.260LA.302	90
WD-40.260R.001	101
WD-40.260R.001	101
WD-40.260R.101	91
WD-40.260R.101	91
WD-40.260R.201	81
WD-40.260R.201	81
WD-40.260R.202	80
WD-40.260R.202	80
WD-40.260R.302	90
WD-40.260R.302	90
WD-40.260RA.202	80
WD-40.260RA.202	80
WD-40.260RA.302	90
WD-40.260RA.302	90
WD-40.350L.202	80
WD-40.350L.202	80
WD-40.350L.302	90
WD-40.350L.302	90
WD-40.350R.202	80
WD-40.350R.202	80
WD-40.350R.302	90
WD-40.350R.302	90
WD-40.360L.202	80
WD-40.360L.202	80
WD-40.360L.302	90
WD-40.360L.302	90
WD-40.360R.202	80
WD-40.360R.202	80
WD-40.360R.302	90
WD-40.360R.302	90
WD-40.403L.001	100
WD-40.403L.001	100
WD-40.403L.101	89
WD-40.403L.101	89
WD-40.403L.103	89
WD-40.403L.103	89
WD-40.403L.201	79
WD-40.403L.201	79

Артикул	№ страницы
WD-40.403L.202	79
WD-40.403L.202	79
WD-40.403L.203	79
WD-40.403L.203	79
WD-40.403L.302	89
WD-40.403L.302	89
WD-40.403R.001	100
WD-40.403R.001	100
WD-40.403R.101	89
WD-40.403R.101	89
WD-40.403R.103	89
WD-40.403R.103	89
WD-40.403R.201	79
WD-40.403R.201	79
WD-40.403R.202	79
WD-40.403R.202	79
WD-40.403R.203	79
WD-40.403R.203	79
WD-40.403R.302	89
WD-40.403R.302	89
WD-40.404L.001	100
WD-40.404L.001	100
WD-40.404L.101	89
WD-40.404L.101	89
WD-40.404L.201	79
WD-40.404L.201	79
WD-40.404L.202	79
WD-40.404L.202	79
WD-40.404L.302	89
WD-40.404L.302	89
WD-40.404R.001	100
WD-40.404R.001	100
WD-40.404R.101	89
WD-40.404R.101	89
WD-40.404R.201	79
WD-40.404R.201	79
WD-40.404R.202	79
WD-40.404R.202	79
WD-40.404R.302	89
WD-40.404R.302	89
WD-40.2013	99
WD-40.2033L	94
WD-40.2033R	94
WD100	104
WD403R.108	110
WD403R.108	110
WD2011	86
WD2014	99
WD2028	98
WD2031	86
WD2034L-BK	94
WD2034R-BK	94
WH-40.011	103
WH-40.013	103
WL32	97
WL-40.2012	111
WL0200	111
WL0202	113
WL2021-BK	112
WL2021-BR	112
WL2021-SL	112
WL2022-BK	112
WL2022-BR	112
WL2022-SL	112
B802	149
M3×25S	218
M6×12BP	215
M8×12B	215
CB132-450	136
CB132-500	136



**ГАРАЖНЫЕ ВОРОТА TREND
ПРОМЫШЛЕННЫЕ ВОРОТА PROTREND**

КОНСТРУКЦИЯ ГАРАЖНЫХ ВОРОТ TREND С ПРУЖИНАМИ РАСТЯЖЕНИЯ


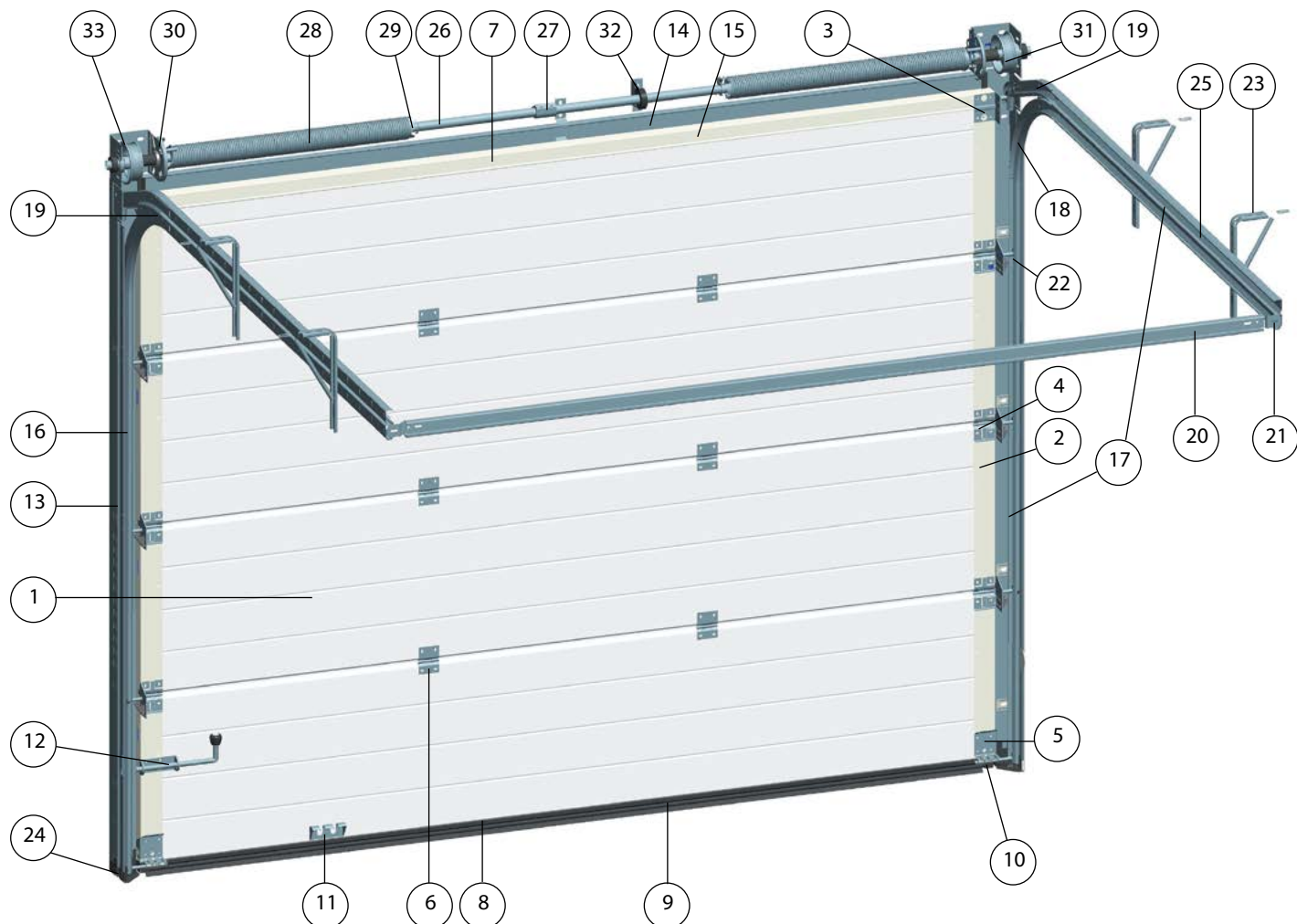
Секционные ворота «АЛЮТЕХ» соответствуют требованиям Европейских стандартов безопасности EN 12604 и EN 12453.

№	Наименование
Полотно ворот	
1	Сэндвич-панель
2	Накладка боковая
3	Кронштейн роликовый верхний
4	Кронштейн роликовый боковой
5	Кронштейн роликовый нижний
6	Петля промежуточная
7	Профиль концевой (верхний)
8	Профиль концевой (нижний)
9	Вставка уплотнительная (нижняя)
10	Упор нижний
11	Ручка
12	Засов
Системы направляющих и подвеса	
13	Профиль угловой
14	Вставка уплотнительная (боковая)
15	Профиль передний (нащельник)

№	Наименование
16	Вставка уплотнительная (верхняя)
17	Профиль направляющий
18	Элемент радиусный
19	Узел направляющий передний
20	С-профиль (мерная планка)
21	Кронштейн мерной планки
22	Кронштейн угловой
23	Подвес
24	Ограничитель угловой стойки
25	Кронштейн
26	Ограничитель
Система балансировки	
27	Узел верхний
28	Пластина
29	Фиксатор
30	Кронштейн
31	Внутренняя и наружная пружина

КОНСТРУКЦИЯ СЕКЦИОННЫХ ВОРОТ

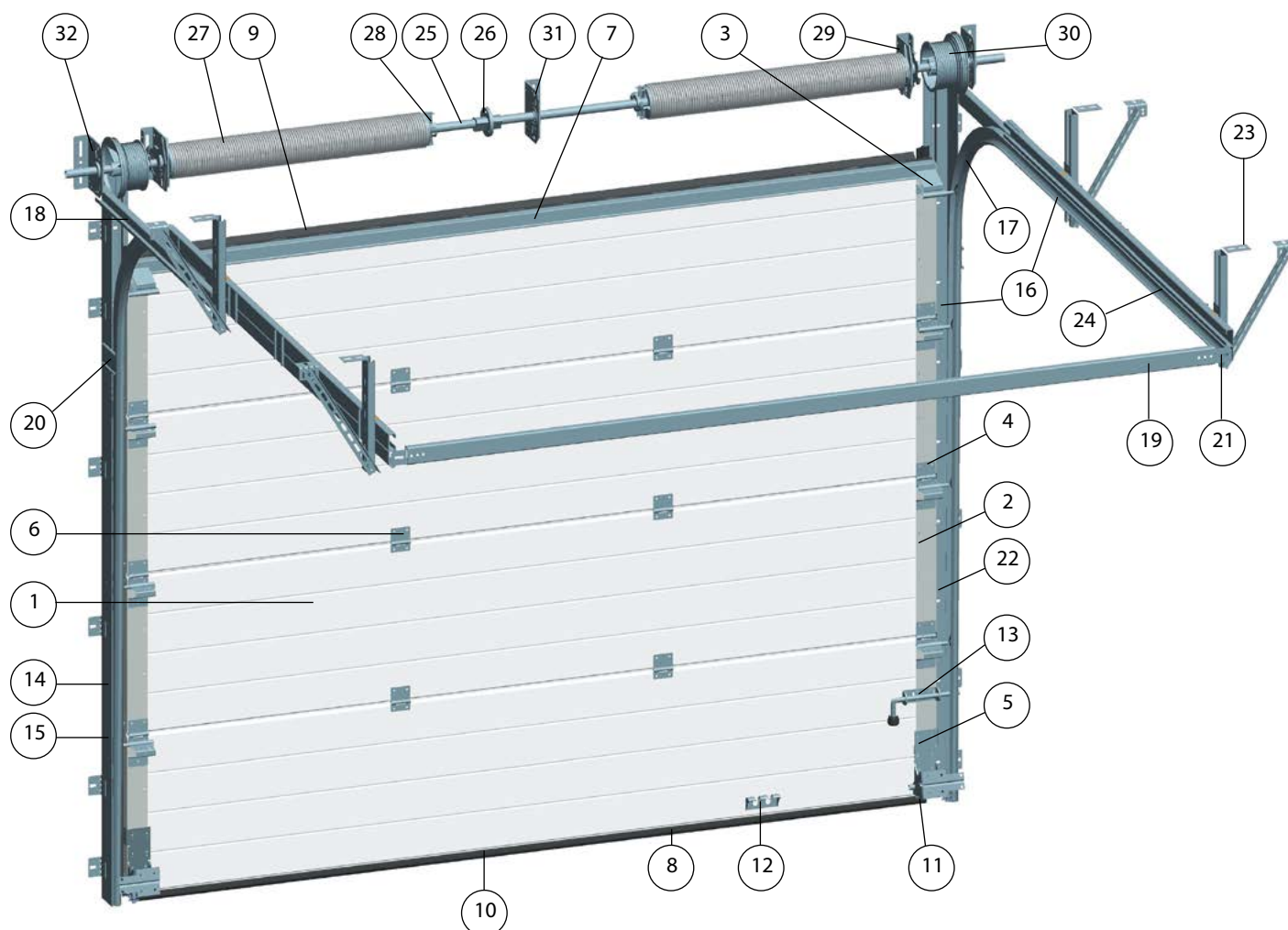
**КОНСТРУКЦИЯ ГАРАЖНЫХ ВОРОТ TREND С ТОРСИОННЫМИ ПРУЖИНАМИ
СТАНДАРТНЫЙ МОНТАЖ**



Секционные ворота «АЛЮТЕХ» соответствуют требованиям Европейских стандартов безопасности EN 12604 и EN 12453.

№	Наименование
Полотно ворот	
1	Сэндвич-панель
2	Накладка боковая
3	Кронштейн роликовый верхний
4	Кронштейн роликовый боковой
5	Кронштейн роликовый нижний
6	Петля промежуточная
7	Профиль концевой (верхний)
8	Профиль концевой (нижний)
9	Вставка уплотнительная (нижняя)
10	Упор нижний
11	Ручка
12	Засов
Системы направляющих и подвеса	
13	Профиль угловой
14	Профиль передний (нащельник)
15	Вставка уплотнительная (верхняя)
16	Вставка уплотнительная (боковая)

№	Наименование
17	Профиль направляющий
18	Элемент радиусный
19	Узел направляющий передний
20	С-профиль (мерная планка)
21	Кронштейн мерной планки
22	Кронштейн угловой
23	Подвес
24	Ограничитель угловой стойки
25	Ограничитель
Торсионный вал	
26	Вал
27	Муфта соединительная
28	Пружина
29	Наконечник пружинный
30	Муфта предохранительная храповая
31	Барaban
32	Кронштейн промежуточный
33	Кронштейн

**КОНСТРУКЦИЯ ПРОМЫШЛЕННЫХ ВОРОТ PROTREND
 СТАНДАРТНЫЙ МОНТАЖ**


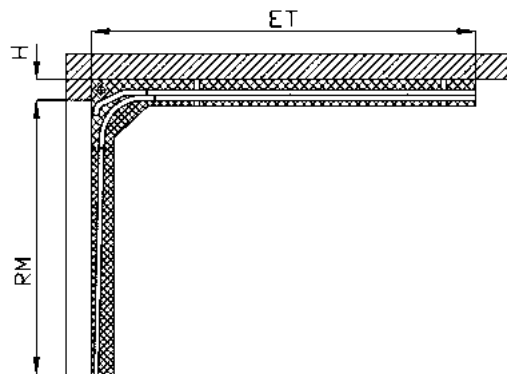
Секционные ворота «АЛЮТЕХ» соответствуют требованиям Европейских стандартов безопасности EN 12604 и EN 12453.

№	Наименование
Полотно ворот	
1	Сэндвич-панель
2	Накладка боковая
3	Кронштейн роликовый верхний
4	Кронштейн роликовый боковой
5	Кронштейн роликовый нижний
6	Петля промежуточная
7	Профиль концевой (верхний)
8	Профиль концевой (нижний)
9	Вставка уплотнительная (верхняя)
10	Вставка уплотнительная (нижняя)
11	Упор нижний
12	Ручка
13	Засов
Системы направляющих и подвеса	
14	Профиль угловой
15	Вставка уплотнительная
16	Профиль направляющий

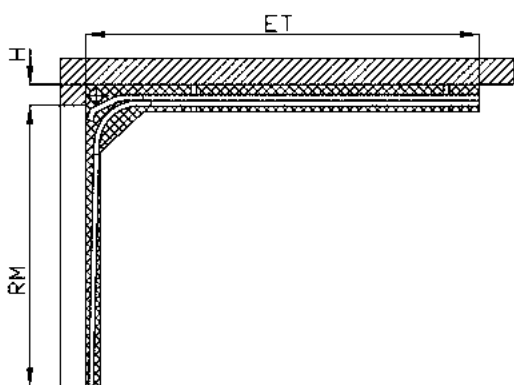
№	Наименование
17	Элемент радиусный
18	Узел передний
19	С-профиль (мерная планка)
20	Пластины соединительные
21	Кронштейн мерной планки
22	Кронштейн угловой
23	Подвес
24	Демпфер
Торсионный вал	
25	Вал
26	Муфта соединительная
27	Пружина
28	Наконечник пружинный
29	Муфта предохранительная храповая
30	Барaban
31	Кронштейн промежуточный
32	Кронштейн боковой

КОНСТРУКЦИЯ СЕКЦИОННЫХ ВОРОТ

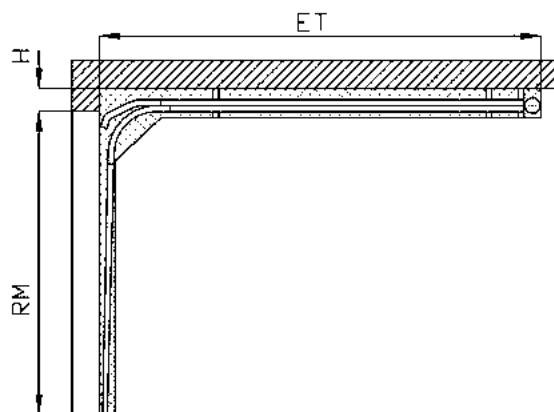
МОНТАЖНАЯ СХЕМА ГАРАЖНЫХ ВОРОТ TREND С ПРУЖИНАМИ РАСТЯЖЕНИЯ



ТИПЫ МОНТАЖА ГАРАЖНЫХ ВОРОТ TREND С ТОРСИОННЫМИ ПРУЖИНАМИ



Стандартный монтаж

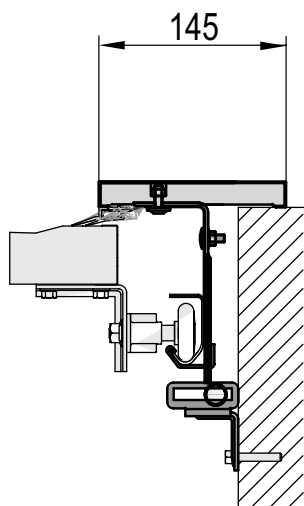


Низкий монтаж

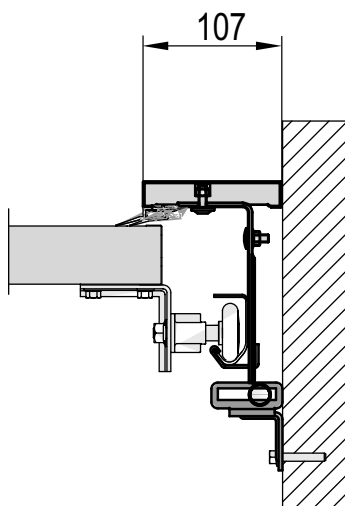
H — высота перемычки, мм
 RM — высота проема, мм
 ET — глубина вхождения ворот внутрь помещения

Тип монтажа	Минимальная высота перемычки (H), мм
Пружины растяжения	100
Стандартный монтаж	210
Низкий монтаж	100

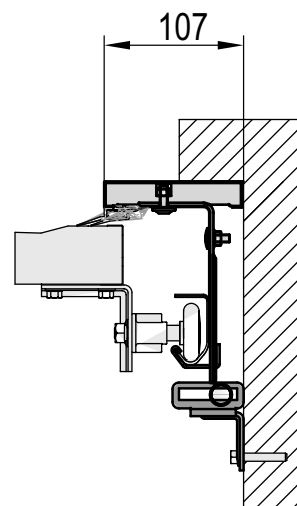
**ВСТРОЕННЫЙ МОНТАЖ ГАРАЖНЫХ ВОРОТ С ПРУЖИНАМИ РАСТЯЖЕНИЯ
И ГАРАЖНЫХ ВОРОТ НИЗКОГО ТИПА МОНТАЖА**



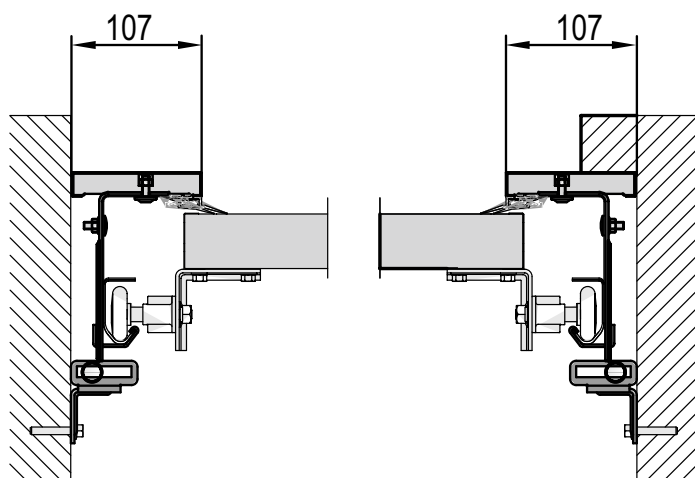
Монтаж перед проемом
Комплект арт. FWO145/145-40



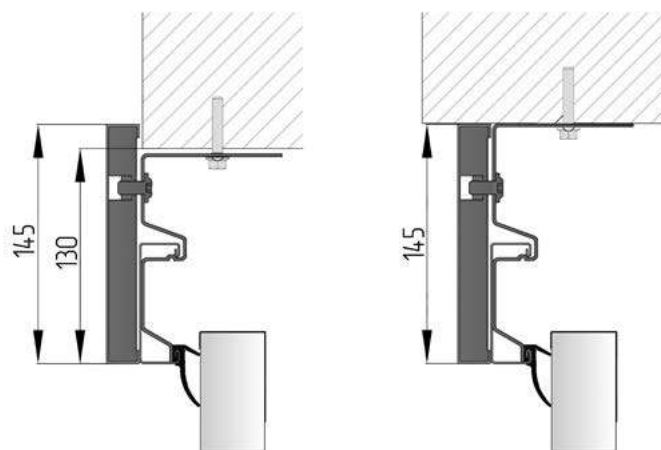
Монтаж в проем
Комплект арт. FWO100/145-40



Монтаж за проемом
Комплект арт. FWO100/145-40



Комбинированный монтаж
Комплект арт. FWO100/145-40



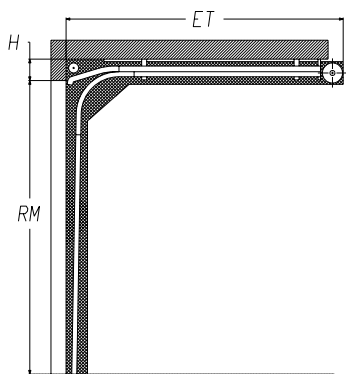
**Установка
декоративного нащельника**

Размеры боковых заплечиков и верхней перемычки:

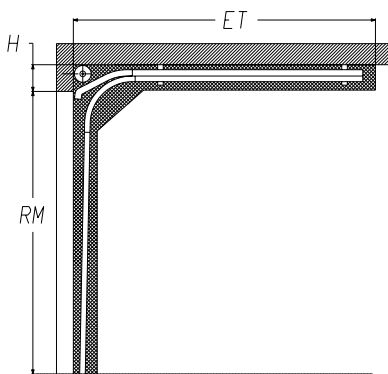
Боковые заплечики	0—125 мм
Верхняя перемычка	0—145 мм

КОНСТРУКЦИЯ СЕКЦИОННЫХ ВОРОТ

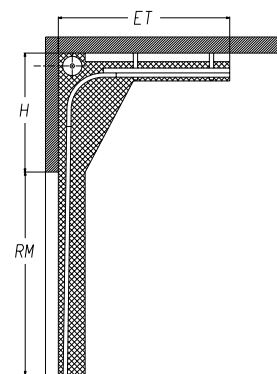
ТИПЫ МОНТАЖА ПРОМЫШЛЕННЫХ ВОРОТ PROTREND



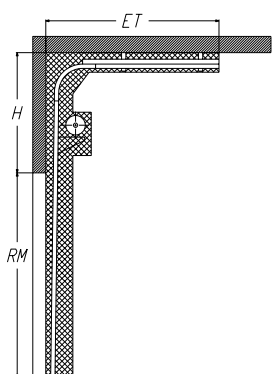
Низкий тип монтажа



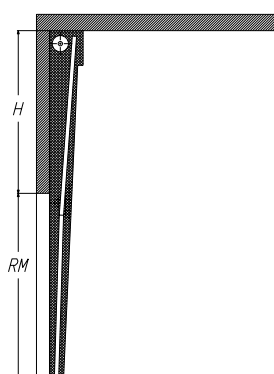
Стандартный тип монтажа



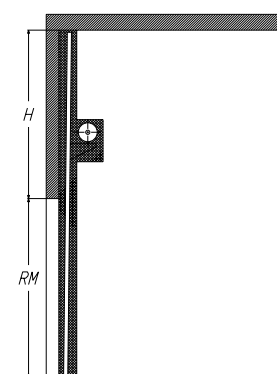
Высокий тип монтажа



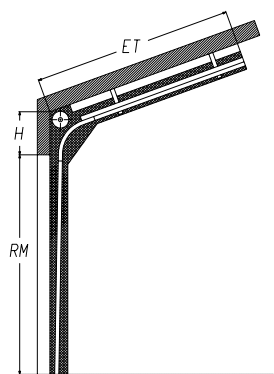
Высокий тип монтажа с нижним расположением вала



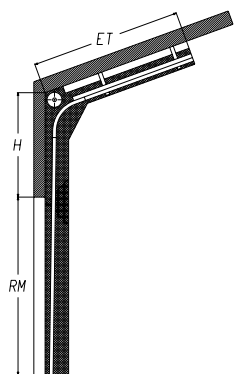
Вертикальный тип монтажа с верхним расположением вала



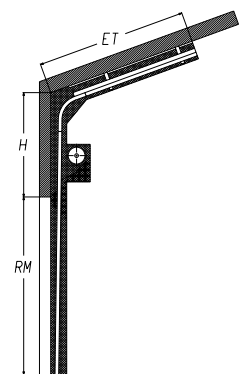
Вертикальный тип монтажа с нижним расположением вала



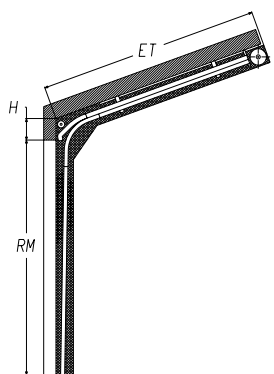
Наклонный тип монтажа



Наклонный высокий тип монтажа с верхним расположением вала



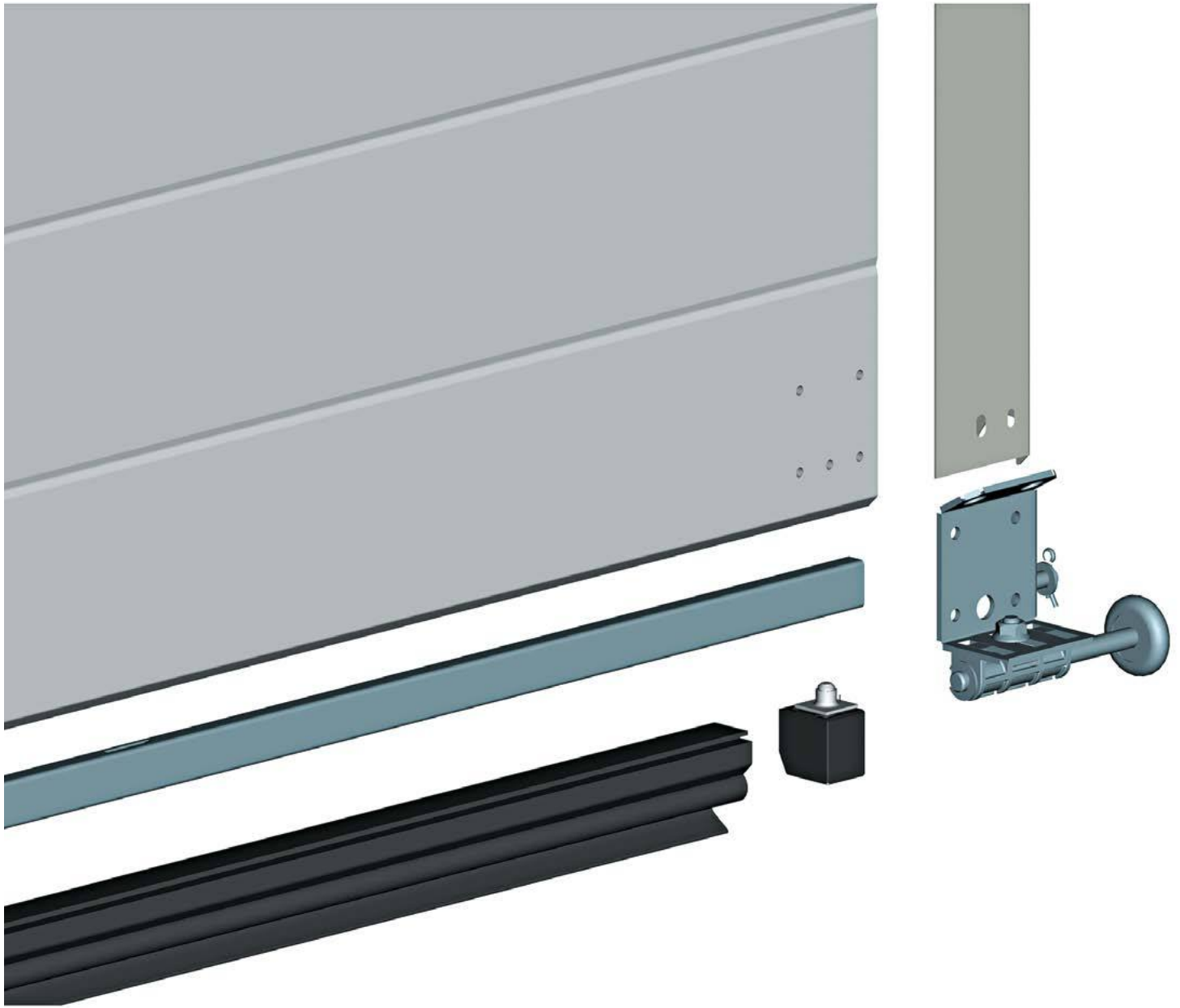
Наклонный высокий тип монтажа с нижним расположением вала



Наклонный низкий тип монтажа

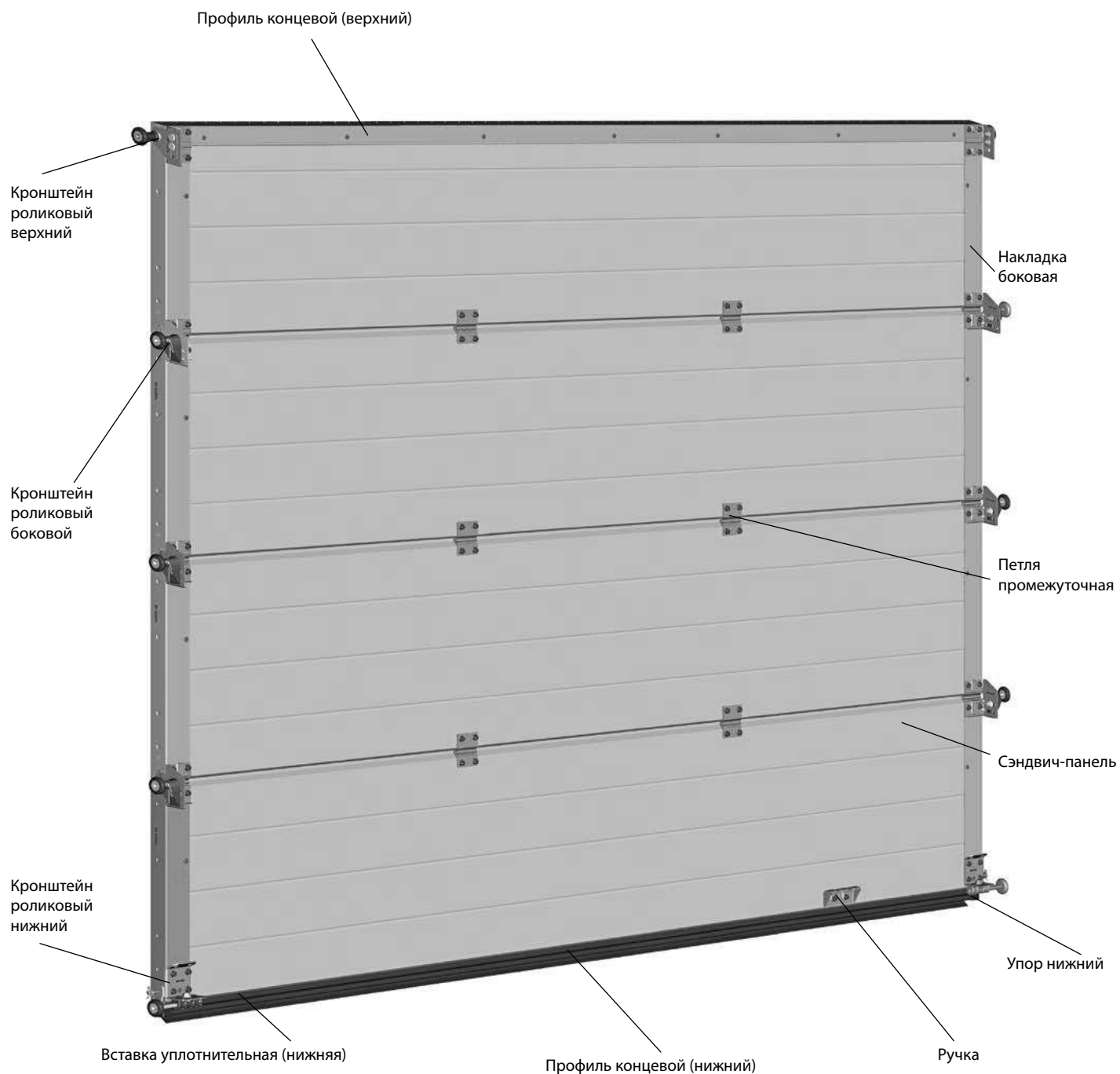
H — высота перемычки, мм
RM — высота проема, мм
ET — глубина входа ворот внутрь помещения

Тип монтажа	Минимальная высота перемычки (H), мм
Низкий монтаж	230
Стандартный монтаж	410
Высокий монтаж с верхним расположением вала	900
Высокий монтаж с нижним расположением вала	1795
Вертикальный монтаж с верхним расположением вала	RM+340
Вертикальный монтаж с нижним расположением вала	RM+340
Наклонный монтаж	490
Наклонный высокий монтаж с верхним расположением вала	900
Наклонный высокий монтаж с нижним расположением вала	1795
Наклонный низкий монтаж	275



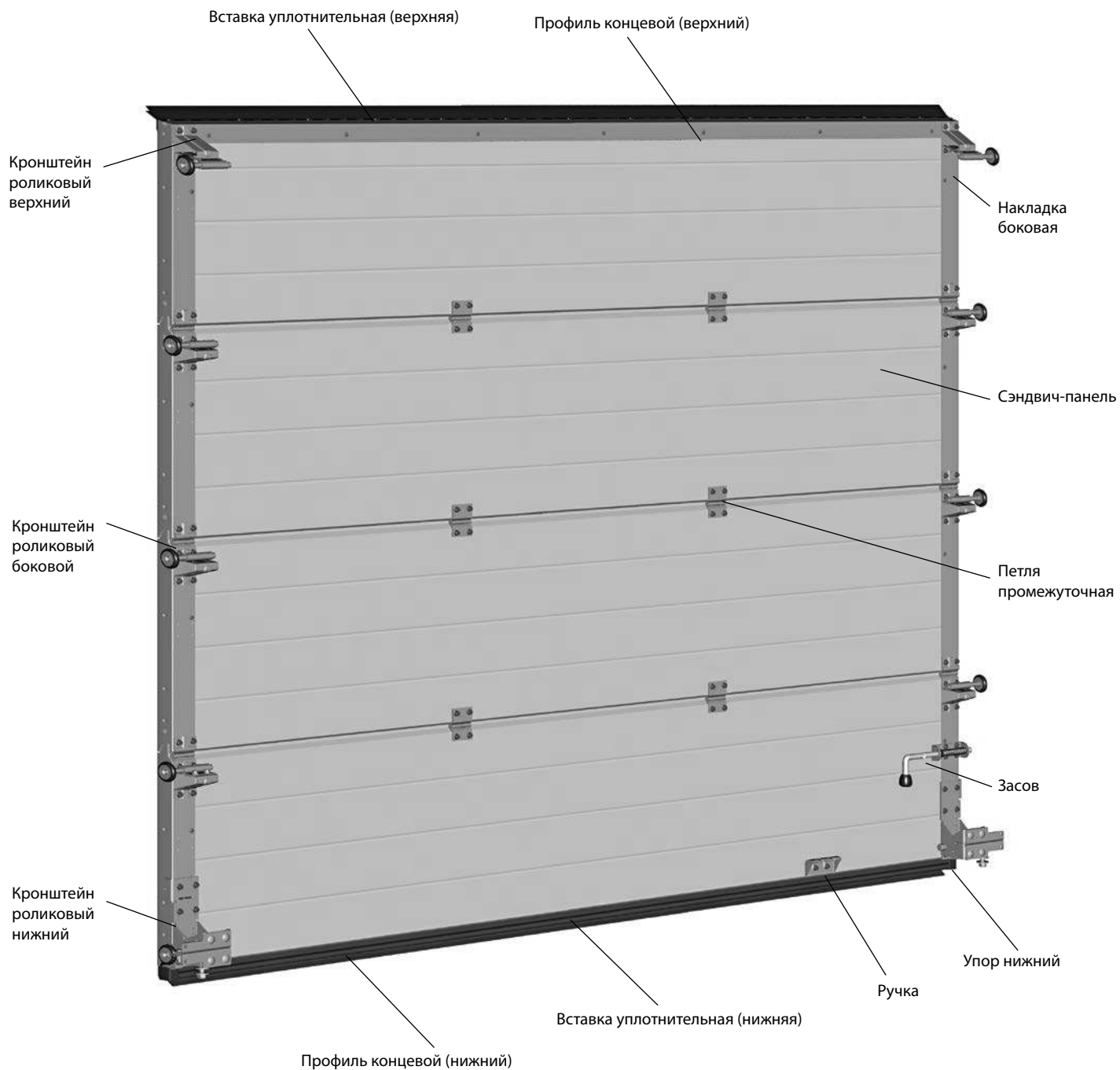
ПОЛОТНО ВОРОТ

ТИПОВАЯ КОНСТРУКЦИЯ ПОЛОТНА ГАРАЖНЫХ ВОРОТ



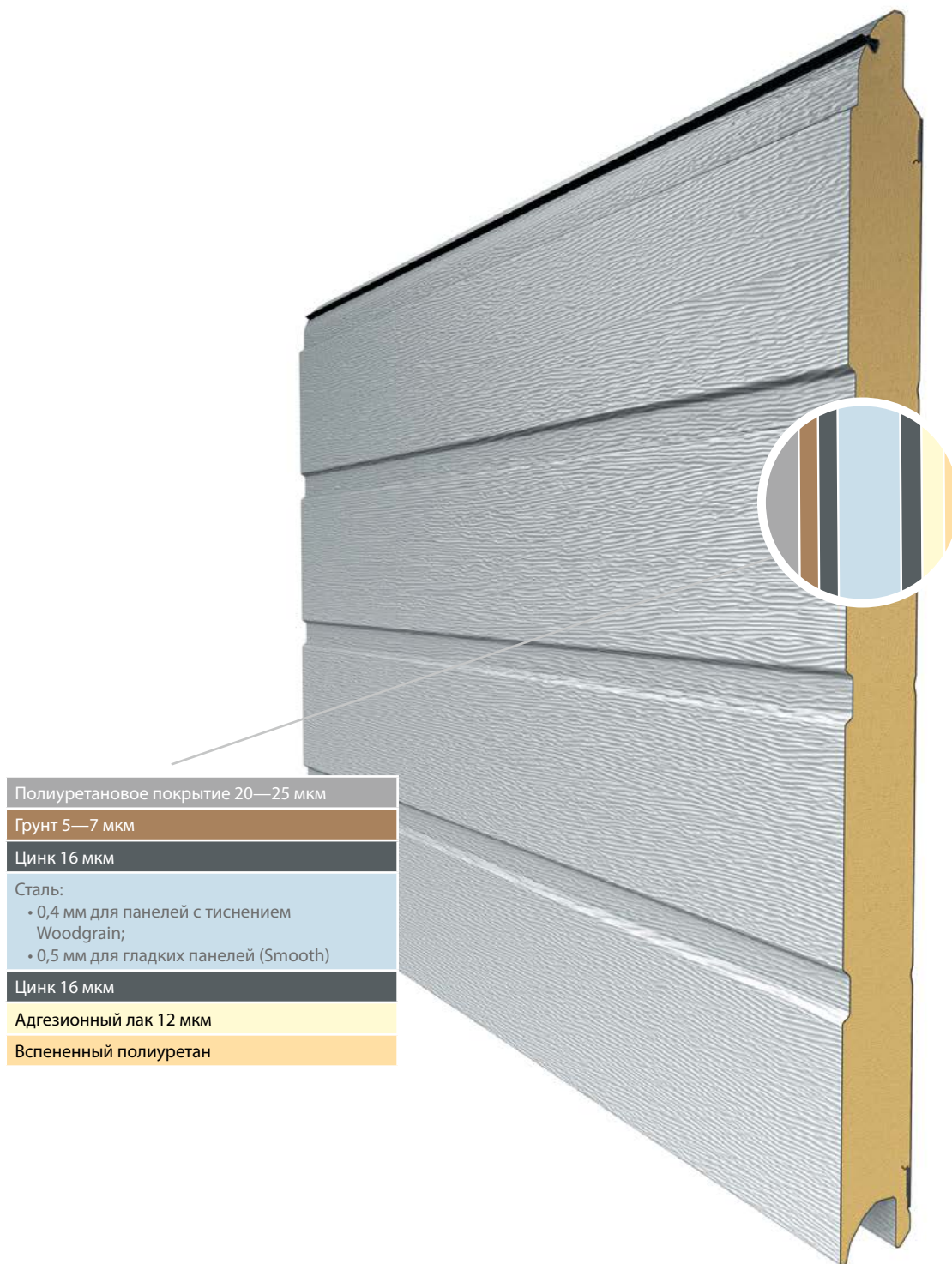
1.1

ТИПОВАЯ КОНСТРУКЦИЯ ПОЛОТНА ПРОМЫШЛЕННЫХ ВОРОТ



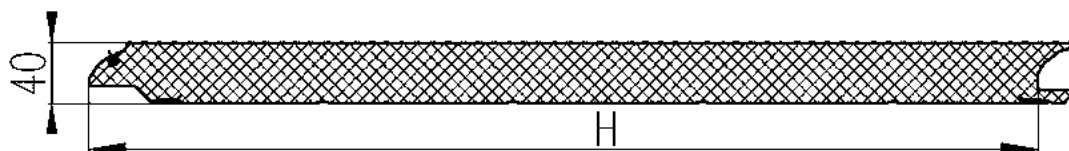
КОНСТРУКЦИЯ СЭНДВИЧ-ПАНЕЛИ ТОЛЩИНОЙ 40 ММ С ЗАЩИТОЙ ОТ ЗАЩЕМЛЕНИЯ ПАЛЬЦЕВ

1.1



СЭНДВИЧ-ПАНЕЛИ ДЛЯ ПОЛОТНА ВОРОТ

СЭНДВИЧ-ПАНЕЛИ С РИСУНКОМ «МИКРОВОЛНА»
СТРУКТУРА ПОВЕРХНОСТИ WOODGRAIN



Панель воротная

Наружная сторона: структура поверхности woodgrain с рисунком «микроволна».
Внутренняя сторона: структура поверхности woodgrain с горизонтальными полосами, цвет — бело-серый (близкий RAL9002).

Высота панели, мм 500
Толщина панели, мм 40
Вес, кг/м 4,5
Единица измерения М

Арт.	Код	Цвет*	Длина, м	Норма поставки, м	Розничная цена, евро с НДС
MW40.1.01-500	401043312	RAL9016	12,2	268,4	43,00
MW40.1.02-500	401043417	RAL8014	12,2	268,4	43,00
MW40.1.03-500	401040811	RAL9006	12,2	268,4	43,00
MW40.1.04-500	401040414	RAL5010	12,2	268,4	43,00
MW40.1.12-500	401041313	RAL3004	9,2	202,4	43,00
MW40.1.09-500	401040921	RAL6005	9,2	202,4	43,00
MW40.1.10-500	401040820	RAL1015	9,2	202,4	43,00
MW40.1.14-500	401040928	ADS703	9,2	202,4	43,00
MW40.1.20-500	401042019	RAL8017	9,2	202,4	43,00
MW40.1.16-500	401041129	RAL7016	9,2	202,4	43,00

* Указанные цвета имеют близкое соответствие шкале RAL.

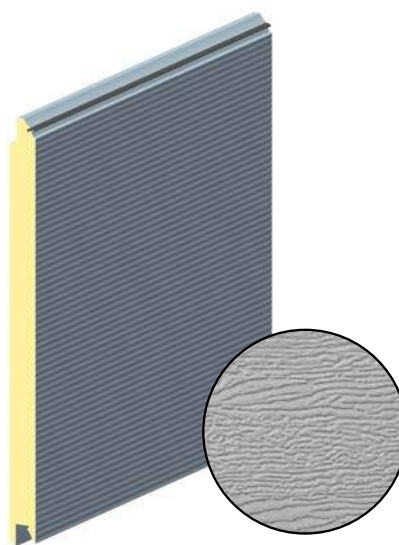
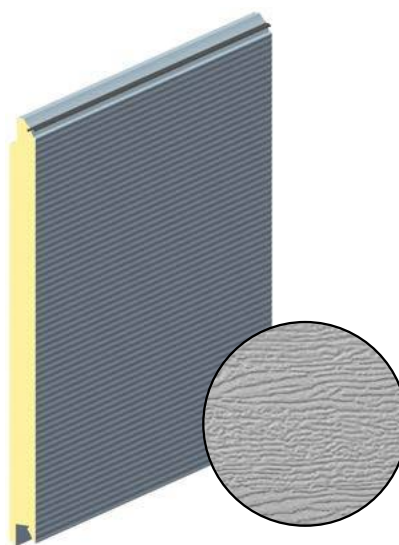
Панель воротная

Наружная сторона: структура поверхности woodgrain с рисунком «микроволна».
Внутренняя сторона: структура поверхности woodgrain с горизонтальными полосами, цвет — бело-серый (близкий RAL9002).

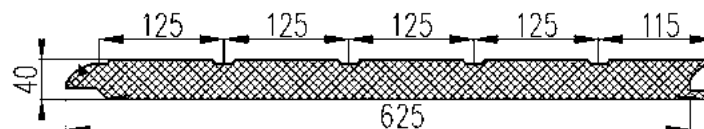
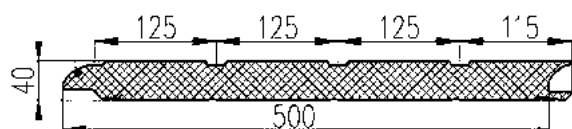
Высота панели, мм 625
Толщина панели, мм 40
Вес, кг/м 5,38
Единица измерения М

Арт.	Код	Цвет*	Длина, м	Норма поставки, м	Розничная цена, евро с НДС
MW40.1.01-625	401090512	RAL9016	12,2	268,4	52,00
MW40.1.02-625	401090417	RAL8014	12,2	268,4	52,00
MW40.1.03-625	401090611	RAL9006	12,2	268,4	52,00
MW40.1.04-625	401090514	RAL5010	12,2	268,4	52,00
MW40.1.12-625	401091013	RAL3004	9,2	202,4	52,00
MW40.1.09-625	401090521	RAL6005	9,2	202,4	52,00
MW40.1.10-625	401090520	RAL1015	9,2	202,4	52,00
MW40.1.14-625	401090428	ADS703	9,2	202,4	52,00
MW40.1.20-625	401091619	RAL8017	9,2	202,4	52,00
MW40.1.16-625	401090429	RAL7016	9,2	202,4	52,00

* Указанные цвета имеют близкое соответствие шкале RAL.



СЭНДВИЧ-ПАНЕЛИ С РИСУНКОМ S-ГОФР
СТРУКТУРА ПОВЕРХНОСТИ WOODGRAIN



Панель воротная

Наружная сторона: структура поверхности woodgrain с рисунком S-гофр (узкий гофр).

Внутренняя сторона: структура поверхности woodgrain с горизонтальными полосами, цвет — бело-серый (близкий RAL9002).

Высота панели, мм 500

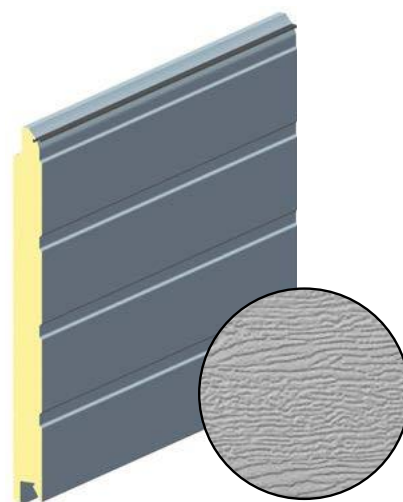
Толщина панели, мм 40

Вес, кг/м 4,53

Единица измерения м

Арт.	Код	Цвет*	Длина, м	Норма поставки, м	Розничная цена, евро с НДС
RS40.1.01-500	401043412	RAL9016	12,2	268,4	43,00
RS40.1.02-500	401043517	RAL8014	12,2	268,4	43,00
RS40.1.03-500	401040911	RAL9006	12,2	268,4	43,00
RS40.1.04-500	401040514	RAL5010	12,2	268,4	43,00
RS40.1.12-500	401041213	RAL3004	9,2	202,4	43,00
RS40.1.09-500	401041021	RAL6005	9,2	202,4	43,00
RS40.1.10-500	401040920	RAL1015	9,2	202,4	43,00
RS40.1.14-500	401041028	ADS703	9,2	202,4	43,00
RS40.1.20-500	401042119	RAL8017	9,2	202,4	43,00
RS40.1.16-500	401041229	RAL7016	9,2	202,4	43,00

* Указанные цвета имеют близкое соответствие шкале RAL.



Панель воротная

Наружная сторона: структура поверхности woodgrain с рисунком S-гофр (узкий гофр).

Внутренняя сторона: структура поверхности woodgrain с горизонтальными полосами, цвет — бело-серый (близкий RAL9002).

Высота панели, мм 625

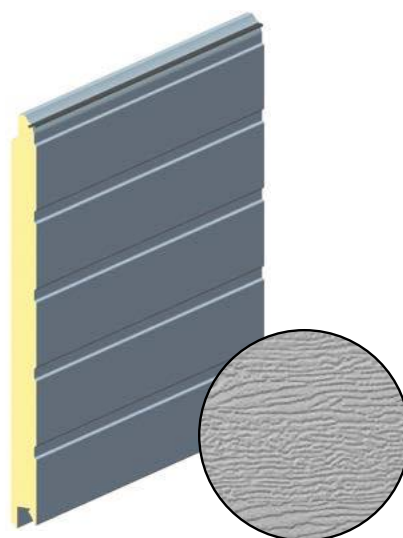
Толщина панели, мм 40

Вес, кг/м 5,4

Единица измерения м

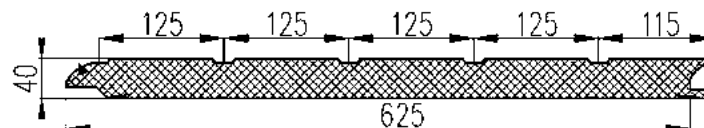
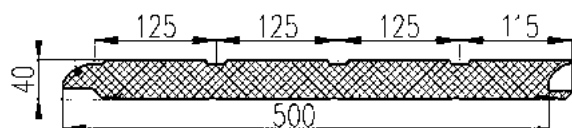
Арт.	Код	Цвет*	Длина, м	Норма поставки, м	Розничная цена, евро с НДС
RS40.1.01-625	401090612	RAL9016	12,2	268,4	52,00
RS40.1.02-625	401090517	RAL8014	12,2	268,4	52,00
RS40.1.03-625	401090711	RAL9006	12,2	268,4	52,00
RS40.1.04-625	401090614	RAL5010	12,2	268,4	52,00
RS40.1.12-625	401091113	RAL3004	9,2	202,4	52,00
RS40.1.09-625	401090621	RAL6005	9,2	202,4	52,00
RS40.1.10-625	401090620	RAL1015	9,2	202,4	52,00
RS40.1.14-625	401090528	ADS703	9,2	202,4	52,00
RS40.1.20-625	401091719	RAL8017	9,2	202,4	52,00
RS40.1.16-625	401090529	RAL7016	9,2	202,4	52,00

* Указанные цвета имеют близкое соответствие шкале RAL.



СЭНДВИЧ-ПАНЕЛИ ДЛЯ ПОЛОТНА ВОРОТ

СЭНДВИЧ-ПАНЕЛИ С РИСУНКОМ S-ГОФР
СТРУКТУРА ПОВЕРХНОСТИ «ГЛАДКАЯ»

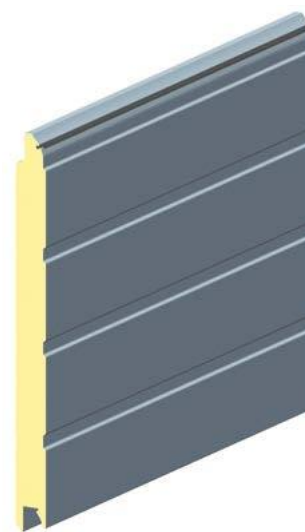


Панель воротная

Наружная сторона: гладкая с рисунком S-гофр (узкий гофр).
Внутренняя сторона: структура поверхности woodgrain с горизонтальными полосами, цвет — бело-серый (близкий RAL9002).

Высота панели, мм 500
Толщина панели, мм 40
Вес, кг/м 5,2
Единица измерения м

Арт.	Код	Цвет	Длина, м	Норма поставки, м	Розничная цена, евро с НДС
RS40.0.05-500	401043705	Golden Oak	9,2	202,4	51,00
RS40.0.06-500	401044806	Dark Oak	9,2	202,4	51,00
RS40.0.07-500	401041307	Cherry	9,2	202,4	51,00

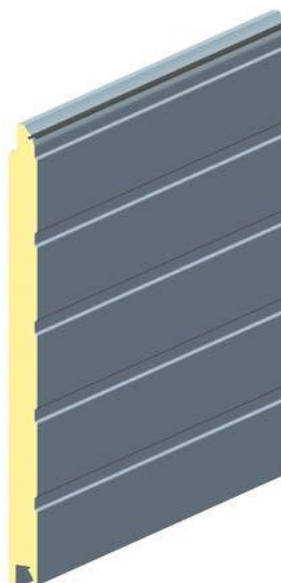


Панель воротная

Наружная сторона: гладкая с рисунком S-гофр (узкий гофр).
Внутренняя сторона: структура поверхности woodgrain с горизонтальными полосами, цвет — бело-серый (близкий RAL9002).

Высота панели, мм 625
Толщина панели, мм 40
Вес, кг/м 6,24
Единица измерения м

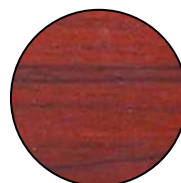
Арт.	Код	Цвет	Длина, м	Норма поставки, м	Розничная цена, евро с НДС
RS40.0.05-625	401090505	Golden Oak	9,2	202,4	60,00
RS40.0.06-625	401090506	Dark Oak	9,2	202,4	60,00
RS40.0.07-625	401090607	Cherry	9,2	202,4	60,00



Golden Oak

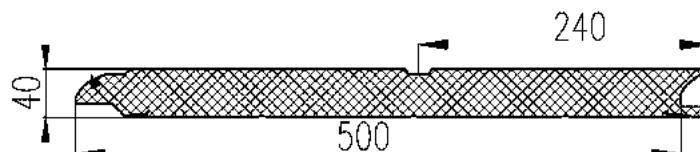
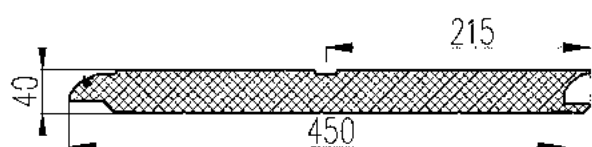


Dark Oak



Cherry

СЭНДВИЧ-ПАНЕЛИ С РИСУНКОМ М-ГОФР
СТРУКТУРА ПОВЕРХНОСТИ WOODGRAIN



Панель воротная

Наружная сторона: структура поверхности woodgrain с рисунком М-гофр (средний гофр).

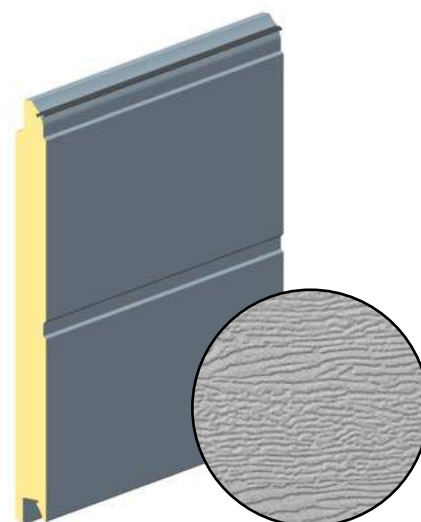
Внутренняя сторона: структура поверхности woodgrain с горизонтальными полосами, цвет — бело-серый (близкий RAL9002).

Толщина панели, мм40

Единица измеренияМ

Арт.	Код	Цвет*	Высота панели, мм	Вес, кг/м	Длина, м	Норма поставки, м	Розничная цена, евро с НДС
RM40.1.01-450	401022012	RAL9016	450	4,1	9,2	202,4	38,00
RM40.1.01-500	401043512	RAL9016	500	5,1	9,2	202,4	43,00
RM40.1.02-450	401022917	RAL8014	450	4,1	9,2	202,4	38,00
RM40.1.02-500	401043617	RAL8014	500	5,1	9,2	202,4	43,00

* Указанные цвета имеют близкое соответствие шкале RAL.



СЭНДВИЧ-ПАНЕЛИ С РИСУНКОМ М-ГОФР
СТРУКТУРА ПОВЕРХНОСТИ «ГЛАДКАЯ»

Панель воротная

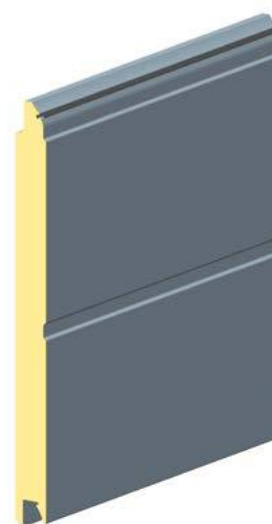
Наружная сторона: гладкая с рисунком М-гофр (средний гофр).

Внутренняя сторона: структура поверхности woodgrain с горизонтальными полосами, цвет — бело-серый (близкий RAL9002).

Толщина панели, мм40

Единица измеренияМ

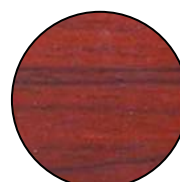
Арт.	Код	Цвет*	Высота панели, мм	Вес, кг/м	Длина, м	Норма поставки, м	Розничная цена, евро с НДС
RM40.0.01-450	401022112	RAL9016	450	4,7	9,2	202,4	38,00
RM40.0.01-500	401043612	RAL9016	500	5,1	9,2	202,4	43,00
RM40.0.16-450	401020629	RAL7016	450	4,7	9,2	202,4	38,00
RM40.0.16-500	401041329	RAL7016	500	5,1	9,2	202,4	43,00
RM40.0.05-450	401023305	Golden Oak	450	4,8	9,2	202,4	48,00
RM40.0.05-500	401043805	Golden Oak	500	5,2	9,2	202,4	51,00
RM40.0.06-450	401024306	Dark Oak	450	4,8	9,2	202,4	48,00
RM40.0.06-500	401044906	Dark Oak	500	5,2	9,2	202,4	51,00
RM40.0.07-450	401020707	Cherry	450	4,8	9,2	202,4	48,00
RM40.0.07-500	401041407	Cherry	500	5,2	9,2	202,4	51,00



Golden Oak



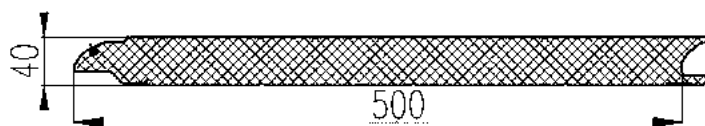
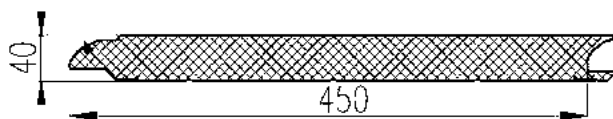
Dark Oak



Cherry

СЭНДВИЧ-ПАНЕЛИ ДЛЯ ПОЛОТНА ВОРОТ

СЭНДВИЧ-ПАНЕЛИ С РИСУНКОМ L-ГОФР
СТРУКТУРА ПОВЕРХНОСТИ WOODGRAIN



Панель воротная

Наружная сторона: структура поверхности woodgrain с рисунком L-гофр (средний гофр).

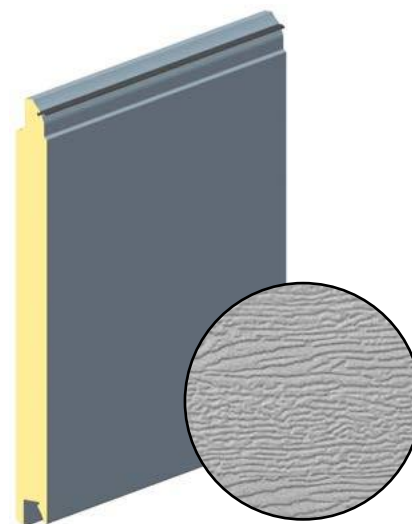
Внутренняя сторона: структура поверхности woodgrain с горизонтальными полосами, цвет — бело-серый (близкий RAL9002).

Толщина панели, мм40

Единица измеренияМ

Арт.	Код	Цвет*	Высота панели, мм	Вес, кг/м	Длина, м	Норма поставки, м	Розничная цена, евро с НДС
RL40.1.01-450	401022212	RAL9016	450	4,0	9,2	202,4	38,00
RL40.1.01-500	401043712	RAL9016	500	4,5	9,2	202,4	43,00
RL40.1.02-450	401023017	RAL8014	450	4,0	9,2	202,4	38,00
RL40.1.02-500	401043717	RAL8014	500	4,5	9,2	202,4	43,00

* Указанные цвета имеют близкое соответствие шкале RAL.



СЭНДВИЧ-ПАНЕЛИ С РИСУНКОМ L-ГОФР
СТРУКТУРА ПОВЕРХНОСТИ «ГЛАДКАЯ»

Панель воротная

Наружная сторона: гладкая с рисунком L-гофр (средний гофр).

Внутренняя сторона: структура поверхности woodgrain с горизонтальными полосами, цвет — бело-серый (близкий RAL9002).

Толщина панели, мм40

Единица измеренияМ

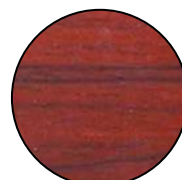
Арт.	Код	Цвет*	Высота панели, мм	Вес, кг/м	Длина, м	Норма поставки, м	Розничная цена, евро с НДС
RL40.0.01-450	401022312	RAL9016	450	4,7	9,2	202,4	38,00
RL40.0.01-500	401043812	RAL9016	500	5,1	9,2	202,4	43,00
RL40.0.14-450	401020128	ADS703	450	4,7	9,2	202,4	38,00
RL40.0.14-500	401041128	ADS703	500	5,1	9,2	202,4	43,00
RL40.0.16-450	401020729	RAL7016	450	4,7	9,2	202,4	38,00
RL40.0.16-500	401041429	RAL7016	500	5,1	9,2	202,4	43,00
RL40.0.05-450	401023405	Golden Oak	450	4,7	9,2	202,4	48,00
RL40.0.05-500	401043905	Golden Oak	500	5,1	9,2	202,4	51,00
RL40.0.06-450	401024406	Dark Oak	450	4,7	9,2	202,4	48,00
RL40.0.06-500	401045006	Dark Oak	500	5,1	9,2	202,4	51,00
RL40.0.07-450	401020807	Cherry	450	4,7	9,2	202,4	48,00
RL40.0.07-500	401041507	Cherry	500	5,1	9,2	202,4	51,00



Golden Oak

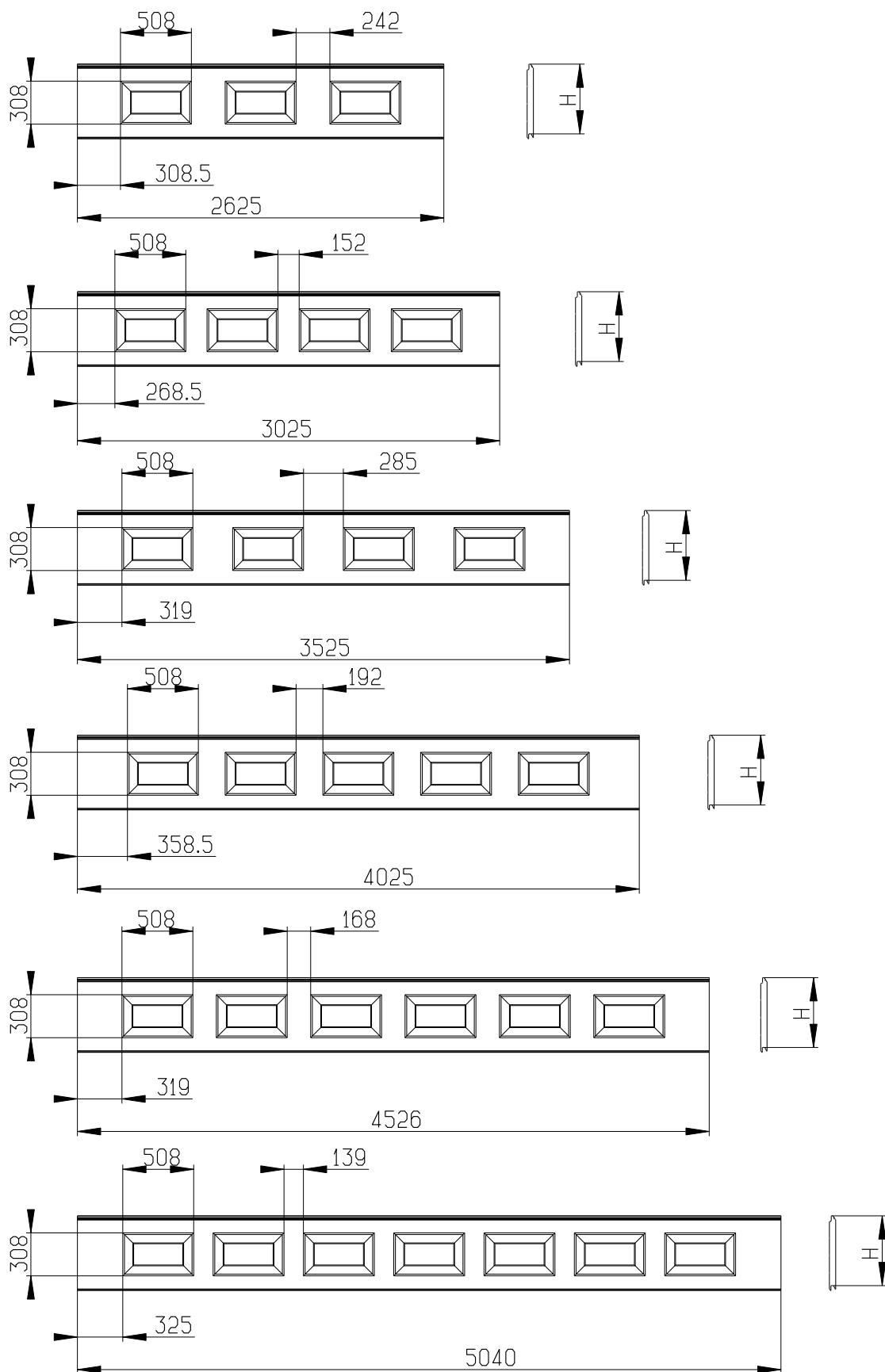


Dark Oak



Cherry

СХЕМАТИЧЕСКОЕ ИЗОБРАЖЕНИЕ СЭНДВИЧ-ПАНЕЛИ С РИСУНКОМ «ФИЛЕНКА»



СЭНДВИЧ-ПАНЕЛИ ДЛЯ ПОЛОТНА ВОРОТ

СЭНДВИЧ-ПАНЕЛИ С РИСУНКОМ «ФИЛЕНКА»
СТРУКТУРА ПОВЕРХНОСТИ WOODGRAIN

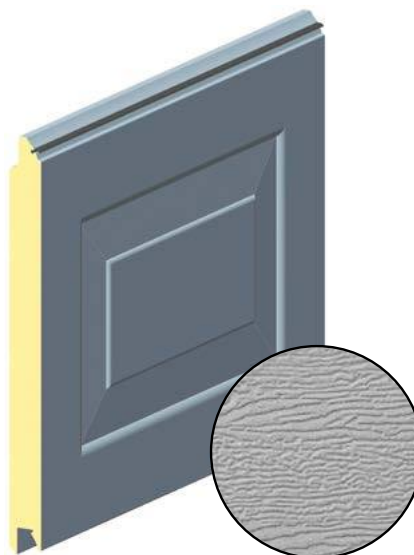
Панель воротная

Наружная сторона: структура поверхности woodgrain с рисунком «филенка».
Внутренняя сторона: структура поверхности woodgrain с горизонтальными полосами, цвет — бело-серый (близкий RAL9002).

Высота панели, мм425
Толщина панели, мм40
Вес, кг/м4,45
Единица измеренияМ

Арт.	Код	Цвет*	Длина, м	Норма поставки, м	Розничная цена, евро с НДС
СТ40.1.01-425-2625	401011412	RAL9016	2,625	57,75	38,00
СТ40.1.01-425-3025	401011512	RAL9016	3,025	66,55	38,00
СТ40.1.01-425-3525	401011612	RAL9016	3,525	77,55	38,00
СТ40.1.01-425-4025	401011112	RAL9016	4,025	88,55	38,00
СТ40.1.01-425-4526	401011212	RAL9016	4,526	99,55	38,00
СТ40.1.01-425-5040	401011312	RAL9016	5,040	110,88	38,00
СТ40.1.02-425-2625	401012717	RAL8014	2,625	57,75	38,00
СТ40.1.02-425-3025	401012817	RAL8014	3,025	66,55	38,00
СТ40.1.02-425-3525	401012917	RAL8014	3,525	77,55	38,00
СТ40.1.02-425-4025	401012417	RAL8014	4,025	88,55	38,00
СТ40.1.02-425-4526	401012517	RAL8014	4,526	99,55	38,00
СТ40.1.02-425-5040	401012617	RAL8014	5,040	110,88	38,00

* Указанные цвета имеют близкое соответствие шкале RAL.



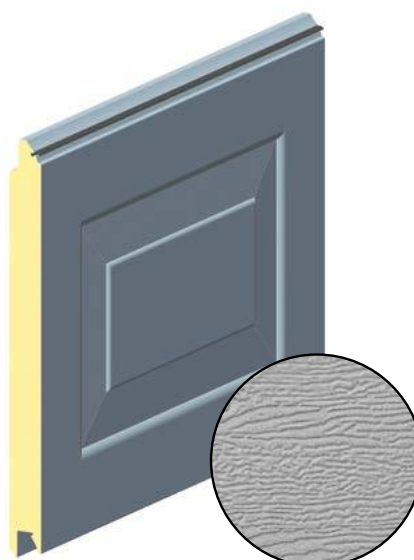
Панель воротная

Наружная сторона: структура поверхности woodgrain с рисунком «филенка».
Внутренняя сторона: структура поверхности woodgrain с горизонтальными полосами, цвет — бело-серый (близкий RAL9002).

Высота панели, мм450
Толщина панели, мм40
Вес, кг/м4,65
Единица измеренияМ

Арт.	Код	Цвет*	Длина, м	Норма поставки, м	Розничная цена, евро с НДС
СТ40.1.01-450-2625	401022712	RAL9016	2,625	57,75	40,00
СТ40.1.01-450-3025	401022812	RAL9016	3,025	66,55	40,00
СТ40.1.01-450-3525	401022912	RAL9016	3,525	77,55	40,00
СТ40.1.01-450-4025	401022412	RAL9016	4,025	88,55	40,00
СТ40.1.01-450-4526	401022512	RAL9016	4,526	99,55	40,00
СТ40.1.01-450-5040	401022612	RAL9016	5,040	110,88	40,00
СТ40.1.02-450-2625	401023417	RAL8014	2,625	57,75	40,00
СТ40.1.02-450-3025	401023517	RAL8014	3,025	66,55	40,00
СТ40.1.02-450-3525	401023617	RAL8014	3,525	77,55	40,00
СТ40.1.02-450-4025	401023117	RAL8014	4,025	88,55	40,00
СТ40.1.02-450-4526	401023217	RAL8014	4,526	99,55	40,00
СТ40.1.02-450-5040	401023317	RAL8014	5,040	110,88	40,00

* Указанные цвета имеют близкое соответствие шкале RAL.



СЭНДВИЧ-ПАНЕЛИ С РИСУНКОМ «ФИЛЕНКА»
 СТРУКТУРА ПОВЕРХНОСТИ WOODGRAIN

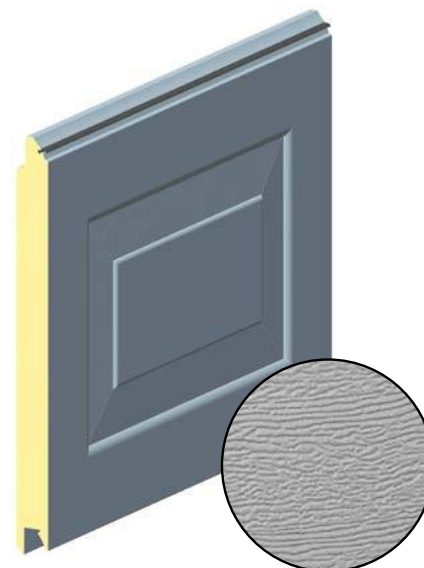
Панель воротная

Наружная сторона: структура поверхности woodgrain с рисунком «филенка».
 Внутренняя сторона: структура поверхности woodgrain
 с горизонтальными полосами, цвет — бело-серый (близкий RAL9002).

Высота панели, мм475
 Толщина панели, мм40
 Вес, кг/м4,85
 Единица измеренияМ

Арт.	Код	Цвет*	Длина, м	Норма поставки, м	Розничная цена, евро с НДС
СТ40.1.01-475-2625	401031212	RAL9016	2,625	57,75	42,00
СТ40.1.01-475-3025	401031312	RAL9016	3,025	66,55	42,00
СТ40.1.01-475-3525	401031412	RAL9016	3,525	77,55	42,00
СТ40.1.01-475-4025	401030912	RAL9016	4,025	88,55	42,00
СТ40.1.01-475-4526	401031012	RAL9016	4,526	99,55	42,00
СТ40.1.01-475-5040	401031112	RAL9016	5,040	110,88	42,00
СТ40.1.02-475-2625	401032417	RAL8014	2,625	57,75	42,00
СТ40.1.02-475-3025	401032517	RAL8014	3,025	66,55	42,00
СТ40.1.02-475-3525	401032617	RAL8014	3,525	77,55	42,00
СТ40.1.02-475-4025	401032117	RAL8014	4,025	88,55	42,00
СТ40.1.02-475-4526	401032217	RAL8014	4,526	99,55	42,00
СТ40.1.02-475-5040	401032317	RAL8014	5,040	110,88	42,00

* Указанные цвета имеют близкое соответствие шкале RAL.



1.1

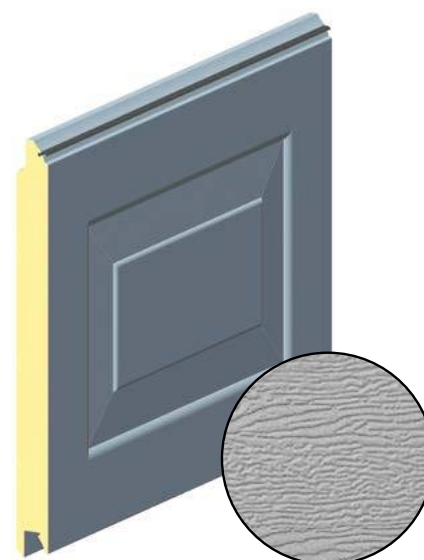
Панель воротная

Наружная сторона: структура поверхности woodgrain с рисунком «филенка».
 Внутренняя сторона: структура поверхности woodgrain
 с горизонтальными полосами, цвет — бело-серый (близкий RAL9002).

Высота панели, мм500
 Толщина панели, мм40
 Вес, кг/м5,05
 Единица измеренияМ

Арт.	Код	Цвет*	Длина, м	Норма поставки, м	Розничная цена, евро с НДС
СТ40.1.01-500-2625	401044212	RAL9016	2,625	57,75	46,50
СТ40.1.01-500-3025	401044312	RAL9016	3,025	66,55	46,50
СТ40.1.01-500-3525	401044412	RAL9016	3,525	77,55	46,50
СТ40.1.01-500-4025	401043912	RAL9016	4,025	88,55	46,50
СТ40.1.01-500-4526	401044012	RAL9016	4,526	99,55	46,50
СТ40.1.01-500-5040	401044112	RAL9016	5,040	110,88	46,50
СТ40.1.02-500-2625	401044117	RAL8014	2,625	57,75	46,50
СТ40.1.02-500-3025	401044217	RAL8014	3,025	66,55	46,50
СТ40.1.02-500-3525	401044317	RAL8014	3,525	77,55	46,50
СТ40.1.02-500-4025	401043817	RAL8014	4,025	88,55	46,50
СТ40.1.02-500-4526	401043917	RAL8014	4,526	99,55	46,50
СТ40.1.02-500-5040	401044017	RAL8014	5,040	110,88	46,50

* Указанные цвета имеют близкое соответствие шкале RAL.



СЭНДВИЧ-ПАНЕЛИ ДЛЯ ПОЛОТНА ВОРОТ

СЭНДВИЧ-ПАНЕЛИ С РИСУНКОМ «ФИЛЕНКА»
СТРУКТУРА ПОВЕРХНОСТИ WOODGRAIN

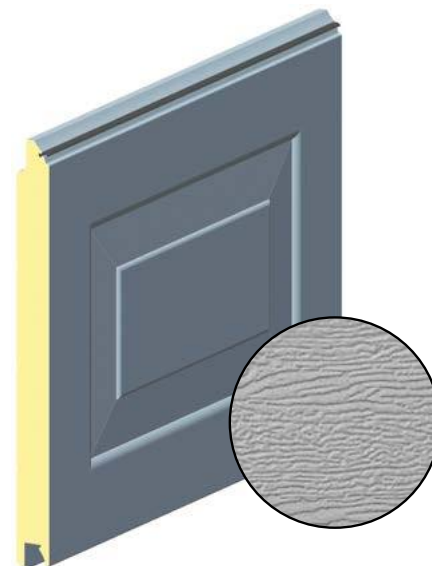
Панель воротная

Наружная сторона: структура поверхности woodgrain с рисунком «филенка».
Внутренняя сторона: структура поверхности woodgrain с горизонтальными полосами, цвет — бело-серый (близкий RAL9002).

Высота панели, мм 525
Толщина панели, мм 40
Вес, кг/м 5,25
Единица измерения м

Арт.	Код	Цвет*	Длина, м	Норма поставки, м	Розничная цена, евро с НДС
СТ40.1.01-525-2625	401051212	RAL9016	2,625	57,75	49,00
СТ40.1.01-525-3025	401051312	RAL9016	3,025	66,55	49,00
СТ40.1.01-525-3525	401051412	RAL9016	3,525	77,55	49,00
СТ40.1.01-525-4025	401050912	RAL9016	4,025	88,55	49,00
СТ40.1.01-525-4526	401051012	RAL9016	4,526	99,55	49,00
СТ40.1.01-525-5040	401051112	RAL9016	5,040	110,88	49,00
СТ40.1.02-525-2625	401052417	RAL8014	2,625	57,75	49,00
СТ40.1.02-525-3025	401052517	RAL8014	3,025	66,55	49,00
СТ40.1.02-525-3525	401052617	RAL8014	3,525	77,55	49,00
СТ40.1.02-525-4025	401052117	RAL8014	4,025	88,55	49,00
СТ40.1.02-525-4526	401052217	RAL8014	4,526	99,55	49,00
СТ40.1.02-525-5040	401052317	RAL8014	5,040	110,88	49,00

* Указанные цвета имеют близкое соответствие шкале RAL.



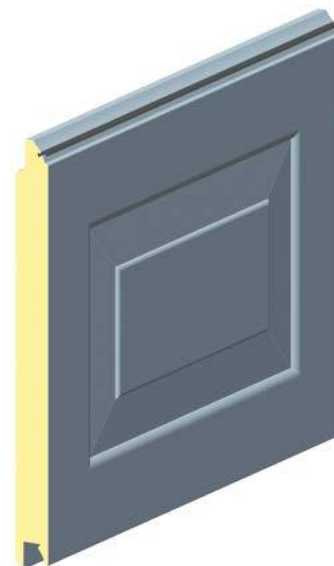
СЭНДВИЧ-ПАНЕЛИ С РИСУНКОМ «ФИЛЕНКА»
 СТРУКТУРА ПОВЕРХНОСТИ WOODGRAIN

Панель воротная

Наружная сторона: структура поверхности woodgrain с рисунком «филенка».
 Внутренняя сторона: структура поверхности woodgrain с горизонтальными полосами, цвет — бело-серый (близкий RAL9002).

Высота панели, мм 425
 Толщина панели, мм 40
 Вес, кг/м 4,55
 Единица измерения М

Арт.	Код	Цвет*	Длина, м	Норма поставки, м	Розничная цена, евро с НДС
СТ40.1.05-425-2625	401013105	Golden Oak	2,625	57,75	49,00
СТ40.1.05-425-3025	401013205	Golden Oak	3,025	66,55	49,00
СТ40.1.05-425-3525	401013305	Golden Oak	3,525	77,55	49,00
СТ40.1.05-425-4025	401012805	Golden Oak	4,025	88,55	49,00
СТ40.1.05-425-4526	401012905	Golden Oak	4,526	99,55	49,00
СТ40.1.05-425-5040	401013005	Golden Oak	5,040	110,88	49,00
СТ40.1.06-425-2625	401013606	Dark Oak	2,625	57,75	49,00
СТ40.1.06-425-3025	401013706	Dark Oak	3,025	66,55	49,00
СТ40.1.06-425-3525	401013806	Dark Oak	3,525	77,55	49,00
СТ40.1.06-425-4025	401013306	Dark Oak	4,025	88,55	49,00
СТ40.1.06-425-4526	401013406	Dark Oak	4,526	99,55	49,00
СТ40.1.06-425-5040	401013506	Dark Oak	5,040	110,88	49,00



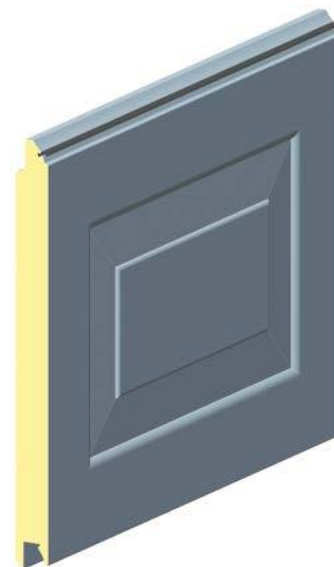
1.1

Панель воротная

Наружная сторона: структура поверхности woodgrain с рисунком «филенка».
 Внутренняя сторона: структура поверхности woodgrain с горизонтальными полосами, цвет — бело-серый (близкий RAL9002).

Высота панели, мм 450
 Толщина панели, мм 40
 Вес, кг/м 4,76
 Единица измерения М

Арт.	Код	Цвет*	Длина, м	Норма поставки, м	Розничная цена, евро с НДС
СТ40.1.05-450-2625	401023805	Golden Oak	2,625	57,75	48,00
СТ40.1.05-450-3025	401023905	Golden Oak	3,025	66,55	48,00
СТ40.1.05-450-3525	401024005	Golden Oak	3,525	77,55	48,00
СТ40.1.05-450-4025	401023505	Golden Oak	4,025	88,55	48,00
СТ40.1.05-450-4526	401023605	Golden Oak	4,526	99,55	48,00
СТ40.1.05-450-5040	401023705	Golden Oak	5,040	110,88	48,00
СТ40.1.06-450-2625	401024806	Dark Oak	2,625	57,75	48,00
СТ40.1.06-450-3025	401024906	Dark Oak	3,025	66,55	48,00
СТ40.1.06-450-3525	401025006	Dark Oak	3,525	77,55	48,00
СТ40.1.06-450-4025	401024506	Dark Oak	4,025	88,55	48,00
СТ40.1.06-450-4526	401024606	Dark Oak	4,526	99,55	48,00
СТ40.1.06-450-5040	401024706	Dark Oak	5,040	110,88	48,00



Golden Oak



Dark Oak

СЭНДВИЧ-ПАНЕЛИ ДЛЯ ПОЛОТНА ВОРОТ

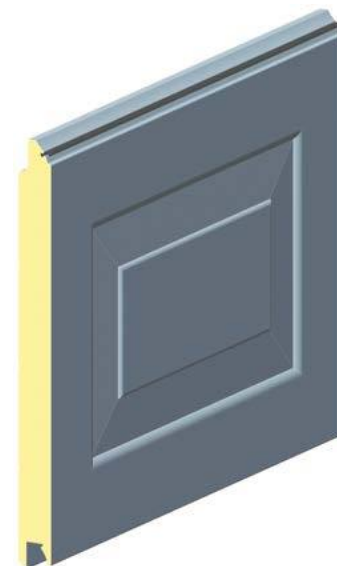
СЭНДВИЧ-ПАНЕЛИ С РИСУНКОМ «ФИЛЕНКА»
СТРУКТУРА ПОВЕРХНОСТИ WOODGRAIN

Панель воротная

Наружная сторона: структура поверхности woodgrain с рисунком «филенка».
Внутренняя сторона: структура поверхности woodgrain с горизонтальными полосами, цвет — бело-серый (близкий RAL9002).

Высота панели, мм 475
Толщина панели, мм 40
Вес, кг/м 4,96
Единица измерения М

Арт.	Код	Цвет*	Длина, м	Норма поставки, м	Розничная цена, евро с НДС
СТ40.1.05-475-2625	401032505	Golden Oak	2,625	57,75	50,00
СТ40.1.05-475-3025	401032605	Golden Oak	3,025	66,55	50,00
СТ40.1.05-475-3525	401032705	Golden Oak	3,525	77,55	50,00
СТ40.1.05-475-4025	401032205	Golden Oak	4,025	88,55	50,00
СТ40.1.05-475-4526	401032305	Golden Oak	4,526	99,55	50,00
СТ40.1.05-475-5040	401032405	Golden Oak	5,040	110,88	50,00
СТ40.1.06-475-2625	401033806	Dark Oak	2,625	57,75	50,00
СТ40.1.06-475-3025	401033906	Dark Oak	3,025	66,55	50,00
СТ40.1.06-475-3525	401034006	Dark Oak	3,525	77,55	50,00
СТ40.1.06-475-4025	401033506	Dark Oak	4,025	88,55	50,00
СТ40.1.06-475-4526	401033606	Dark Oak	4,526	99,55	50,00
СТ40.1.06-475-5040	401033706	Dark Oak	5,040	110,88	50,00

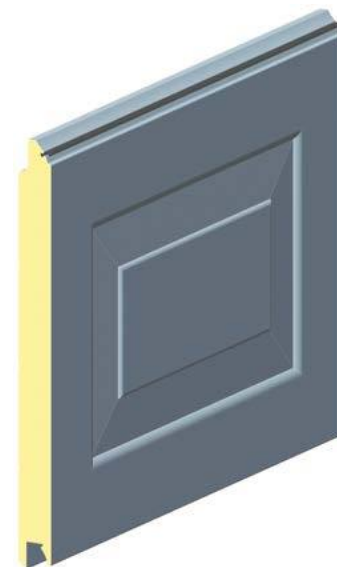


Панель воротная

Наружная сторона: структура поверхности woodgrain с рисунком «филенка».
Внутренняя сторона: структура поверхности woodgrain с горизонтальными полосами, цвет — бело-серый (близкий RAL9002).

Высота панели, мм 500
Толщина панели, мм 40
Вес, кг/м 5,16
Единица измерения М

Арт.	Код	Цвет*	Длина, м	Норма поставки, м	Розничная цена, евро с НДС
СТ40.1.05-500-2625	401044305	Golden Oak	2,625	57,75	53,00
СТ40.1.05-500-3025	401044405	Golden Oak	3,025	66,55	53,00
СТ40.1.05-500-3525	401044505	Golden Oak	3,525	77,55	53,00
СТ40.1.05-500-4025	401044005	Golden Oak	4,025	88,55	53,00
СТ40.1.05-500-4526	401044105	Golden Oak	4,526	99,55	53,00
СТ40.1.05-500-5040	401044205	Golden Oak	5,040	110,88	53,00
СТ40.1.06-500-2625	401045406	Dark Oak	2,625	57,75	53,00
СТ40.1.06-500-3025	401045506	Dark Oak	3,025	66,55	53,00
СТ40.1.06-500-3525	401045606	Dark Oak	3,525	77,55	53,00
СТ40.1.06-500-4025	401045106	Dark Oak	4,025	88,55	53,00
СТ40.1.06-500-4526	401045206	Dark Oak	4,526	99,55	53,00
СТ40.1.06-500-5040	401045306	Dark Oak	5,040	110,88	53,00



Golden Oak



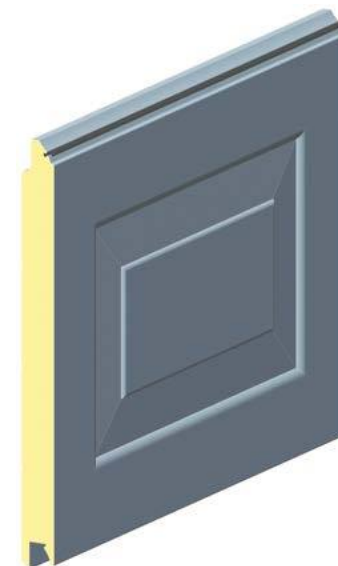
Dark Oak

СЭНДВИЧ-ПАНЕЛИ С РИСУНКОМ «ФИЛЕНКА»
 СТРУКТУРА ПОВЕРХНОСТИ WOODGRAIN

Панель воротная

Наружная сторона: структура поверхности woodgrain с рисунком «филенка».

Внутренняя сторона: структура поверхности woodgrain с горизонтальными полосами, цвет — бело-серый (близкий RAL9002).

 Высота панели, мм 525
 Толщина панели, мм 40
 Вес, кг/м 5,37
 Единица измерения М


Арт.	Код	Цвет*	Длина, м	Норма поставки, м	Розничная цена, евро с НДС
СТ40.1.05-525-2625	401052805	Golden Oak	2,625	57,75	56,00
СТ40.1.05-525-3025	401052905	Golden Oak	3,025	66,55	56,00
СТ40.1.05-525-3525	401053005	Golden Oak	3,525	77,55	56,00
СТ40.1.05-525-4025	401052505	Golden Oak	4,025	88,55	56,00
СТ40.1.05-525-4526	401052605	Golden Oak	4,526	99,55	56,00
СТ40.1.05-525-5040	401052705	Golden Oak	5,040	110,88	56,00
СТ40.1.06-525-2625	401053406	Dark Oak	2,625	57,75	56,00
СТ40.1.06-525-3025	401053506	Dark Oak	3,025	66,55	56,00
СТ40.1.06-525-3525	401053606	Dark Oak	3,525	77,55	56,00
СТ40.1.06-525-4025	401053106	Dark Oak	4,025	88,55	56,00
СТ40.1.06-525-4526	401053206	Dark Oak	4,526	99,55	56,00
СТ40.1.06-525-5040	401053306	Dark Oak	5,040	110,88	56,00



Golden Oak



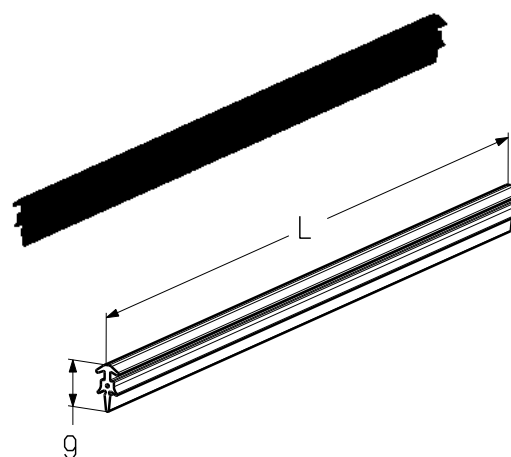
Dark Oak

Вставка уплотнительная

Предназначена для установки совместно с сэндвич-панелями всех типов.

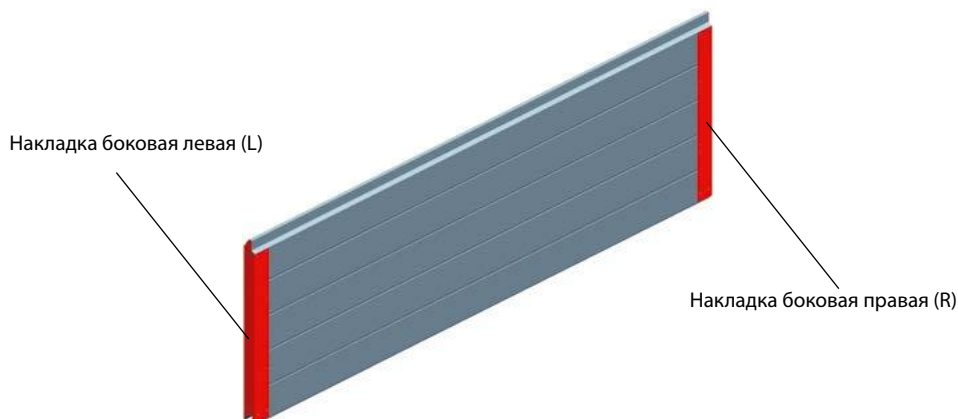
 Материал EPDM
 Вес, кг/м 0,13
 Единица измерения М
 Норма поставки, м 2000

Арт.	Код	Розничная цена, евро с НДС
RSP16	401530600	1,00



НАКЛАДКИ БОКОВЫЕ

УСТАНОВКА НАКЛАДОК БОКОВЫХ



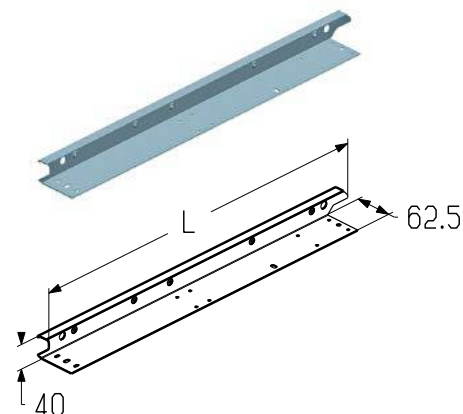
1.1

Накладка боковая

Предназначена для установки на торцы сэндвич-панели.
Используются в гаражных и промышленных воротах шириной до 5000 мм.

Материал.....оцинкованная сталь
Покрытие..... полимерное
Цвет..... бело-серый (близкий RAL9002)
Толщина, мм..... 1
Единица измеренияшт.

Арт.	Код	Длина (L), мм	Примечание	Вес, кг/шт.	Норма поставки, шт.	Розничная цена, евро с НДС
ЕС-40.425L	401310310	425	Левая	0,38	42	2,60
ЕС-40.425R	401310410	425	Правая	0,38	42	2,60
ЕС-40.450L	401320510	450	Левая	0,40	42	2,75
ЕС-40.450R	401320610	450	Правая	0,40	42	2,75
ЕС-40.475L	401330310	475	Левая	0,426	42	2,85
ЕС-40.475R	401330410	475	Правая	0,426	42	2,85
ЕС-40.500L	401340710	500	Левая	0,45	42	3,00
ЕС-40.500R	401340810	500	Правая	0,45	42	3,00
ЕС-40.525L	401350310	525	Левая	0,47	42	3,15
ЕС-40.525R	401350410	525	Правая	0,47	42	3,15
ЕС-40.625L	401390710	625	Левая	0,57	42	3,70
ЕС-40.625R	401390810	625	Правая	0,57	42	3,70

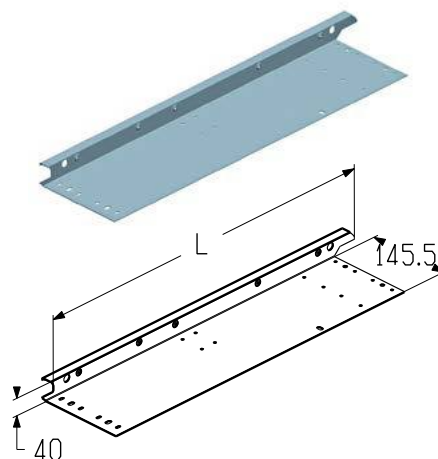


Накладка боковая

Предназначена для установки на торцы сэндвич-панели.
Используются в гаражных и промышленных воротах шириной свыше 5000 мм.

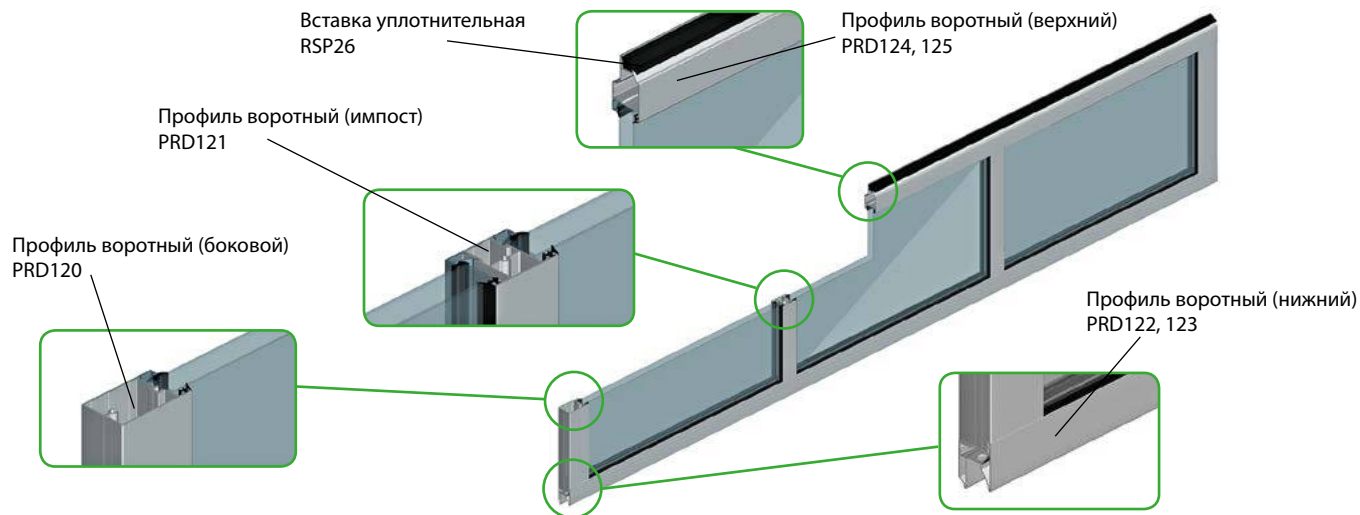
Материал.....оцинкованная сталь
Покрытие..... полимерное
Цвет..... бело-серый (близкий RAL9002)
Толщина, мм..... 1
Единица измеренияшт.

Арт.	Код	Длина (L), мм	Примечание	Вес, кг/шт.	Норма поставки, шт.	Розничная цена, евро с НДС
ЕС-40.450DL	401320710	450	Левая	0,67	36	4,30
ЕС-40.450DR	401320810	450	Правая	0,67	36	4,30
ЕС-40.500DL	401340910	500	Левая	0,75	36	4,90
ЕС-40.500DR	401341010	500	Правая	0,75	36	4,90
ЕС-40.625DL	401390910	625	Левая	0,95	33	6,00
ЕС-40.625DR	401391010	625	Правая	0,95	33	6,00



АЛЮМИНИЕВЫЕ ПРОФИЛИ ДЛЯ ПАНОРАМНЫХ ПАНЕЛЕЙ

ТИПОВАЯ КОНСТРУКЦИЯ ПАНОРАМНОЙ ПАНЕЛИ ALUTREND



1.1

ВАРИАНТЫ ЗАПОЛНЕНИЯ ПАНОРАМНОЙ ПАНЕЛИ



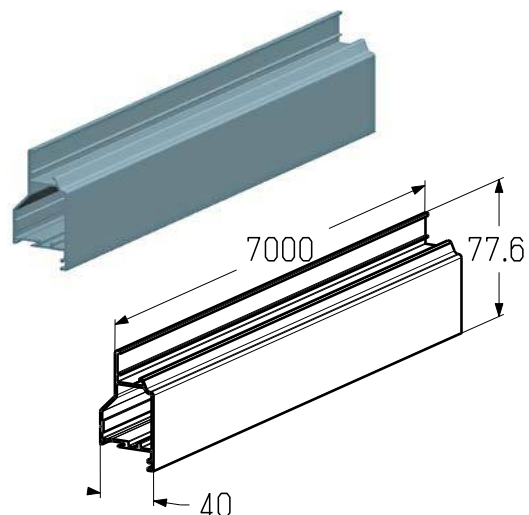
АЛЮМИНИЕВЫЕ ПРОФИЛИ ДЛЯ ПАНОРАМНЫХ ПАНЕЛЕЙ

Профиль воротный (верхний)

Используется для изготовления панорамных панелей AluTrend.
Применяется совместно с сэндвич-панелью с рисунком «Микроволна».

Материал.....алюминий
Длина, мм.....7000
Вес, кг/м.....0,93
Единица измерения.....м
Норма поставки, м.....28

Арт.	Код	Цвет*	Розничная цена, евро с НДС
PRD124	401110811	RAL9006	17,00
	401110712	RAL9016	17,00
	401110717	RAL8014	17,00
	401110714	RAL5010	17,00



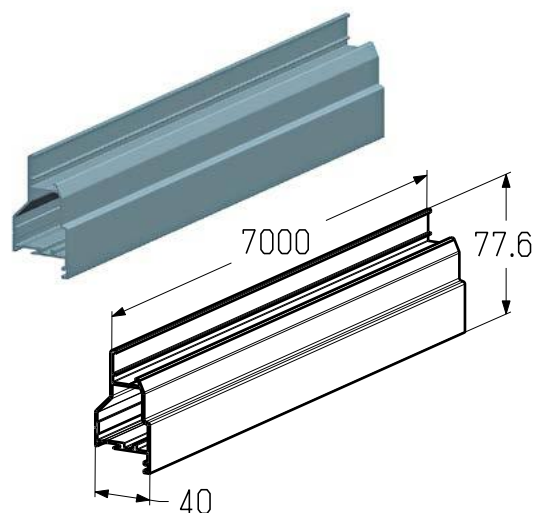
* Указанные цвета имеют близкое соответствие шкале RAL.

Профиль воротный (верхний)

Используется для изготовления панорамных панелей AluTrend.
Применяется совместно с сэндвич-панелью с рисунком «S-гофр».

Материал.....алюминий
Длина, мм.....7000
Вес, кг/м.....0,93
Единица измерения.....м
Норма поставки, м.....28

Арт.	Код	Цвет*	Розничная цена, евро с НДС
PRD125	401110911	RAL9006	17,00
	401110812	RAL9016	17,00
	401110817	RAL8014	17,00
	401110814	RAL5010	17,00



* Указанные цвета имеют близкое соответствие шкале RAL.

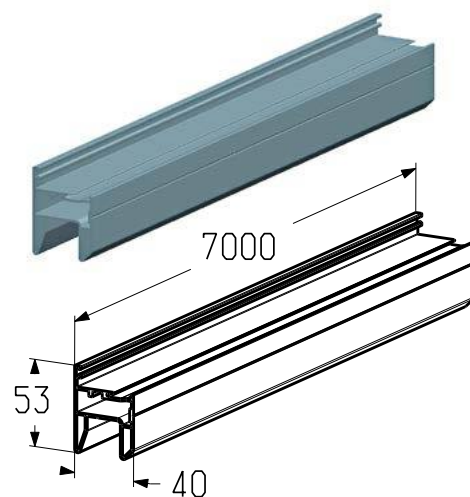
Профиль воротный (нижний)

Используется для изготовления панорамных панелей AluTrend.
Применяется в панорамных воротах:

- шириной до 4000 мм;
- шириной от 5005 мм с установкой профиля усиливающего (PRG20).

Материал.....алюминий
Длина, мм.....7000
Вес, кг/м.....0,98
Единица измерения.....м
Норма поставки, м.....28

Арт.	Код	Цвет*	Розничная цена, евро с НДС
PRD122	401131211	RAL9006	17,80
	401131012	RAL9016	17,80
	401131017	RAL8014	17,80
	401131014	RAL5010	17,80



* Указанные цвета имеют близкое соответствие шкале RAL.

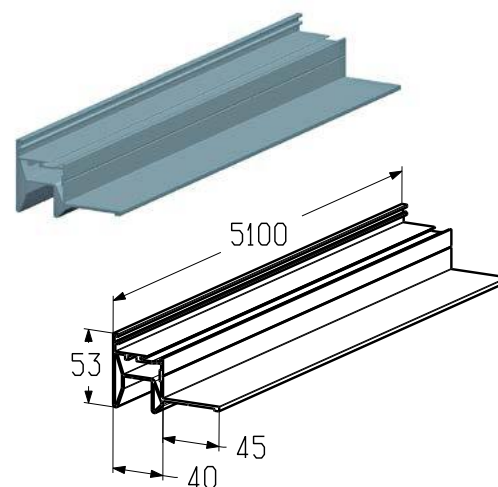
АЛЮМИНИЕВЫЕ ПРОФИЛИ ДЛЯ ПАНОРАМНЫХ ПАНЕЛЕЙ

Профиль воротный (нижний)

Используется для изготовления панорамных панелей AluTrend.
Применяется в панорамных воротах шириной от 4005 до 5000 мм.

Материал.....алюминий
Длина, мм.....5100
Вес, кг/м.....1,29
Единица измерения.....м
Норма поставки, м.....28

Арт.	Код	Цвет*	Розничная цена, евро с НДС
PRD123	401131111	RAL9006	22,99
	401131112	RAL9016	22,99
	401131117	RAL8014	22,99
	401131114	RAL5010	22,99



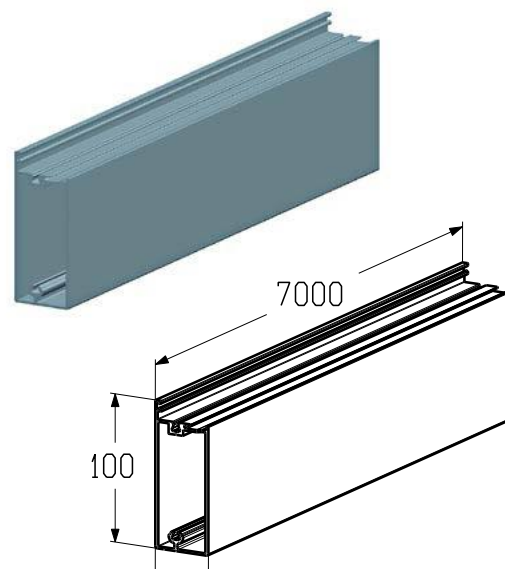
* Указанные цвета имеют близкое соответствие шкале RAL.

Профиль воротный (боковой)

Используется для изготовления панорамных панелей AluTrend.

Материал.....алюминий
Длина, мм.....7000
Вес, кг/м.....1,74
Единица измерения.....м
Норма поставки, м.....14

Арт.	Код	Цвет*	Розничная цена, евро с НДС
PRD120	401120511	RAL9006	28,47
	401120512	RAL9016	28,47
	401120517	RAL8014	28,47
	401120514	RAL5010	28,47



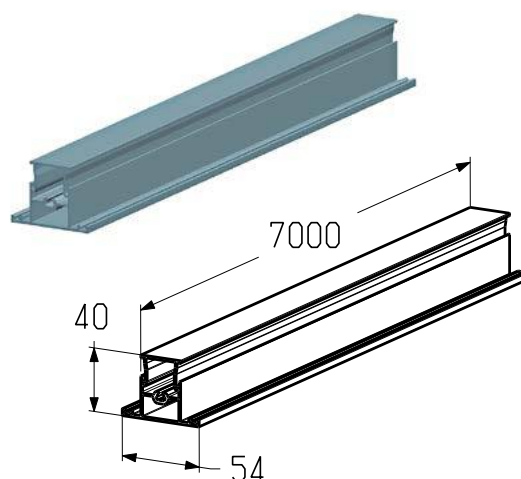
* Указанные цвета имеют близкое соответствие шкале RAL.

Профиль воротный (импост)

Используется для изготовления панорамных панелей AluTrend.

Материал.....алюминий
Длина, мм.....7000
Вес, кг/м.....0,87
Единица измерения.....м
Норма поставки, м.....42

Арт.	Код	Цвет*	Розничная цена, евро с НДС
PRD121	401140511	RAL9006	16,23
	401140512	RAL9016	16,23
	401140517	RAL8014	16,23
	401140514	RAL5010	16,23



* Указанные цвета имеют близкое соответствие шкале RAL.

АЛЮМИНИЕВЫЕ ПРОФИЛИ ДЛЯ ПАНОРАМНЫХ ПАНЕЛЕЙ

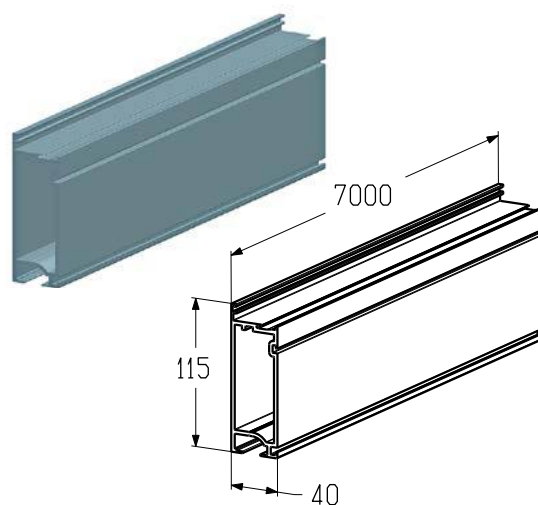
Профиль воротный (нижний концевой)

Используется для изготовления панорамных панелей AluTrend.

Материал.....алюминий
 Длина, мм.....7000
 Вес, кг/м.....2,53
 Единица измерения.....м
 Норма поставки, м.....14

Арт.	Код	Цвет*	Розничная цена, евро с НДС
PRD126	401111011	RAL9006	42,75
	401110912	RAL9016	42,75
	401110917	RAL8014	42,75
	401110914	RAL5010	42,75

* Указанные цвета имеют близкое соответствие шкале RAL.



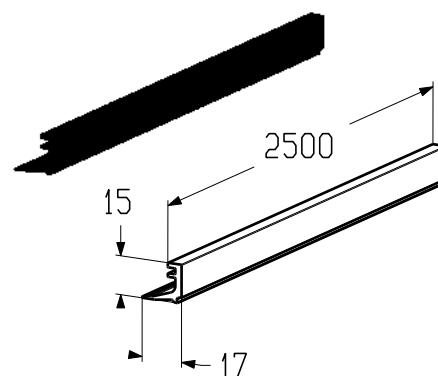
Профиль воротный (штапик)

Используется для изготовления панорамных панелей AluTrend совместно с акриловыми или композитными вставками толщиной 26 мм.

Материал.....RPVC
 Длина, мм.....2500
 Вес, кг/м.....0,01
 Единица измерения.....м
 Норма поставки, м.....125

Арт.	Код	Розничная цена, евро с НДС
PRP01	401150130	3,10

* Указанные цвета имеют близкое соответствие шкале RAL.



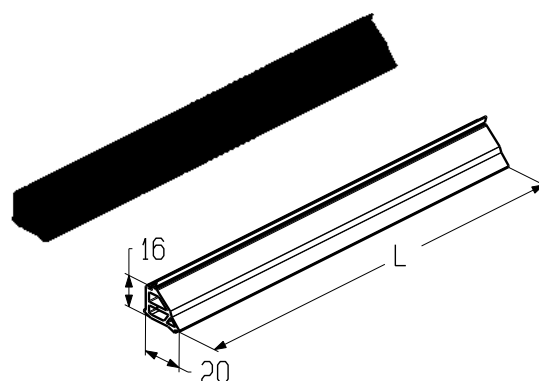
Вставка уплотнительная

Используется для изготовления панорамных панелей AluTrend. Предназначена для установки в профиль воротный верхний (PRD124, 125).

Материал.....EPDM
 Вес, кг/м.....0,163
 Единица измерения.....м
 Норма поставки, м.....100

Арт.	Код	Розничная цена, евро с НДС
RSP26	401530700	3,50

* Указанные цвета имеют близкое соответствие шкале RAL.



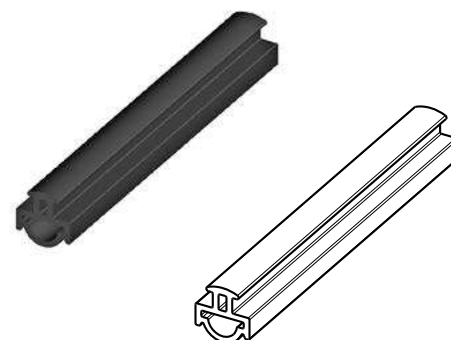
Уплотнитель резиновый

Используется для изготовления панорамных панелей AluTrend. Предназначен для установки с наружной стороны ворот совместно с акриловой вставкой толщиной 26 мм.

Материал.....EPDM
 Вес, кг/м.....0,05
 Единица измерения.....м
 Норма поставки, м.....500

Арт.	Код	Розничная цена, евро с НДС
FRK07	10210600	0,30

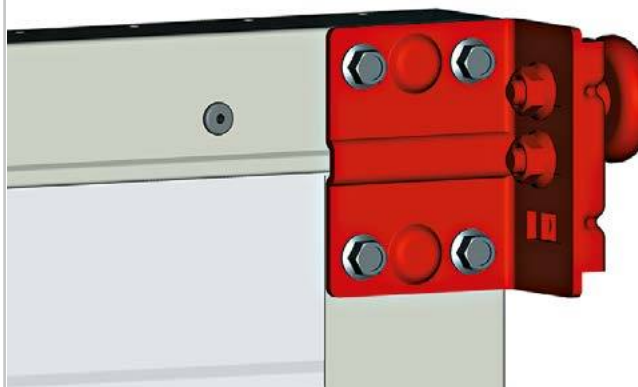
* Указанные цвета имеют близкое соответствие шкале RAL.



УСТАНОВКА КРОНШТЕЙНА РОЛИКОВОГО ВЕРХНЕГО

Кронштейн роликовый верхний для гаражных ворот с пружинами растяжения

Кронштейн верхний роликовый для гаражных ворот с торсионными пружинами

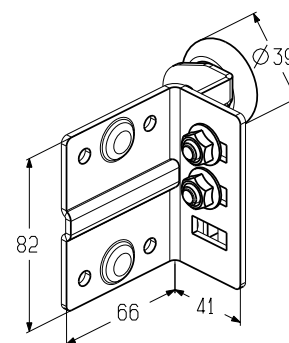


Кронштейн роликовый верхний

Предназначен для установки на верхнюю панель полотна ворот. Используется в гаражных воротах с пружинами растяжения.

Материал.....оцинкованная сталь
Вес, кг/шт.....0,41
Единица измеренияшт.
Норма поставки, шт.....40

Арт.	Код	Примечание	Розничная цена, евро с НДС
RBT-310L	401210600	Левый	4,60
RBT-310R	401210700	Правый	4,60

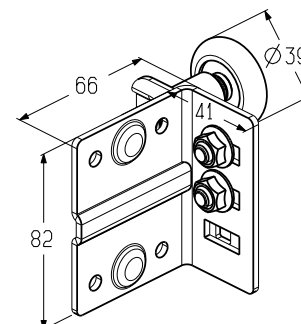


Кронштейн роликовый верхний

Предназначен для установки на верхнюю панель полотна ворот. Используется в гаражных воротах с торсионными пружинами.

Материал.....оцинкованная сталь
Вес, кг/шт.....0,40
Единица измеренияшт.
Норма поставки, шт.....40

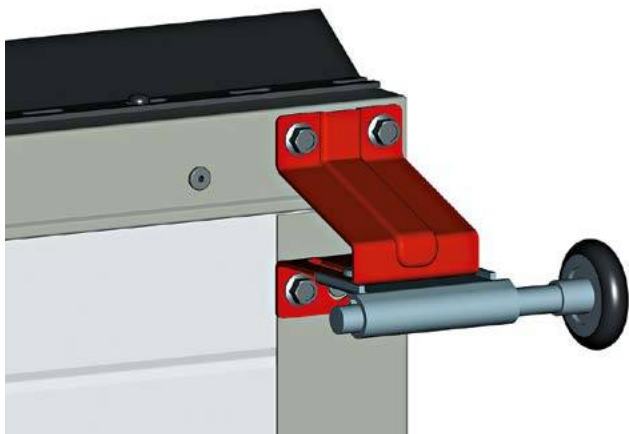
Арт.	Код	Примечание	Розничная цена, евро с НДС
RBT-320L	401210800	Левый	5,70
RBT-320R	401210900	Правый	5,70



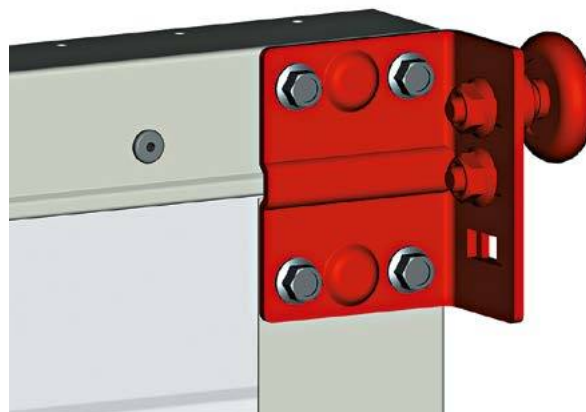
КРОНШТЕЙНЫ И ПЕТЛИ ДЛЯ СБОРКИ ПОЛОТНА ВОРОТ

УСТАНОВКА КРОНШТЕЙНА РОЛИКОВОГО ВЕРХНЕГО

Кронштейн роликковый верхний для промышленных ворот всех типов монтажа (кроме низких)



Кронштейн верхний роликковый для промышленных ворот низких типов монтажа

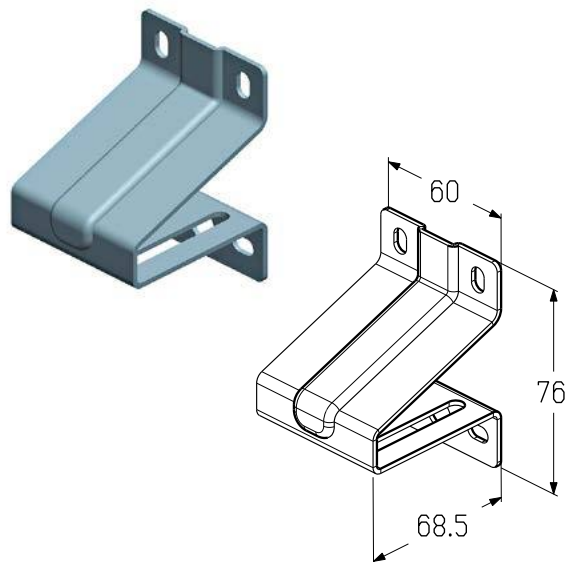


Кронштейн роликковый верхний

Предназначен для установки на верхнюю панель полотна ворот. Используется в промышленных воротах всех типов монтажа (кроме низких).

Материал.....оцинкованная сталь
Вес, кг/шт.....0,157
Единица измеренияшт.
Норма поставки, шт. 120

Арт.	Код	Розничная цена, евро с НДС
RBI-40.127	401211400	2,60

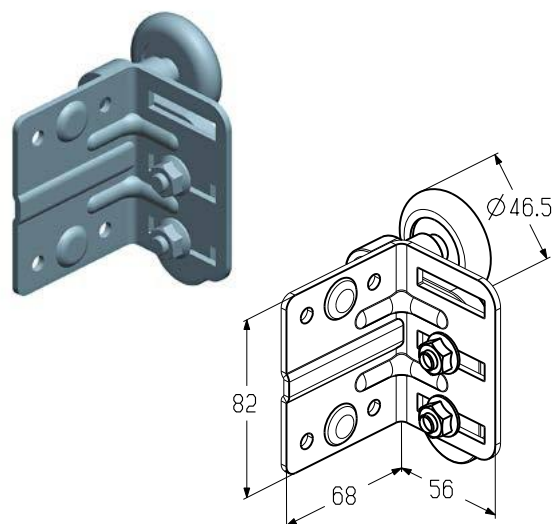


Кронштейн роликковый верхний

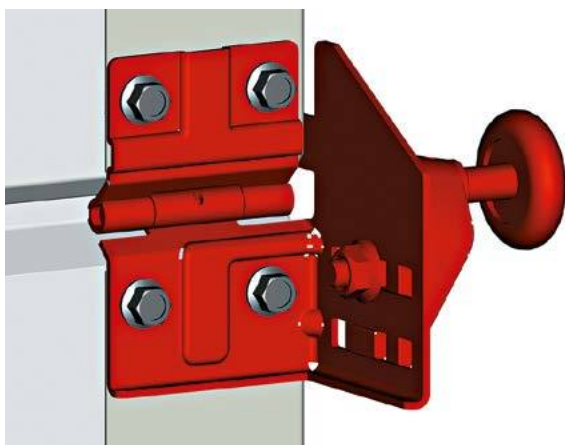
Предназначен для установки на верхнюю панель полотна ворот. Используется в промышленных воротах низких типов монтажа.

Материал.....оцинкованная сталь
Вес, кг/шт.....0,414
Единица измеренияшт.
Норма поставки, шт. 40

Арт.	Код	Примечание	Розничная цена, евро с НДС
RBI-40.126R	402601300	Левый	8,30
RBI-40.126L	402601400	Правый	8,30



УСТАНОВКА КРОНШТЕЙНА РОЛИКОВОГО БОКОВОГО ДЛЯ ГАРАЖНЫХ ВОРОТ



1.1

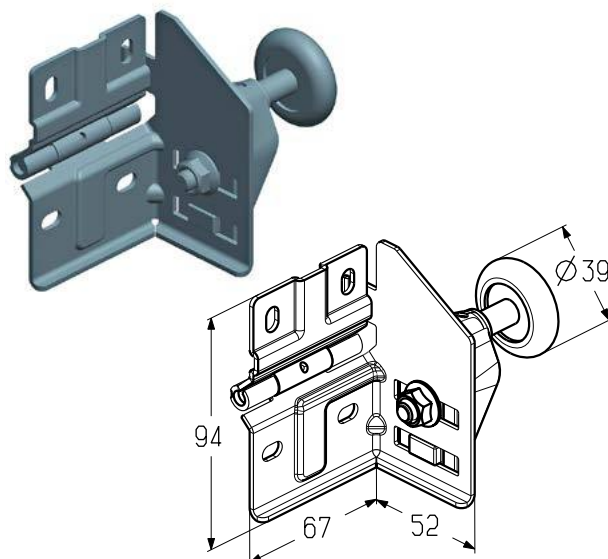
Кронштейн роликовый боковой

Предназначен для установки:

- на промежуточные панели гаражных ворот стандартного типа монтажа (торсионные пружины);
- на промежуточные панели гаражных ворот с пружинами растяжения и низкого типа монтажа (торсионные пружины) исключая вторую панель сверху, если верхняя панель меньше 300 мм.

Материалоцинкованная сталь/цинковый сплав
 Вес, кг/шт.....0,336
 Единица измеренияшт.
 Норма поставки, шт.40

Арт.	Код	Примечание	Розничная цена, евро с НДС
RBT-200L	401221000	Левый	7,70
RBT-200R	401221100	Правый	7,70

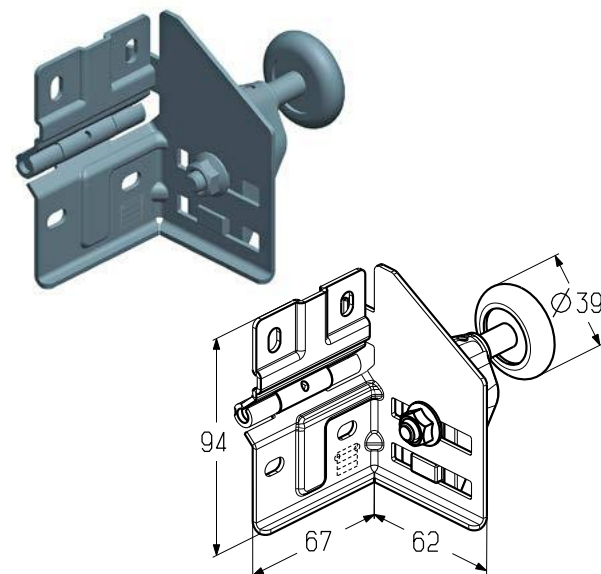


Кронштейн роликовый верхний

Предназначен для установки на вторую панель сверху гаражных ворот с пружинами растяжения и низкого монтажа (торсионные пружины), если верхняя панель меньше 300 мм.

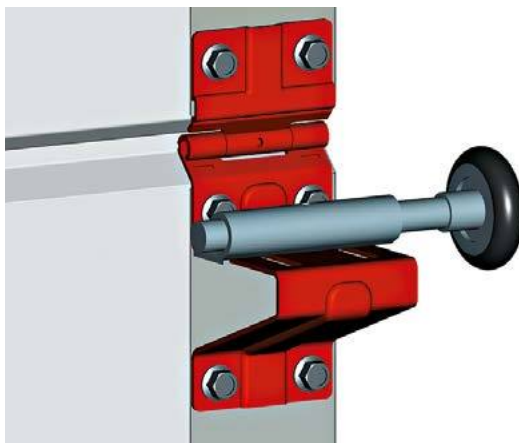
Материалоцинкованная сталь/цинковый сплав
 Вес, кг/шт.....0,414
 Единица измеренияшт.
 Норма поставки, шт.40

Арт.	Код	Примечание	Розничная цена, евро с НДС
RBT-210L	401221200	Левый	6,80
RBT-210R	401221300	Правый	6,80



КРОНШТЕЙНЫ И ПЕТЛИ ДЛЯ СБОРКИ ПОЛОТНА ВОРОТ

УСТАНОВКА КРОНШТЕЙНА РОЛИКОВОГО БОКОВОГО ДЛЯ ПРОМЫШЛЕННЫХ ВОРОТ

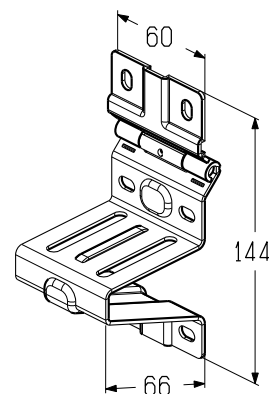


Кронштейн роликовый боковой

Предназначен для установки на промежуточные панели полотна ворот.
Используется в промышленных воротах всех типов монтажа.

Материал оцинкованная сталь
Вес, кг/шт 0,253
Единица измерения шт.
Норма поставки, шт 60

Арт.	Код	Розничная цена, евро с НДС
RBI-40.123	402601100	3,10

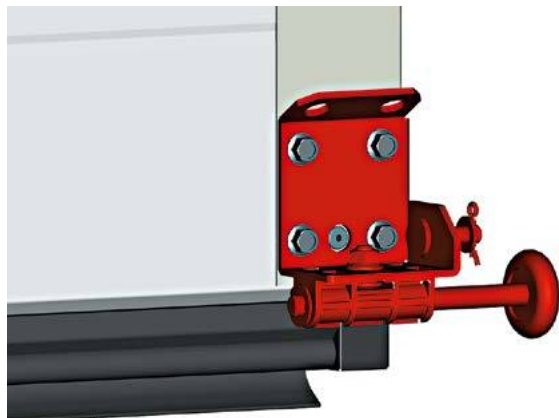


1.1

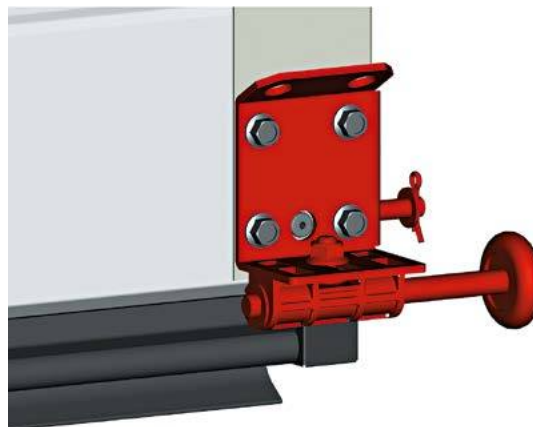
КРОНШТЕЙНЫ И ПЕТЛИ ДЛЯ СБОРКИ ПОЛОТНА ВОРОТ

УСТАНОВКА КРОНШТЕЙНА РОЛИКОВОГО НИЖНЕГО

Кронштейн роликовый нижний для гаражных ворот с пружинами растяжения



Кронштейн роликовый нижний для гаражных ворот с торсионными пружинами



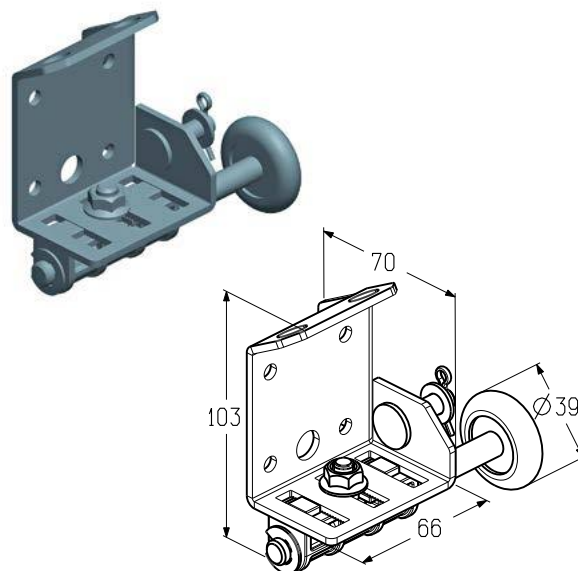
1.1

Кронштейн роликовый нижний

Предназначен для установки на нижнюю панель полотна ворот. Используется в гаражных воротах с пружинами растяжения.

Материал.....оцинкованная сталь/цинковый сплав
Вес, кг/шт.....0,448
Единица измеренияшт.
Норма поставки, шт.....40

Арт.	Код	Примечание	Розничная цена, евро с НДС
RBT-100L	401232200	Левый	8,90
RBT-100R	401232300	Правый	8,90

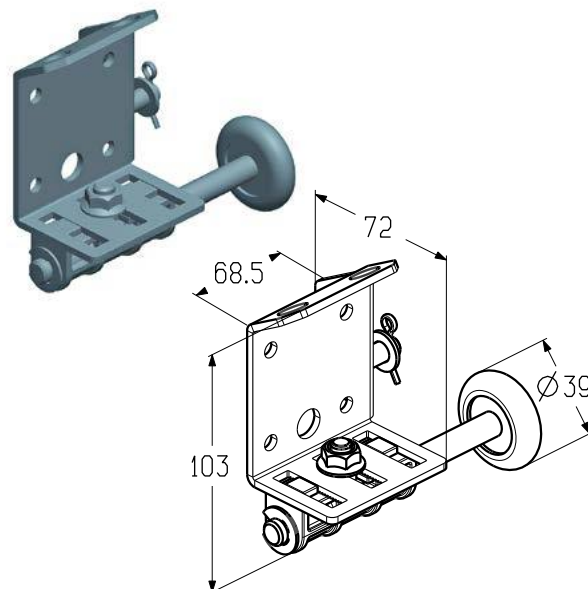


Кронштейн роликовый нижний

Предназначен для установки на нижнюю панель полотна ворот. Используется в гаражных воротах с торсионными пружинами.

Материал.....оцинкованная сталь/цинковый сплав
Вес, кг/шт.....0,40
Единица измеренияшт.
Норма поставки, шт.....40

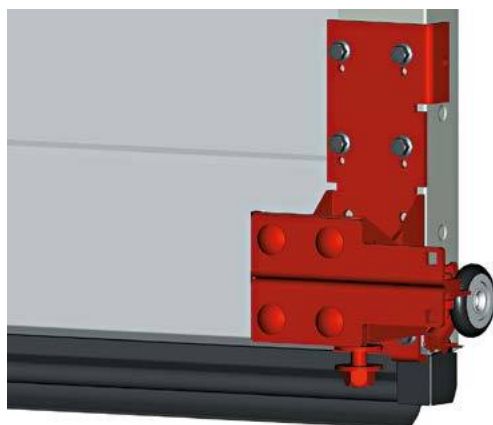
Арт.	Код	Примечание	Розничная цена, евро с НДС
RBT-110L	401232400	Левый	8,90
RBT-110R	401232500	Правый	8,90



КРОНШТЕЙНЫ И ПЕТЛИ ДЛЯ СБОРКИ ПОЛОТНА ВОРОТ

УСТАНОВКА КРОНШТЕЙНА РОЛИКОВОГО НИЖНЕГО ДЛЯ ПРОМЫШЛЕННЫХ ВОРОТ

Кронштейн роликовый нижний (RBI-40.110L/R)

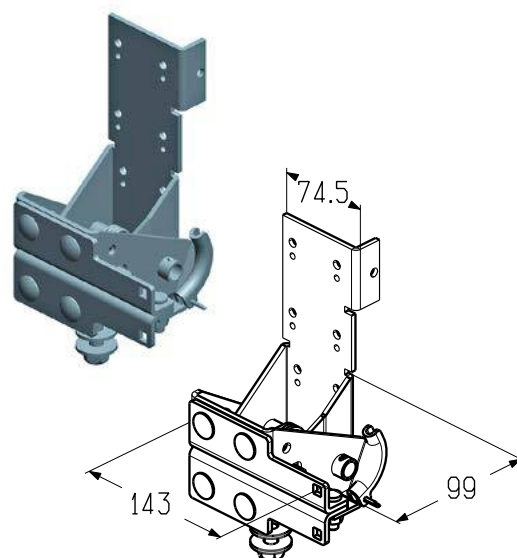


Кронштейн роликовый нижний

Предназначен для защиты от падения полотна промышленных ворот при обрыве троса. Устанавливается на нижнюю панель полотна ворот. Используется в промышленных воротах всех типов монтажа шириной до 5000 мм.

Материал оцинкованная сталь
 Вес, кг/шт. 2,26
 Единица измерения шт.
 Норма поставки, шт. 6

Арт.	Код	Примечание	Розничная цена, евро с НДС
RBI-40.110L	401232600	Левый	32,10
RBI-40.110R	401232700	Правый	32,10

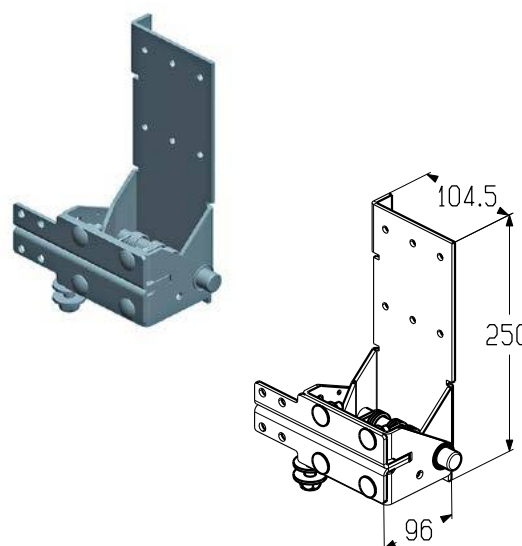


Кронштейн роликовый нижний

Предназначен для защиты от падения полотна промышленных ворот при обрыве троса. Устанавливается на нижнюю панель полотна ворот. Используется в промышленных воротах всех типов монтажа шириной свыше 5000 мм.

Материал оцинкованная сталь
 Вес, кг/шт. 2,57
 Единица измерения шт.
 Норма поставки, шт. 2

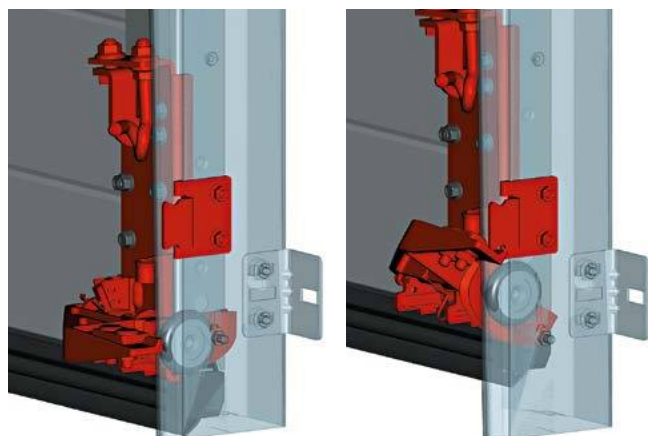
Арт.	Код	Примечание	Розничная цена, евро с НДС
RBI-40.110DL	401232800	Левый	46,00
RBI-40.110DR	401232900	Правый	46,00



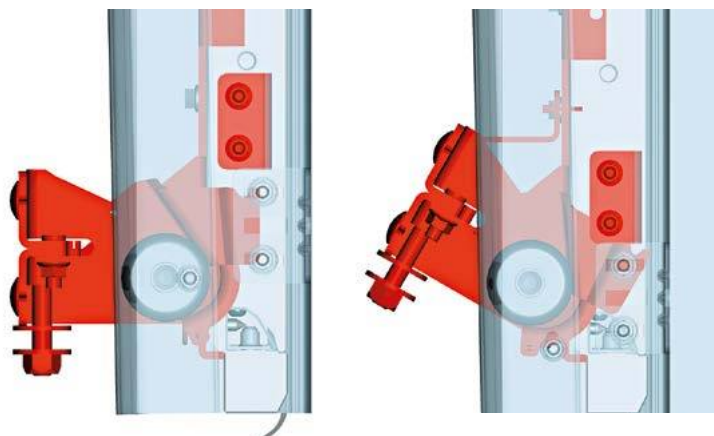
1.1

УСТАНОВКА КРОНШТЕЙНА РОЛИКОВОГО НИЖНЕГО ДЛЯ ПРОМЫШЛЕННЫХ ВОРОТ

Кронштейн роликовый нижний
(RBI-40.100L/R)



Кронштейн роликовый нижний
(RBI-40.120L/R)



1.1

Кронштейн роликовый нижний

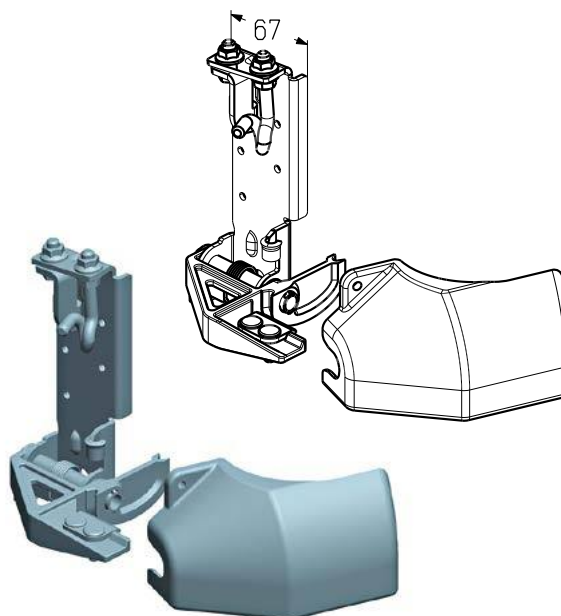
Предназначен:

- для защиты от падения полотна промышленных ворот при обрыве троса;
- для защиты промышленных ворот с навальным электроприводом от поддомкрачивания;
- обеспечивает возможность натяжения троса.

Устанавливается на нижнюю панель полотна ворот. Используется в промышленных воротах всех типов монтажа шириной до 5000 мм и площадью до 25 м².

Материал.....оцинкованная сталь
Вес, кг/шт..... 1,64
Единица измеренияшт.
Норма поставки, шт..... 4

Арт.	Код	Примечание	Розничная цена, евро с НДС
RBI-40.100L	402601500	Левый	26,00
RBI-40.100R	402601600	Правый	26,00



Кронштейн роликовый нижний

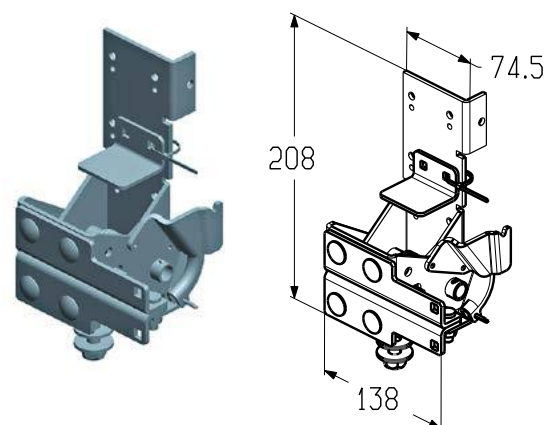
Предназначен:

- для защиты от падения полотна промышленных ворот при обрыве троса;
- для защиты промышленных ворот с навальным электроприводом от поддомкрачивания;

Устанавливается на нижнюю панель полотна ворот. Используется в промышленных воротах всех типов монтажа шириной до 5000 мм.

Материал.....оцинкованная сталь
Вес, кг/шт..... 2,27
Единица измеренияшт.
Норма поставки, шт..... 5

Арт.	Код	Примечание	Розничная цена, евро с НДС
RBI-40.120L	401234200	Левый	52,00
RBI-40.120R	401234300	Правый	52,00



КРОНШТЕЙНЫ И ПЕТЛИ ДЛЯ СБОРКИ ПОЛОТНА ВОРОТ

Кронштейн роликовый нижний

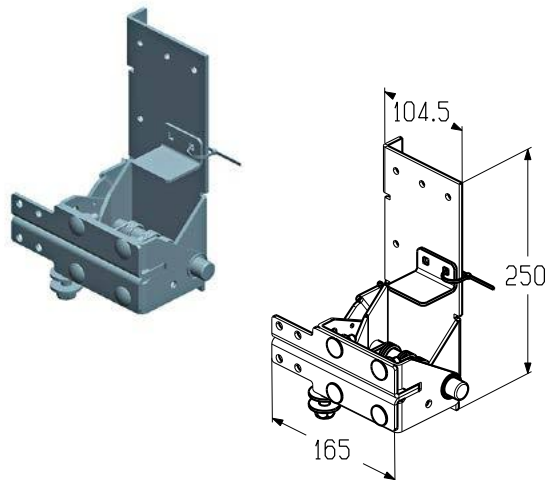
Предназначен:

- для защиты от падения полотна промышленных ворот при обрыве троса;
- для защиты промышленных ворот с навальным электроприводом от поддомкрачивания;

Устанавливается на нижнюю панель полотна ворот. Используется в промышленных воротах всех типов монтажа шириной свыше 5000 мм.

Материал оцинкованная сталь
 Вес, кг/шт. 2,67
 Единица измерения шт.
 Норма поставки, шт. 2

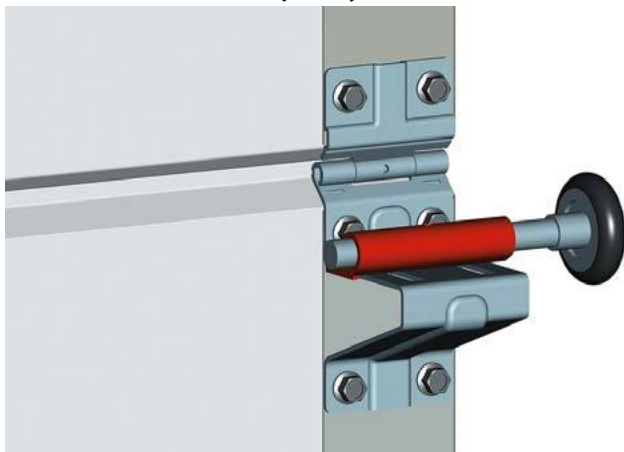
Арт.	Код	Примечание	Розничная цена, евро с НДС
RBI-40.120DL	401234400	Левый	31,00
RBI-40.120DR	401234500	Правый	31,00



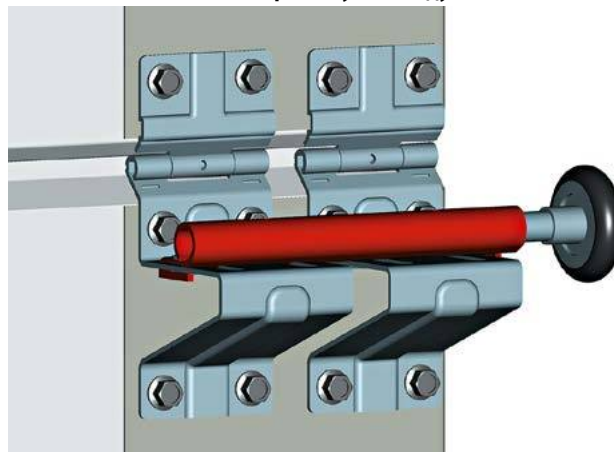
1.1

УСТАНОВКА НАКЛАДКИ РОЛИКОВОЙ

Накладка роликовая промежуточная



Накладка роликовая промежуточная дуплексная

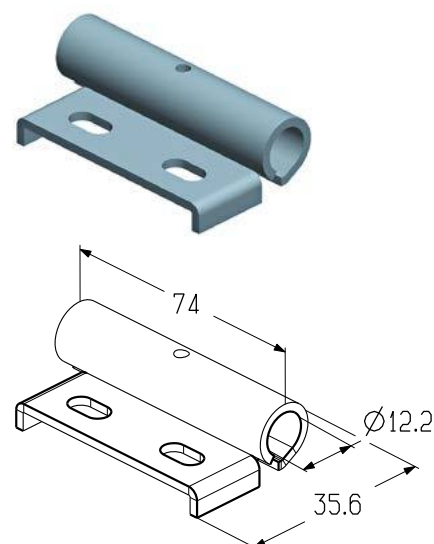


Накладка роликовая промежуточная

Предназначена для установки ролика ходового (R-130-12-G) на кронштейн роликовый боковой (RBI-40.123) на промежуточные панели полотна ворот. Используется в промышленных воротах всех типов монтажа.

Материал.....оцинкованная сталь
Вес, кг/шт.0,106
Единица измеренияшт.
Норма поставки, шт. 200

Арт.	Код	Розничная цена, евро с НДС
RP-40.123	401240500	0,90

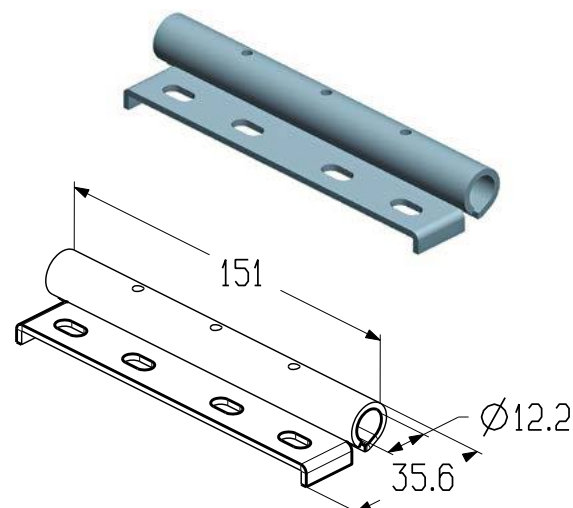


Накладка роликовая промежуточная дуплексная

Предназначена для установки ролика ходового (R-205-12-G) на двойной кронштейн боковой (RBI-40.123) на промежуточные панели полотна ворот. Используется в промышленных воротах всех типов монтажа шириной свыше 5 м.

Материал.....оцинкованная сталь
Вес, кг/шт.0,11
Единица измеренияшт.
Норма поставки, шт. 100

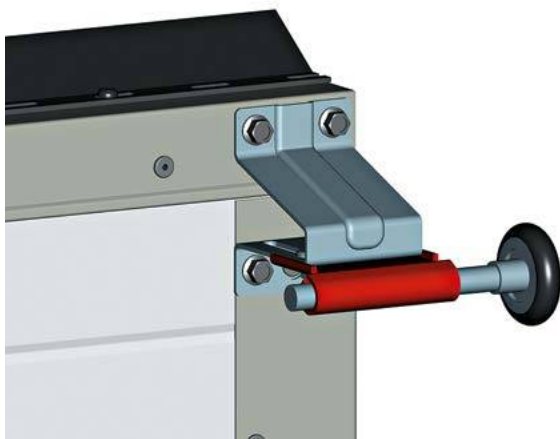
Арт.	Код	Розничная цена, евро с НДС
RP-40.123D	401240800	1,50



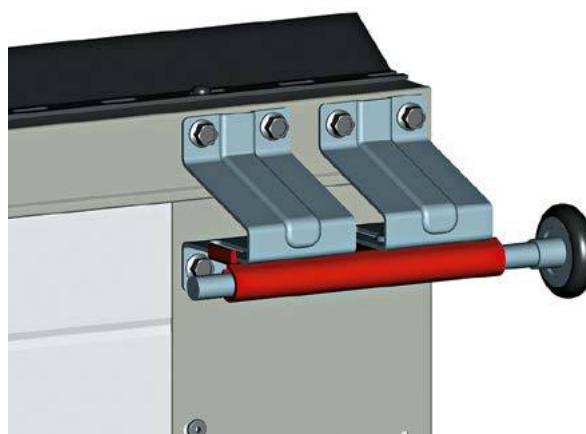
КРОНШТЕЙНЫ И ПЕТЛИ ДЛЯ СБОРКИ ПОЛОТНА ВОРОТ

УСТАНОВКА НАКЛАДКИ РОЛИКОВОЙ

Накладка роликовая верхняя



Накладка роликовая верхняя дуплексная



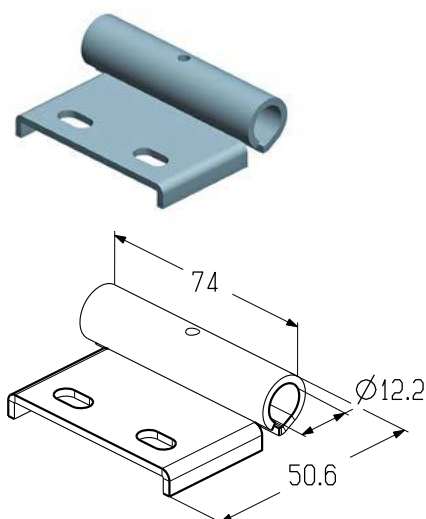
1.1

Накладка роликовая промежуточная

Предназначена для установки ролика ходового (R-130-12-G) на кронштейн роликовый верхний (RBI-40.127) на верхнюю панель полотна ворот.
Используется в промышленных воротах всех типов монтажа (кроме низких).

Материал.....оцинкованная сталь
Вес, кг/шт.0,07
Единица измеренияшт.
Норма поставки, шт.150

Арт.	Код	Розничная цена, евро с НДС
RP-40.125	401240600	1,00

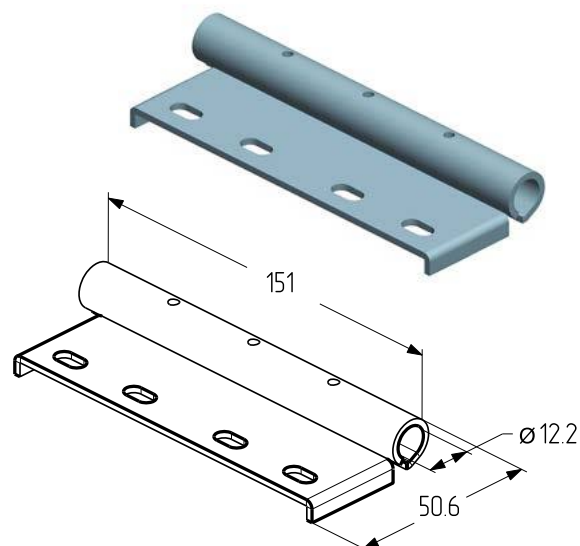


Накладка роликовая промежуточная дуплексная

Предназначена для установки ролика ходового (R-205-12-G G) на двойной кронштейн роликовый верхний (RBI-40.127) на верхнюю панель полотна ворот.
Используется в промышленных воротах всех типов монтажа шириной свыше 5 м (кроме низких).

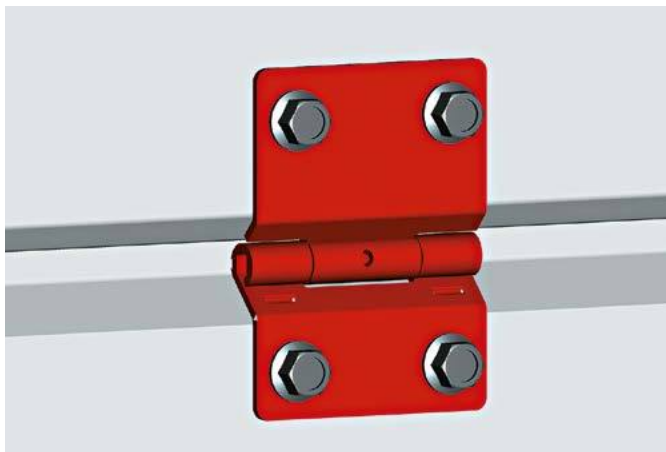
Материал.....оцинкованная сталь
Вес, кг/шт.0,22
Единица измеренияшт.
Норма поставки, шт.80

Арт.	Код	Розничная цена, евро с НДС
RP-40.125D	401240700	2,20

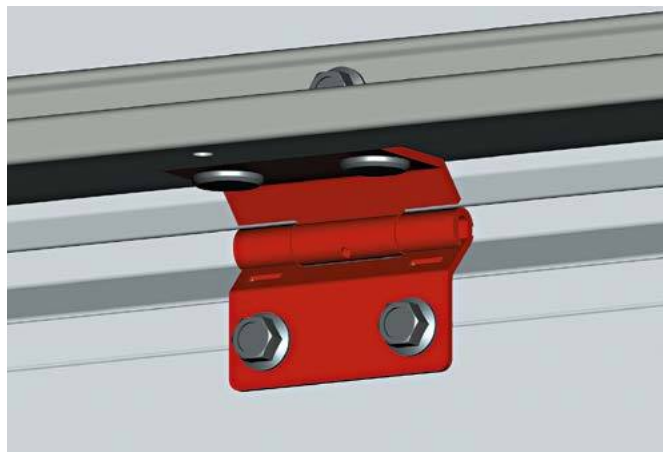


УСТАНОВКА ПЕТЛИ ПРОМЕЖУТОЧНОЙ

Петля промежуточная (IH-201)



Петля промежуточная (IH-200)



1.1

Петля промежуточная

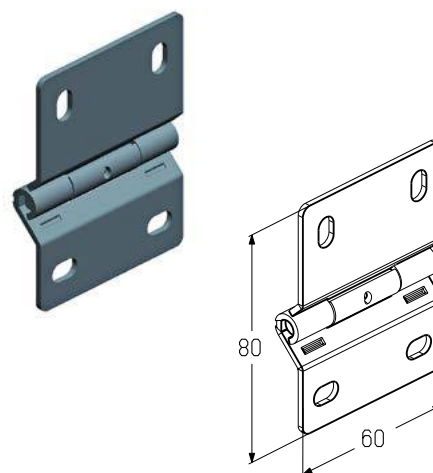
Предназначена для соединения сэндвич-панелей полотна ворот.

Используется:

- в гаражных воротах с пружинами растяжения и торсионными пружинами без усиливающего профиля (PRG-19);
- в промышленных воротах всех типов монтажа без усиливающего профиля (PRG-19).

Материал оцинкованная сталь
 Вес, кг/шт. 0,1
 Единица измерения шт.
 Норма поставки, шт. 300

Арт.	Код	Розничная цена, евро с НДС
IH-201	401910500	1,25



Петля промежуточная

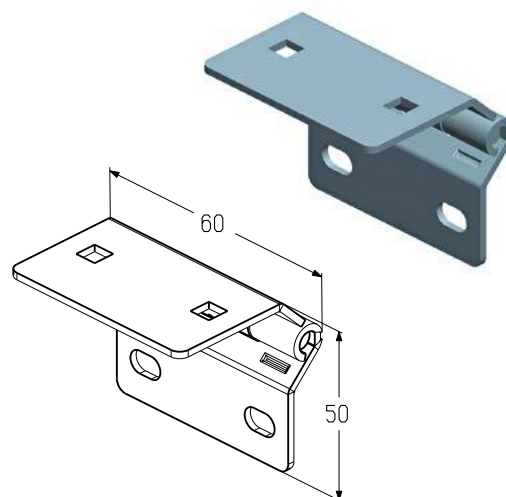
Предназначена для соединения сэндвич-панелей полотна ворот.

Используется:

- в гаражных воротах с пружинами растяжения и торсионными пружинами с профилем усиливающим (PRG-19, PRG-20);
- в промышленных воротах всех типов монтажа с профилем усиливающим (PRG-19, PRG-20).

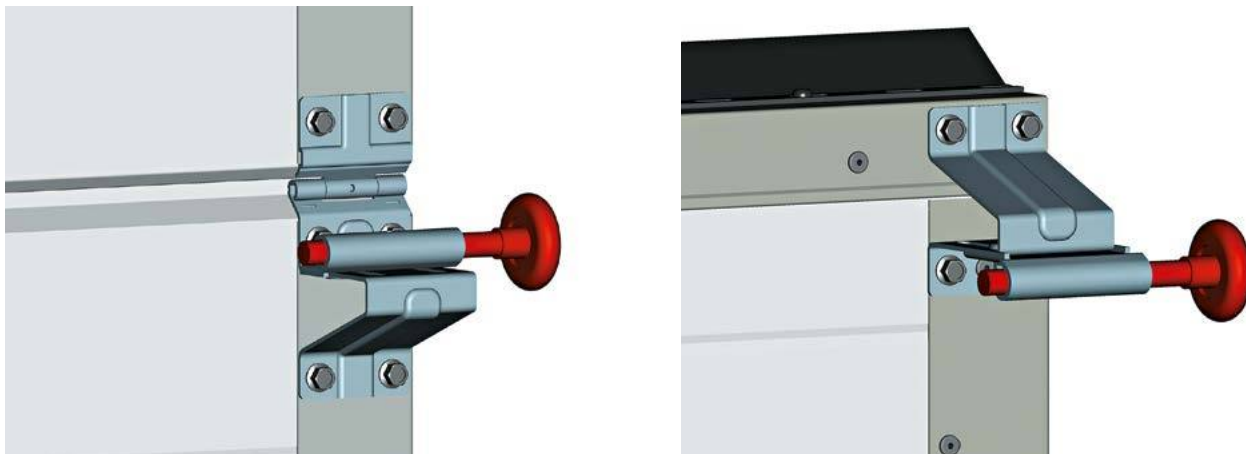
Материал оцинкованная сталь
 Вес, кг/шт. 0,105
 Единица измерения шт.
 Норма поставки, шт. 200

Арт.	Код	Розничная цена, евро с НДС
IH-200	401910400	1,20



КРОНШТЕЙНЫ И ПЕТЛИ ДЛЯ СБОРКИ ПОЛОТНА ВОРОТ

УСТАНОВКА РОЛИКА ХОДОВОГО

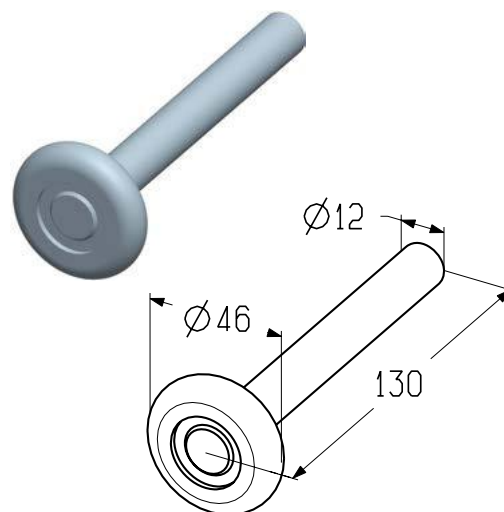


Ролик ходовой

Предназначен для установки в накладку роликую верхнюю (RP-40.125) на кронштейн роликый верхний (RBI-40.127).
Используется в промышленных воротах всех типов монтажа (кроме низких).
Предназначен для установки в накладку роликую промежуточную (RP-40.123) на кронштейн роликый боковой (RBI-40.123).
Используется в промышленных воротах всех типов монтажа шириной до 5000 мм.
Предназначен для установки в кронштейн роликый нижний (RBI-40.110L/R, RBI-40.100L/R).
Используется в промышленных воротах всех типов монтажа.

Диаметр оси, мм.....12
Вес, кг/шт.....0,156
Длина ролика, мм.....130
Единица измеренияшт.
Норма поставки, шт.100

Арт.	Код	Розничная цена, евро с НДС
R-130-12-G	401920200	2,50

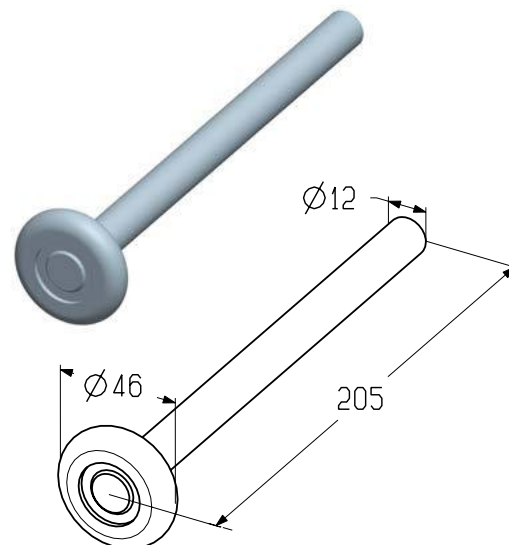


Ролик ходовой

Предназначен для установки в накладку роликую промежуточную дуплексную (RP-40.123D) на двойной кронштейн роликый боковой (RBI-40.123).
Предназначен для установки в накладку роликую верхнюю дуплексную (RP-40.125D) на двойной кронштейн роликый верхний (RBI-40.127).
Используется в промышленных воротах всех типов монтажа шириной более 5000 мм.

Диаметр оси, мм.....12
Вес, кг/шт.....0,224
Длина ролика, мм.....205
Единица измеренияшт.
Норма поставки, шт.100

Арт.	Код	Розничная цена, евро с НДС
R-205-12-G	401920400	3,00

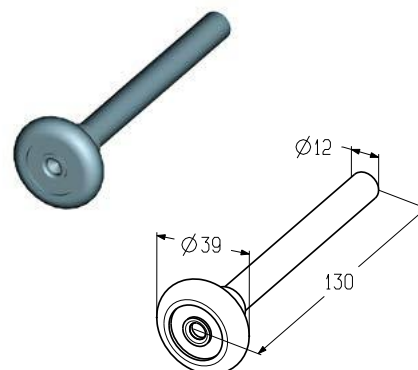


КРОНШТЕЙНЫ И ПЕТЛИ ДЛЯ СБОРКИ ПОЛОТНА ВОРОТ
Ролик ходовой

Предназначен для установки в накладку роликую промежуточную (RP-40.123) на кронштейн роликый боковой (RBI-40.123).
Используется в гаражных воротах с торсионными пружинами шириной до 5000 мм.

Диаметр оси, мм 12
 Вес, кг/шт. 0,15
 Длина ролика, мм 130
 Единица измерения шт.
 Норма поставки, шт. 150

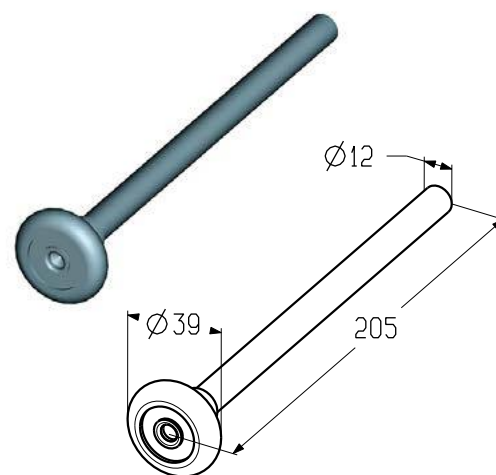
Арт.	Код	Розничная цена, евро с НДС
RT-130-12-G	401922000	2,20


Ролик ходовой

Предназначен для установки в накладку роликую промежуточную дуплексную (RP-40.123D) на двойной кронштейн роликый боковой (RBI-40.123).
Используется в гаражных воротах с торсионными пружинами шириной свыше 5000 мм.

Диаметр оси, мм 12
 Вес, кг/шт. 0,22
 Длина ролика, мм 205
 Единица измерения шт.
 Норма поставки, шт. 100

Арт.	Код	Розничная цена, евро с НДС
RT-205-12-G	401922100	2,70

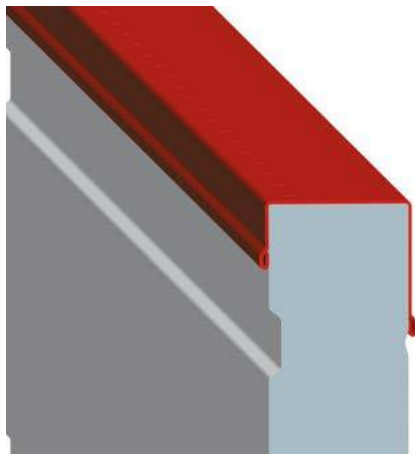


1.1

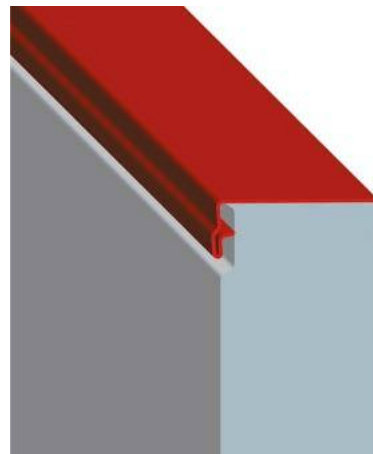
ПРОФИЛИ ДЛЯ ПОЛОТНА ВОРОТ

УСТАНОВКА ПРОФИЛЯ КОНЦЕВОГО ВЕРХНЕГО

Профиль верхний (PRG-37)



Профиль верхний (PRG-38)



Профиль верхний

Предназначен для установки на верхнюю панель полотна ворот.

Используется:

- в гаражных воротах с пружинами растяжения и торсионными пружинами;
- в промышленных воротах всех типов монтажа.

Материал.....оцинкованная сталь

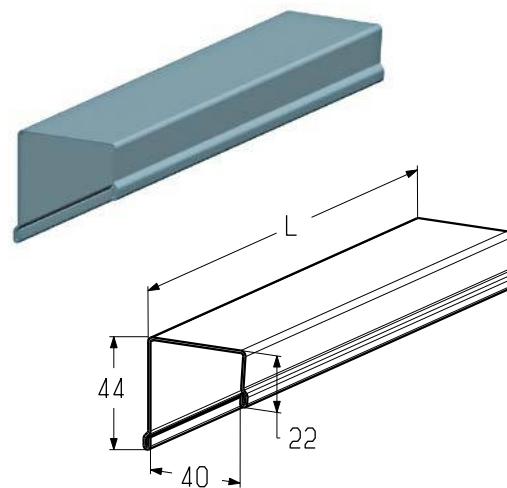
Покрытие..... лакокрасочное

Цвет..... бело-серый (близкий RAL9002)

Вес, кг/м.....0,908

Единица измерения.....м

Арт.	Код	Длина, мм	Норма поставки, м	Розничная цена, евро с НДС
PRG-37-5700	402140110	5700	570	7,00
PRG-37-7040	402140310	7040	704	7,00



Профиль верхний

Предназначен для установки на верхнюю панель полотна ворот.

Используется:

- в гаражных воротах с пружинами растяжения и торсионными пружинами;
- в промышленных воротах всех типов монтажа.

Устанавливается на сэндвич-панель с горизонтальным гофром в том случае, если подрезка панели попадает на паз.

Материал.....оцинкованная сталь

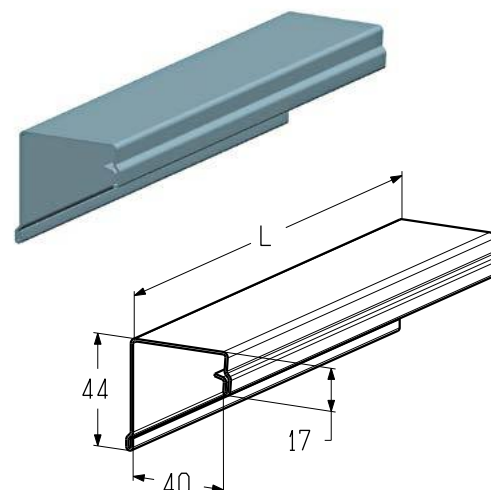
Покрытие..... лакокрасочное

Цвет..... бело-серый (близкий RAL9002)

Вес, кг/м.....0,949

Единица измерения.....м

Арт.	Код	Длина, мм	Норма поставки, м	Розничная цена, евро с НДС
PRG-38-5700	402140210	5700	456	7,00
PRG-38-7040	402140410	7040	563,2	7,00



УСТАНОВКА ПРОФИЛЯ КОНЦЕВОГО НИЖНЕГО



1.1

Профиль концевой (нижний)

Используется:

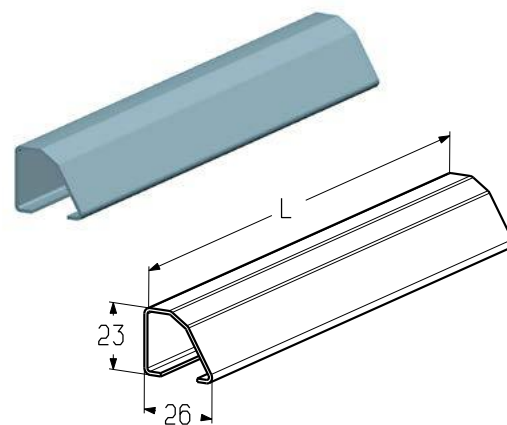
- в гаражных воротах с пружинами растяжения и торсионными пружинами;
- в промышленных воротах всех типов монтажа.

Материал.....оцинкованная сталь

Вес, кг/м.....0,633

Единица измерения.....м

Арт.	Код	Длина, мм	Норма поставки, м	Розничная цена, евро с НДС
PRG-36-5700	402130100	5700	684	2,30
PRG-36-7040	402130200	7040	844,8	2,30



ПРОФИЛИ ДЛЯ ПОЛОТНА ВОРОТ

УСТАНОВКА ФАЛЬШПАНЕЛИ



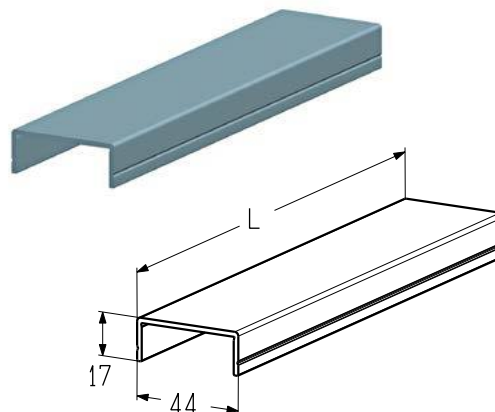
Профиль воротный

Предназначен для изготовления фальшпанели.

- в гаражных воротах с пружинами растяжения и торсионными пружинами;
- в промышленных воротах всех типов монтажа.

Длина, мм.....6000
 Материал.....алюминий
 Вес, кг/м.....0,376
 Единица измерения.....м
 Норма поставки, м72

Арт.	Код	Покрытие	Цвет	Розничная цена, евро с НДС
PRD85	401420191	Анодированное	A00-D6 (серебро)	7,76
PRD85	401420533	Порошковое	Близкий RAL8019	7,41



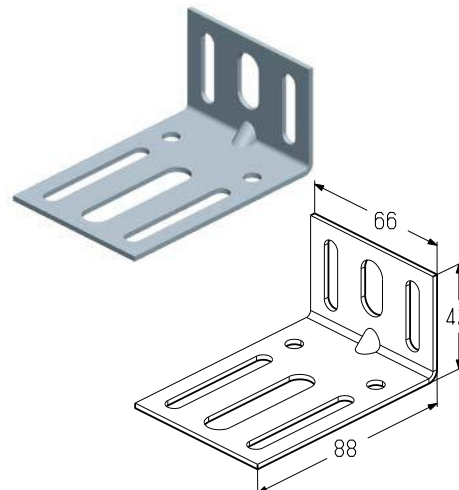
Кронштейн

Предназначен для крепления фальшпанели к верхней перемычке высотой до 65 мм:

- в гаражных воротах с пружинами растяжения и торсионными пружинами;
- в промышленных воротах всех типов монтажа.

Материал.....оцинкованная сталь
 Вес, кг/шт.....0,092
 Единица измерения.....шт.
 Норма поставки, шт.200

Арт.	Код	Розничная цена, евро с НДС
FPB5007	401820100	2,50



Пластина

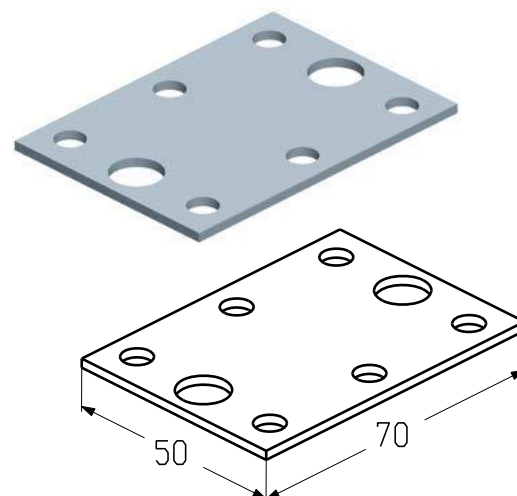
Предназначена для крепления фальшпанели к верхней перемычке высотой свыше 65 мм и боковым стенкам проема.

Используется:

- в гаражных воротах с пружинами растяжения и торсионными пружинами;
- в промышленных воротах всех типов монтажа.

Материал..... оцинкованная сталь
 Вес, кг/шт.....0,049
 Единица измерения.....шт.
 Норма поставки, шт. 300

Арт.	Код	Розничная цена, евро с НДС
FPP5008	401830100	2,00



1.1

Кронштейн

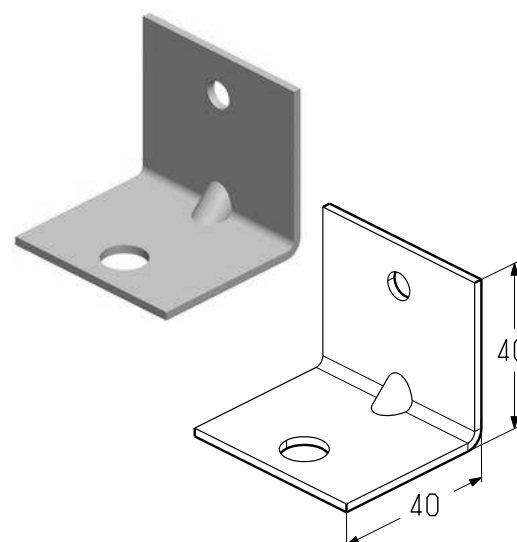
Предназначен для крепления фальшпанели к боковым стенкам проема.

Используется:

- в гаражных воротах с пружинами растяжения и торсионными пружинами;
- в промышленных воротах всех типов монтажа.

Материал..... оцинкованная сталь
 Вес, кг/шт.....0,053
 Единица измерения.....шт.
 Норма поставки, шт. 300

Арт.	Код	Розничная цена, евро с НДС
FPB5009	401820200	1,45

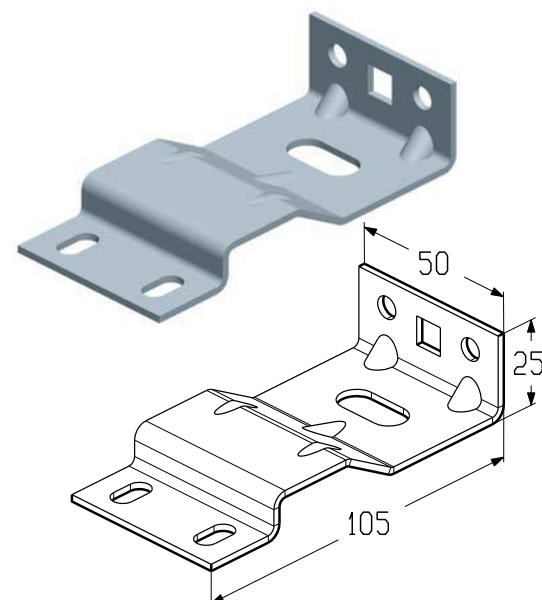

Кронштейн

Предназначен для крепления фальшпанели к боковым стенкам проема.

Устанавливается совместно с угловым профилем. Используется в промышленных воротах высоких и вертикальных типов монтажа.

Материал..... оцинкованная сталь
 Вес, кг/шт.....0,101
 Единица измерения.....шт.
 Норма поставки, шт. 160

Арт.	Код	Розничная цена, евро с НДС
FPB5010	401820300	3,60



ПРОФИЛИ ДЛЯ ПОЛОТНА ВОРОТ

УСТАНОВКА ПРОФИЛЯ УСИЛИВАЮЩЕГО



Профиль усиливающий

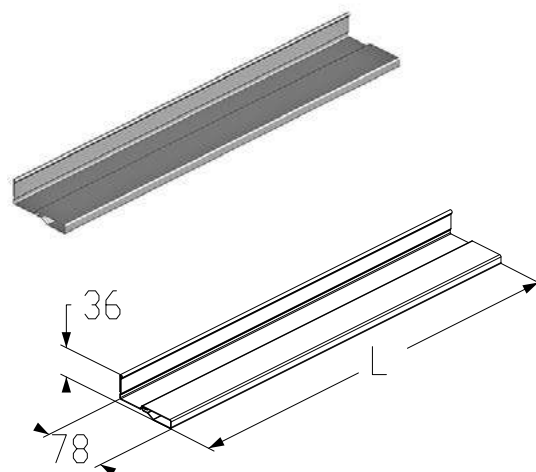
Используется в гаражных воротах с торсионными пружинами шириной свыше 5 м.

Используется в промышленных воротах:

- всех типов монтажа (кроме высоких и вертикальных) шириной свыше 5 м;
- высоких и вертикальных типах монтажа шириной свыше 4,5 м.

Материал оцинкованная сталь
 Вес, кг/м 1,52
 Единица измерения м

Арт.	Код	Длина, мм	Норма поставки, м	Розничная цена, евро с НДС
PRG-19-4290	401436200	4290	686,4	14,00
PRG-19-4950	401436400	4950	792,0	14,00
PRG-19-5610	401436600	5610	897,6	14,00
PRG-19-6600	401436900	6600	1056,0	14,00



Профиль усиливающий

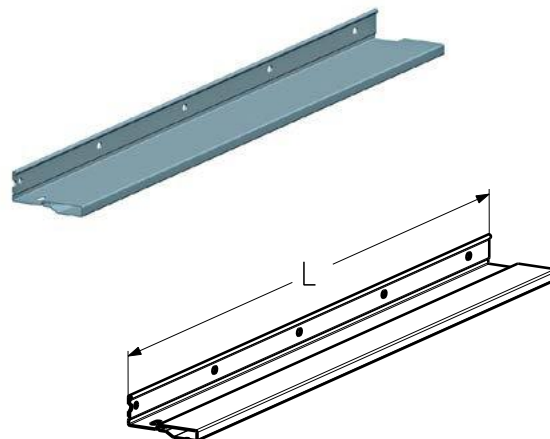
Используется в гаражных воротах с торсионными пружинами с панорамным остеклением (серия ПО) шириной свыше 5 м.

Используется в промышленных воротах с панорамным остеклением (серий АЛП, АЛПС, ПО):

- всех типов монтажа (кроме высоких и вертикальных) шириной свыше 5 м;
- высоких и вертикальных типах монтажа шириной свыше 4,5 м.

Материал оцинкованная сталь
 Вес, кг/м 1,52
 Единица измерения м

Арт.	Код	Длина, мм	Норма поставки, м	Розничная цена, евро с НДС
PRG-20-4290	401437100	4290	686,4	15,00
PRG-20-4950	401437300	4950	792,0	15,00
PRG-20-5610	401437500	5610	897,6	15,00
PRG-20-6600	401437800	6600	1056,0	15,00

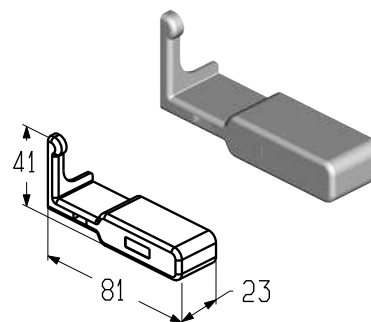


Заглушка

Устанавливается совместно с профилем усиливающим (PRG-19, PRG-20).

Материал.....ABS
 Вес, кг/м.....0,01
 Единица измеренияшт.
 Норма поставки, шт. 630

Арт.	Код	Примечание	Розничная цена, евро с НДС
P19R	401530500	Правая	0,60
P19L	401530400	Левая	0,60



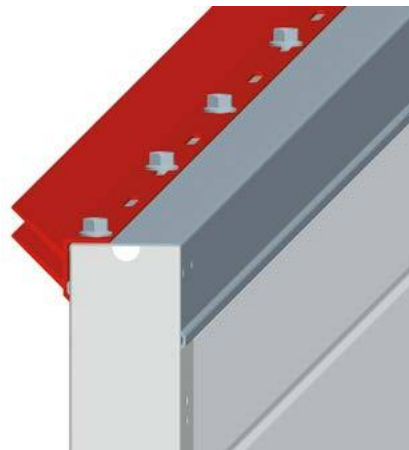
УПЛОТНИТЕЛИ РЕЗИНОВЫЕ

УСТАНОВКА ВСТАВКИ УПЛОТНИТЕЛЬНОЙ

Вставка уплотнительная нижняя



Вставка уплотнительная верхняя



Вставка уплотнительная (нижняя)

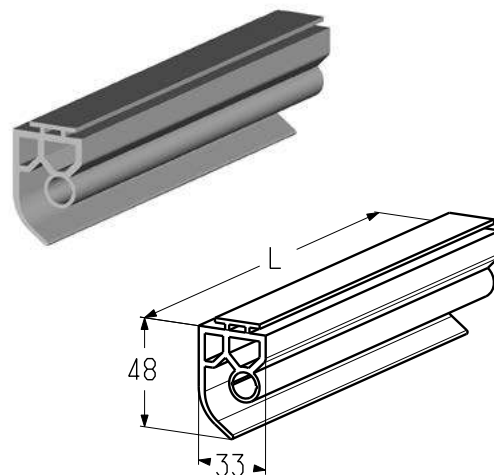
Предназначена для герметизации нижней части проема. Устанавливается в профиль концевой нижней (PRG-36).

Используется:

- в гаражных с пружинами растяжения и торсионными пружинами всех типов монтажа;
- в промышленных воротах всех типов монтажа.

МатериалEPDM
 Вес, кг/м 0,39
 Единица измерениям
 Норма поставки, м55

Арт.	Код	Розничная цена, евро с НДС
RSB10	401510600	8,30

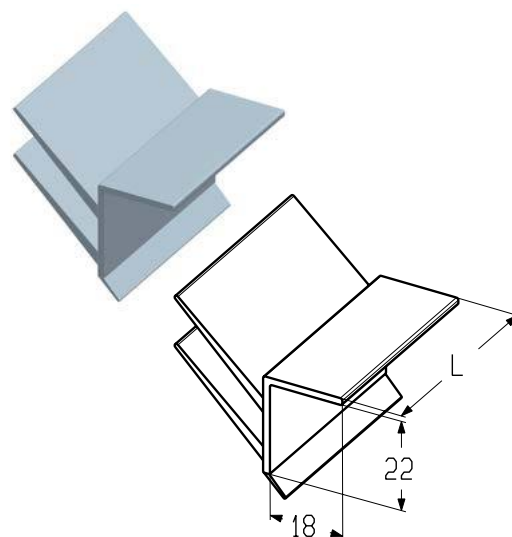


Вставка уплотнительная (верхняя)

Предназначена для герметизации верхней части проема. Устанавливается совместно с профилем концевым верхним (PRG-37, PRG-38). Используется в промышленных воротах всех типов монтажа.

Материал RPVC+TPE
 Вес, кг/м 0,30
 Единица измерениям
 Норма поставки, м 180

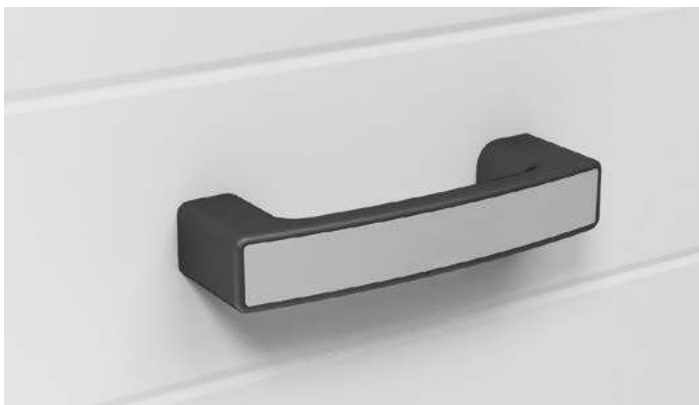
Арт.	Код	Розничная цена, евро с НДС
RST01	401520100	8,50



УСТАНОВКА РУЧКИ ДЛЯ ГАРАЖНЫХ ВОРОТ

Внешняя сторона

Внутренняя сторона



1.1

Ручка

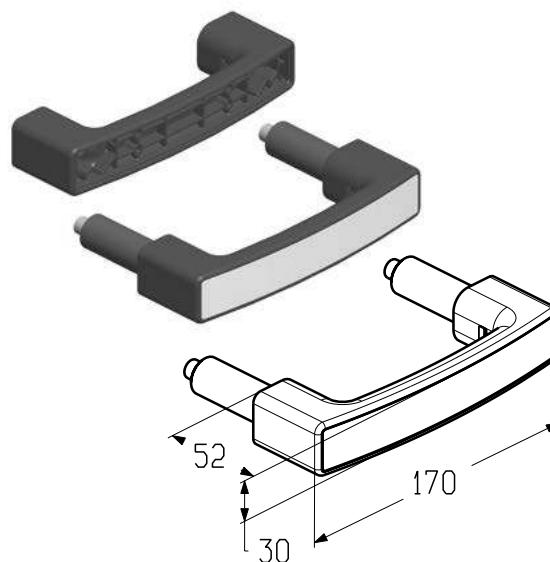
Предназначена для подъема полотна:

- гаражных ворот с пружинами растяжения и торсионными пружинами всех типов монтажа;
- промышленных ворот всех типов монтажа.

В комплект входит:

- двухсторонняя ручка;
- крышка для внутренней ручки, цвет близкий к RAL9002.

Материалполиамид
 Цветчерный
 Вес, кг/м 0,23
 Единица измеренияшт.
 Норма поставки, шт 27

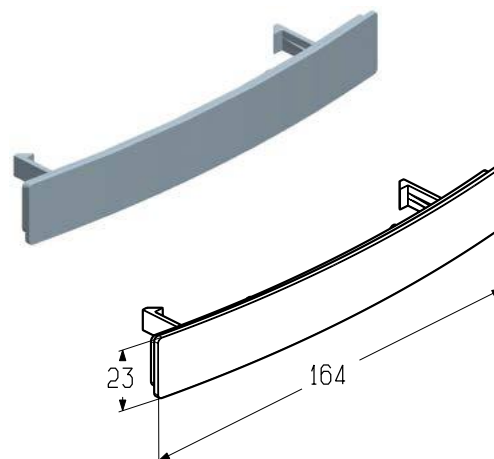


Арт.	Код	Розничная цена, евро с НДС
HGI-40.006	407410800	14,00

Крышка

Используется совместно с ручкой (HGI-40.006).

МатериалABS
 Вес, кг/м 0,01
 Единица измеренияшт.
 Норма поставки, шт 400



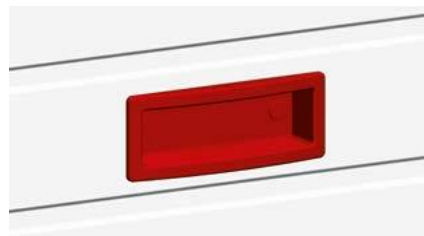
Арт.	Код	Цвет*	Розничная цена, евро с НДС
HGI006.002.01	407430000	RAL9016	0,90
HGI006.002.02	407430100	RAL8014	0,90
HGI006.002.03	407430200	RAL9006	0,90
HGI006.002.04	407430300	RAL5010	0,90
HGI006.002.09	407430400	RAL6005	0,90
HGI006.002.10	407430500	RAL1015	0,90
HGI006.002.12	407430600	RAL3004	0,90
HGI006.002.15	407430700	RAL9002	0,90
HGI006.002.16	407430800	RAL7016	0,90
HGI006.002.17	407430900	RAL8017	0,90
HGI006.002.18	407431000	RAL9005	0,90

* Указанные цвета имеют близкое соответствие шкале RAL.

АКСЕССУАРЫ ДЛЯ СЕКЦИОННЫХ ВОРОТ

УСТАНОВКА РУЧКИ

Ручка (HGI-40.007)

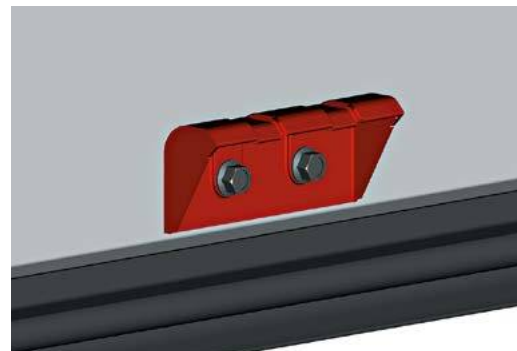


Внешняя сторона



Внутренняя сторона

Ручка (HG-40.008)



1.1

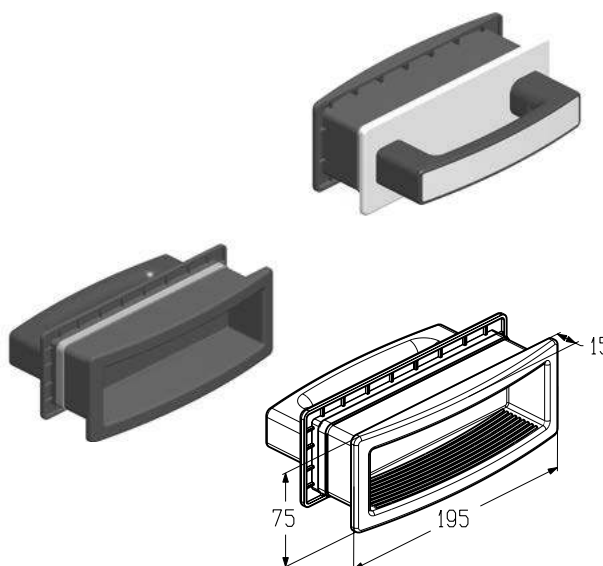
Ручка

Предназначена для подъема полотна:

- гаражных ворот с пружинами растяжения и торсионными пружинами всех типов монтажа;
- промышленных ворот всех типов монтажа.

Материал.....полиамид
 Цветчерный
 Вес, кг/шт..... 0,65
 Единица измеренияшт.
 Норма поставки, шт.....28

Арт.	Код	Розничная цена, евро с НДС
HGI-40.007	401930200	22,00



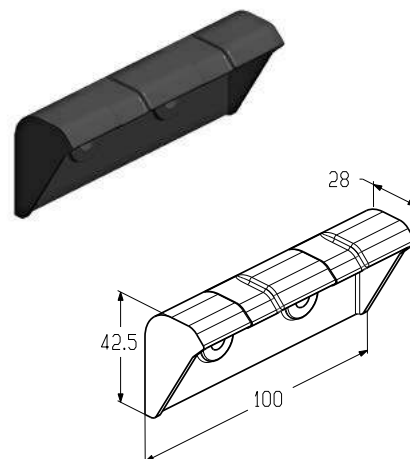
Ручка

Предназначена для подъема полотна без встроенной калитки:

- гаражных ворот с пружинами растяжения и торсионными пружинами всех типов монтажа;
- промышленных воротах всех типов монтажа.

Материал.....полиамид
 Цвет.....черный
 Вес, кг/шт..... 0,02
 Единица измеренияшт.
 Норма поставки, шт..... 300

Арт.	Код	Розничная цена, евро с НДС
HG-40.008	407410700	1,25

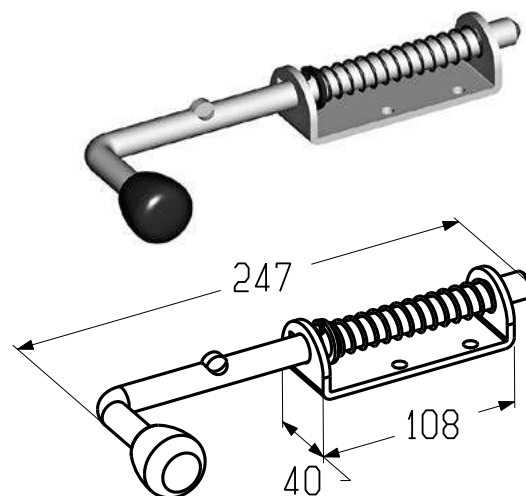


Засов

Предназначен для запираения гаражных и промышленных ворот всех типов монтажа.

Материал.....оцинкованная сталь
 Вес, кг/шт.....0,506
 Единица измеренияшт.
 Норма поставки, шт.....20

Арт.	Код	Розничная цена, евро с НДС
SB0100	401960000	7,10



1.1

Комплект механизма разблокировки

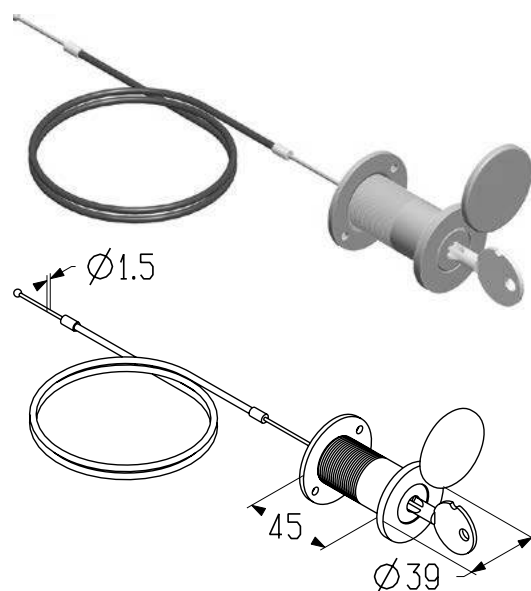
Предназначен для разблокировки электропривода реечного типа.

Используется:

- гаражных ворот с пружинами растяжения и торсионными пружинами всех типов монтажа;
- в промышленных воротах низких типов монтажа.

Единица измеренияшт.
 Длина троса, мм4500
 Вес, кг/шт.....0,52
 Норма поставки, шт.....4

Арт.	Код	Розничная цена, евро с НДС
RM0104-4500	401971800	23,05


Трос разблокировки

Предназначен для разблокировки электропривода реечного типа.

Используется совместно с устройством запирающим RLT-403.

В комплект входит:

- трос разблокировки;
- комплект крепежа (винты самонарезающие, скобы, хомуты).

Единица измеренияшт.
 Норма поставки, шт.....1

Арт.	Код	Длина, мм	Вес, кг/шт.	Розничная цена, евро с НДС
RK-4500	401971600	4500	0,56	16,90
RK-6000	401971700	6000	0,65	20,00



АКСЕССУАРЫ ДЛЯ СЕКЦИОННЫХ ВОРОТ

УСТАНОВКА УСТРОЙСТВА ЗАПИРАЮЩЕГО ДЛЯ ГАРАЖНЫХ ВОРОТ

Внешняя сторона

Внутренняя сторона



Устройство запирающее

Предназначено для запирания гаражных ворот с пружинами растяжения и торсионными пружинами.

В комплект входит:

- устройство запирающее;
- крышка для внутренней ручки, цвет близкий RAL9002.

Вес, кг/шт. 2,8
Единица измеренияшт.
Норма поставки, шт. 1

Арт.	Код	Розничная цена, евро с НДС
RLT-403	407210400	74,00

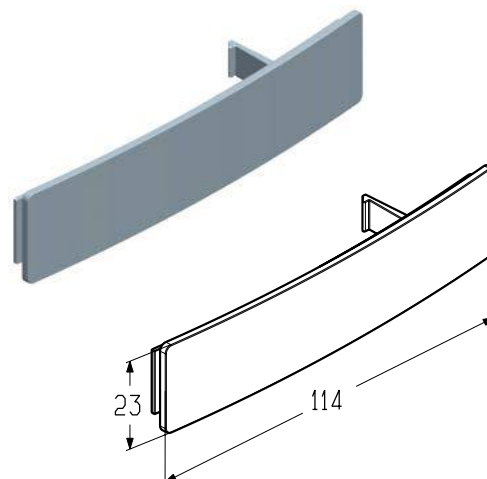


Крышка

Используется совместно с устройством запирающим (RLT-403).

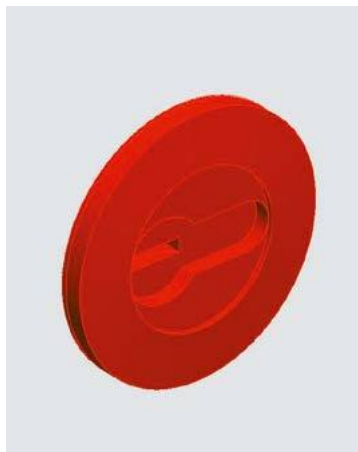
МатериалABS
Вес, кг/м 0,01
Единица измеренияшт.
Норма поставки, шт. 1000

Арт.	Код	Цвет*	Розничная цена, евро с НДС
RLG003.226.01	407230000	RAL9016	0,75
RLG003.226.02	407230100	RAL8014	0,75
RLG003.226.03	407230200	RAL9006	0,75
RLG003.226.04	407230300	RAL5010	0,75
RLG003.226.09	407230400	RAL6005	0,75
RLG003.226.10	407230500	RAL1015	0,75
RLG003.226.12	407230600	RAL3004	0,75
RLG003.226.15	407230700	RAL9002	0,75
RLG003.226.16	407230800	RAL7016	0,75
RLG003.226.17	407230900	RAL8017	0,75
RLG003.226.18	407231000	RAL9005	0,75

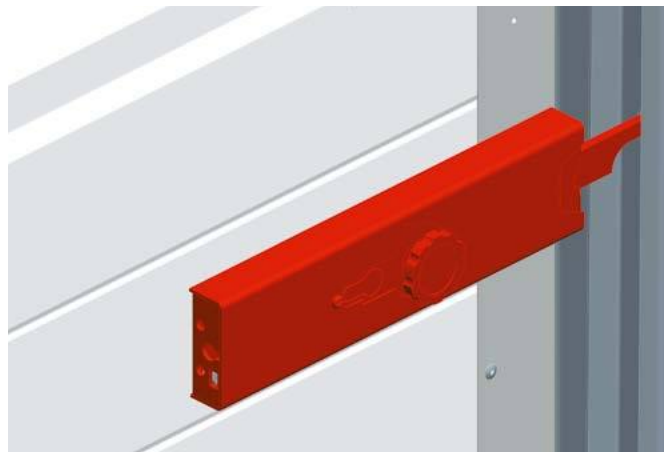


УСТАНОВКА ЗАМКА РИГЕЛЬНОГО ДЛЯ ПРОМЫШЛЕННЫХ ВОРОТ

Внешняя сторона



Внутренняя сторона



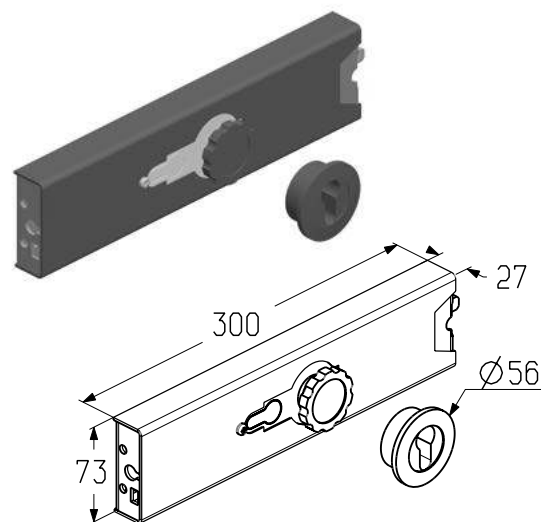
1.1

Замок ригельный

Предназначен для запираения промышленных ворот всех типов монтажа. Используется совместно с цилиндрическим механизмом 9/57 мм (С-9/57).

Вес, кг/шт..... 1,85
Единица измерения шт.
Норма поставки, шт. 3

Арт.	Код	Розничная цена, евро с НДС
RLI0103	401970600	106,15

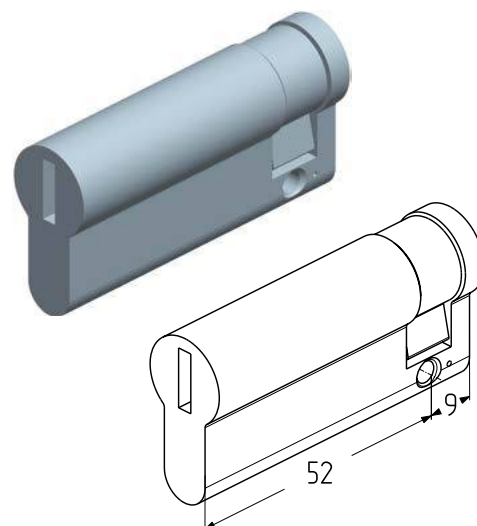


Цилиндрический механизм 9/52 мм

Предназначен для запираения промышленных ворот всех типов монтажа. Используется совместно с замком ригельным (RLI0103).

Вес, кг/шт..... 0,25
Единица измерения шт.
Норма поставки, шт. 3

Арт.	Код	Розничная цена, евро с НДС
С-9/52	407280100	9,20



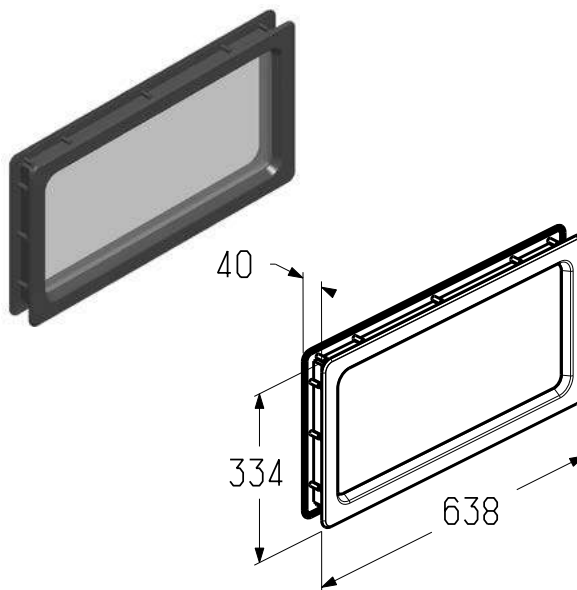
АКСЕССУАРЫ ДЛЯ СЕКЦИОННЫХ ВОРОТ

Окно

Используется:

- гаражных ворот с пружинами растяжения и торсионными пружинами всех типов монтажа;
- в промышленных воротах всех типов монтажа.

Материал..... SAN
 Вес, кг/шт..... 1,7
 Единица измерения..... шт.
 Норма поставки, шт..... 192



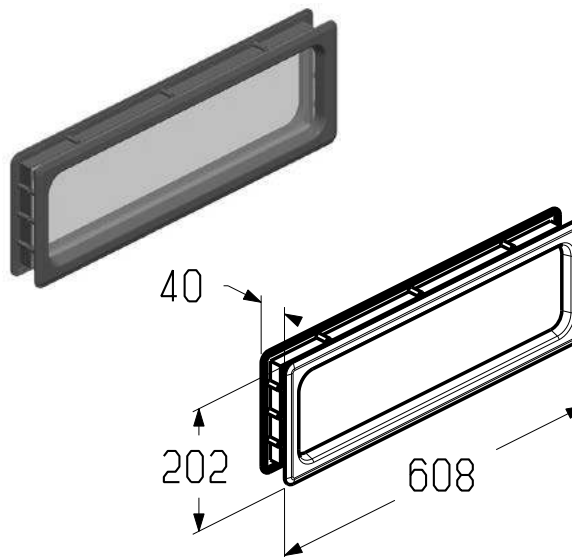
Арт.	Код	Розничная цена, евро с НДС
W046-40	401985600	84,60

Окно

Используется:

- гаражных ворот с пружинами растяжения и торсионными пружинами всех типов монтажа;
- в промышленных воротах всех типов монтажа.

Материал..... SAN
 Вес, кг/шт..... 1,1
 Единица измерения..... шт.
 Норма поставки, шт..... 12



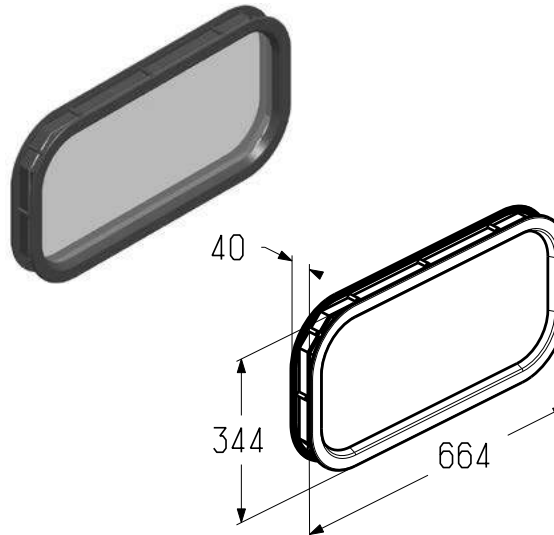
Арт.	Код	Розничная цена, евро с НДС
W085-40	401985500	81,50

Окно

Используется:

- гаражных ворот с пружинами растяжения и торсионными пружинами всех типов монтажа;
- в промышленных воротах всех типов монтажа.

Материал..... SAN
 Вес, кг/шт..... 1,6
 Единица измерения..... шт.
 Норма поставки, шт..... 192



Арт.	Код	Розничная цена, евро с НДС
W095-40	401985400	84,60

АКСЕССУАРЫ ДЛЯ СЕКЦИОННЫХ ВОРОТ

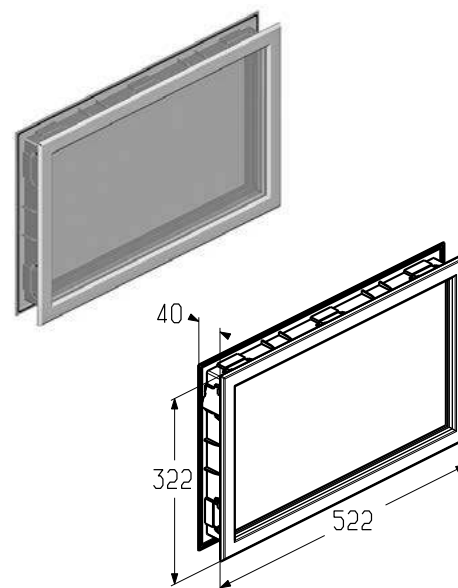
Окно

Используется:

- гаражных ворот с пружинами растяжения и торсионными пружинами всех типов монтажа;
- в промышленных воротах всех типов монтажа.

Материал.....ABS
 Вес, кг/шт.....2,7
 Единица измерения.....шт.
 Норма поставки, шт.....10

Арт.	Код	Цвет рамы	Тип остекления	Розничная цена, евро с НДС
W043WH-CG40	401984600	Белый	Акриловое кристаллическое	80,00
W043WH-TG40	401984700	Белый	Акриловое прозрачное	80,00
W043BR-CG40	401984800	Коричневый	Акриловое кристаллическое	80,00
W043BR-TG40	401984900	Коричневый	Акриловое прозрачное	80,00



1.1

Вставка декоративная Cross

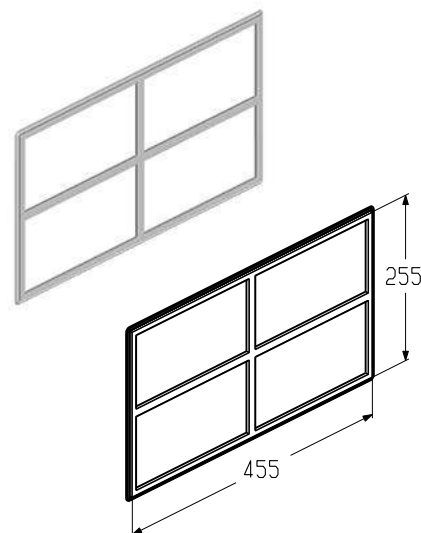
Предназначена для установки совместно с вставкой светопрозрачной (W043WH-CG/TG40, W043BR CG/TG40).

Используется:

- гаражных ворот с пружинами растяжения и торсионными пружинами всех типов монтажа;
- в промышленных воротах всех типов монтажа.

Вес, кг/шт.....1,1
 Единица измерения.....шт.
 Норма поставки, шт.....80

Арт.	Код	Цвет	Розничная цена, евро с НДС
DIC043WH	401983400	Белый	23,00
DIC043BR	401983500	Коричневый	23,00



Комплект вставок декоративных Sunrise 3

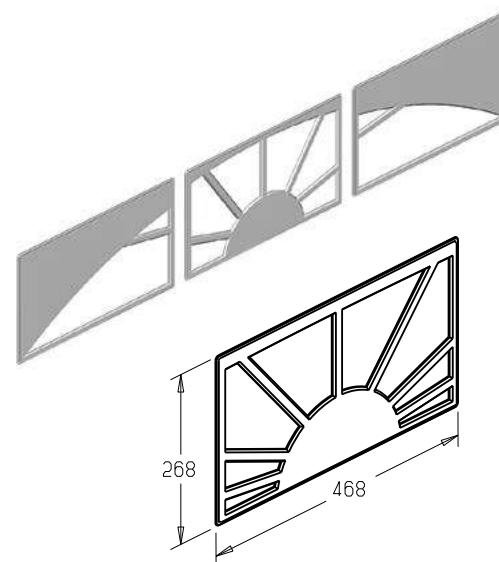
Предназначена для установки совместно с вставкой светопрозрачной (W043WH-CG/TG40, W043BR CG/TG40).

Используется:

- гаражных ворот с пружинами растяжения и торсионными пружинами всех типов монтажа;
- в промышленных воротах всех типов монтажа.

Вес, кг/шт.....0,49
 Единица измерения.....шт.
 Норма поставки, шт.....20

Арт.	Код	Цвет	Розничная цена, евро с НДС
DIS043WH-3	401982500	Белый	64,60
DIS043BR-3	401981900	Коричневый	64,60



АКСЕССУАРЫ ДЛЯ СЕКЦИОННЫХ ВОРОТ

Комплект вставок декоративных Sunrise 4

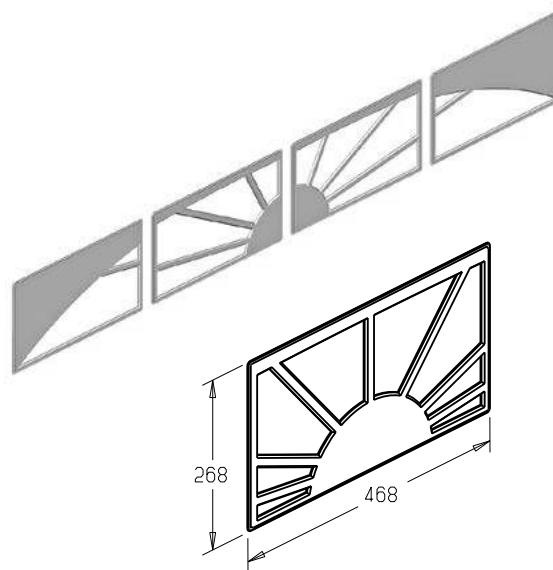
Предназначена для установки совместно с вставкой светопрозрачной (W043WH-CG/TG40, W043BR CG/TG40).

Используется:

- гаражных ворот с пружинами растяжения и торсионными пружинами всех типов монтажа;
- в промышленных воротах всех типов монтажа.

Вес, кг/шт..... 0,58
Единица измерения..... шт.
Норма поставки, шт..... 20

Арт.	Код	Цвет	Розничная цена, евро с НДС
DIS043WH-4	401981500	Белый	89,20
DIS043BR-4	401982600	Коричневый	89,20



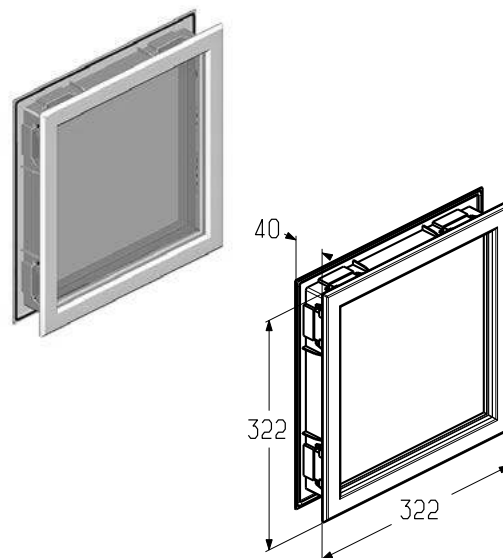
Окно

Используется:

- гаражных ворот с пружинами растяжения и торсионными пружинами всех типов монтажа;
- в промышленных воротах всех типов монтажа.

Материал.....ABS
Вес, кг/шт..... 2,76
Единица измерения..... шт.
Норма поставки, шт..... 10

Арт.	Код	Цвет рамы	Розничная цена, евро с НДС
W050WH-40	401985000	Белый	73,85
W050BR-40	401985100	Коричневый	73,85



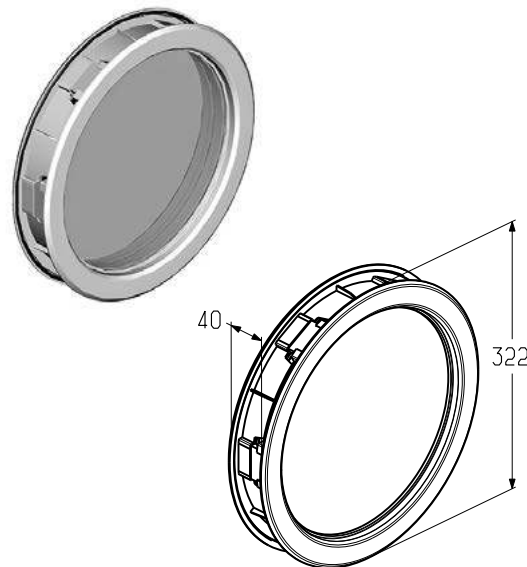
Окно

Используется:

- гаражных ворот с пружинами растяжения и торсионными пружинами всех типов монтажа;
- в промышленных воротах всех типов монтажа.

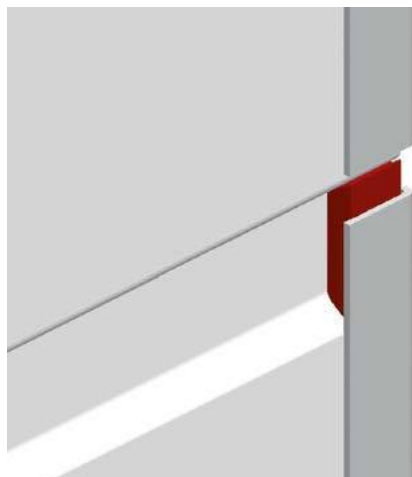
Материал.....ABS
Вес, кг/шт..... 2,76
Единица измерения..... шт.
Норма поставки, шт..... 10

Арт.	Код	Цвет рамы	Розничная цена, евро с НДС
W060WH-40	401985200	Белый	80,00
W060BR-40	401985300	Коричневый	80,00

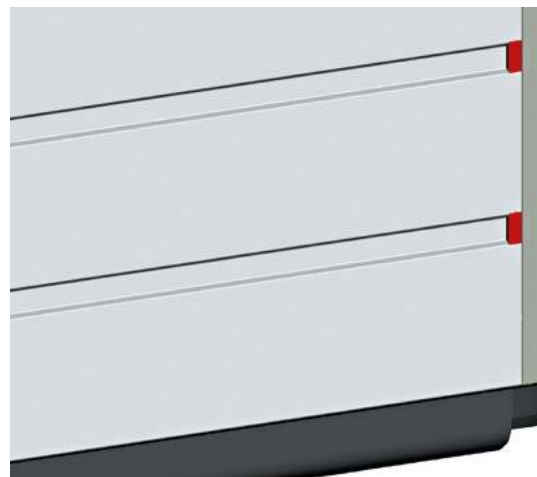


УСТАНОВКА ЗАГЛУШКИ МЕЖПАНЕЛЬНОЙ И ЗАГЛУШКИ

Заглушка межпанельная (P-1501)



Заглушка (P-1502)

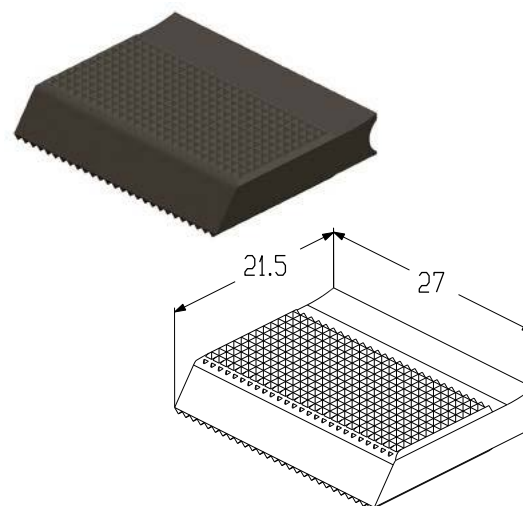


Заглушка межпанельная

Устанавливается совместно с боковой накладкой (EC-40.450R/L, EC-40.500R/L, EC-40.625R/L, EC-40.500DR/L, EC-40.625DR/L).
Используется в гаражных воротах с пружинами растяжения и торсионными пружинами, промышленных воротах с рисунками полотна «S-гофр», «M-гофр» и «L-гофр».

МатериалTPER
Вес, кг/шт.....0,002
Единица измеренияшт.
Норма поставки, шт.....5000

Арт.	Код	Розничная цена, евро с НДС
P-1501	401990100	0,30

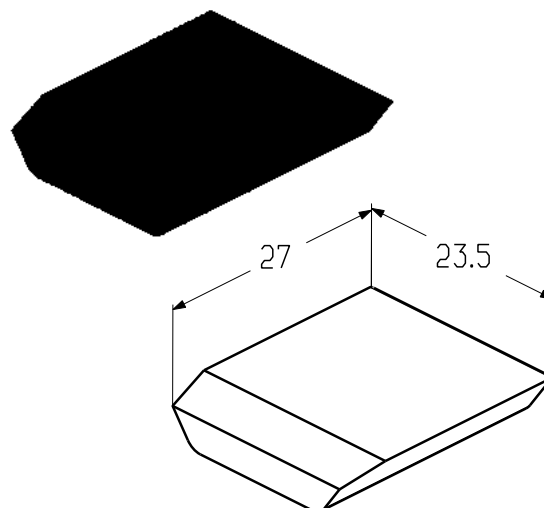


Заглушка

Устанавливается совместно с боковой накладкой (EC-40.450R/L, EC-40.500R/L, EC-40.625R/L).
Используется в гаражных воротах с пружинами растяжения и торсионными пружинами, промышленных воротах с рисунками полотна «S-гофр» и «M-гофр».

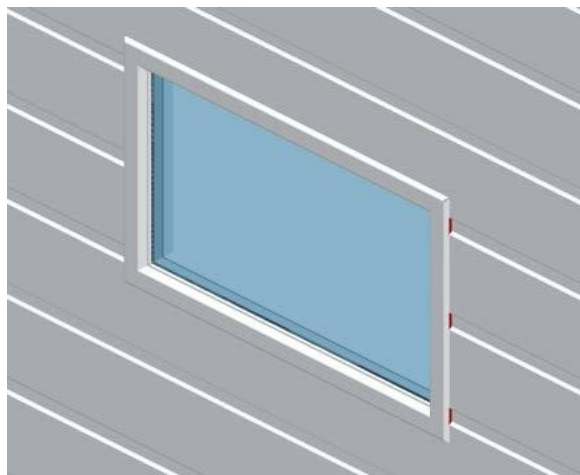
МатериалTPER
Вес, кг/шт.....0,001
Единица измеренияшт.
Норма поставки, шт.....5000

Арт.	Код	Розничная цена, евро с НДС
P-1502	401990200	0,30



УСТАНОВКА ЗАГЛУШКИ ОКОННОЙ

Заглушка оконная (арт. P1012)



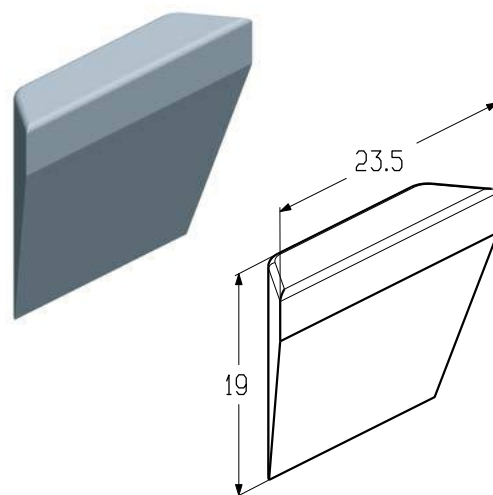
Заглушка оконная

Устанавливается совместно с окнами (W085-40, W095-40, W046-40, W043WH-CG/TG40, W043BR CG/TG40, W050WH-40, W050BR-40, W060WH-40, W060BR-40).

Используется в гаражных воротах с пружинами растяжения и торсионными пружинами, промышленных воротах с рисунками полотна «S-гофр» и «М-гофр».

Материал полиуретан
 Вес, кг/шт. 0,002
 Единица измерения шт.
 Норма поставки, шт. 6000

Арт.	Код	Розничная цена, евро с НДС
P1012	401982400	0,40

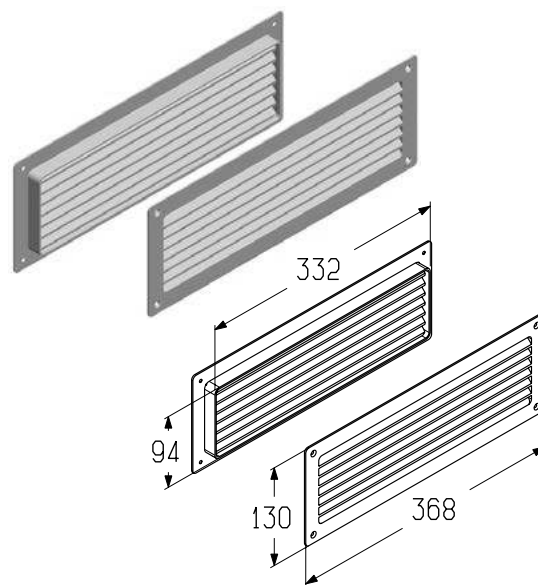


Решетка вентиляционная регулируемая (белая)
Решетка вентиляционная регулируемая (черная)

Используется в гаражных воротах с пружинами растяжения и торсионными пружинами, промышленных воротах с рисунками полотна «S-гофр», «М-гофр» и «L-гофр», «Микроволна».

Материалпластмасса
 Вес, кг/к-т..... 0,48
 Единица измеренияк-т
 Норма поставки, к-т.....10

Арт.	Код	Цвет	Розничная цена, евро с НДС
VG-368RWH	401900000	Белый	23,00
VG-368RBK	401900100	Черный	23,00



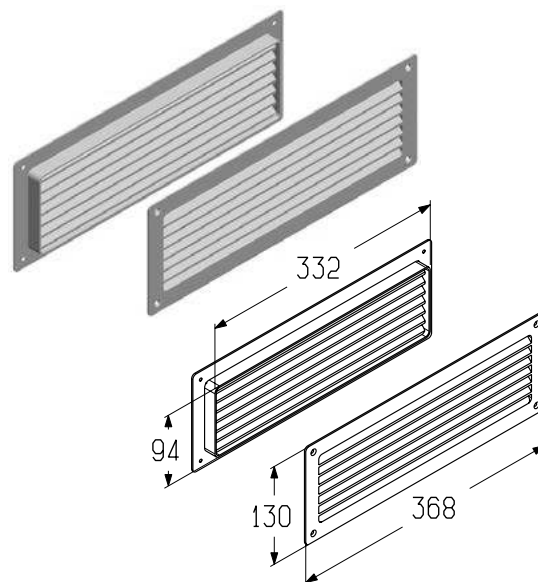
1.1

Решетка вентиляционная нерегулируемая (белая)
Решетка вентиляционная нерегулируемая (черная)

Используется в гаражных воротах с пружинами растяжения и торсионными пружинами, промышленных воротах с рисунками полотна «S-гофр», «М-гофр» и «L-гофр», «Микроволна».

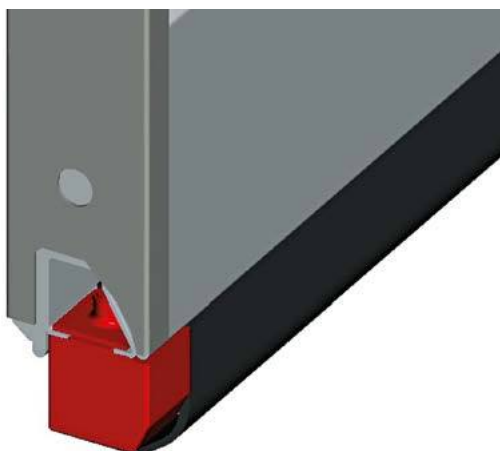
Материалпластмасса
 Вес, кг/к-т..... 0,45
 Единица измеренияк-т
 Норма поставки, к-т.....10

Арт.	Код	Цвет	Розничная цена, евро с НДС
VG-368WH	401900200	Белый	18,45
VG-368BK	401900300	Черный	18,45



АКСЕССУАРЫ ДЛЯ СЕКЦИОННЫХ ВОРОТ

УСТАНОВКА УПОРА НИЖНЕГО

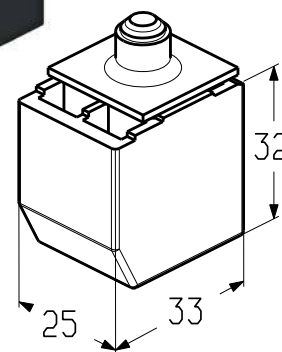


Упор нижний

Используется:

- гаражных ворот с пружинами растяжения и торсионными пружинами всех типов монтажа;
- в промышленных воротах всех типов монтажа.

Материал HDPE
 Вес, кг/шт 0,041
 Единица измерения шт.
 Норма поставки, шт. 500

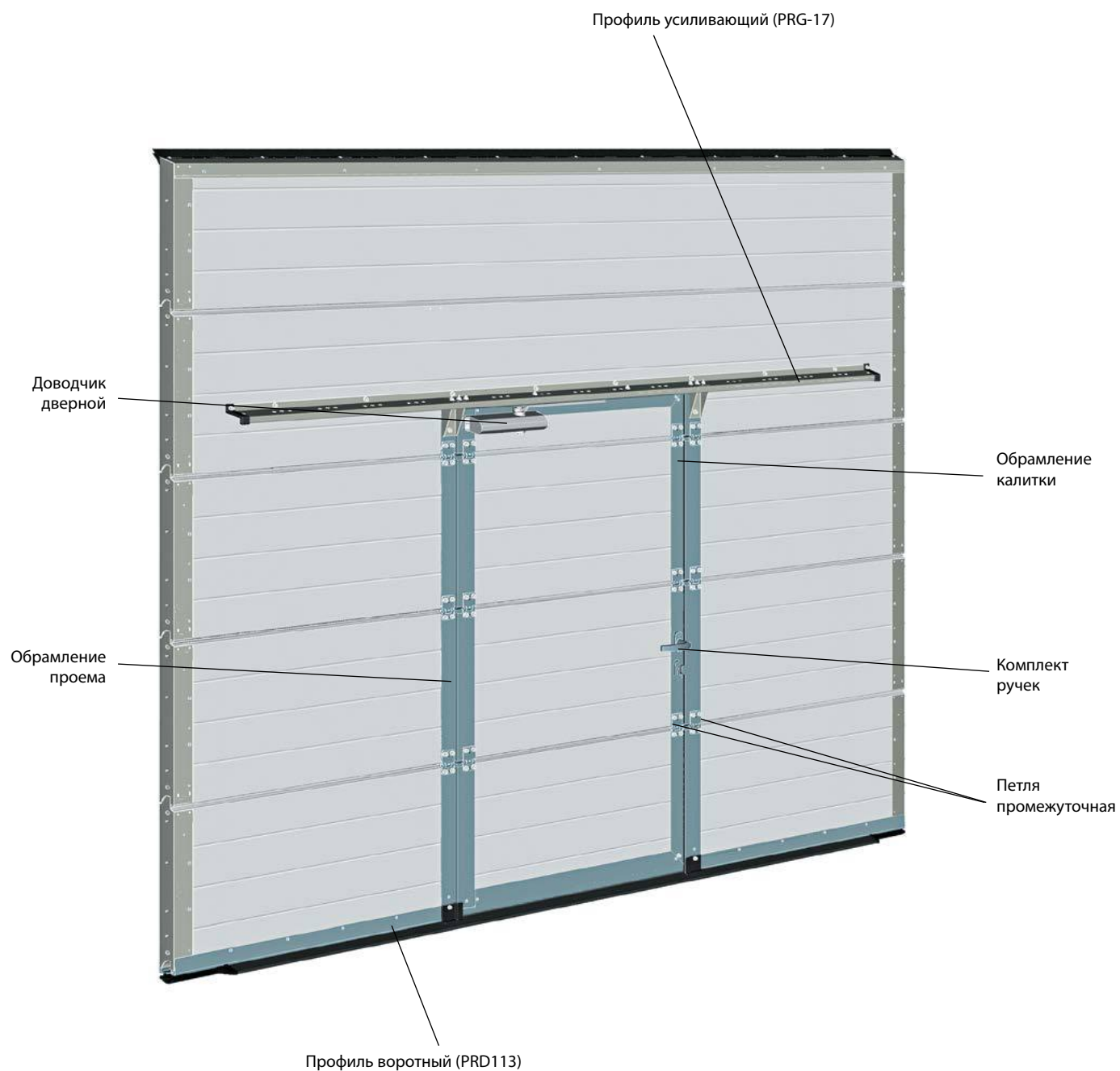


Арт.	Код	Розничная цена, евро с НДС
LS-1017	401940400	1,00



ВСТРОЕННАЯ КАЛИТКА

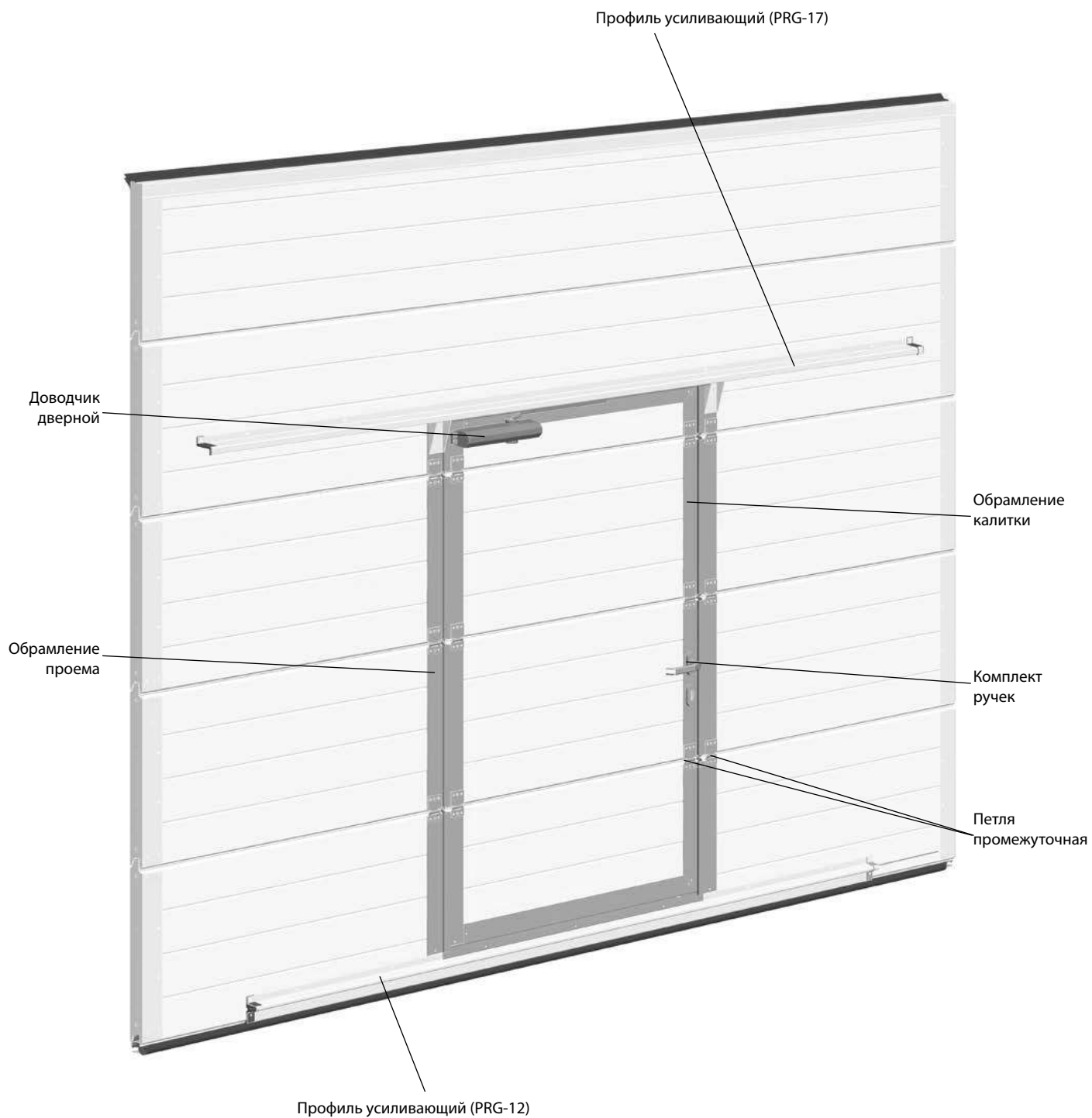
ТИПОВАЯ КОНСТРУКЦИЯ ВСТРОЕННОЙ КАЛИТКИ С ПЛОСКИМ ПОРОГОМ



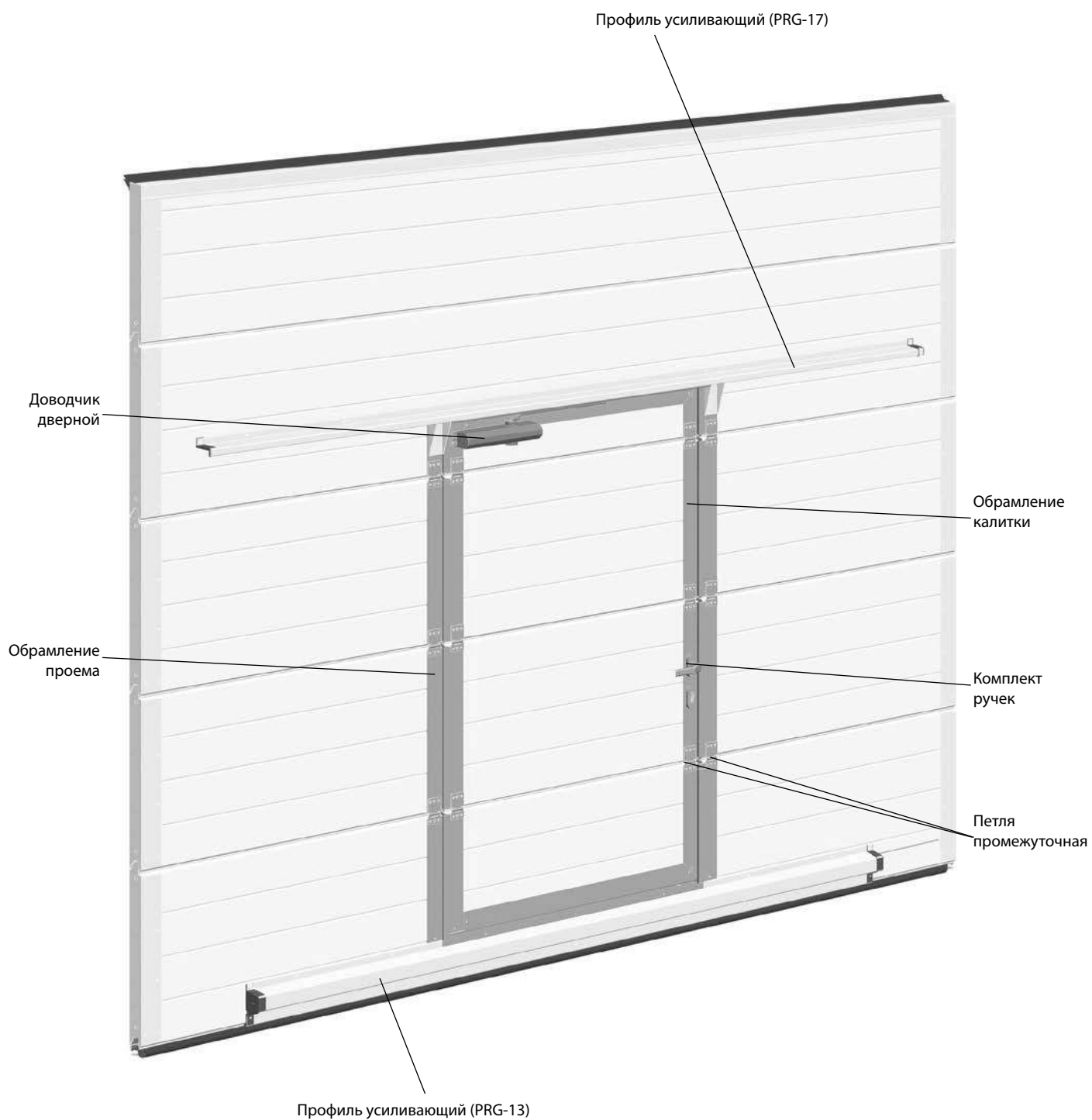
1.2

ВСТРОЕННАЯ КАЛИТКА

ТИПОВАЯ КОНСТРУКЦИЯ ВСТРОЕННОЙ КАЛИТКИ С НИЗКИМ ПОРОГОМ



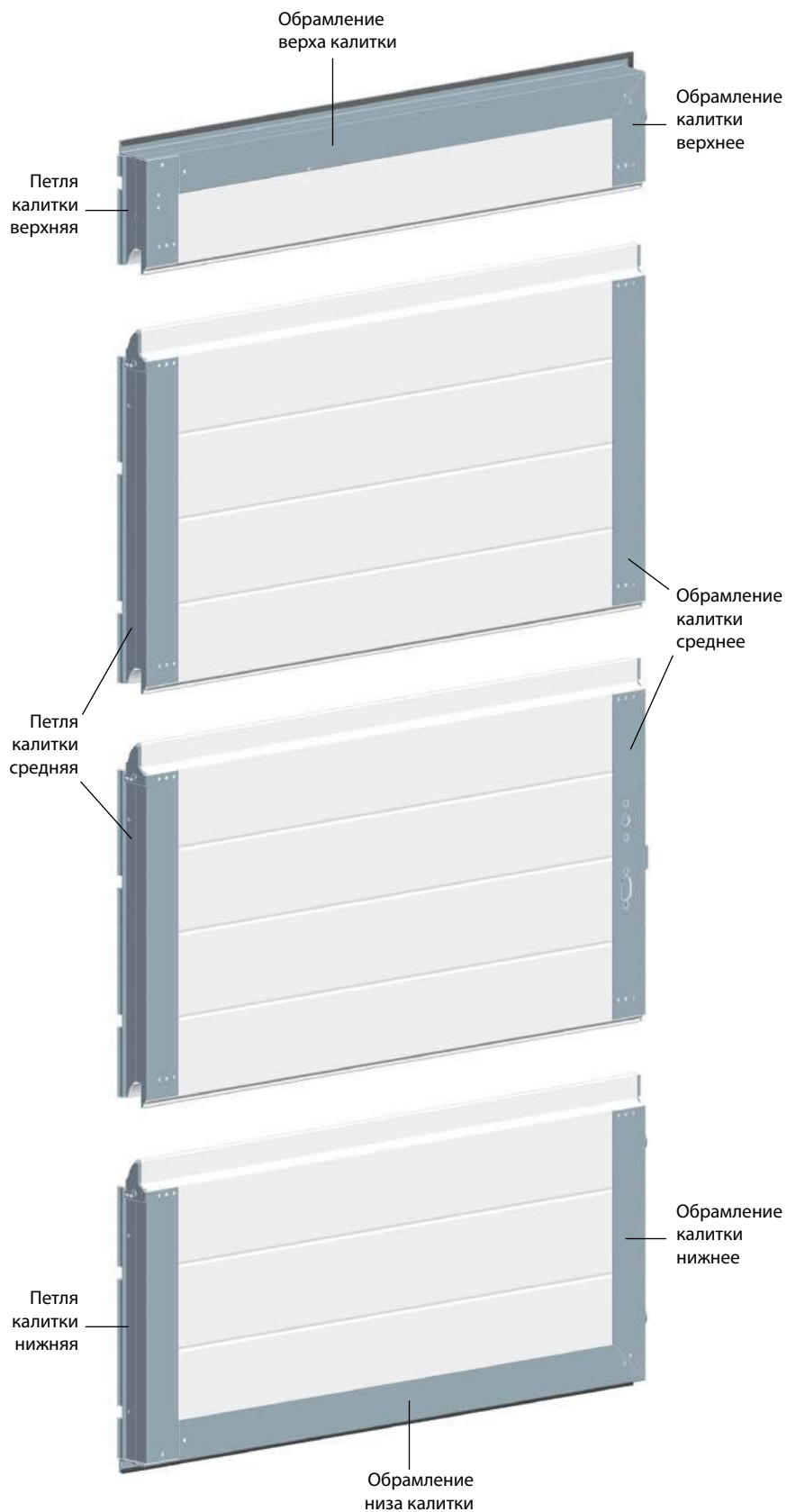
ТИПОВАЯ КОНСТРУКЦИЯ ВСТРОЕННОЙ КАЛИТКИ СО СТАНДАРТНЫМ ПОРОГОМ



1.2

ОБРАМЛЕНИЕ КАЛИТКИ

УСТАНОВКА ПРОФИЛЕЙ ОБРАМЛЕНИЯ КАЛИТКИ

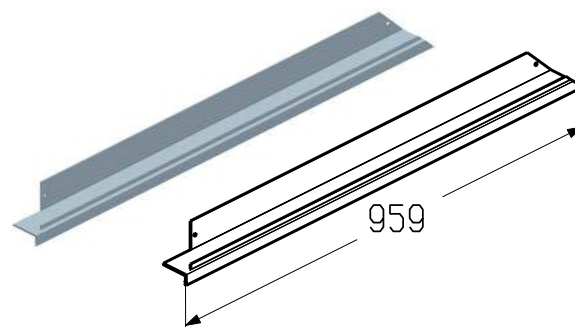


1.2

Обрамление верха калитки

Предназначено для обрамления верхней калиточной панели.
Используется в калитке с плоским, стандартным и низким порогом.

Длина, мм 959
 Материал алюминий
 Вес, кг/шт. 0,673
 Единица измерения шт.
 Норма поставки, шт. 10

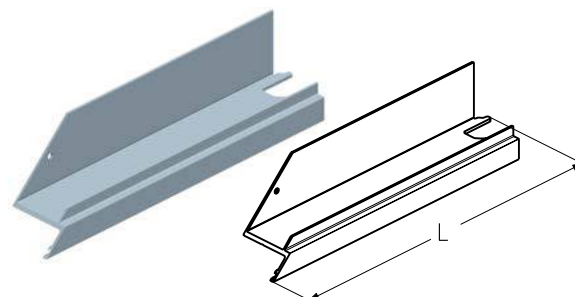


Арт.	Код	Покрытие	Цвет	Применение	Розничная цена, евро с НДС
WD-40.403R.203	404012791	Анодированное	A00-D6 (серебро)	Для ворот с правой калиткой	18,00
WD-40.403R.203	404013233	Порошковое	Близкий RAL8019		18,00
WD-40.403L.203	404012691	Анодированное	A00-D6 (серебро)	Для ворот с левой калиткой	18,00
WD-40.403L.203	404013133	Порошковое	Близкий RAL8019		18,00

Обрамление калитки верхнее

Предназначено для обрамления верхней калиточной панели.
Используется в калитке с плоским, стандартным и низким порогом.

Материал алюминий
 Единица измерения шт.
 Норма поставки, шт. 10

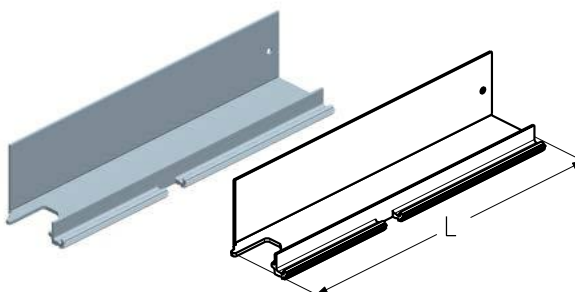


Арт.	Код	Покрытие	Цвет	Длина, мм	Вес, кг/шт.	Применение	Розничная цена, евро с НДС
WD-40.403R.202	404012391	Анодированное	A00-D6 (серебро)	191	0,115	Для ворот с правой калиткой	5,00
WD-40.403R.202	404012833	Порошковое	Близкий RAL8019	191	0,115		5,00
WD-40.404R.202	404012591	Анодированное	A00-D6 (серебро)	316	0,197		7,00
WD-40.404R.202	404013033	Порошковое	Близкий RAL8019	316	0,197		7,00
WD-40.403L.202	404012291	Анодированное	A00-D6 (серебро)	191	0,115	Для ворот с левой калиткой	5,00
WD-40.403L.202	404012733	Порошковое	Близкий RAL8019	191	0,115		5,00
WD-40.404L.202	404012491	Анодированное	A00-D6 (серебро)	316	0,197		7,00
WD-40.404L.202	404012933	Порошковое	Близкий RAL8019	316	0,197		7,00

Петля калитки верхняя

Предназначена для обрамления верхней калиточной панели.
Используется в калитке с плоским, стандартным и низким порогом.

Материал алюминий
 Единица измерения шт.
 Норма поставки, шт. 10



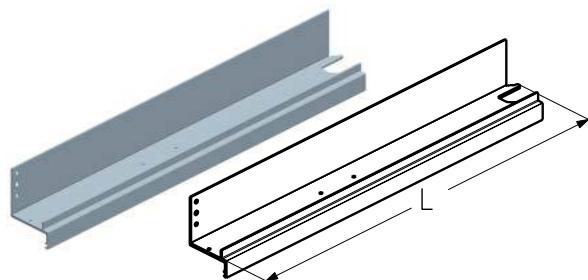
Арт.	Код	Покрытие	Цвет	Длина, мм	Вес, кг/шт.	Применение	Розничная цена, евро с НДС
WD-40.403R.201	404210591	Анодированное	A00-D6 (серебро)	169	0,123	Для ворот с правой калиткой	5,00
WD-40.403R.201	404211733	Порошковое	Близкий RAL8019	169	0,123		5,00
WD-40.404R.201	404210791	Анодированное	A00-D6 (серебро)	294	0,223		7,50
WD-40.404R.201	404211933	Порошковое	Близкий RAL8019	294	0,223		7,50
WD-40.403L.201	404210491	Анодированное	A00-D6 (серебро)	169	0,123	Для ворот с левой калиткой	5,00
WD-40.403L.201	404211633	Порошковое	Близкий RAL8019	169	0,123		5,00
WD-40.404L.201	404210691	Анодированное	A00-D6 (серебро)	294	0,223		7,50
WD-40.404L.201	404211833	Порошковое	Близкий RAL8019	294	0,223		7,50

ОБРАМЛЕНИЕ КАЛИТКИ

Обрамление калитки среднее

Предназначено для обрамления третьей калиточной панели.
Используется в калитке с плоским, стандартным и низким порогом.

Материалалюминий
Единица измеренияшт.
Норма поставки, шт.10

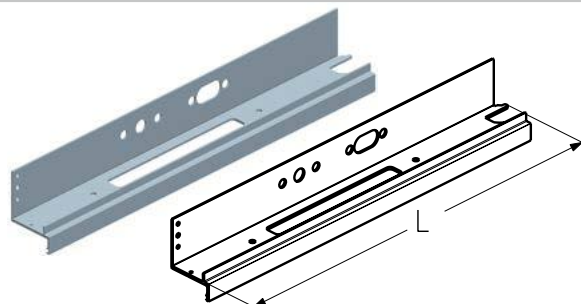


Арт.	Код	Покрытие	Цвет	Длина, мм	Вес, кг/шт.	Применение	Розничная цена, евро с НДС
WD-40.350R.202	404011991	Анодированное	A00-D6 (серебро)	479	0,352	Для ворот с правой калиткой	10,00
WD-40.350R.202	404012433	Порошковое	Бликий RAL8019	479	0,352		9,50
WD-40.360R.202	404012191	Анодированное	A00-D6 (серебро)	604	0,445		10,00
WD-40.360R.202	404012633	Порошковое	Бликий RAL8019	604	0,445		9,50
WD-40.350L.202	404011891	Анодированное	A00-D6 (серебро)	479	0,352	Для ворот с левой калиткой	10,00
WD-40.350L.202	404012333	Порошковое	Бликий RAL8019	479	0,352		9,50
WD-40.360L.202	404012191	Анодированное	A00-D6 (серебро)	604	0,445		10,00
WD-40.360L.202	404012633	Порошковое	Бликий RAL8019	604	0,445		9,50

Обрамление калитки среднее

Предназначено для обрамления второй калиточной панели.
Используется в калитке с плоским, стандартным и низким порогом.

Материалалюминий
Единица измеренияшт.
Норма поставки, шт.10

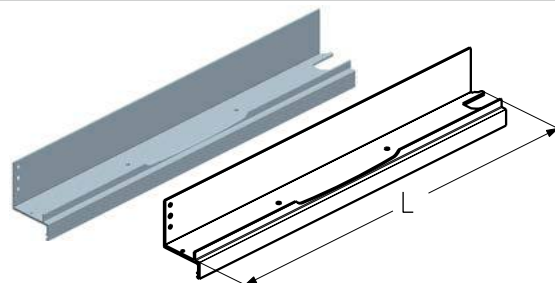


Арт.	Код	Покрытие	Цвет	Длина, мм	Вес, кг/шт.	Применение	Розничная цена, евро с НДС
WD-40.250R.202	404011191	Анодированное	A00-D6 (серебро)	479	0,323	Для ворот с правой калиткой	10,00
WD-40.250R.202	404011633	Порошковое	Бликий RAL8019	479	0,323		10,00
WD-40.260R.202	404011391	Анодированное	A00-D6 (серебро)	604	0,416		12,00
WD-40.260R.202	404011833	Порошковое	Бликий RAL8019	604	0,416		10,00
WD-40.250L.202	404011091	Анодированное	A00-D6 (серебро)	479	0,323	Для ворот с левой калиткой	10,00
WD-40.250L.202	404013333	Порошковое	Бликий RAL8019	479	0,323		10,00
WD-40.260L.202	404011291	Анодированное	A00-D6 (серебро)	604	0,416		12,00
WD-40.260L.202	404011733	Порошковое	Бликий RAL8019	604	0,416		10,00

Обрамление калитки среднее

Предназначено для обрамления второй калиточной панели.
Используется в калитке с плоским, стандартным и низким порогом с замком «анти-паник».

Материалалюминий
Единица измеренияшт.
Норма поставки, шт.10

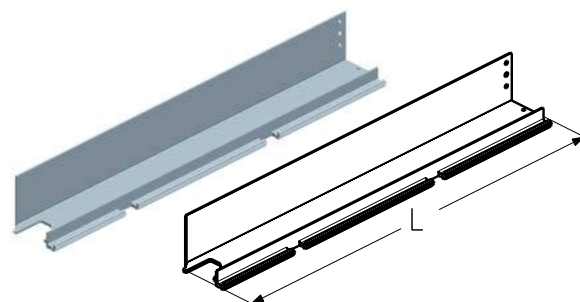


Арт.	Код	Покрытие	Цвет	Длина, мм	Вес, кг/шт.	Применение	Розничная цена, евро с НДС
WD-40.250RA.202	404011591	Анодированное	A00-D6 (серебро)	479	0,323	Для ворот с правой калиткой	10,00
WD-40.250RA.202	404012033	Порошковое	Бликий RAL8019	479	0,323		10,00
WD-40.260RA.202	404011791	Анодированное	A00-D6 (серебро)	604	0,416		10,00
WD-40.260RA.202	404012233	Порошковое	Бликий RAL8019	604	0,416		10,00
WD-40.250LA.202	404011491	Анодированное	A00-D6 (серебро)	479	0,323	Для ворот с левой калиткой	10,00
WD-40.250LA.202	404011933	Порошковое	Бликий RAL8019	479	0,323		10,00
WD-40.260LA.202	404011691	Анодированное	A00-D6 (серебро)	604	0,416		10,00
WD-40.260LA.202	404012133	Порошковое	Бликий RAL8019	604	0,416		10,00

ОБРАМЛЕНИЕ КАЛИТКИ
Петля калитки средняя

Предназначена для обрамления третьей и второй калиточной панели.
Используется в калитке с плоским, стандартным и низким порогом.

Материалалюминий
Единица измеренияшт.
Норма поставки, шт.10

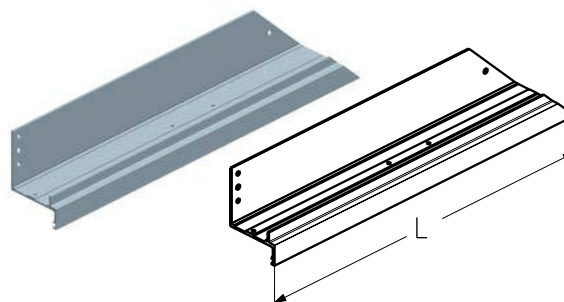


Арт.	Код	Покрытие	Цвет	Длина, мм	Вес, кг/шт.	Применение	Розничная цена, евро с НДС
WD-40.250R.201	404220391	Анодированное	A00-D6 (серебро)	479	0,386	Для ворот с правой калиткой	12,00
WD-40.250R.201	404221333	Порошковое	Близкий RAL8019	479	0,386		11,50
WD-40.260R.201	404220591	Анодированное	A00-D6 (серебро)	604	0,490		12,00
WD-40.260R.201	404221533	Порошковое	Близкий RAL8019	604	0,490		12,00
WD-40.250L.201	404220291	Анодированное	A00-D6 (серебро)	479	0,386	Для ворот с левой калиткой	12,00
WD-40.250L.201	404221233	Порошковое	Близкий RAL8019	479	0,386		12,00
WD-40.260L.201	404220491	Анодированное	A00-D6 (серебро)	604	0,490		12,00
WD-40.260L.201	404221433	Порошковое	Близкий RAL8019	604	0,490		12,00

Обрамление калитки нижнее

Предназначено для обрамления нижней калиточной панели.
Используется в калитке со стандартным порогом.

Материалалюминий
Единица измеренияшт.
Норма поставки, шт.20

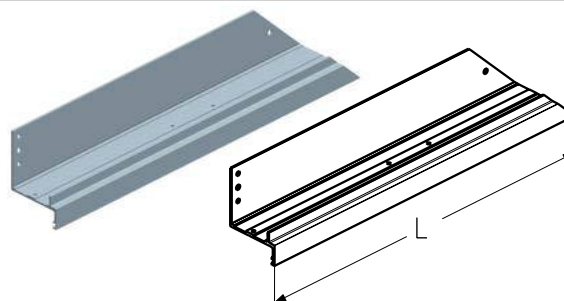


Арт.	Код	Покрытие	Цвет	Длина, мм	Вес, кг/шт.	Применение	Розничная цена, евро с НДС
WD-40.152R.202	404032591	Анодированное	A00-D6 (серебро)	377	0,258	Для ворот с правой калиткой	8,50
WD-40.152R.202	404033133	Порошковое	Близкий RAL8019	377	0,258		8,00
WD-40.162R.202	404033191	Анодированное	A00-D6 (серебро)	502	0,351		10,50
WD-40.162R.202	404033733	Порошковое	Близкий RAL8019	502	0,351		10,00
WD-40.152L.202	404032491	Анодированное	A00-D6 (серебро)	377	0,258	Для ворот с левой калиткой	8,50
WD-40.152L.202	404033033	Порошковое	Близкий RAL8019	377	0,258		8,00
WD-40.162L.202	404033091	Анодированное	A00-D6 (серебро)	502	0,351		10,50
WD-40.162L.202	404033633	Порошковое	Близкий RAL8019	502	0,351		10,00

Обрамление калитки нижнее

Предназначено для обрамления нижней калиточной панели.
Используется в калитке с низким порогом.

Материалалюминий
Единица измеренияшт.
Норма поставки, шт.20



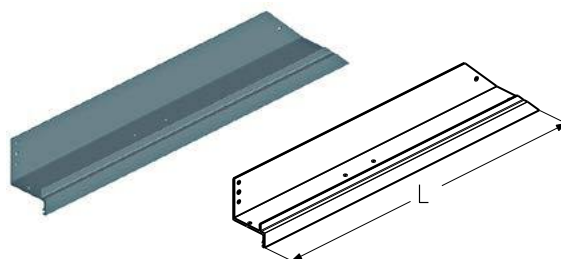
Арт.	Код	Покрытие	Цвет	Длина, мм	Вес, кг/шт.	Применение	Розничная цена, евро с НДС
WD-40.151R.202	404032391	Анодированное	A00-D6 (серебро)	422	0,291	Для ворот с правой калиткой	9,00
WD-40.151R.202	404032933	Порошковое	Близкий RAL8019	422	0,291		9,00
WD-40.161R.202	404032991	Анодированное	A00-D6 (серебро)	547	0,385		11,00
WD-40.161R.202	404033533	Порошковое	Близкий RAL8019	547	0,385		11,00
WD-40.151L.202	404032291	Анодированное	A00-D6 (серебро)	422	0,291	Для ворот с левой калиткой	9,00
WD-40.151L.202	404032833	Порошковое	Близкий RAL8019	422	0,291		9,00
WD-40.161L.202	404032891	Анодированное	A00-D6 (серебро)	547	0,385		11,00
WD-40.161L.202	404033433	Порошковое	Близкий RAL8019	547	0,385		11,00

ОБРАМЛЕНИЕ КАЛИТКИ

Обрамление калитки нижнее

Предназначено для обрамления нижней калиточной панели.
Используется в калитке с плоским порогом.

Материалалюминий
Единица измеренияшт.
Норма поставки, шт.20

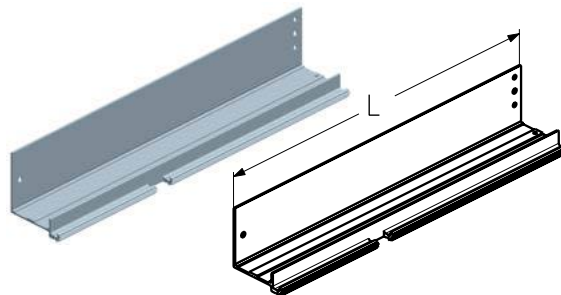


Арт.	Код	Покрытие	Цвет	Длина, мм	Вес, кг/шт.	Применение	Розничная цена, евро с НДС
WD-40.153R.202	404032791	Анодированное	A00-D6 (серебро)	478,5	0,333	Для ворот с правой калиткой	10,00
WD-40.153R.202	404033333	Порошковое	Близкий RAL8019	478,5	0,333		10,00
WD-40.163R.202	404033391	Анодированное	A00-D6 (серебро)	603,5	0,437		12,00
WD-40.163R.202	404033933	Порошковое	Близкий RAL8019	603,5	0,437		11,50
WD-40.153L.202	404032691	Анодированное	A00-D6 (серебро)	478,5	0,333	Для ворот с левой калиткой	10,00
WD-40.153L.202	404033233	Порошковое	Близкий RAL8019	478,5	0,333		10,00
WD-40.163L.202	404033291	Анодированное	A00-D6 (серебро)	603,5	0,437		12,00
WD-40.163L.202	404033833	Порошковое	Близкий RAL8019	603,5	0,437		11,50

Петля калитки нижняя

Предназначена для обрамления нижней калиточной панели.
Используется в калитке со стандартным порогом.

Материалалюминий
Единица измеренияшт.
Норма поставки, шт.20

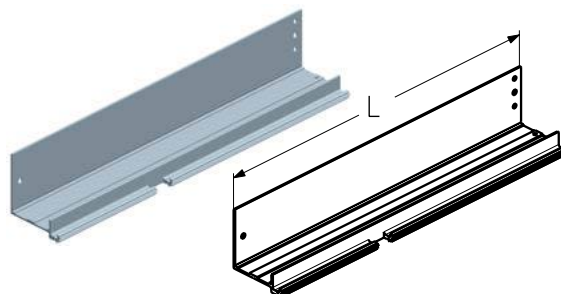


Арт.	Код	Покрытие	Цвет	Длина, мм	Вес, кг/шт.	Применение	Розничная цена, евро с НДС
WD-40.152R.201	404234091	Анодированное	A00-D6 (серебро)	355	0,290	Для ворот с правой калиткой	9,50
WD-40.152R.201	404234033	Порошковое	Близкий RAL8019	355	0,290		9,50
WD-40.162R.201	404234691	Анодированное	A00-D6 (серебро)	480	0,392		12,00
WD-40.162R.201	404234633	Порошковое	Близкий RAL8019	480	0,392		12,00
WD-40.152L.201	404233991	Анодированное	A00-D6 (серебро)	355	0,290	Для ворот с левой калиткой	9,50
WD-40.152L.201	404233933	Порошковое	Близкий RAL8019	355	0,290		9,50
WD-40.162L.201	404234591	Анодированное	A00-D6 (серебро)	480	0,392		12,00
WD-40.162L.201	404234533	Порошковое	Близкий RAL8019	480	0,392		12,00

Петля калитки нижняя

Предназначена для обрамления нижней калиточной панели.
Используется в калитке с низким порогом.

Материалалюминий
Единица измеренияшт.
Норма поставки, шт.20

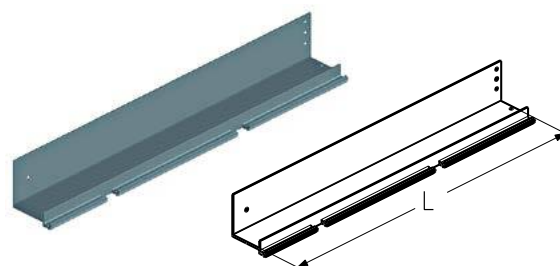


Арт.	Код	Покрытие	Цвет	Длина, мм	Вес, кг/шт.	Применение	Розничная цена, евро с НДС
WD-40.151R.201	404233891	Анодированное	A00-D6 (серебро)	400	0,325	Для ворот с правой калиткой	10,50
WD-40.151R.201	404233833	Порошковое	Близкий RAL8019	400	0,325		10,50
WD-40.161R.201	404234491	Анодированное	A00-D6 (серебро)	525	0,430		13,00
WD-40.161R.201	404234443	Порошковое	Близкий RAL8019	525	0,430		13,00
WD-40.151L.201	404233791	Анодированное	A00-D6 (серебро)	400	0,325	Для ворот с левой калиткой	10,50
WD-40.151L.201	404233733	Порошковое	Близкий RAL8019	400	0,325		10,50
WD-40.161L.201	404234391	Анодированное	A00-D6 (серебро)	525	0,430		13,00
WD-40.161L.201	404234333	Порошковое	Близкий RAL8019	525	0,430		13,00

ОБРАМЛЕНИЕ КАЛИТКИ
Петля калитки нижняя

Предназначено для обрамления нижней калиточной панели.
Используется в калитке с плоским порогом.

Материалалюминий
 Единица измеренияшт.
 Норма поставки, шт.20

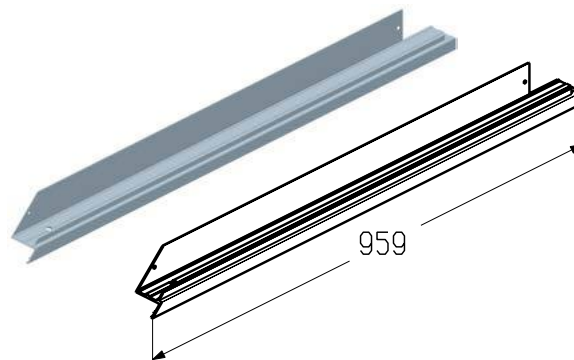


Арт.	Код	Покрытие	Цвет	Длина, мм	Вес, кг/шт.	Применение	Розничная цена, евро с НДС
WD-40.153R.201	404234291	Анодированное	A00-D6 (серебро)	456,5	0,371	Для ворот с правой калиткой	12,00
WD-40.153R.201	404234233	Порошковое	Близкий RAL8019	456,5	0,371		12,00
WD-40.163R.201	404234891	Анодированное	A00-D6 (серебро)	581,5	0,479		14,00
WD-40.163R.201	404234833	Порошковое	Близкий RAL8019	581,5	0,479		14,00
WD-40.153L.201	404234191	Анодированное	A00-D6 (серебро)	456,5	0,371	Для ворот с левой калиткой	12,00
WD-40.153L.201	404234133	Порошковое	Близкий RAL8019	456,5	0,371		12,00
WD-40.163L.201	404234791	Анодированное	A00-D6 (серебро)	581,5	0,479		14,00
WD-40.163L.201	404234733	Порошковое	Близкий RAL8019	581,5	0,479		14,00

Обрамление низа калитки

Предназначено для обрамления нижней калиточной панели.
Используется в калитке со стандартным и низким порогом.

Длина, мм 959
 Вес, кг/м0,673
 Материалалюминий
 Единица измеренияшт.
 Норма поставки, шт.20

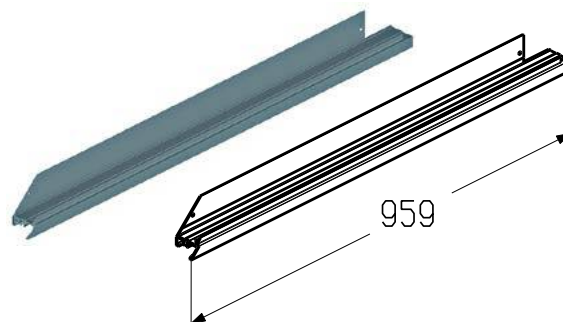


Арт.	Код	Покрытие	Цвет	Применение	Розничная цена, евро с НДС
WD-40.151R.203	404033591	Анодированное	A00-D6 (серебро)	Для ворот с правой калиткой	17,00
WD-40.151R.203	404034133	Порошковое	Близкий RAL8019		16,50
WD-40.151L.203	404033491	Анодированное	A00-D6 (серебро)	Для ворот с левой калиткой	17,00
WD-40.151L.203	404034033	Порошковое	Близкий RAL8019		16,50

Обрамление низа калитки

Предназначено для обрамления нижней калиточной панели.
Используется в калитке с плоским порогом.

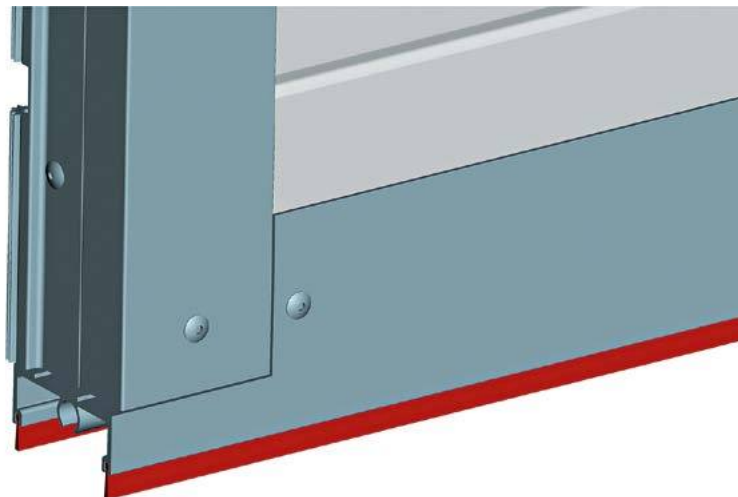
Длина, мм 959
 Вес, кг/м0,899
 Материалалюминий
 Единица измеренияшт.
 Норма поставки, шт.20



Арт.	Код	Покрытие	Цвет	Применение	Розничная цена, евро с НДС
WD-40.153R.203	404033791	Анодированное	A00-D6 (серебро)	Для ворот с правой калиткой	22,00
WD-40.153R.203	404034333	Порошковое	Близкий RAL8019		21,00
WD-40.153L.203	404033691	Анодированное	A00-D6 (серебро)	Для ворот с левой калиткой	22,00
WD-40.153L.203	404034233	Порошковое	Близкий RAL8019		21,00

ОБРАМЛЕНИЕ КАЛИТКИ

УСТАНОВКА ВСТАВКИ-ЩЕТКИ

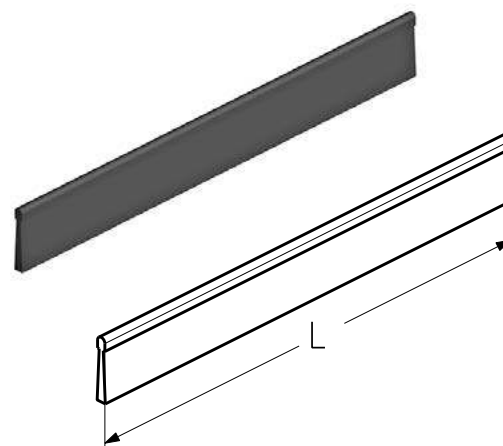


Вставка-щетка

Предназначена для герметизации нижней части проема калитки.
Используется в калитки с плоским порогом.

Вес, кг/шт.0,023
Единица измеренияМ
Норма поставки, м 300

Арт.	Код	Розничная цена, евро с НДС
BS11	404407000	15,00



УСТАНОВКА ЗАГЛУШКИ



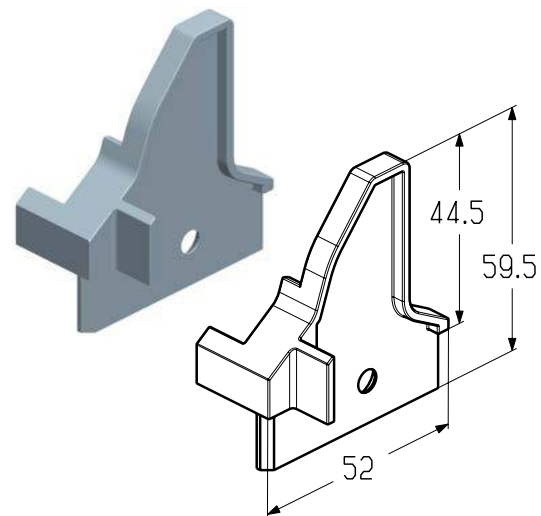
1.2

Заглушка

Устанавливается совместно с обрамлением калитки нижней и промежуточных панелей.
Используется в калитке с плоским, стандартным и низким порогом.

МатериалРА
Вес, кг/шт.0,01
Единица измеренияшт.
Норма поставки, шт.600

Арт.	Код	Цвет	Применение	Розничная цена, евро с НДС
WD-40.22R-GR	401715100	Серый	Для ворот с правой калиткой	0,75
WD-40.22R-BR	401715200	Коричневый		0,75
WD-40.22L-GR	401715300	Серый	Для ворот с левой калиткой	0,75
WD-40.22L-BR	401715400	Коричневый		0,75

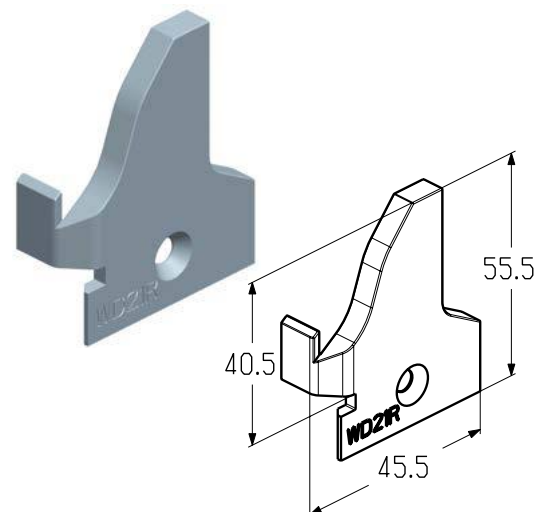


Заглушка

Устанавливается совместно с петлей калитки нижней и промежуточных панелей.
Используется в калитке с плоским, стандартным и низким порогом.

МатериалРА
Вес, кг/шт.0,007
Единица измеренияшт.
Норма поставки, шт.1000

Арт.	Код	Цвет	Применение	Розничная цена, евро с НДС
WD-40.21R-GR	401714700	Серый	Для ворот с правой калиткой	0,60
WD-40.21R-BR	401714800	Коричневый		0,60
WD-40.21L-GR	401714900	Серый	Для ворот с левой калиткой	0,60
WD-40.21L-BR	401715000	Коричневый		0,60



ОБРАМЛЕНИЕ КАЛИТКИ

УСТАНОВКА ЛОВИТЕЛЯ



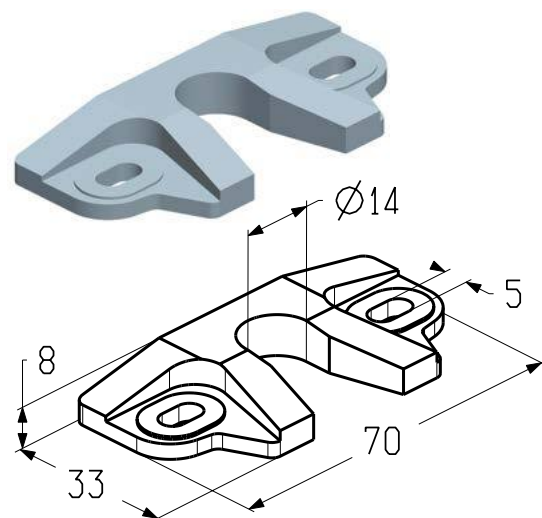
1.2

Ловитель

Устанавливается на обрамление калитки первой и третьей панелей.
Используется в калитке с плоским, стандартным и низким порогом.

МатериалРА
Вес, кг/шт.....0,006
Единица измеренияшт.
Норма поставки, шт.80

Арт.	Код	Розничная цена, евро с НДС
WD2011	401730100	0,70

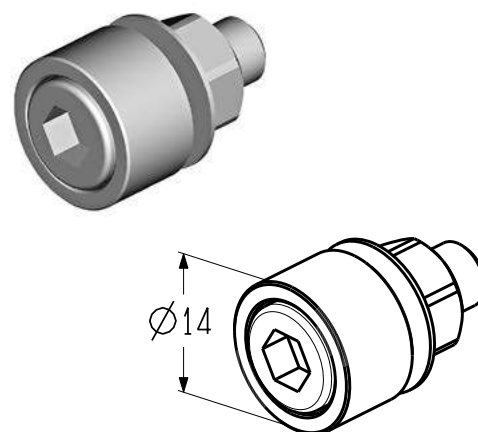


Комплект опоры ловителя

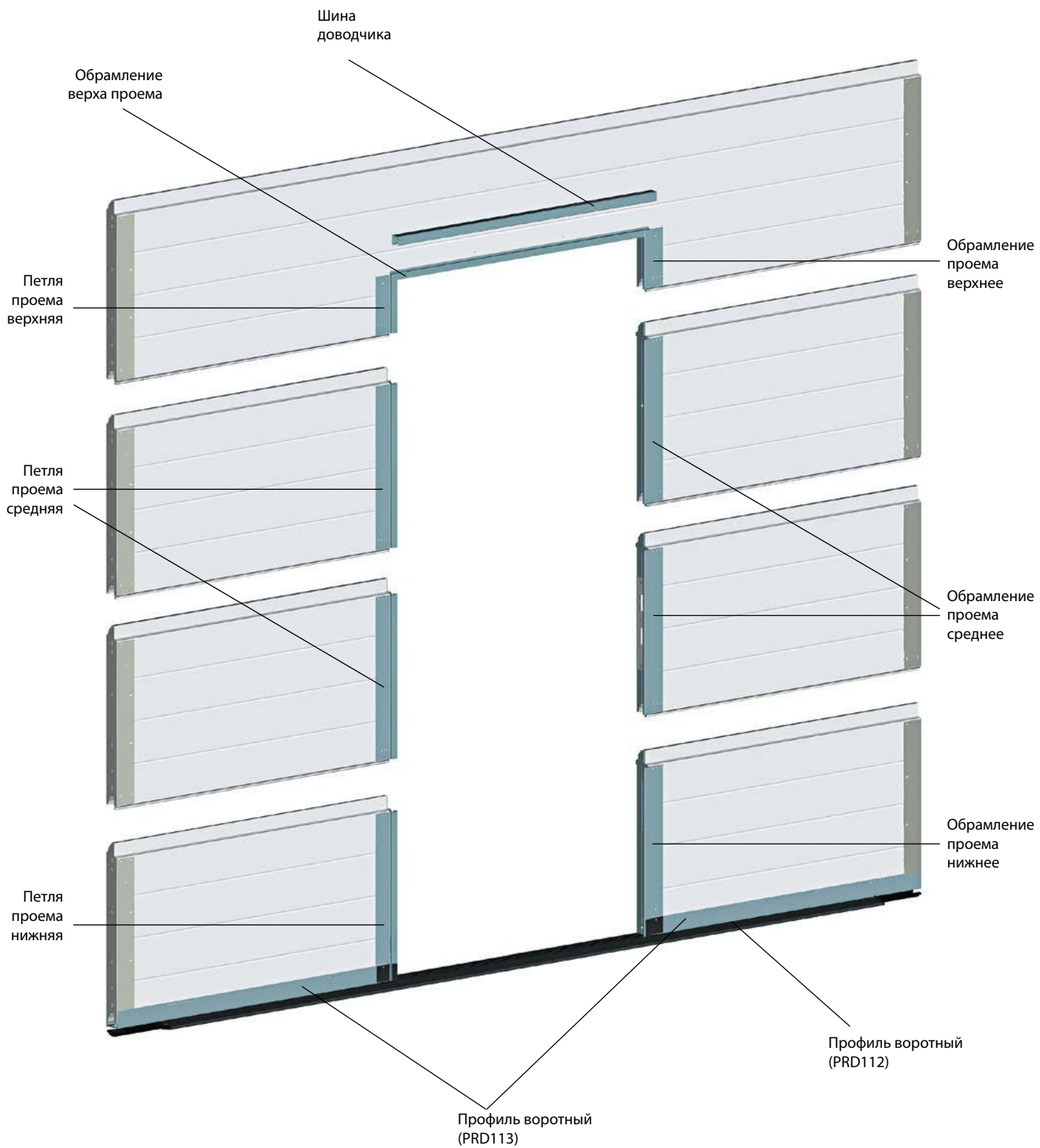
Применяется совместно с ловителем (WD2011).
Устанавливается на обрамление проема первой и третьей панелей.
Используется в калитке с плоским, стандартным и низким порогом.

Материал нержавеющая сталь
Вес, кг/шт.....0,01
Единица измеренияшт.
Норма поставки, шт.1000

Арт.	Код	Розничная цена, евро с НДС
WD2031	401730200	2,80



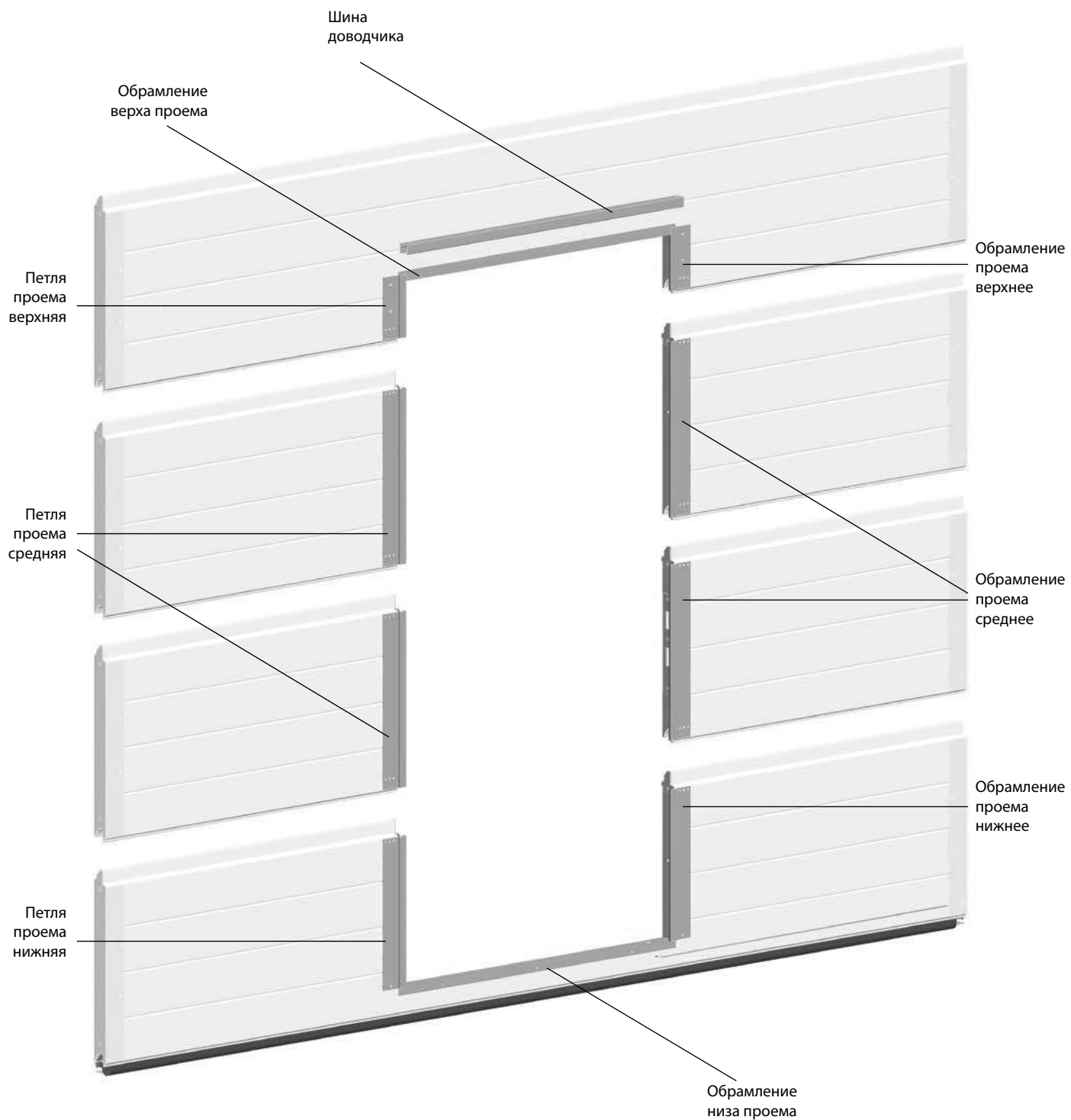
КАЛИТКА С ПЛОСКИМ ПОРОГОМ



1.2

УСТАНОВКА ПРОФИЛЕЙ ОБРАМЛЕНИЯ ПРОЕМА

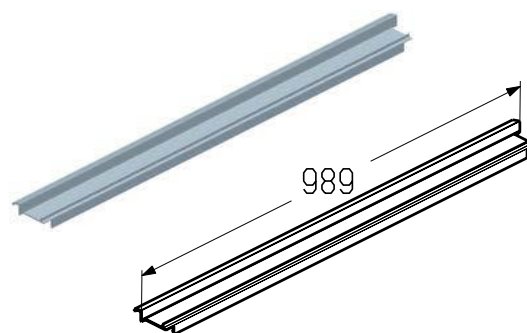
КАЛИТКА С НИЗКИМ И СТАНДАРТНЫМ ПОРОГОМ



Обрамление верха проема

Предназначено для обрамления проема верхней панели.
Используется в калитке с плоским, стандартным и низким порогом.

Длина, мм 989
 Материал алюминий
 Вес, кг/шт. 0,627
 Единица измерения шт.
 Норма поставки, шт. 10

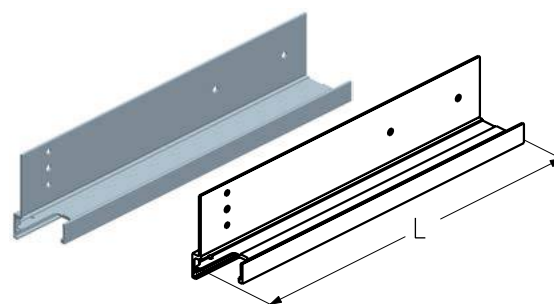


Арт.	Код	Покрытие	Цвет	Применение	Розничная цена, евро с НДС
WD-40.403R.103	404111191	Анодированное	A00-D6 (серебро)	Для ворот с правой калиткой	14,50
WD-40.403R.103	404111633	Порошковое	Близкий RAL8019		13,50
WD-40.403L.103	404111091	Анодированное	A00-D6 (серебро)	Для ворот с левой калиткой	14,50
WD-40.403L.103	404111533	Порошковое	Близкий RAL8019		13,50

Обрамление проема верхнее

Предназначено для обрамления проема верхней панели.
Используется в калитке с плоским, стандартным и низким порогом.

Материал алюминий
 Единица измерения шт.
 Норма поставки, шт. 10

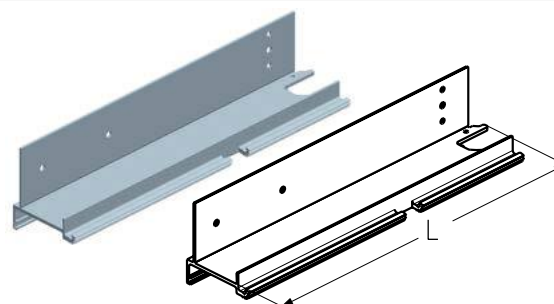


Арт.	Код	Покрытие	Цвет	Длина, мм	Вес, кг/шт.	Применение	Розничная цена, евро с НДС
WD-40.403R.302	404111391	Анодированное	A00-D6 (серебро)	182	0,123	Для ворот с правой калиткой	3,10
WD-40.403R.302	404111833	Порошковое	Близкий RAL8019	182	0,123		3,00
WD-40.404R.302	404111591	Анодированное	A00-D6 (серебро)	308	0,214		6,50
WD-40.404R.302	404112033	Порошковое	Близкий RAL8019	308	0,214		6,50
WD-40.403L.302	404111291	Анодированное	A00-D6 (серебро)	182	0,123	Для ворот с левой калиткой	3,10
WD-40.403L.302	404111733	Порошковое	Близкий RAL8019	182	0,123		3,00
WD-40.404L.302	404111491	Анодированное	A00-D6 (серебро)	308	0,214		6,50
WD-40.404L.302	404111933	Порошковое	Близкий RAL8019	308	0,214		6,50

Петля проема верхняя

Предназначена для обрамления проема верхней панели.
Используется в калитке с плоским, стандартным и низким порогом.

Материал алюминий
 Единица измерения шт.
 Норма поставки, шт. 10



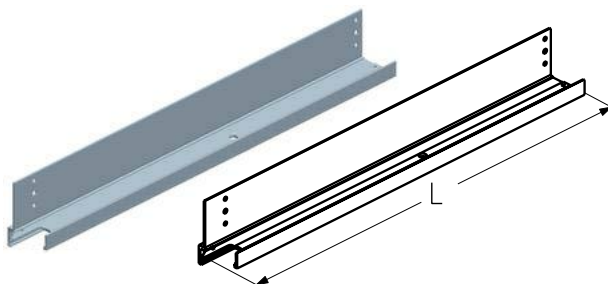
Арт.	Код	Покрытие	Цвет	Длина, мм	Вес, кг/шт.	Применение	Розничная цена, евро с НДС
WD-40.403R.101	404210991	Анодированное	A00-D6 (серебро)	182	0,161	Для ворот с правой калиткой	5,00
WD-40.403R.101	404212133	Порошковое	Близкий RAL8019	182	0,161		5,00
WD-40.404R.101	404211191	Анодированное	A00-D6 (серебро)	308	0,279		8,00
WD-40.404R.101	404212333	Порошковое	Близкий RAL8019	308	0,279		7,50
WD-40.403L.101	404210891	Анодированное	A00-D6 (серебро)	182	0,161	Для ворот с левой калиткой	5,00
WD-40.403L.101	404212033	Порошковое	Близкий RAL8019	182	0,161		5,00
WD-40.404L.101	404211091	Анодированное	A00-D6 (серебро)	308	0,279		8,00
WD-40.404L.101	404212233	Порошковое	Близкий RAL8019	308	0,279		7,50

ОБРАМЛЕНИЕ ПРОЕМА

Обрамление проема среднее

Предназначено для обрамления проема третьей панели.
Используется в калитке с плоским, стандартным и низким порогом.

Материалалюминий
Единица измеренияшт.
Норма поставки, шт.10

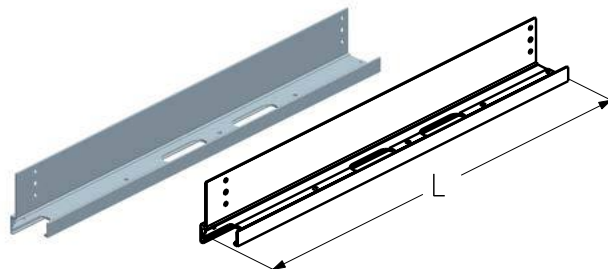


Арт.	Код	Покрытие	Цвет	Длина, мм	Вес, кг/шт.	Применение	Розничная цена, евро с НДС
WD-40.350R.302	404123791	Анодированное	A00-D6 (серебро)	479	0,350	Для ворот с правой калиткой	9,50
WD-40.350R.302	404124333	Порошковое	Близкий RAL8019	479	0,350		9,00
WD-40.360R.302	404123991	Анодированное	A00-D6 (серебро)	604	0,443		11,50
WD-40.360R.302	404124533	Порошковое	Близкий RAL8019	604	0,443		11,00
WD-40.350L.302	404123691	Анодированное	A00-D6 (серебро)	479	0,350	Для ворот с левой калиткой	9,50
WD-40.350L.302	404124233	Порошковое	Близкий RAL8019	479	0,350		9,00
WD-40.360L.302	404123891	Анодированное	A00-D6 (серебро)	604	0,443		11,50
WD-40.360L.302	404124433	Порошковое	Близкий RAL8019	604	0,443		11,00

Обрамление проема среднее

Предназначено для обрамления проема второй панели.
Используется в калитке с плоским, стандартным и низким порогом.

Материалалюминий
Единица измеренияшт.
Норма поставки, шт.10

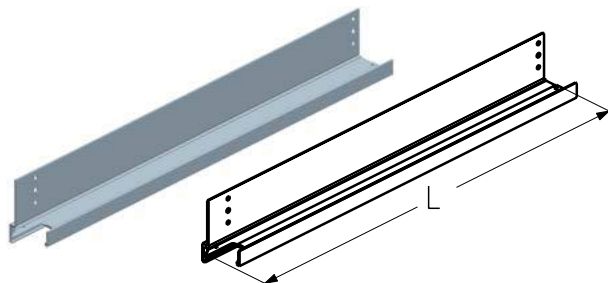


Арт.	Код	Покрытие	Цвет	Длина, мм	Вес, кг/шт.	Применение	Розничная цена, евро с НДС
WD-40.250R.302	404122991	Анодированное	A00-D6 (серебро)	479	0,337	Для ворот с правой калиткой	9,50
WD-40.250R.302	404123633	Порошковое	Близкий RAL8019	479	0,337		9,50
WD-40.260R.302	404123191	Анодированное	A00-D6 (серебро)	604	0,430		12,00
WD-40.260R.302	404124033	Порошковое	Близкий RAL8019	604	0,430		11,50
WD-40.250L.302	404122891	Анодированное	A00-D6 (серебро)	479	0,337	Для ворот с левой калиткой	9,50
WD-40.250L.302	404123433	Порошковое	Близкий RAL8019	479	0,337		9,50
WD-40.260L.302	404123091	Анодированное	A00-D6 (серебро)	604	0,430		12,00
WD-40.260L.302	404123833	Порошковое	Близкий RAL8019	604	0,430		11,50

Обрамление проема среднее

Предназначено для обрамления проема второй панели.
Используется в калитке с плоским, стандартным и низким порогом с замком «анти-паник».

Материалалюминий
Единица измеренияшт.
Норма поставки, шт.10

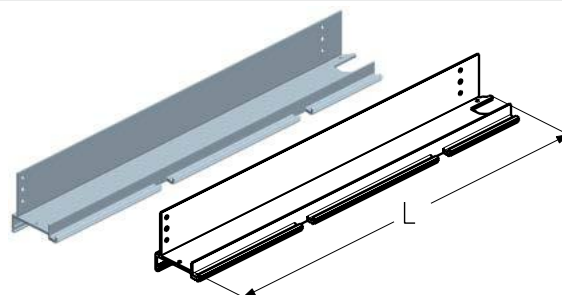


Арт.	Код	Покрытие	Цвет	Длина, мм	Вес, кг/шт.	Применение	Розничная цена, евро с НДС
WD-40.250RA.302	404123391	Анодированное	A00-D6 (серебро)	479	0,337	Для ворот с правой калиткой	9,50
WD-40.250RA.302	404123733	Порошковое	Близкий RAL8019	479	0,337		9,50
WD-40.260RA.302	404123591	Анодированное	A00-D6 (серебро)	604	0,430		12,00
WD-40.260RA.302	404124133	Порошковое	Близкий RAL8019	604	0,430		11,50
WD-40.250LA.302	404123291	Анодированное	A00-D6 (серебро)	479	0,337	Для ворот с левой калиткой	9,50
WD-40.250LA.302	404123533	Порошковое	Близкий RAL8019	479	0,337		9,50
WD-40.260LA.302	404123491	Анодированное	A00-D6 (серебро)	604	0,430		12,00
WD-40.260LA.302	404123933	Порошковое	Близкий RAL8019	604	0,430		11,50

ОБРАМЛЕНИЕ ПРОЕМА
Петля проема средняя

Предназначена для обрамления проема третьей и второй панелей.
Используется в калитке с плоским, стандартным и низким порогом.

Материалалюминий
 Единица измеренияшт.
 Норма поставки, шт.10

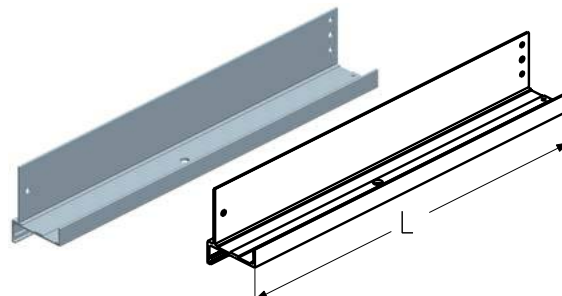


Арт.	Код	Покрытие	Цвет	Длина, мм	Вес, кг/шт.	Применение	Розничная цена, евро с НДС
WD-40.250R.101	404220791	Анодированное	A00-D6 (серебро)	479	0,456	Для ворот с правой калиткой	13,00
WD-40.250R.101	404221733	Порошковое	Близкий RAL8019	479	0,456		12,50
WD-40.260R.101	404220991	Анодированное	A00-D6 (серебро)	604	0,476		15,50
WD-40.260R.101	404221933	Порошковое	Близкий RAL8019	604	0,476		15,00
WD-40.250L.101	404220691	Анодированное	A00-D6 (серебро)	479	0,456	Для ворот с левой калиткой	13,00
WD-40.250L.101	404221633	Порошковое	Близкий RAL8019	479	0,456		12,50
WD-40.260L.101	404220891	Анодированное	A00-D6 (серебро)	604	0,476		15,50
WD-40.260L.101	404221833	Порошковое	Близкий RAL8019	604	0,476		15,00

Обрамление проема нижнее

Предназначено для обрамления проема нижней панели.
Используется в калитке со стандартным порогом.

Материалалюминий
 Единица измеренияшт.
 Норма поставки, шт.20

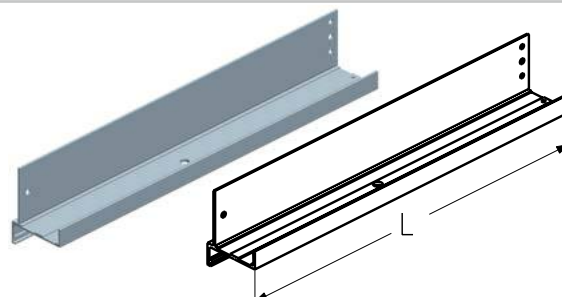


Арт.	Код	Покрытие	Цвет	Длина, мм	Вес, кг/шт.	Применение	Розничная цена, евро с НДС
WD-40.152R.302	404132491	Анодированное	A00-D6 (серебро)	366	0,350	Для ворот с правой калиткой	7,50
WD-40.152R.302	404133233	Порошковое	Близкий RAL8019	366	0,350		7,50
WD-40.162R.302	404133091	Анодированное	A00-D6 (серебро)	491	0,409		9,50
WD-40.162R.302	404133833	Порошковое	Близкий RAL8019	491	0,409		9,50
WD-40.152L.302	404132391	Анодированное	A00-D6 (серебро)	366	0,350	Для ворот с левой калиткой	7,50
WD-40.152L.302	404133133	Порошковое	Близкий RAL8019	366	0,350		7,50
WD-40.162L.302	404132991	Анодированное	A00-D6 (серебро)	491	0,409		9,50
WD-40.162L.302	404133733	Порошковое	Близкий RAL8019	491	0,409		9,50

Обрамление проема нижнее

Предназначено для обрамления проема нижней панели.
Используется в калитке с низким порогом.

Материалалюминий
 Единица измеренияшт.
 Норма поставки, шт.20



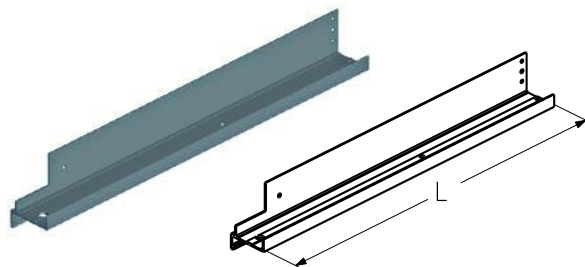
Арт.	Код	Покрытие	Цвет	Длина, мм	Вес, кг/шт.	Применение	Розничная цена, евро с НДС
WD-40.151R.302	404132291	Анодированное	A00-D6 (серебро)	411	0,343	Для ворот с правой калиткой	8,50
WD-40.151R.302	404133033	Порошковое	Близкий RAL8019	411	0,343		8,00
WD-40.161R.302	404132891	Анодированное	A00-D6 (серебро)	536	0,446		10,50
WD-40.161R.302	404133633	Порошковое	Близкий RAL8019	536	0,446		10,00
WD-40.151L.302	404132191	Анодированное	A00-D6 (серебро)	411	0,343	Для ворот с левой калиткой	8,50
WD-40.151L.302	404132933	Порошковое	Близкий RAL8019	411	0,343		8,00
WD-40.161L.302	404132791	Анодированное	A00-D6 (серебро)	536	0,446		10,50
WD-40.161L.302	404133533	Порошковое	Близкий RAL8019	536	0,446		10,00

ОБРАМЛЕНИЕ ПРОЕМА

Обрамление проема нижнее

Предназначено для обрамления проема нижней панели.
Используется в калитке с плоским порогом.

Материалалюминий
Единица измеренияшт.
Норма поставки, шт.20

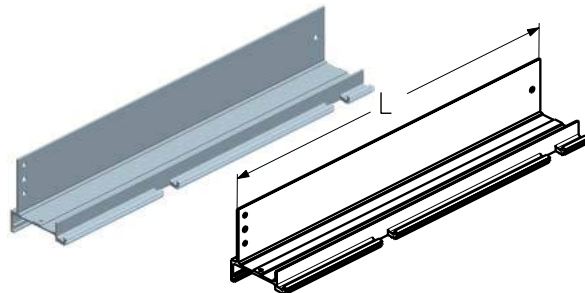


Арт.	Код	Покрытие	Цвет	Длина, мм	Вес, кг/шт.	Применение	Розничная цена, евро с НДС
WD-40.153R.302	404132691	Анодированное	A00-D6 (серебро)	483	0,350	Для ворот с правой калиткой	9,50
WD-40.153R.302	404133433	Порошковое	Бликий RAL8019	483	0,350		9,00
WD-40.163R.302	404133291	Анодированное	A00-D6 (серебро)	608	0,453		11,50
WD-40.163R.302	404134033	Порошковое	Бликий RAL8019	608	0,453		11,00
WD-40.153L.302	404132591	Анодированное	A00-D6 (серебро)	483	0,350	Для ворот с левой калиткой	9,50
WD-40.153L.302	404133333	Порошковое	Бликий RAL8019	483	0,350		9,00
WD-40.163L.302	404133191	Анодированное	A00-D6 (серебро)	608	0,453		11,50
WD-40.163L.302	404133933	Порошковое	Бликий RAL8019	608	0,453		11,00

Петля проема нижняя

Предназначено для обрамления проема нижней панели.
Используется в калитке со стандартным порогом.

Материалалюминий
Единица измеренияшт.
Норма поставки, шт.20

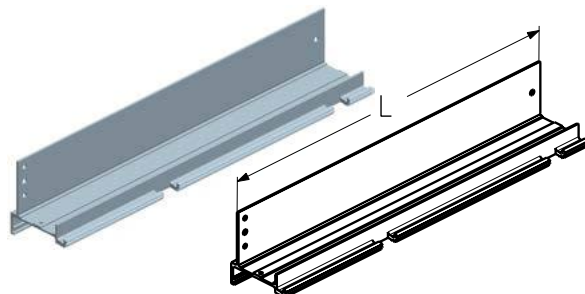


Арт.	Код	Покрытие	Цвет	Длина, мм	Вес, кг/шт.	Применение	Розничная цена, евро с НДС
WD-40.152R.101	404235291	Анодированное	A00-D6 (серебро)	366	0,355	Для ворот с правой калиткой	9,00
WD-40.152R.101	404235233	Порошковое	Бликий RAL8019	366	0,355		8,50
WD-40.162R.101	404235891	Анодированное	A00-D6 (серебро)	491	0,477		11,50
WD-40.162R.101	404235833	Порошковое	Бликий RAL8019	491	0,477		11,00
WD-40.152L.101	404235191	Анодированное	A00-D6 (серебро)	366	0,355	Для ворот с левой калиткой	9,00
WD-40.152L.101	404235133	Порошковое	Бликий RAL8019	366	0,355		8,50
WD-40.162L.101	404235791	Анодированное	A00-D6 (серебро)	491	0,477		11,50
WD-40.162L.101	404235733	Порошковое	Бликий RAL8019	491	0,477		11,00

Петля проема нижняя

Предназначено для обрамления проема нижней панели.
Используется в калитке с низким порогом.

Материалалюминий
Единица измеренияшт.
Норма поставки, шт.20

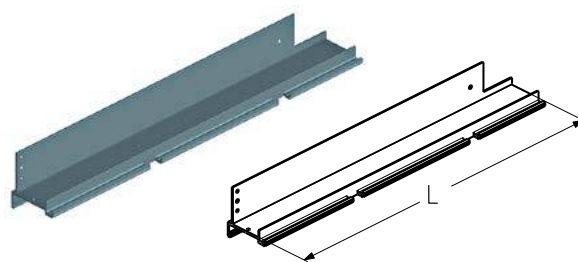


Арт.	Код	Покрытие	Цвет	Длина, мм	Вес, кг/шт.	Применение	Розничная цена, евро с НДС
WD-40.151R.101	404235091	Анодированное	A00-D6 (серебро)	411	0,399	Для ворот с правой калиткой	9,50
WD-40.151R.101	404235033	Порошковое	Бликий RAL8019	411	0,399		9,50
WD-40.161R.101	404235691	Анодированное	A00-D6 (серебро)	536	0,521		12,50
WD-40.161R.101	404235633	Порошковое	Бликий RAL8019	536	0,521		12,00
WD-40.151L.101	404234991	Анодированное	A00-D6 (серебро)	411	0,399	Для ворот с левой калиткой	9,50
WD-40.151L.101	404234933	Порошковое	Бликий RAL8019	411	0,399		9,50
WD-40.161L.101	404235591	Анодированное	A00-D6 (серебро)	536	0,521		12,50
WD-40.161L.101	404235533	Порошковое	Бликий RAL8019	536	0,521		12,00

ОБРАМЛЕНИЕ ПРОЕМА
Петля проема нижняя

Предназначено для обрамления проема нижней панели.
Используется в калитке с плоским порогом.

Материалалюминий
 Единица измеренияшт.
 Норма поставки, шт.20

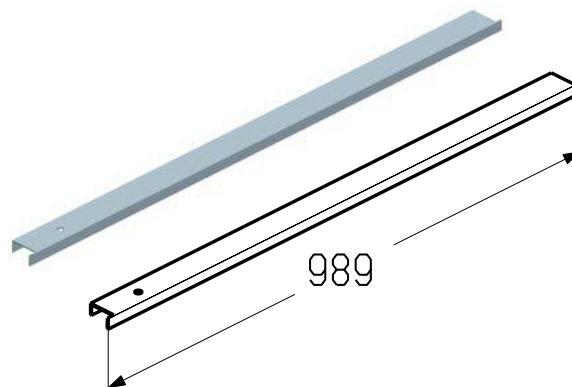


Арт.	Код	Покрытие	Цвет	Длина, мм	Вес, кг/шт.	Применение	Розничная цена, евро с НДС
WD-40.153R.101	404235491	Анодированное	A00-D6 (серебро)	483	0,458	Для ворот с правой калиткой	11,50
WD-40.153R.101	404235433	Порошковое	Бликий RAL8019	483	0,458		11,00
WD-40.163R.101	404236091	Анодированное	A00-D6 (серебро)	608	0,591		14,00
WD-40.163R.101	404236033	Порошковое	Бликий RAL8019	608	0,591		13,50
WD-40.153L.101	404235391	Анодированное	A00-D6 (серебро)	483	0,458	Для ворот с левой калиткой	11,50
WD-40.153L.101	404235333	Порошковое	Бликий RAL8019	483	0,458		11,00
WD-40.163L.101	404235991	Анодированное	A00-D6 (серебро)	608	0,591		14,00
WD-40.163L.101	404235933	Порошковое	Бликий RAL8019	608	0,591		13,50

Порог

Предназначен для установки совместно с профилями усиливающими (PRG-12, PRG-13).
Используется в калитке со стандартным и низким порогом.

Длина, мм989
 Материалалюминий
 Вес, кг/шт.0,416
 Единица измеренияшт.
 Норма поставки, шт.10

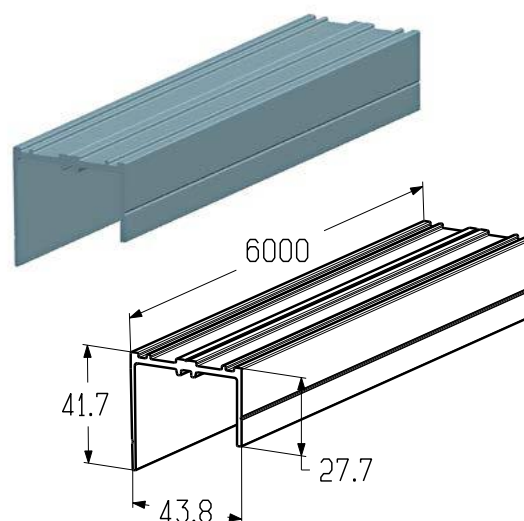


Арт.	Код	Покрытие	Цвет	Применение	Розничная цена, евро с НДС
WD-40.151R.103	404133491	Анодированное	A00-D6 (серебро)	Для ворот с правой калиткой	10,50
WD-40.151R.103	404134233	Порошковое	Бликий RAL8019		10,00
WD-40.151L.103	404133391	Анодированное	A00-D6 (серебро)	Для ворот с левой калиткой	10,50
WD-40.151L.103	404134133	Порошковое	Бликий RAL8019		10,00

Профиль воротный

Предназначен для обрамления нижней панели.
Используется в калитке с плоским порогом.

Длина, мм6000
 Вес, кг/шт.0,61
 Материалалюминий
 Единица измерениям
 Норма поставки, м24



Арт.	Код	Покрытие	Цвет	Розничная цена, евро с НДС
PRD113	404370791	Анодированное	A00-D6 (серебро)	12,00
PRD113	404370733	Порошковое	Бликий RAL8019	11,34

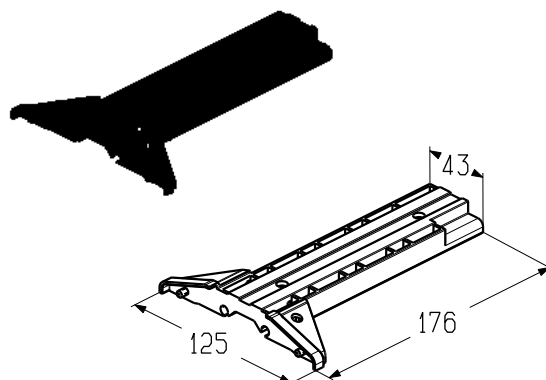
ОБРАМЛЕНИЕ ПРОЕМА

Вставка концевая

Устанавливается совместно с нижним профилем (PRD112).
Используется в калитке с плоским порогом.

МатериалРА
Цвет..... Черный
Вес, кг/шт.....0,065
Единица измеренияшт.
Норма поставки, шт.....60

Арт.	Код	Применение	Розничная цена, евро с НДС
WD-40.2033R	401715900	Правая	3,10
WD-40.2033L	401716000	Левая	3,10



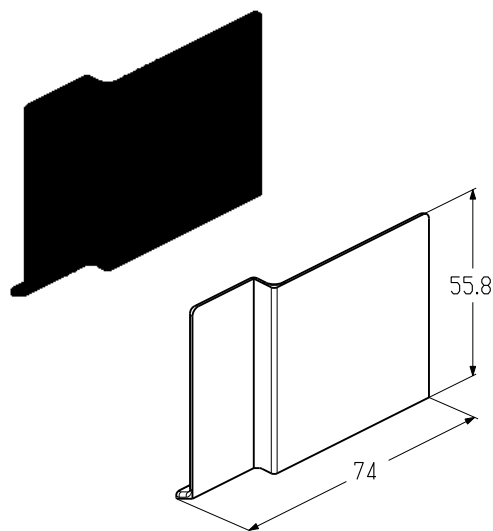
Заглушка калиточная

Заглушка калиточная

Устанавливается совместно с нижним профилем (PRD112 и PRD113).
Используется в калитке с плоским порогом.

МатериалABS
Вес, кг/шт.....0,009
Единица измеренияшт.
Норма поставки, шт..... 500

Арт.	Код	Применение	Розничная цена, евро с НДС
WD2034R-BK	401713700	Правая	0,65
WD2034L-BK	401713600	Левая	0,65

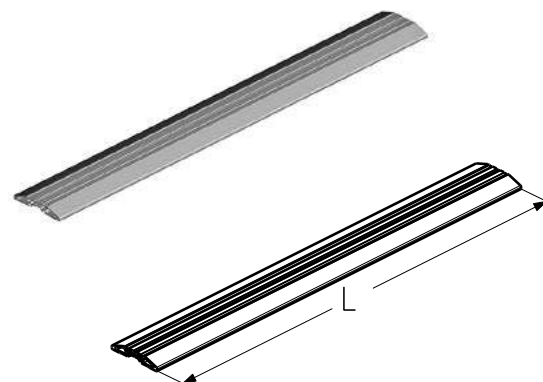


Профиль воротный

Предназначен для установки в нижнюю панель.
Выполняет функцию порога калитки.
Используется в калитке с плоским порогом.

Материалалюминий
Длина (L), мм6000
Вес, кг/м..... 2,38
Единица измерениям
Норма поставки, м12

Арт.	Код	Покрытие	Цвет	Розничная цена, евро с НДС
PRD112	404370130	Порошковое	близкий RAL9005	38,21

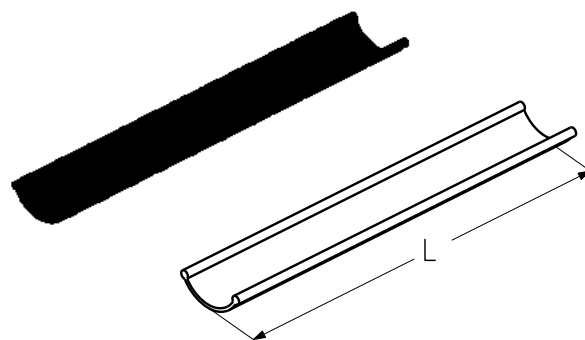


Вставка уплотнительная

Предназначена для герметизации нижней части проема.
Устанавливается в профиль воротный (PRD112).
Используется в калитке с плоским порогом.

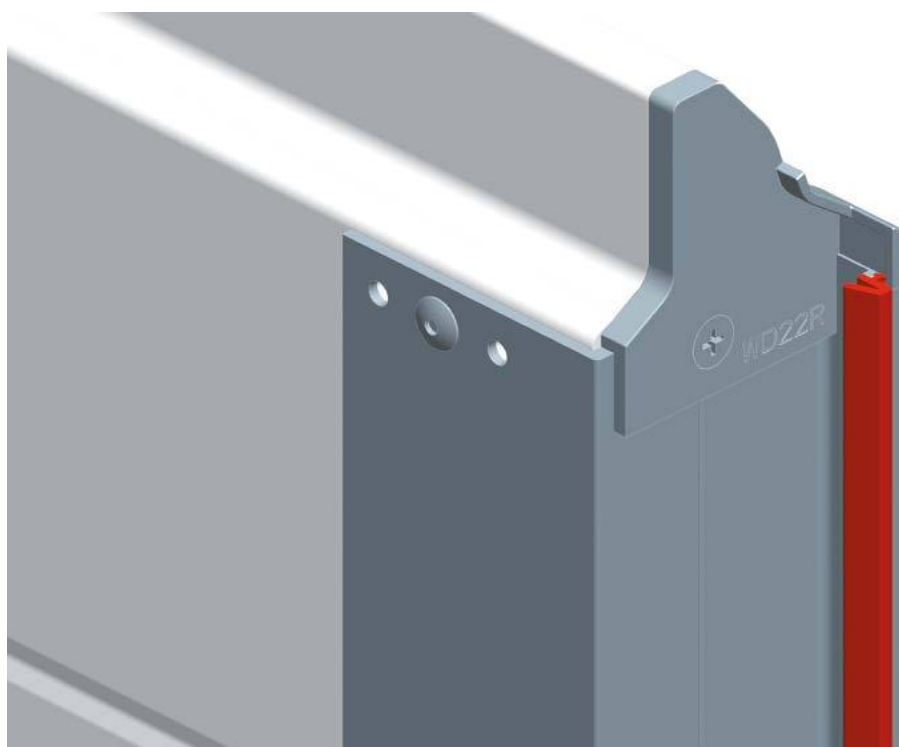
Материал EPDM
Вес, кг/м 0,101
Единица измерения М
Норма поставки, м 125

Арт.	Код	Розничная цена, евро с НДС
RSB11	401510900	2,60



1.2

УСТАНОВКА ВСТАВКИ УПЛОТНИТЕЛЬНОЙ

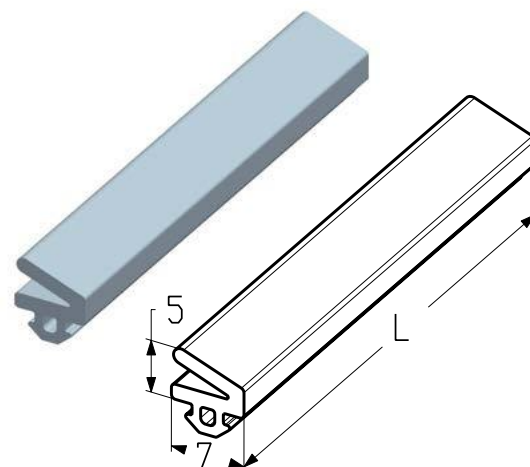


Вставка уплотнительная

Предназначена для герметизации проема калитки.
Устанавливается в обрамление проема и обрамление калитки.
Используется в калитке с плоским, стандартным и низким порогом.

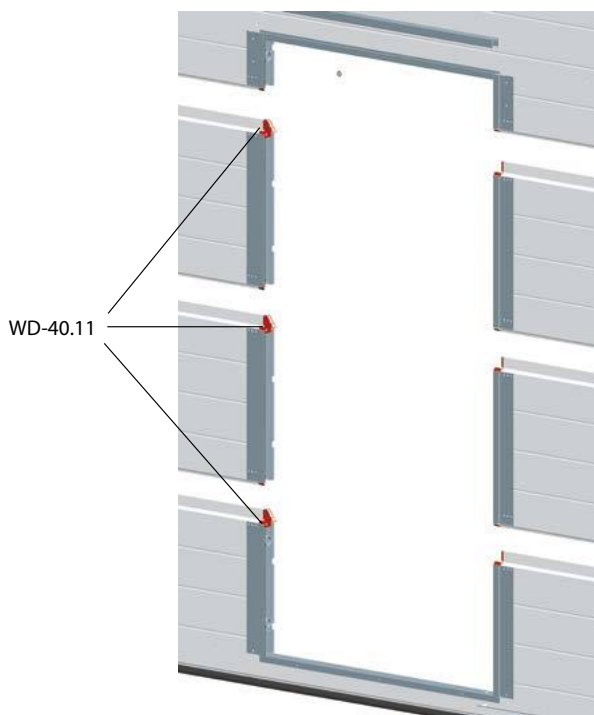
Материал EPDM
Вес, кг/м 0,23
Единица измерения М
Норма поставки, м 475

Арт.	Код	Розничная цена, евро с НДС
RSW06	401560100	0,65

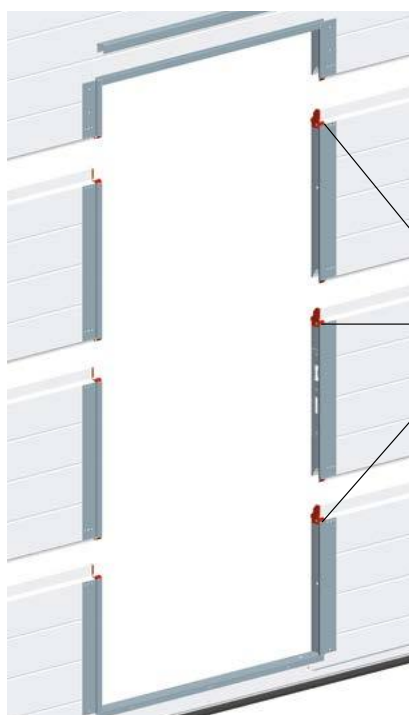


ОБРАМЛЕНИЕ ПРОЕМА

УСТАНОВКА ЗАГЛУШКИ



WD-40.11



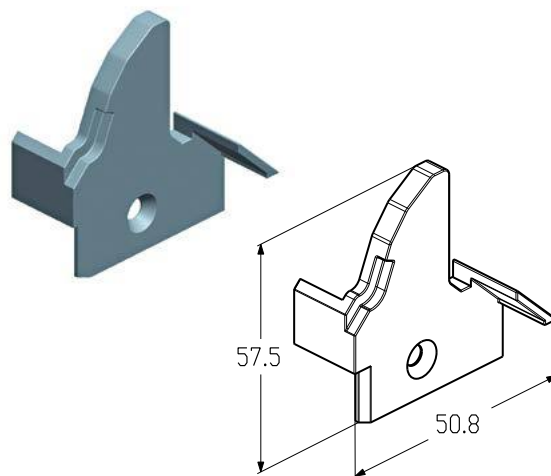
WD-40.32

Заглушка

Устанавливается совместно с обрамлением проема нижней и промежуточных панелей.
Используется в калитке с плоским, стандартным и низким порогом.

МатериалРА
Вес, кг/шт.0,008
Единица измеренияшт.
Норма поставки, шт.600

Арт.	Код	Цвет	Применение	Розничная цена, евро с НДС
WD-40.32R-GR	401715500	Серый	Для ворот с правой калиткой	0,75
WD-40.32R-BR	401715600	Коричневый		0,75
WD-40.32L-GR	401715700	Серый	Для ворот с левой калиткой	0,75
WD-40.32L-BR	401715800	Коричневый		0,75

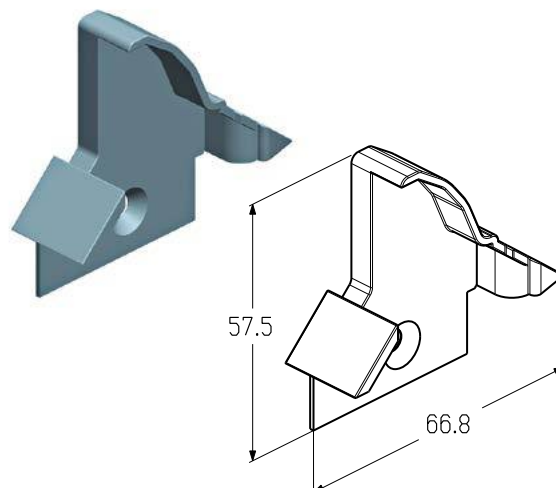


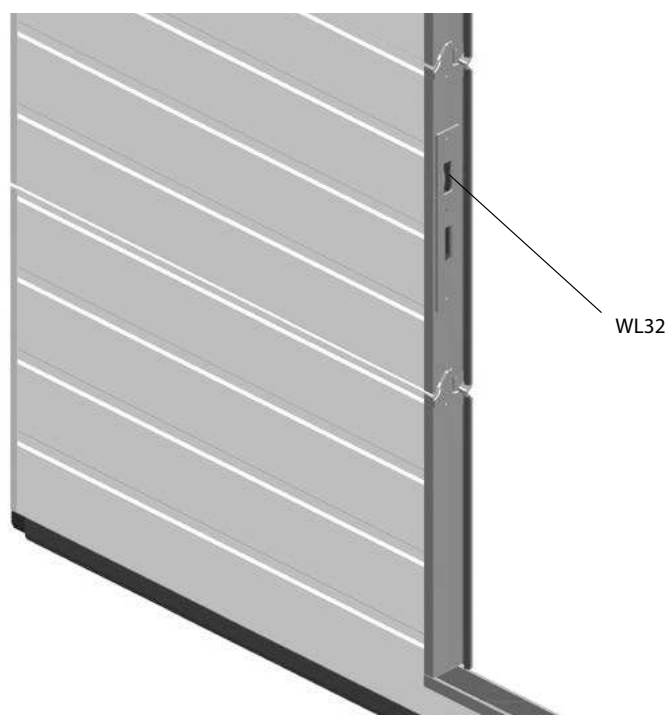
Заглушка

Устанавливается совместно с петлей проема нижней и промежуточных панелей.
Используется в калитке с плоским, стандартным и низким порогом.

МатериалРА
Вес, кг/шт.0,01
Единица измеренияшт.
Норма поставки, шт.400

Арт.	Код	Цвет	Применение	Розничная цена, евро с НДС
WD-40.11R-GR	401714300	Серый	Для ворот с правой калиткой	0,85
WD-40.11R-BR	401714400	Коричневый		0,85
WD-40.11L-GR	401714500	Серый	Для ворот с левой калиткой	0,85
WD-40.11L-BR	401714600	Коричневый		0,85



УСТАНОВКА ЗАГЛУШКИ


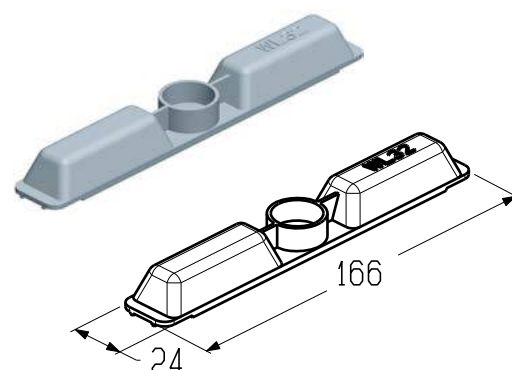
1.2

Заглушка

Предназначена для установки совместно с обрамлением проема второй панели. Используется в калитке с плоским, стандартным и низким порогом.

Материал.....РА
 Цвет.....черный
 Вес, кг/шт.....0,017
 Единица измеренияшт.
 Норма поставки, шт.....300

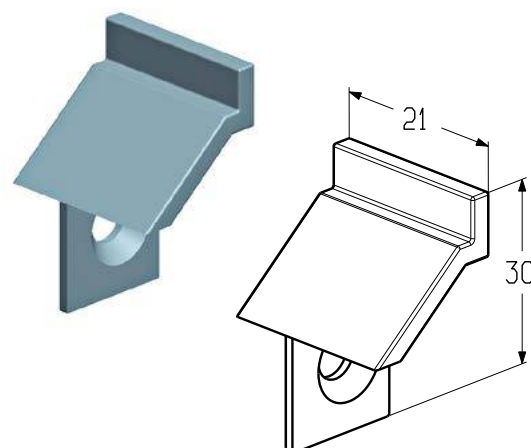
Арт.	Код	Розничная цена, евро с НДС
WL32	404410800	2,00


Заглушка нижняя

Устанавливается совместно с обрамлением и петлей проема верхней и промежуточных панелей. Используется в калитке с плоским, стандартным и низким порогом.

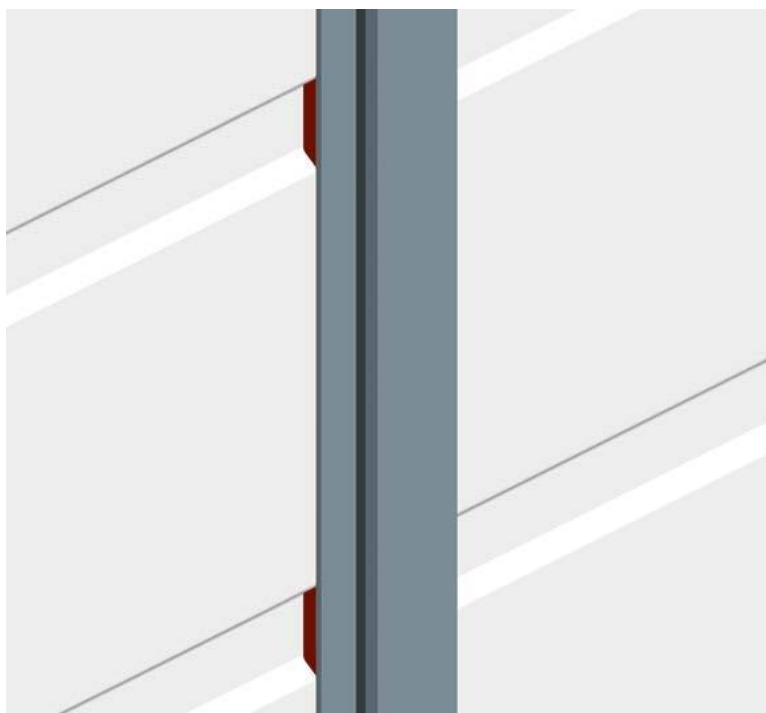
Материал.....РА
 Вес, кг/шт.....0,002
 Единица измеренияшт.
 Норма поставки, шт.....3600

Арт.	Код	Цвет	Розничная цена, евро с НДС
WD-40.01R-GR	401713900	Серый	0,35
WD-40.01R-BR	401714000	Коричневый	0,35
WD-40.01L-GR	401714100	Серый	0,35
WD-40.01L-BR	401714200	Коричневый	0,35



ОБРАМЛЕНИЕ ПРОЕМА

УСТАНОВКА ЗАГЛУШКИ КАЛИТОЧНОЙ

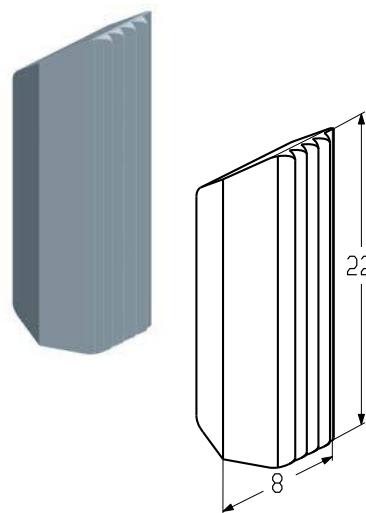


Заглушка калиточная

Предназначена для установки совместно с обрамлением проема и обрамлением калитки. Устанавливается под обрамление в каждый зиг панелей с рисунком «S-гофр».
Используется в калитке с плоским, стандартным и низким порогом.

Материал полиуретан
Вес, кг/шт. 0,001
Единица измерения шт.
Норма поставки, шт. 18000

Арт.	Код	Розничная цена, евро с НДС
WD2028	401713100	0,25



УСТАНОВКА СКОБЫ И КРОНШТЕЙНА

Скоба WD-40.2013

Кронштейн WD2014

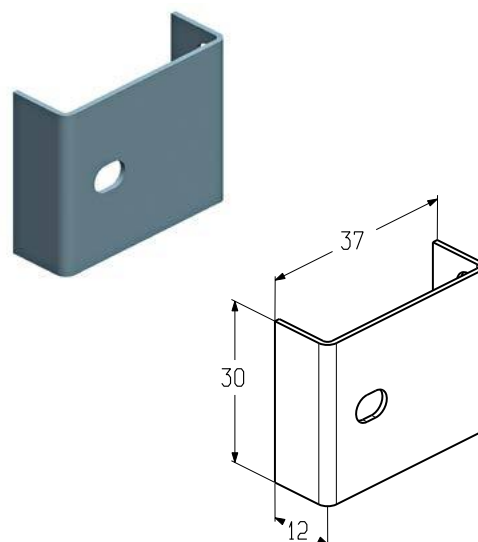


Скоба

Предназначена для усиления петли проема и петли калитки по всей высоте встроенной калитки.
Используется в калитке с плоским, стандартным и низким порогом.

Материал.....оцинкованная сталь
Вес, кг/шт.....0,013
Единица измеренияшт.
Норма поставки, шт.....750

Арт.	Код	Розничная цена, евро с НДС
WD-40.2013	401750400	0,30

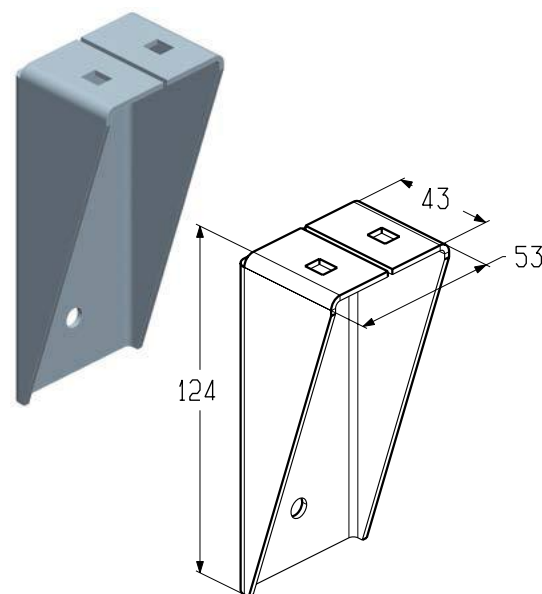


Кронштейн

Предназначен для усиления верхней калиточной панели.
Устанавливается совместно с профилем усиливающим (PRG16, PRG17).
Используется в калитке с плоским, стандартным и низким порогом.

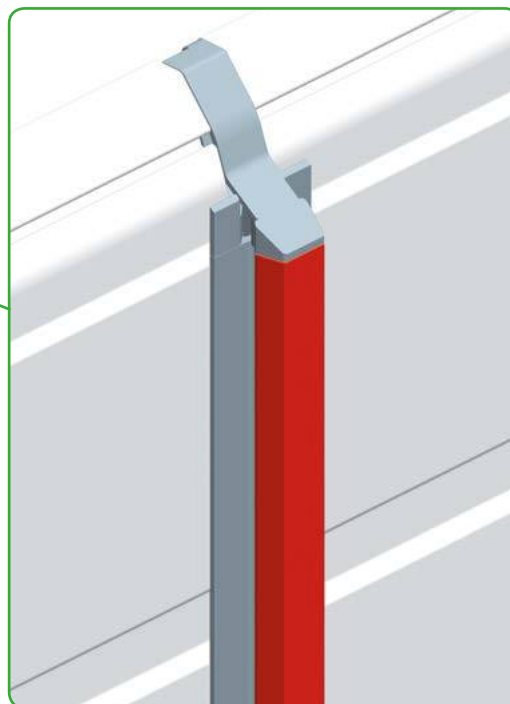
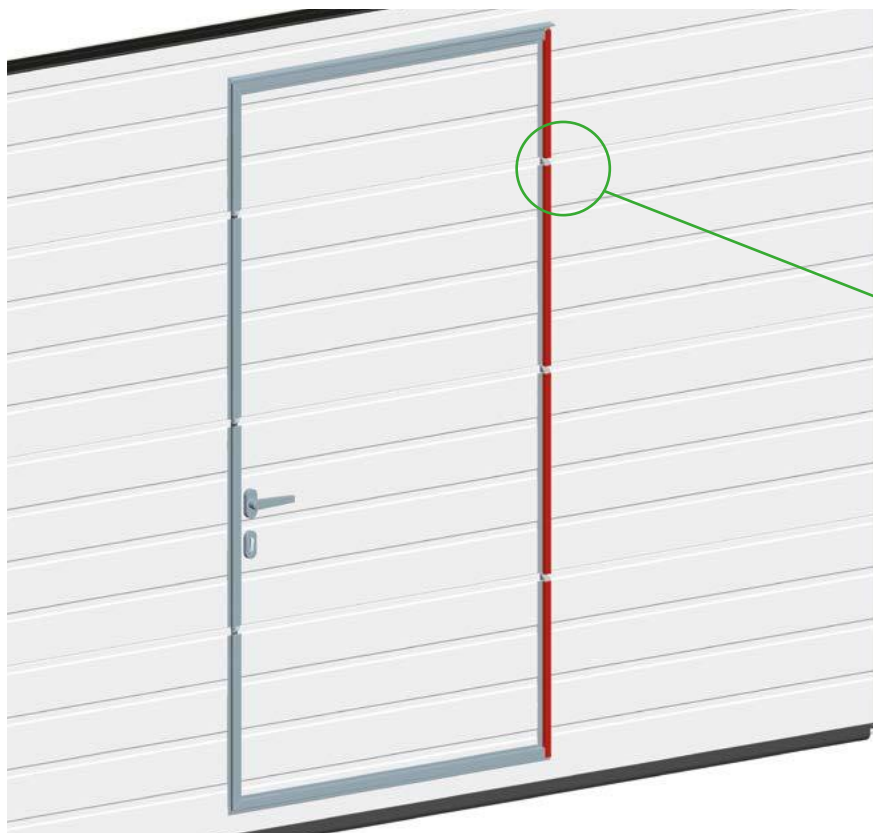
Материал.....оцинкованная сталь
Покрытие.....полимерное
Цвет.....бело-серый (близкий RAL9002)
Вес, кг/шт.....0,21
Единица измеренияшт.
Норма поставки, шт.....40

Арт.	Код	Розничная цена, евро с НДС
WD2014	401750200	5,70



ПЕТЛЯ КАЛИТКИ

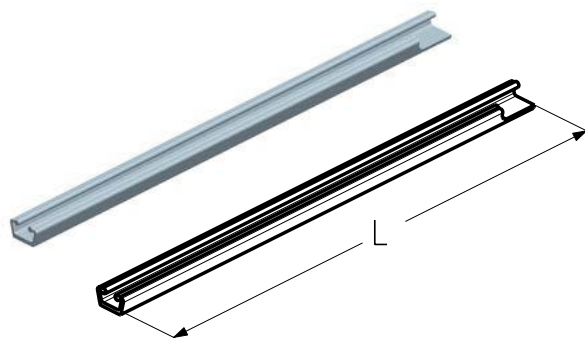
УСТАНОВКА ЭЛЕМЕНТА ПЕТЛИ



Элемент верхней петли

Предназначен для соединения петли калитки и петли проема верхней панели.
Используется в калитке с плоским, стандартным и низким порогом.

Материал.....алюминий
Единица измеренияшт.
Норма поставки, шт.10

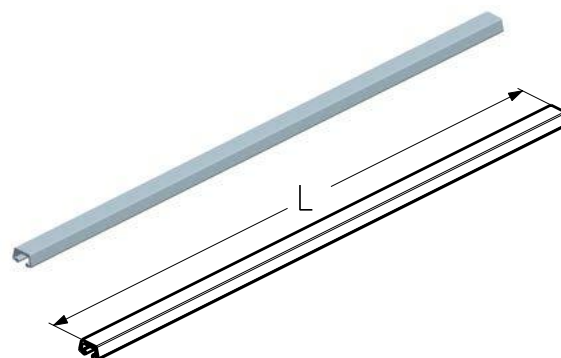


Арт.	Код	Покрытие	Цвет	Длина, мм	Вес, кг/шт.	Применение	Розничная цена, евро с НДС
WD-40.403R.001	404211391	Анодированное	A00-D6 (серебро)	183	0,038	Для ворот с правой калиткой	1,60
WD-40.403R.001	404212533	Порошковое	Бликий RAL8019	183	0,038		1,50
WD-40.404R.001	404211591	Анодированное	A00-D6 (серебро)	308	0,066		2,50
WD-40.404R.001	404212733	Порошковое	Бликий RAL8019	308	0,066		2,20
WD-40.403L.001	404211291	Анодированное	A00-D6 (серебро)	183	0,038	Для ворот с левой калиткой	1,60
WD-40.403L.001	404212433	Порошковое	Бликий RAL8019	183	0,038		1,50
WD-40.404L.001	404211491	Анодированное	A00-D6 (серебро)	308	0,066		2,50
WD-40.404L.001	404212633	Порошковое	Бликий RAL8019	308	0,066		2,20

ПЕТЛЯ КАЛИТКИ
Элемент средней петли

Предназначен для соединения петли калитки и петли проема промежуточных панелей.
Используется в калитке с плоским, стандартным и низким порогом.

Материалалюминий
Единица измеренияшт.
Норма поставки, шт.10

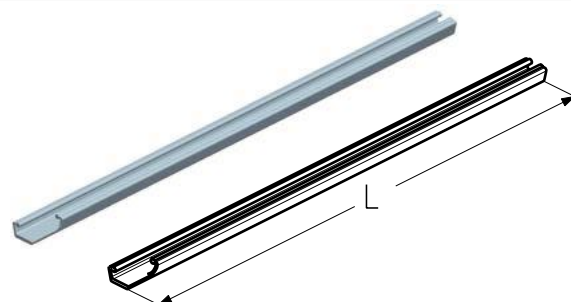


Арт.	Код	Покрытие	Цвет	Длина, мм	Вес, кг/шт.	Применение	Розничная цена, евро с НДС
WD-40.250R.001	404124091	Анодированное	A00-D6 (серебро)	481	0,111	Для ворот с правой и левой калитки	3,50
WD-40.250R.001	404124633	Порошковое	Близкий RAL8019	481	0,111		3,00
WD-40.260R.001	404124191	Анодированное	A00-D6 (серебро)	606	0,131		3,80
WD-40.260R.001	404124733	Порошковое	Близкий RAL8019	606	0,131		3,70

Элемент нижней петли

Предназначен для соединения петли калитки и петли проема нижней панели.
Используется в калитке со стандартным порогом.

Материалалюминий
Единица измеренияшт.
Норма поставки, шт.10

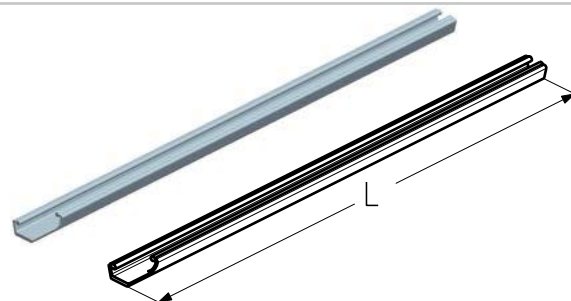


Арт.	Код	Покрытие	Цвет	Длина, мм	Вес, кг/шт.	Применение	Розничная цена, евро с НДС
WD-40.152R.001	404236491	Анодированное	A00-D6 (серебро)	377	0,085	Для ворот с правой калиткой	2,80
WD-40.152R.001	404236433	Порошковое	Близкий RAL8019	377	0,085		2,60
WD-40.162R.001	404237091	Анодированное	A00-D6 (серебро)	502	0,114		3,40
WD-40.162R.001	404237033	Порошковое	Близкий RAL8019	502	0,114		3,30
WD-40.152L.001	404236391	Анодированное	A00-D6 (серебро)	377	0,085	Для ворот с левой калиткой	2,60
WD-40.152L.001	404236333	Порошковое	Близкий RAL8019	377	0,085		2,60
WD-40.162L.001	404236991	Анодированное	A00-D6 (серебро)	502	0,114		3,40
WD-40.162L.001	404236933	Порошковое	Близкий RAL8019	502	0,114		3,30

Элемент нижней петли

Предназначен для соединения петли калитки и петли проема нижней панели.
Используется в калитке с низким порогом.

Материалалюминий
Единица измеренияшт.
Норма поставки, шт.10



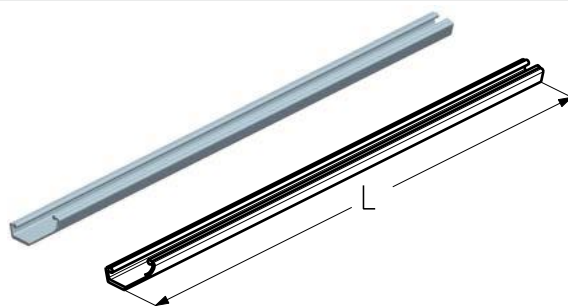
Арт.	Код	Покрытие	Цвет	Длина, мм	Вес, кг/шт.	Применение	Розничная цена, евро с НДС
WD-40.151R.001	404236291	Анодированное	A00-D6 (серебро)	422	0,095	Для ворот с правой калиткой	3,00
WD-40.151R.001	404236233	Порошковое	Близкий RAL8019	422	0,095		2,90
WD-40.161R.001	404236891	Анодированное	A00-D6 (серебро)	547	0,124		3,70
WD-40.161R.001	404236833	Порошковое	Близкий RAL8019	547	0,124		3,60
WD-40.151L.001	404236191	Анодированное	A00-D6 (серебро)	422	0,095	Для ворот с левой калиткой	3,00
WD-40.151L.001	404236133	Порошковое	Близкий RAL8019	422	0,095		2,90
WD-40.161L.001	404236791	Анодированное	A00-D6 (серебро)	547	0,124		3,70
WD-40.161L.001	404236733	Порошковое	Близкий RAL8019	547	0,124		3,60

ПЕТЛЯ КАЛИТКИ

Элемент нижней петли

Предназначен для соединения петли калитки и петли проема нижней панели.
Используется в калитке с плоским порогом.

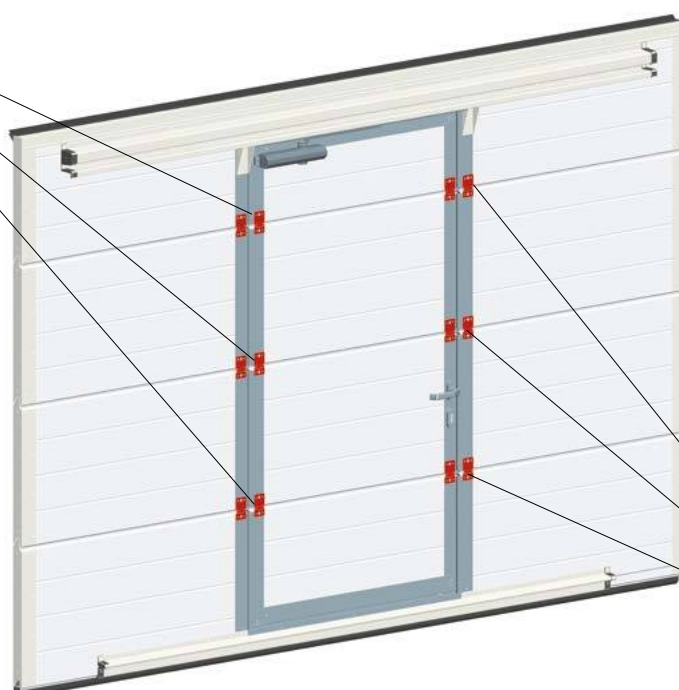
Материалалюминий
Единица измеренияшт.
Норма поставки, шт.10



Арт.	Код	Покрытие	Цвет	Длина, мм	Вес, кг/шт.	Применение	Розничная цена, евро с НДС
WD-40.153R.001	404236691	Анодированное	A00-D6 (серебро)	493	0,11	Для ворот с правой калиткой	3,40
WD-40.153R.001	404236633	Порошковое	Близкий RAL8019	493	0,11		3,30
WD-40.163R.001	404237291	Анодированное	A00-D6 (серебро)	618	0,14		4,10
WD-40.163R.001	404237233	Порошковое	Близкий RAL8019	618	0,14		4,00
WD-40.153L.001	404236591	Анодированное	A00-D6 (серебро)	493	0,11	Для ворот с левой калиткой	3,40
WD-40.153L.001	404236533	Порошковое	Близкий RAL8019	493	0,11		3,30
WD-40.163L.001	404237191	Анодированное	A00-D6 (серебро)	618	0,14		4,10
WD-40.163L.001	404237133	Порошковое	Близкий RAL8019	618	0,14		4,00

УСТАНОВКА ПЕТЛИ ПРОМЕЖУТОЧНОЙ

Петля промежуточная (WH-40.013)



Петля промежуточная (WH-40.011)

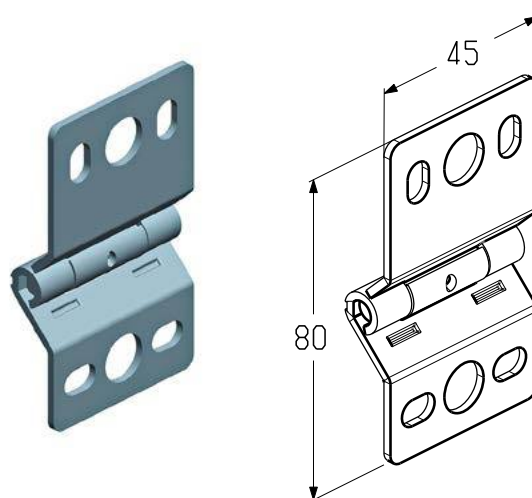
1.2

Петля промежуточная

Предназначена для соединения калиточных панелей. Используется в калитке с плоским, стандартным и низким порогом.

Материал.....оцинкованная сталь
Вес, кг/шт.....0,072
Единица измеренияшт.
Норма поставки, шт. 300

Арт.	Код	Розничная цена, евро с НДС
WH-40.011	404240400	1,60

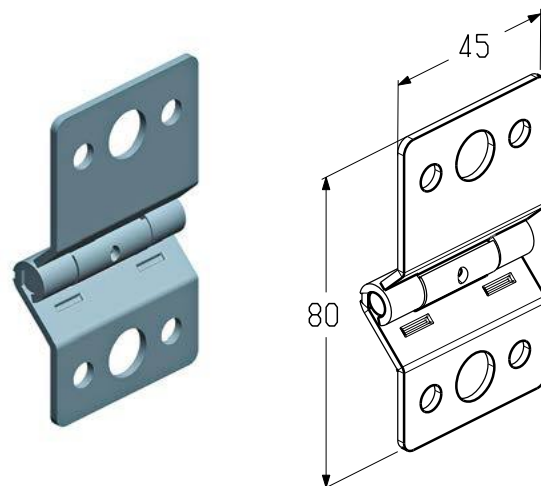


Петля промежуточная

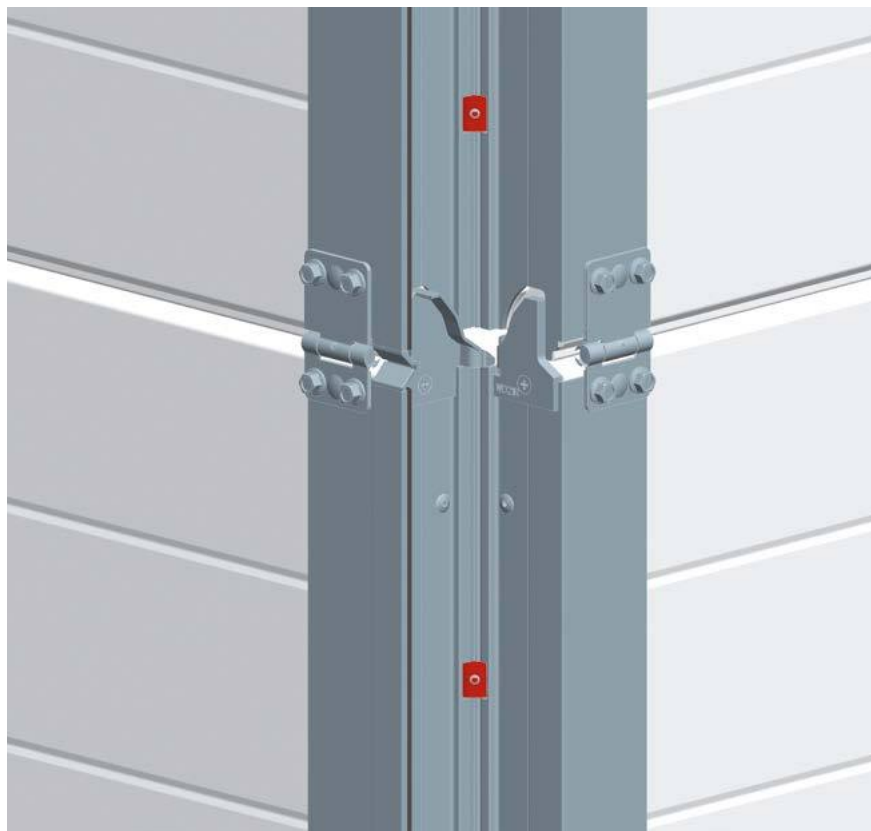
Предназначена для соединения калиточных панелей. Используется в калитке с плоским, стандартным и низким порогом.

Материал.....оцинкованная сталь
Вес, кг/шт.....0,073
Единица измеренияшт.
Норма поставки, шт. 300

Арт.	Код	Розничная цена, евро с НДС
WH-40.013	404240500	1,60



УСТАНОВКА СУХАРЯ

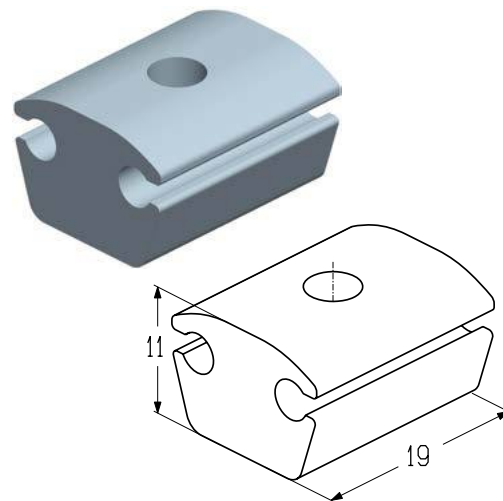


Сухарь

Предназначен для предотвращения взаимного перемещения петли проема относительно петли калитки.
Используется в калитке с плоским, стандартным и низким порогом.

Материал пластмасса
Вес, кг/шт. 0,003
Единица измерения шт.
Норма поставки, шт. 100

Арт.	Код	Розничная цена, евро с НДС
WD100	401720100	0,65



УСТАНОВКА ПРОФИЛЯ УСИЛИВАЮЩЕГО

Профиль усиливающий PRG-12



Профиль усиливающий PRG-13



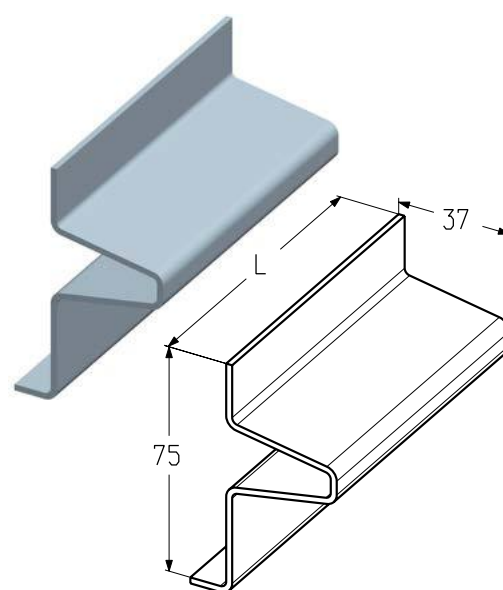
1.2

Профиль усиливающий

Предназначен для усиления нижней калиточной секции.
Используется в калитке с низким порогом.

Материал.....оцинкованная сталь
Покрытие.....полимерное
Цвет.....бело-серый (близкий RAL9002)
Вес, кг/м.....2,46
Единица измеренияМ

Арт.	Код	Длина, мм	Норма поставки, м		Розничная цена, евро с НДС
			м	шт	
PRG-12	401411110	5940	249,48	42	16,50
		6270	263,34	42	16,50

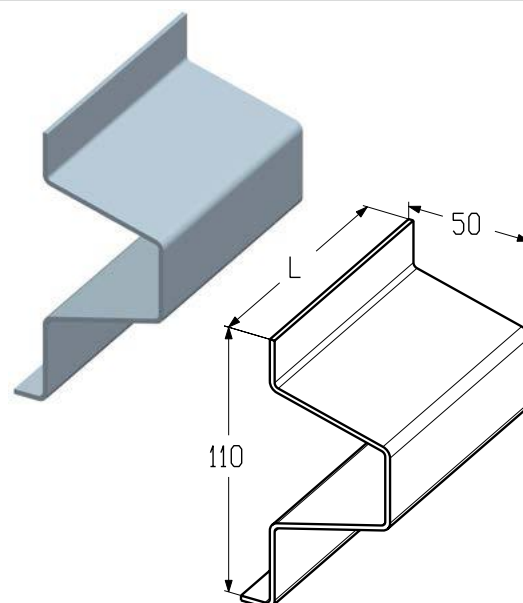


Профиль усиливающий

Предназначен для усиления нижней калиточной секции.
Используется в калитке со стандартным порогом.

Материал.....оцинкованная сталь
Покрытие.....полимерное
Цвет.....бело-серый (близкий RAL9002)
Вес, кг/м.....3,04
Единица измеренияМ

Арт.	Код	Длина, мм	Норма поставки, м		Розничная цена, евро с НДС
			м	шт	
PRG-13	401411210	4620	138,6	30	23,00
		4950	148,5	30	23,00
		6600	198,0	30	23,00



ПРОФИЛИ ДЛЯ ВСТРОЕННОЙ КАЛИТКИ

УСТАНОВКА ЗАГЛУШКИ

Заглушка WD12PR/L

Заглушка WD13PR/L

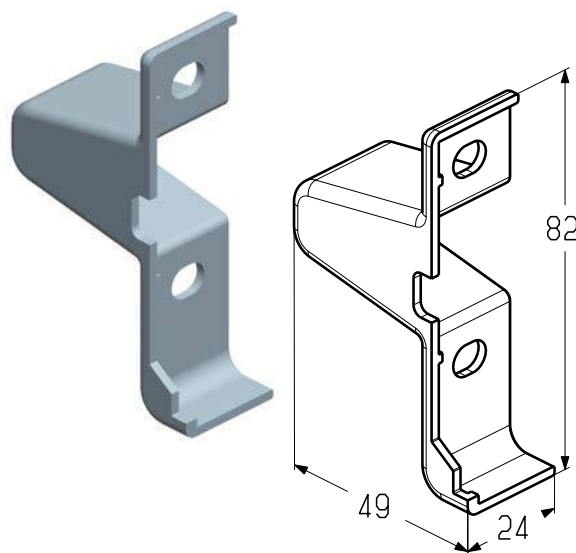


Заглушка

Устанавливается совместно с профилем усиливающим (PRG-12).
Используется в калитке с низким порогом.

МатериалРА
Вес, кг/шт.....0,009
Единица измеренияшт.
Норма поставки, шт. 650

Арт.	Код	Примечание	Розничная цена, евро с НДС
WD12PR	401712100	Правая	0,50
WD12PL	401712200	Левая	0,50

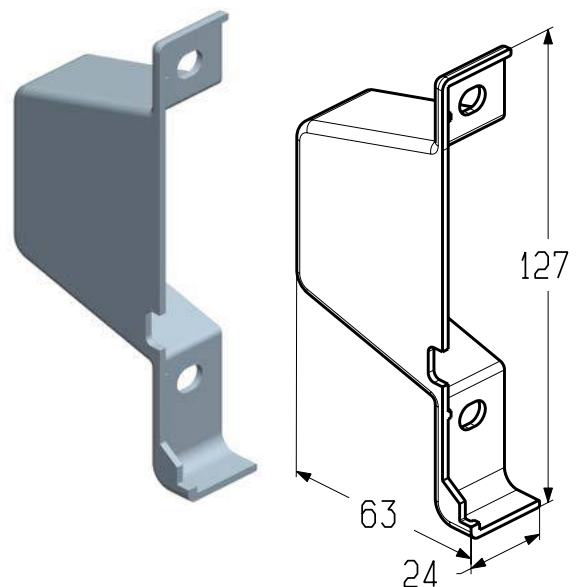


Заглушка

Устанавливается совместно с профилем усиливающим (PRG-13).
Используется в калитке со стандартным порогом.

МатериалРА
Вес, кг/шт.....0,016
Единица измеренияшт.
Норма поставки, шт. 400

Арт.	Код	Примечание	Розничная цена, евро с НДС
WD13PR	401712300	Правая	0,70
WD13PL	401712400	Левая	0,70



УСТАНОВКА ПРОФИЛЯ УСИЛИВАЮЩЕГО
Профиль усиливающий PRG-16

Профиль усиливающий PRG-17

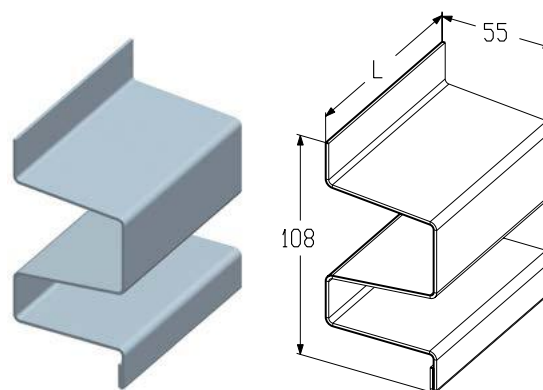

1.2

Профиль усиливающий

Предназначен для усиления верхней калиточной секции.
 Используется при врезке калитки в последнюю воротную панель.
 Используется в калитке с плоским, стандартным и низким порогом.

Материал.....оцинкованная сталь
 Покрытие.....полимерное
 Цвет.....бело-серый (близкий RAL9002)
 Вес, кг/м.....3,20
 Единица измеренияМ

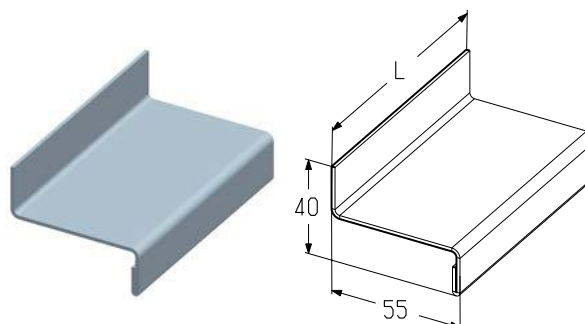
Арт.	Код	Длина, мм	Норма поставки, м		Розничная цена, евро с НДС
			м	шт	
PRG-16	401411510	5280	158,4	30	28,00
		6600	198,0	30	28,00


Профиль усиливающий

Предназначен для усиления верхней калиточной секции.
 Используется при врезке калитки в ворота, собранные из 5 и более панелей.
 Используется в калитке с плоским, стандартным и низким порогом.

Материал.....оцинкованная сталь
 Покрытие.....полимерное
 Цвет.....бело-серый (близкий RAL9002)
 Вес, кг/м.....1,20
 Единица измеренияМ

Арт.	Код	Длина, мм	Норма поставки, м		Розничная цена, евро с НДС
			м	шт	
PRG-17	401411610	5280	58,8	100	11,00
		6600	66,0	100	11,00



ПРОФИЛИ ДЛЯ ВСТРОЕННОЙ КАЛИТКИ

УСТАНОВКА ЗАГЛУШКИ

Заглушка WD16PR/L

Заглушка WD17PR/L

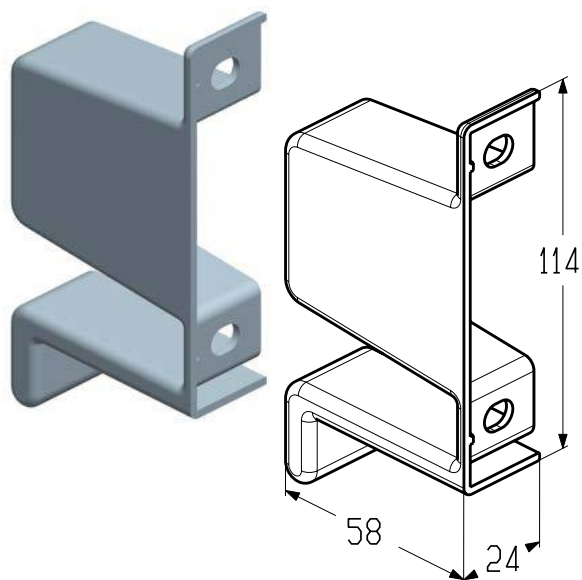


Заглушка

Устанавливается совместно с профилем усиливающим (PRG-16).
Используется в калитке с плоским, стандартным и низким порогом.

МатериалРА
Вес, кг/шт.....0,024
Единица измеренияшт.
Норма поставки, шт. 200

Арт.	Код	Примечание	Розничная цена, евро с НДС
WD16PR	401712500	Правая	1,10
WD16PL	401712600	Левая	1,10

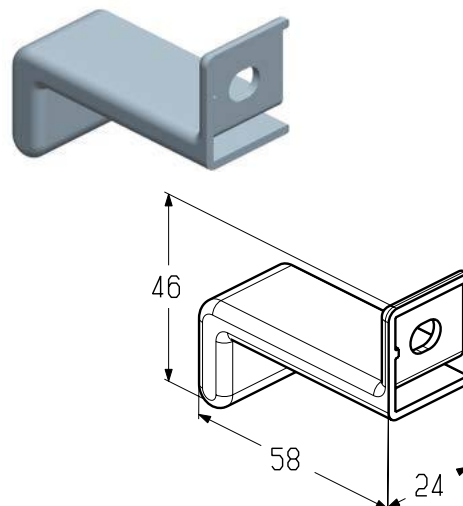


Заглушка

Устанавливается совместно с профилем усиливающим (PRG-17).
Используется в калитке с плоским, стандартным и низким порогом.

МатериалРА
Вес, кг/шт.....0,01
Единица измеренияшт.
Норма поставки, шт. 500

Арт.	Код	Примечание	Розничная цена, евро с НДС
WD17PR	401712700	Правая	0,55
WD17PL	401712800	Левая	0,55

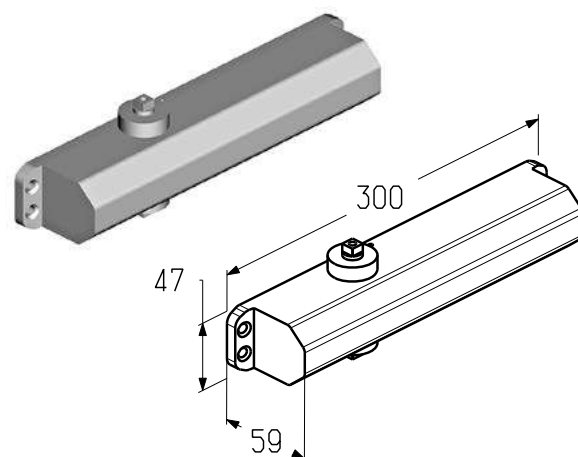


АКСЕССУАРЫ ДЛЯ ВСТРОЕННОЙ КАЛИТКИ
Доводчик дверной

Предназначен для автоматического закрывания калитки.
 Используется совместно с тягой для доводчика (DP0208).
 Используется в калитке с плоским, стандартным и низким порогом.

Вес, кг/шт..... 2,71
 Единица измеренияшт.
 Норма поставки, шт.....10

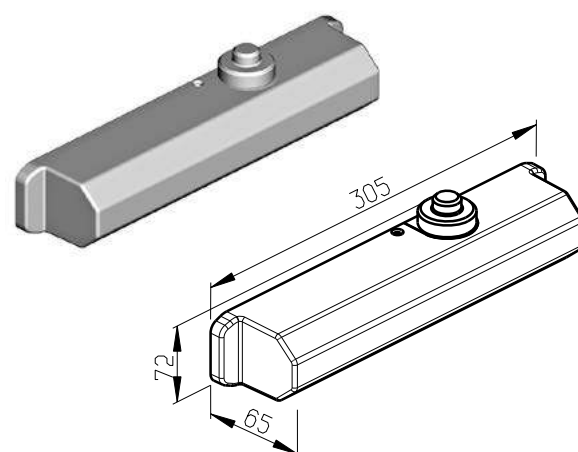
Арт.	Код	Розничная цена, евро с НДС
DP0207	404401000	84,40


Крышка доводчика

Устанавливается совместно с доводчиком (DP0207).
 Используется в калитке с плоским, низким и стандартным порогом.

МатериалABS
 Вес, кг/шт..... 0,10
 Единица измеренияшт.
 Норма поставки, шт.....10

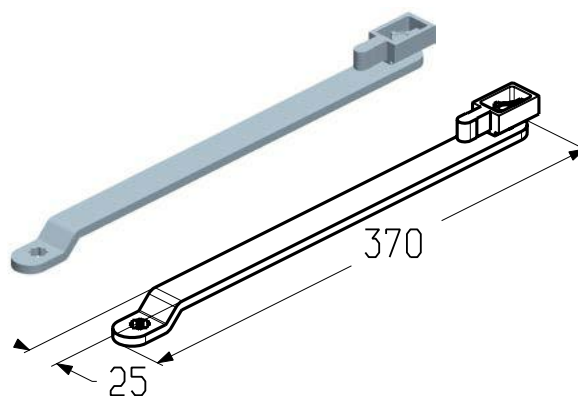
Арт.	Код	Розничная цена, евро с НДС
DP2027	404470200	5,80


Тяга для доводчика

Предназначена для установки совместно с доводчиком дверным (DP0207).
 Используется в калитке с плоским, стандартным и низким порогом.

Вес, кг/шт..... 0,907
 Единица измеренияшт.
 Норма поставки, шт.....10

Арт.	Код	Розничная цена, евро с НДС
DP2010	404406000	11,10



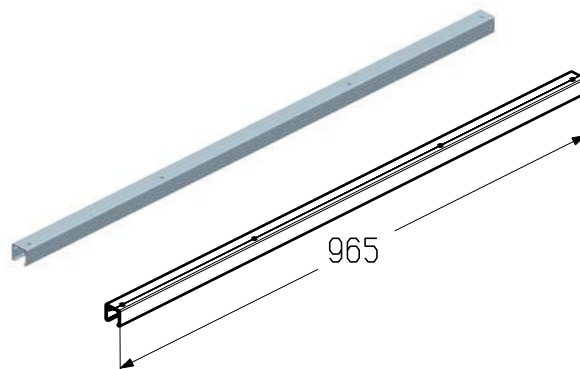
1.2

АКСЕССУАРЫ ДЛЯ ВСТРОЕННОЙ КАЛИТКИ

Шина доводчика

Предназначена для движения тяги доводчика (DP2010).
Устанавливается совместно с профилем усиливающим (PRG-16, PRG-17).
Используется в калитке с плоским, стандартным и низким порогом.

Длина, мм 965
Материал алюминий
Вес, кг/шт 0,52
Единица измерения шт.
Норма поставки, шт 10



Арт.	Код	Примечание	Розничная цена, евро с НДС
WD403R.108	404470191	A00-D6 (анодирование)	12,20
WD403R.108	404470133	Близкий RAL8019	12,20

Контакт калитки

Предназначен для отключения электропривода при открытой калитке.
Используется в калитке с плоским, стандартным и низким порогом.

Вес, кг/шт 0,003
Единица измерения шт.
Норма поставки, шт 10



Арт.	Код	Розничная цена, евро с НДС
SS0206	404403000	4,40

Кабель

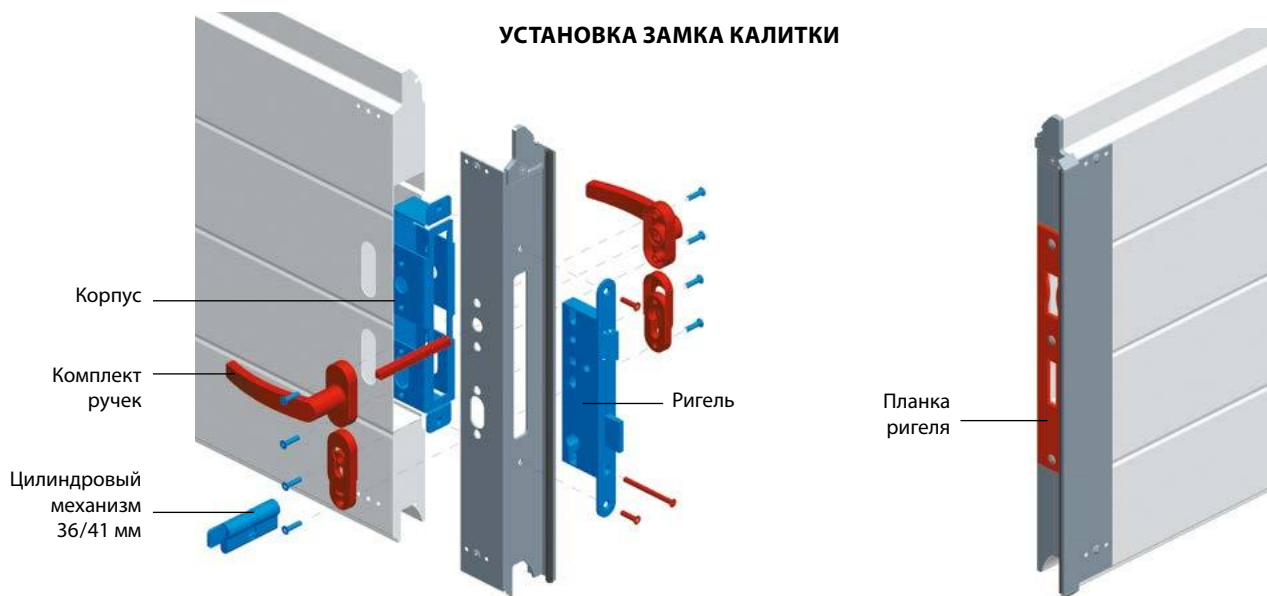
Предназначен для подключения контакта калитки (SS0206) к блоку управления.
Используется в калитке с плоским, стандартным и низким порогом.

Вес, кг/м 0,03
Единица измерения м
Норма поставки, м 250



Арт.	Код	Розничная цена, евро с НДС
C2x0,5	404404000	0,90

УСТАНОВКА ЗАМКА КАЛИТКИ

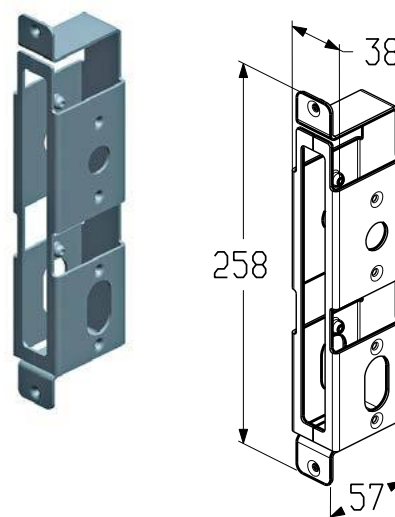


Корпус

Предназначен для установки ригеля (WL0202).
Используется в калитке с плоским, стандартным и низким порогом.

Материал.....оцинкованная сталь
Вес, кг/шт.....0,452
Единица измеренияшт.
Норма поставки, шт.....10

Арт.	Код	Розничная цена, евро с НДС
WL-40.2012	401740200	9,60

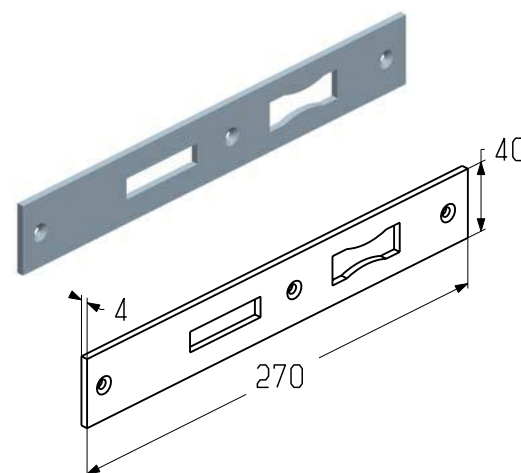


Планка ригеля

Предназначена для установки на обрамление проема среднее (WD-40.250R/L.302, WD-40.260R/L.302).
Используется в калитке с плоским, стандартным и низким порогом.

Материал.....нержавеющая сталь
Вес, кг/шт.....0,13
Единица измеренияшт.
Норма поставки, шт.....10

Арт.	Код	Розничная цена, евро с НДС
WL0200	404410400	3,00

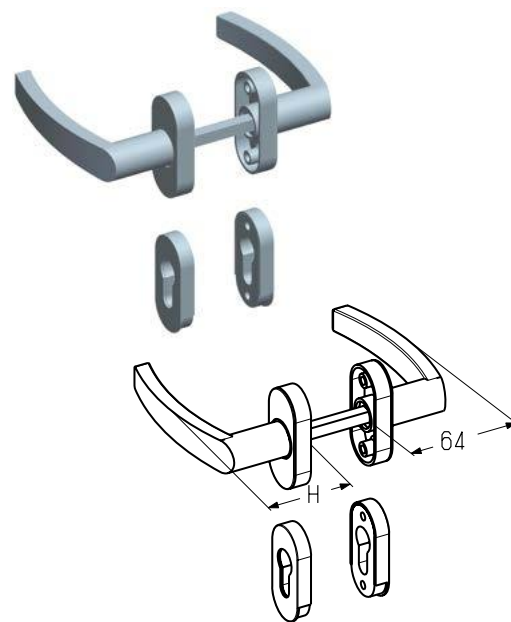


АКСЕССУАРЫ ДЛЯ ВСТРОЕННОЙ КАЛИТКИ

Комплект ручек

Предназначен для установки в калитку с плоским, стандартным и низким порогом.

Материалцинковый сплав
 Вес, кг/шт.0,9
 Единица измеренияшт.
 Норма поставки, шт.10



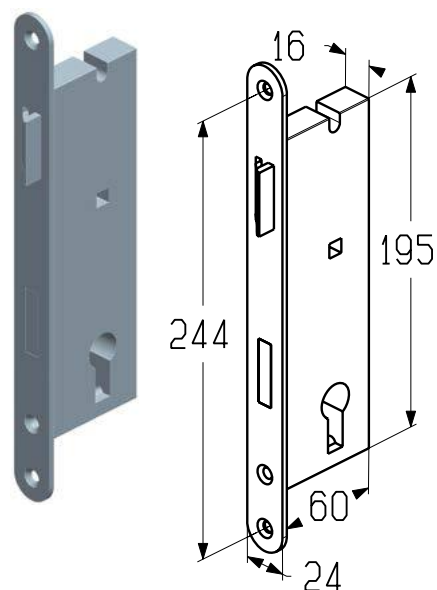
Арт.	Код	Покрытие	Цвет	Вылет наружной ручки от полотна ворот (H), мм	Применение	Розничная цена, евро с НДС
WL2021-SL	404410191	Анодированное	A00-D6 (анодирование)	64	<ul style="list-style-type: none"> для гаражных ворот стандартного типа монтажа; для промышленных ворот всех типов монтажа, кроме высоких, вертикальных и наклонных высоких типов монтажа 	40,70
WL2021-BR	404410133	Порошковое	Бликий RAL8019	64		28,40
WL2021-BK	404410130	Порошковое	Бликий RAL9005	64		28,40
WL2022-SL	404410291	Анодированное	A00-D6 (серебро)	24	<ul style="list-style-type: none"> для гаражных ворот низкого и высокого типов монтажа; для промышленных ворот высоких, вертикальных и высоких наклонных типов монтажа с верхним и нижним расположением вала 	31,50
WL2022-BR	404410233	Порошковое	Бликий RAL8019	24		40,70
WL2022-BK	404410230	Порошковое	Бликий RAL9005	24		40,70

АКСЕССУАРЫ ДЛЯ ВСТРОЕННОЙ КАЛИТКИ
Ригель

Предназначен для установки совместно с корпусом вкладным (WL0201).
Используется в калитке с плоским, стандартным и низким порогом.

Вес, кг/шт.0,63
 Единица измеренияшт.
 Норма поставки, шт.10

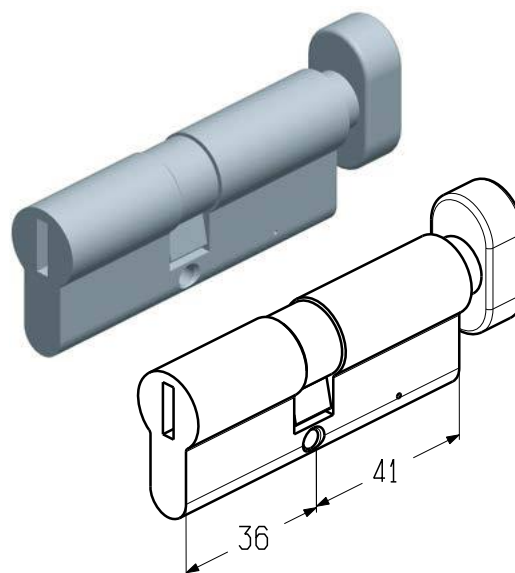
Арт.	Код	Розничная цена, евро с НДС
WL0202	404410300	46,00


Цилиндрический механизм 36/41 мм

Предназначен для установки совместно с ригелем (WL0202).
Используется в калитке с плоским, стандартным и низким порогом.

Вес, кг/шт.0,294
 Единица измеренияшт.
 Норма поставки, шт.10

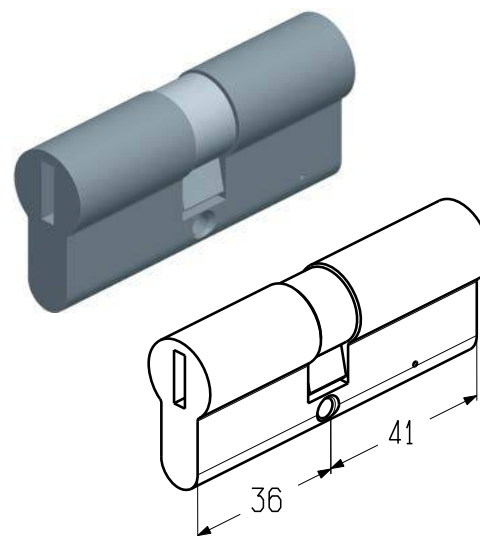
Арт.	Код	Розничная цена, евро с НДС
C-36/41M	404410700	16,40

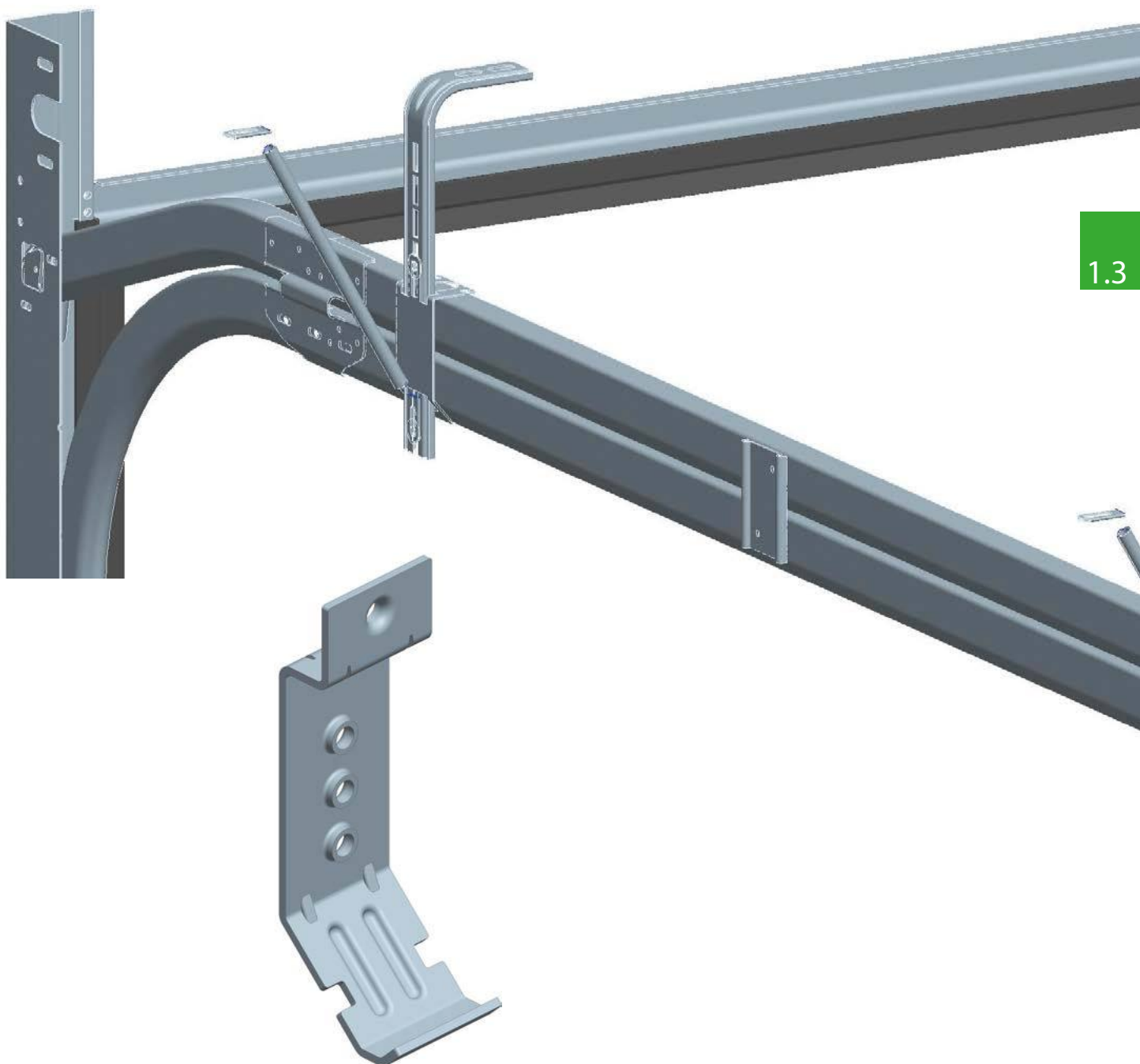

Цилиндрический механизм 36/41 мм

Предназначен для установки совместно с ригелем (WL0202).
Используется в калитке с плоским, стандартным и низким порогом.

Вес, кг/шт.0,264
 Единица измеренияшт.
 Норма поставки, шт.10

Арт.	Код	Розничная цена, евро с НДС
C-36/41	404410500	16,40

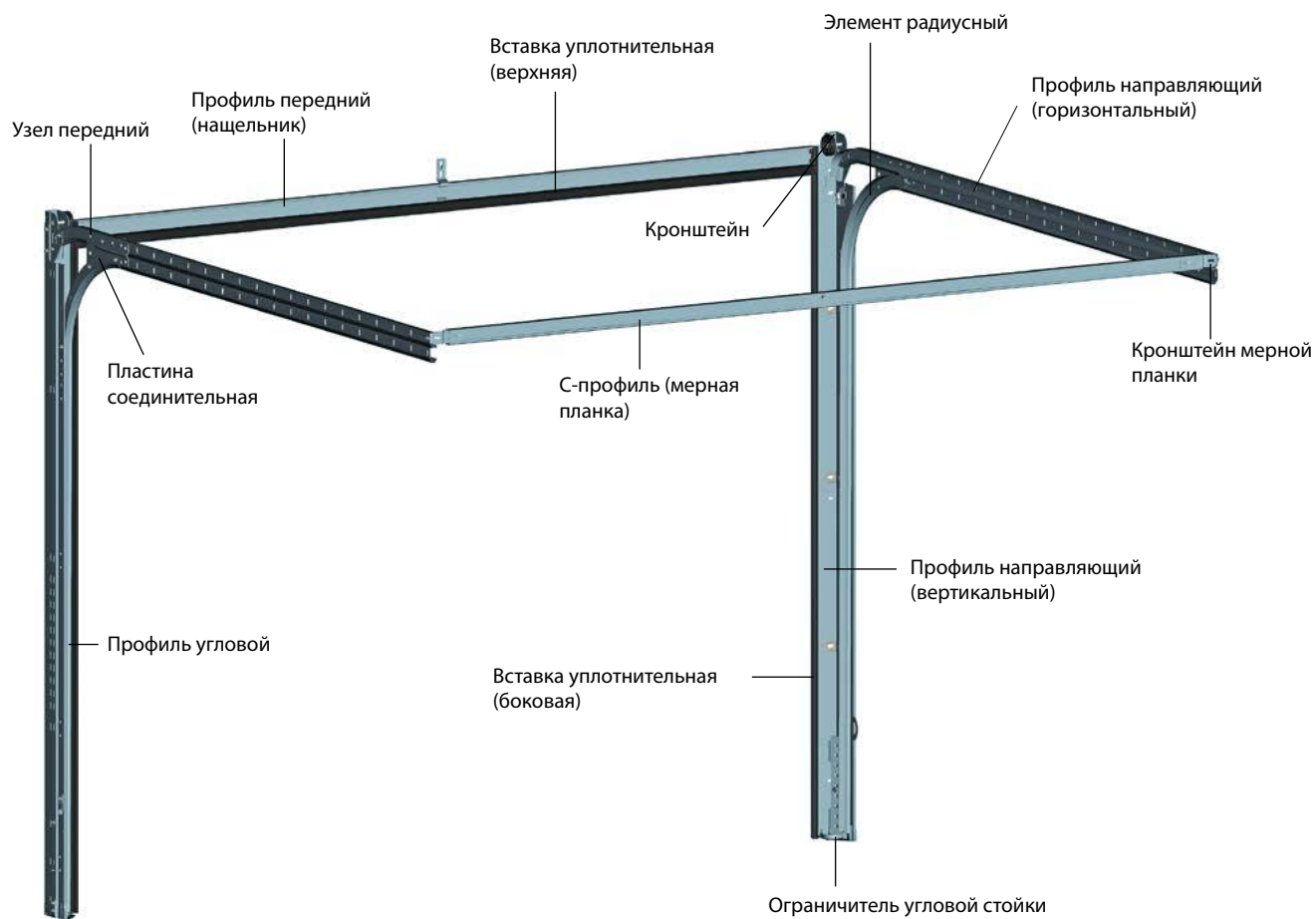




1.3

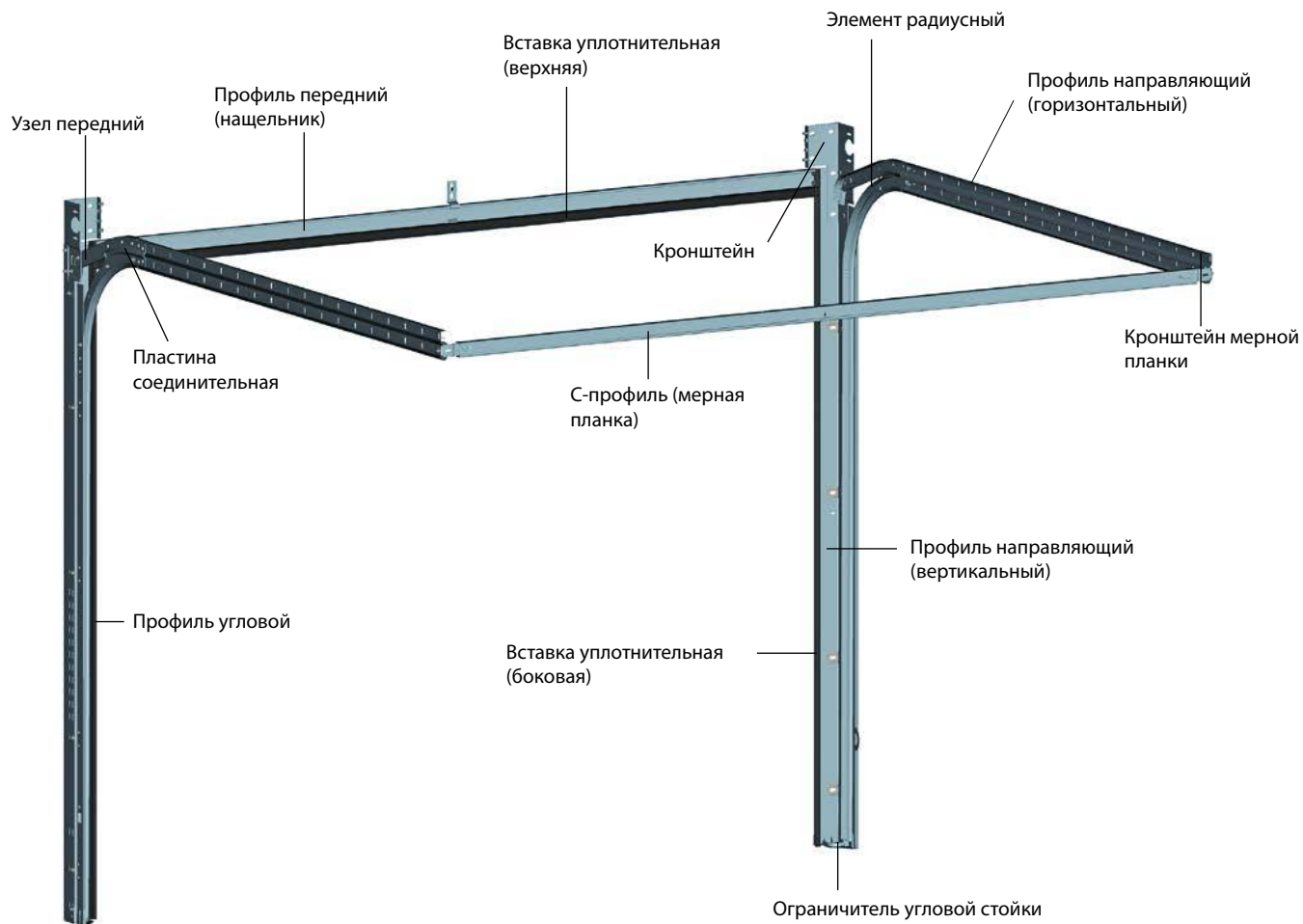
СИСТЕМЫ НАПРАВЛЯЮЩИХ И ПОДВЕСА

ТИПОВАЯ КОНСТРУКЦИЯ СИСТЕМЫ НАПРАВЛЯЮЩИХ И ПОДВЕСА ГАРАЖНЫХ ВОРОТ
С ПРУЖИНАМИ РАСТЯЖЕНИЯ



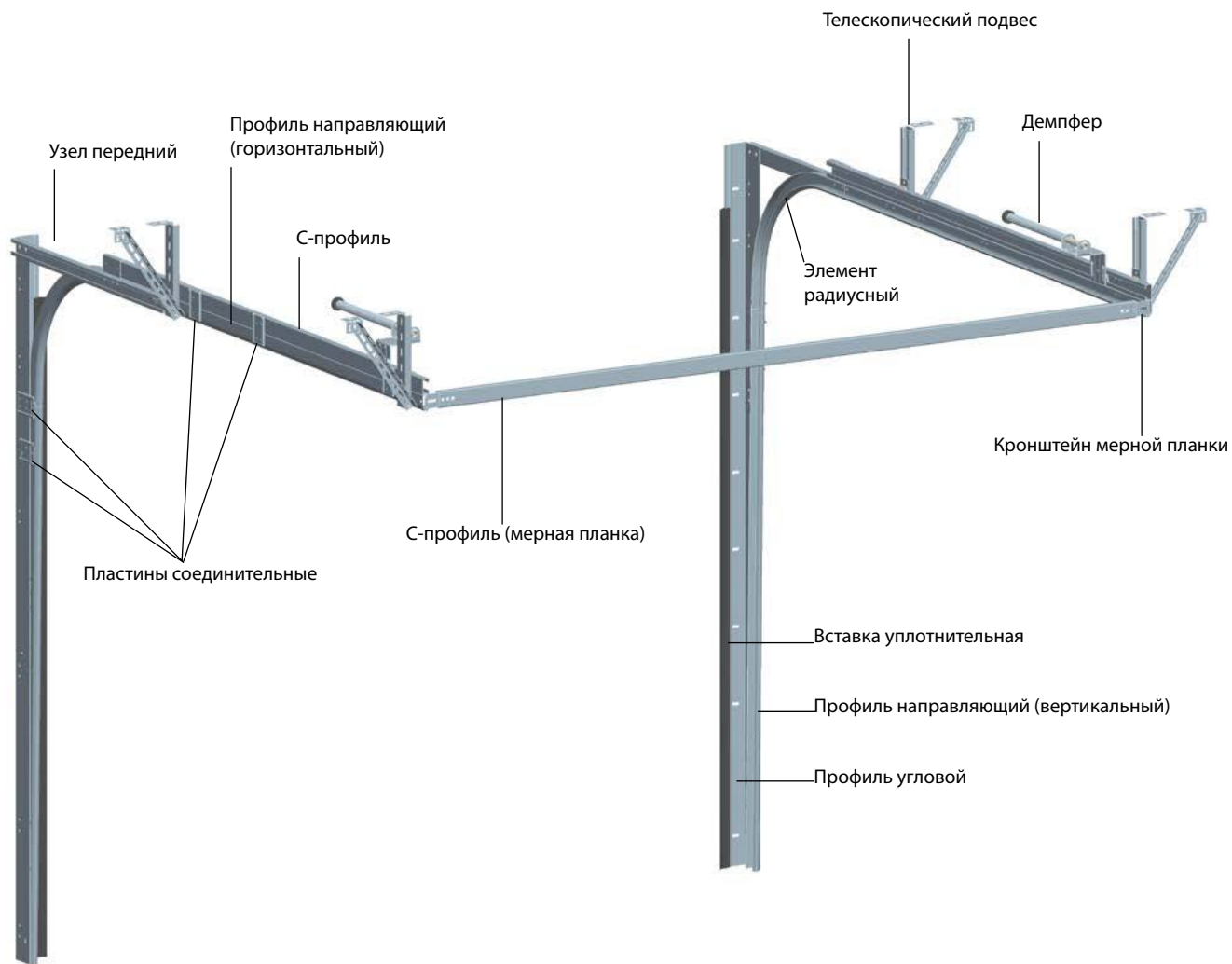
1.3

**ТИПОВАЯ КОНСТРУКЦИЯ СИСТЕМЫ НАПРАВЛЯЮЩИХ И ПОДВЕСА ГАРАЖНЫХ ВОРОТ
С ТОРСИОННЫМИ ПРУЖИНАМИ
СТАНДАРТНЫЙ МОНТАЖ**



1.3

ТИПОВАЯ КОНСТРУКЦИЯ СИСТЕМЫ НАПРАВЛЯЮЩИХ И ПОДВЕСА ПРОМЫШЛЕННЫХ ВОРОТ
СТАНДАРТНОГО ТИПА МОНТАЖА

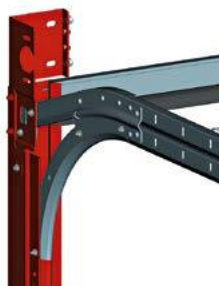


1.3

ПРОФИЛИ УГЛОВЫЕ

УСТАНОВКА ПРОФИЛЯ УГЛОВОГО И ОГРАНИЧИТЕЛЯ УГЛОВОЙ СТОЙКИ ГАРАЖНЫХ ВОРОТ

Профиль угловой



Ограничитель угловой стойки

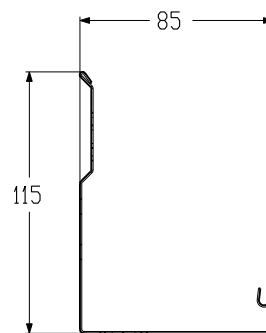
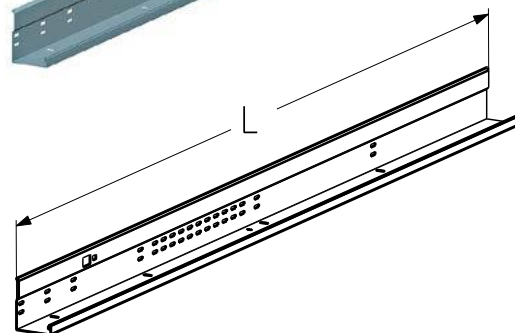
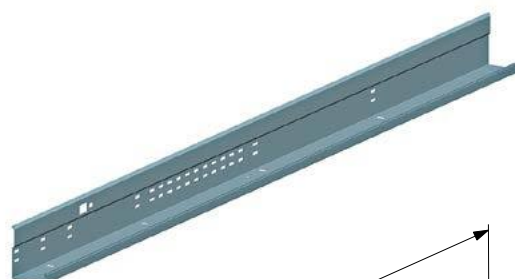


1.3

Профиль угловой

Предназначен для изготовления вертикальных направляющих. Используется в гаражных воротах с пружинами растяжения и торсионными пружинами всех типов монтажа.

Толщина (S), мм.....0,8
 Материал..... оцинкованная сталь
 Покрытие..... полимерное
 Цвет..... белый (близкий RAL9016)
 Вес, кг/м..... 1,537
 Единица измерениям

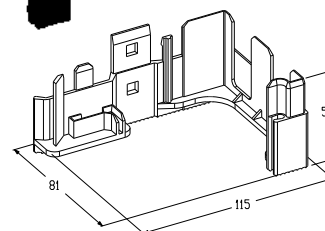


Арт.	Код	Примечание	Длина, мм	Розничная цена, евро с НДС
PRG-30L-1770	402050112	Левый	1770	10,30
PRG-30L-1895	402050212		1895	10,30
PRG-30L-2020	402050312		2020	10,30
PRG-30L-2145	402050412		2145	10,30
PRG-30L-2270	402050512		2270	10,30
PRG-30L-2395	402050612		2395	10,30
PRG-30L-2520	402050712		2520	10,30
PRG-30L-2645	402050812		2645	10,30
PRG-30L-2770	402050912		2770	10,30
PRG-30L-2895	402051012		2895	10,30
PRG-30L-3020	402051112		3020	10,30
PRG-30L-3145	402051212	3145	10,30	
PRG-30R-1770	402051312	Правый	1770	10,30
PRG-30R-1895	402051412		1895	10,30
PRG-30R-2020	402051512		2020	10,30
PRG-30R-2145	402051612		2145	10,30
PRG-30R-2270	402051712		2270	10,30
PRG-30R-2395	402051812		2395	10,30
PRG-30R-2520	402051912		2520	10,30
PRG-30R-2645	402052012		2645	10,30
PRG-30R-2770	402052112		2770	10,30
PRG-30R-2895	402052212		2895	10,30
PRG-30R-3020	402052312		3020	10,30
PRG-30R-3145	402052412	3145	10,30	

Ограничитель угловой стойки

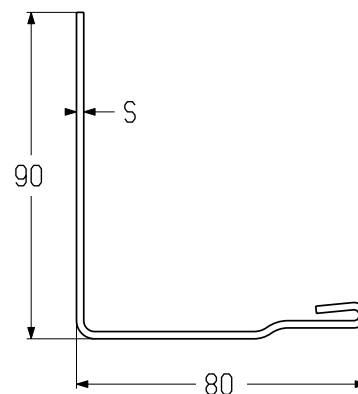
Устанавливается совместно с профилем угловым (PRG-30). Используется в гаражных воротах с пружинами растяжения и торсионными пружинами всех типов монтажа.

Материал.....полиамид стеклонаполненный
 Вес, кг/шт.....0,034
 Единица измеренияшт.
 Норма поставки, шт.....30



Арт.	Код	Примечание	Розничная цена, евро с НДС
LD-3507R	402911200	Правый	2,10
LD-3507L	402911300	Левый	2,10

УСТАНОВКА ПРОФИЛЯ УГЛОВОГО ПРОМЫШЛЕННЫХ ВОРОТ



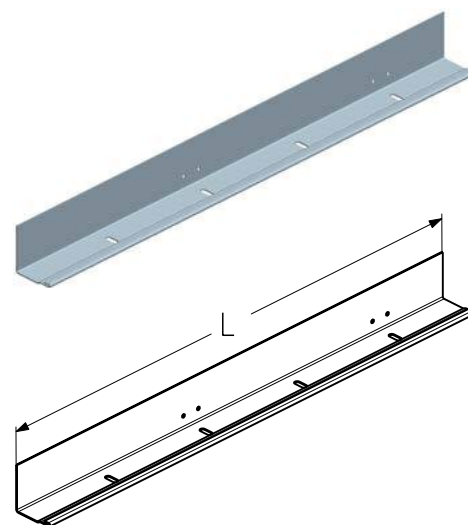
1.3

Профиль угловой

Предназначен для изготовления вертикальных направляющих.
Используется в промышленных воротах всех типов монтажа, кроме низкого и наклонного низкого.

Толщина (S), мм..... 2
Материал..... оцинкованная сталь
Вес, кг/м..... 2,67
Единица измерениям

Арт.	Код	Длина, мм	Норма поставки		Розничная цена, евро с НДС
			м	шт.	
PRG01	402032000	3355	100,65	30	13,00
		3855	115,65	30	13,00
		4255	127,65	30	13,00
		4555	136,65	30	13,00
		4755	142,65	30	13,00
		5055	151,65	30	13,00
		6000	180,00	30	13,00



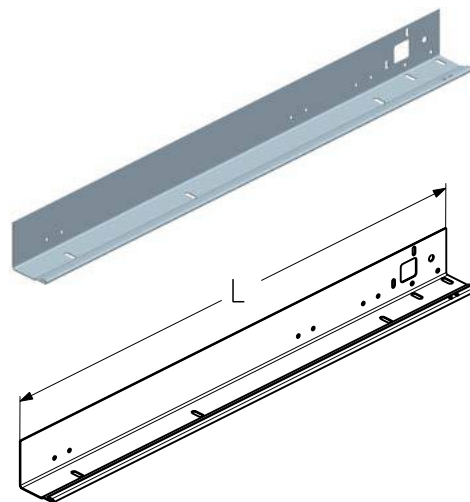
ПРОФИЛИ УГЛОВЫЕ

Профиль угловой

Предназначен для изготовления вертикальных направляющих.
Используется в промышленных воротах низкого типа монтажа.

Толщина (S), мм 2
 Материал оцинкованная сталь
 Вес, кг/м 2,66
 Единица измерения м

Арт.	Код	Примечание	Длина, мм	Норма поставки		Розничная цена, евро с НДС
				м	шт.	
PRG01LL	402032100	Левый	3355	100,65	30	13,00
			3855	115,65	30	13,00
			4255	127,65	30	13,00
			4555	136,65	30	13,00
			4755	142,65	30	13,00
			5055	151,65	30	13,00
PRG01LR	402032200	Правый	3355	100,65	30	13,00
			3855	115,65	30	13,00
			4255	127,65	30	13,00
			4555	136,65	30	13,00
			4755	142,65	30	13,00
			5055	151,65	30	13,00

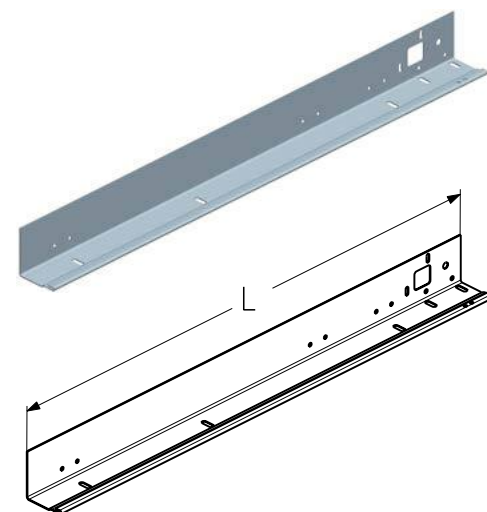


Профиль угловой

Предназначен для изготовления вертикальных направляющих.
Используется в промышленных воротах наклонного низкого типа монтажа.

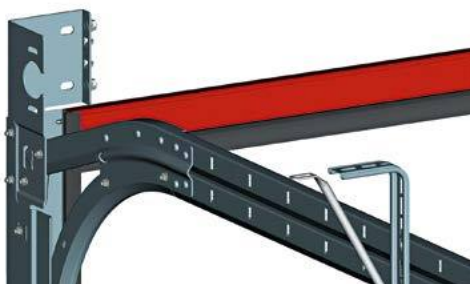
Толщина (S), мм 2
 Материал оцинкованная сталь
 Вес, кг/м 2,66
 Единица измерения м

Арт.	Код	Примечание	Длина, мм	Норма поставки		Розничная цена, евро с НДС
				м	шт.	
PRG01LFL	402032300	Левый	3355	100,65	30	13,00
			3855	115,65	30	13,00
			4255	127,65	30	13,00
			4555	136,65	30	13,00
			4755	142,65	30	13,00
			5055	151,65	30	13,00
PRG01LFR	402032400	Правый	3355	100,65	30	13,00
			3855	115,65	30	13,00
			4255	127,65	30	13,00
			4555	136,65	30	13,00
			4755	142,65	30	13,00
			5055	151,65	30	13,00



УСТАНОВКА ПРОФИЛЯ ПЕРЕДНЕГО

Профиль передний (PRG-35)



Профиль передний (PRG055)



1.3

Профиль передний (нащельник)

Предназначен для соединения профилей угловых и для крепления вставки уплотнительной (RST-13T).

Используется в гаражных воротах с пружинами растяжения и торсионными пружинами всех типов монтажа.

Толщина (S), мм.....0,8

Материал..... оцинкованная сталь

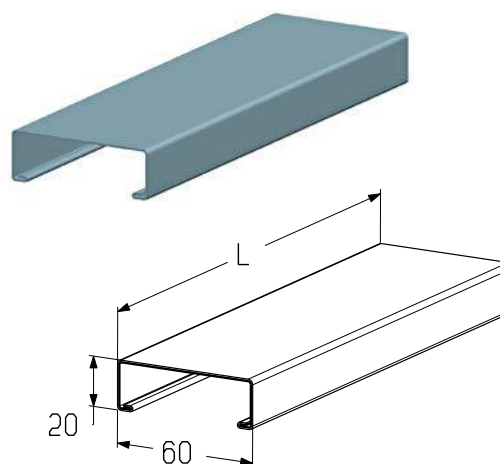
Покрытие..... полимерное

Цвет..... белый (близкий RAL9016)

Вес, кг/м.....0,718

Единица измерениям

Арт.	Код	Розничная цена, евро с НДС
PRG-35-5700	402052512	7,80



Профиль передний (нащельник)

Предназначен для соединения профилей угловых и для крепления вставки уплотнительной (IS85).

Используется в промышленных воротах низкого и наклонного низкого типов монтажа.

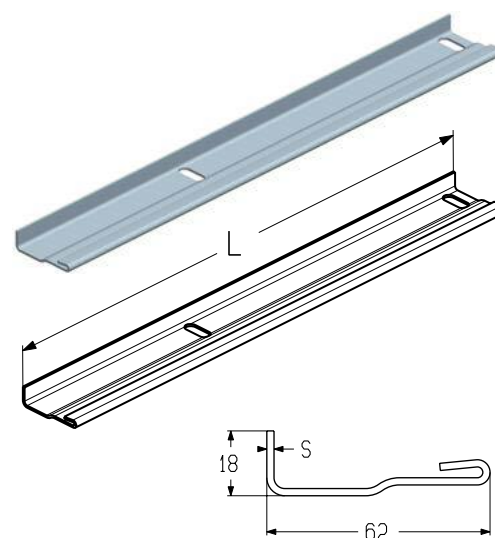
Толщина (S), мм.....1,2

Материал..... оцинкованная сталь

Вес, кг/м.....0,825

Единица измерениям

Арт.	Код	Длина, мм	Норма поставки		Розничная цена, евро с НДС
			м	шт.	
PRG055	402431000	2540	152,40	60	4,40
		2840	170,40	60	4,40
		3040	182,40	60	4,40
		3540	212,40	60	4,40
		4040	242,40	60	4,40
		4540	272,40	60	4,40
		5060	303,60	60	4,40
		6000	360,00	60	4,40



ВСТАВКИ УПЛОТНИТЕЛЬНЫЕ

УСТАНОВКА ВСТАВКИ УПЛОТНИТЕЛЬНОЙ ГАРАЖНЫХ ВОРОТ

Вставка уплотнительная (RSS-12T)



Вставка уплотнительная (RST-13T)

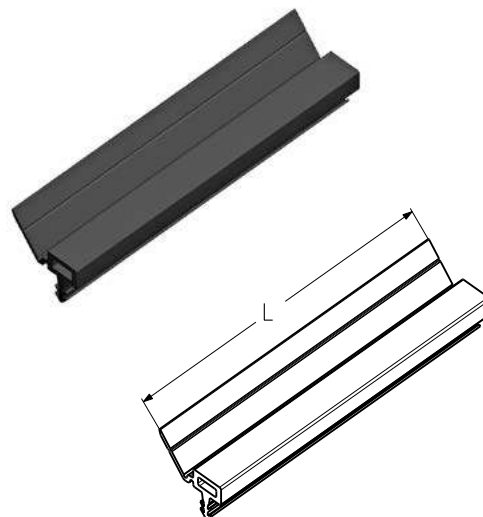


Вставка уплотнительная

Предназначена для герметизации проёма.
Устанавливается совместно с профилем угловым (PRG-30) в гаражных воротах с пружинами растяжения и торсионными пружинами всех типов монтажа.

Материал..... R.PVH/TPE
Вес, кг/м.....0,097
Единица измеренияМ

Арт.	Код	Длина, м	Норма поставки, м	Розничная цена, евро с НДС
RSS-12T-2290	401541500	2290	57,25	2,90
RSS-12T-2410	401541600	2410	60,25	2,90
RSS-12T-2700	401541700	2700	67,50	2,90
RSS-12T-3160	401541800	3160	79,00	2,90

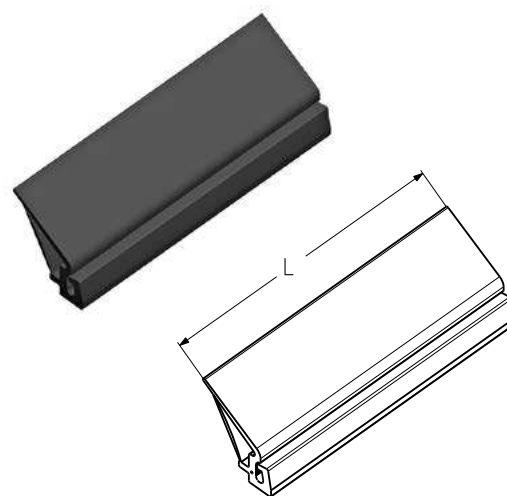


Вставка уплотнительная

Предназначена для герметизации проёма.
Устанавливается совместно с профилем передним (PRG-35) в гаражных воротах с пружинами растяжения и торсионными пружинами всех типов монтажа.

Материал.....EPDM
Вес, кг/м.....0,119
Единица измеренияМ
Норма поставки, м 100

Арт.	Код	Розничная цена, евро с НДС
RST-13T	401541000	3,30



УСТАНОВКА ВСТАВКИ УПЛОТНИТЕЛЬНОЙ



1.3

Вставка уплотнительная

Предназначена для герметизации проёма.

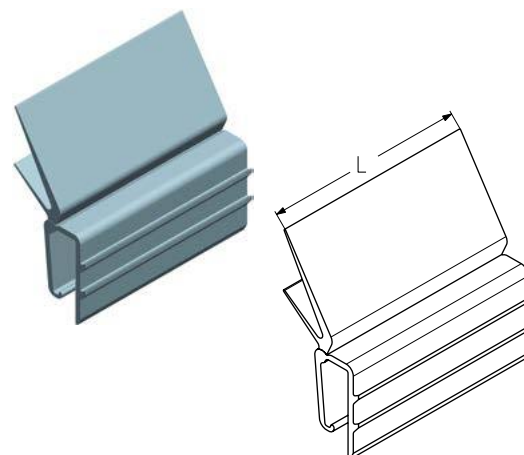
Устанавливается:

- совместно с профилем передним в промышленных воротах низкого и наклонного низкого типов монтажа;
- совместно с профилем угловым в промышленных воротах всех типов монтажа.

МатериалPVC и TPR

Вес, кг/м0,2

Единица измерениям

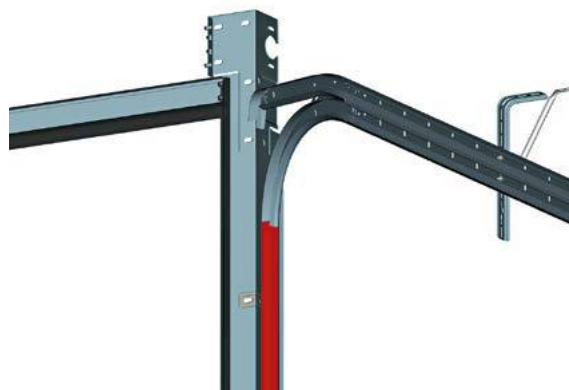


Арт.	Код	Длина, мм	Норма поставки		Розничная цена, евро с НДС
			м	шт.	
IS85-2550	401540600	2550	25,5	10	3,30
IS85-3060	401540100	3060	30,6	10	3,30
IS85-3550	401540700	3550	35,5	10	3,30
IS85-4100	401541200	4100	41,0	10	3,30
IS85-4580	401541300	4580	45,8	10	3,30
IS85-6000	401541300	6000	60	10	3,30
IS85-7000	401540800	7000	70	10	3,30
IS85-8000	401540900	8000	80	10	3,30

ПРОФИЛИ НАПРАВЛЯЮЩИЕ

УСТАНОВКА ПРОФИЛЯ НАПРАВЛЯЮЩЕГО ГАРАЖНЫХ ВОРОТ

Профиль направляющий (PRG31)



Профиль направляющий (PRG32)

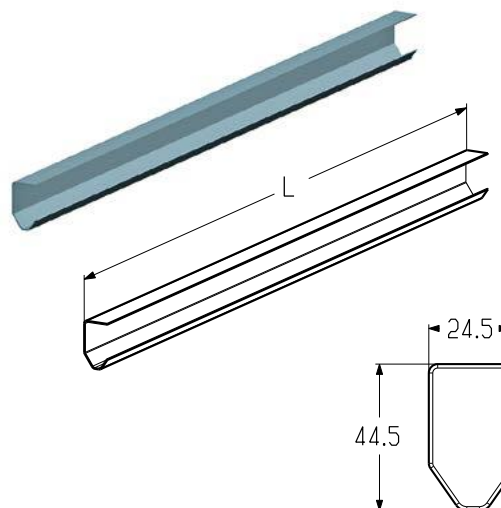


Профиль направляющий (вертикальный)

Предназначен для создания траектории движения полотна ворот в вертикальной плоскости.
Устанавливается совместно с профилем угловым (PRG30).
Используется в гаражных воротах с пружинами растяжения и торсионными пружинами всех типов монтажа.

Толщина (S), мм.....1,2
Материал.....оцинкованная сталь
Вес, кг/м.....0,824
Единица измерениям

Арт.	Код	Длина, мм	Розничная цена, евро с НДС
PRG-31-5700	402110900	5700	4,20
PRG-31-6040	402112500	6040	4,20

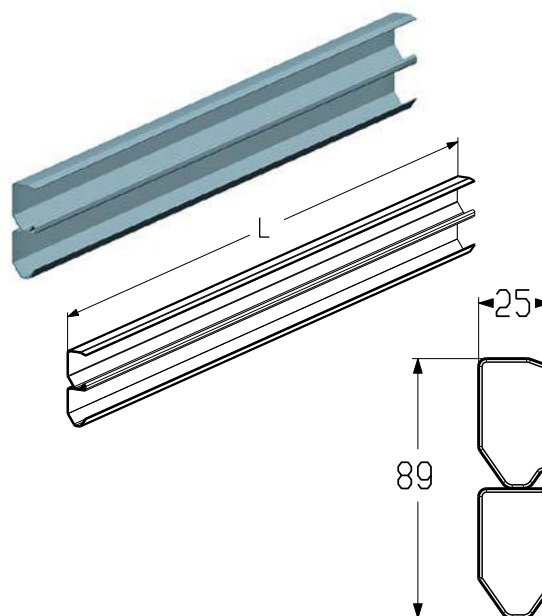


Профиль направляющий (горизонтальный)

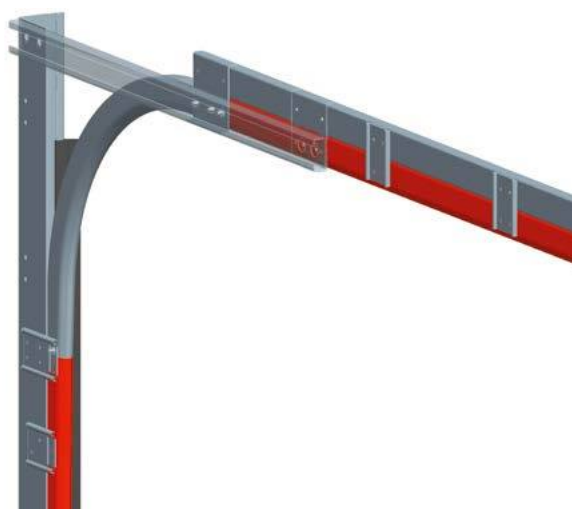
Предназначен для создания траектории движения полотна ворот в горизонтальной плоскости.
Используется в гаражных воротах с пружинами растяжения и торсионными пружинами всех типов монтажа.

Толщина (S), мм.....1,2
Материал.....оцинкованная сталь
Вес, кг/м.....0,824
Единица измерениям

Арт.	Код	Длина, мм	Розничная цена, евро с НДС
PRG-32-5700	402111000	5700	7,00



УСТАНОВКА ПРОФИЛЯ НАПРАВЛЯЮЩЕГО ПРОМЫШЛЕННЫХ ВОРОТ



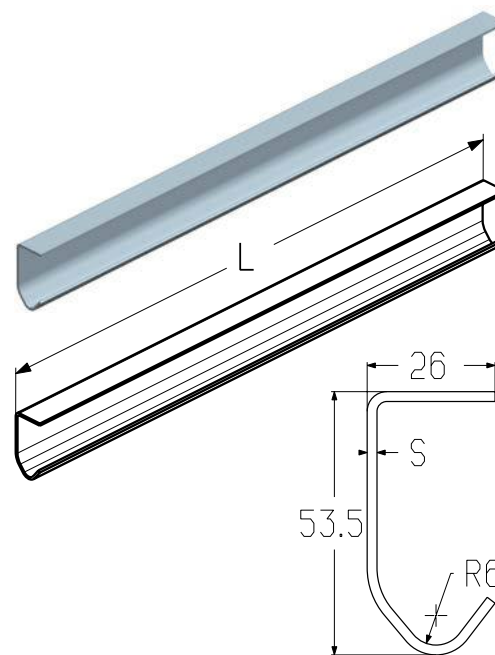
1.3

Профиль направляющий

Предназначен для создания траектории движения полотна ворот.
Устанавливается совместно с профилем угловым (PRG01).
Используется в промышленных воротах всех типов монтажа.

Толщина (S), мм 2
 Материал оцинкованная сталь
 Вес, кг/м 1,439
 Единица измерения М

Арт.	Код	Длина, мм	Норма поставки		Розничная цена, евро с НДС
			м	шт.	
PRG03	402120600	2800	140	50	6,50
		3500	175	50	6,50
		4000	200	50	6,50
		4060	203	50	6,50
		4350	217,5	50	6,50
		5000	250	50	6,50
		6000	300	50	6,50



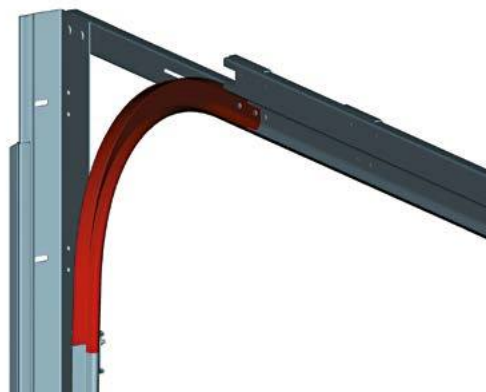
ПРОФИЛИ НАПРАВЛЯЮЩИЕ

УСТАНОВКА ЭЛЕМЕНТА РАДИУСНОГО

Элемент радиусный гаражных ворот



Элемент радиусный промышленных ворот

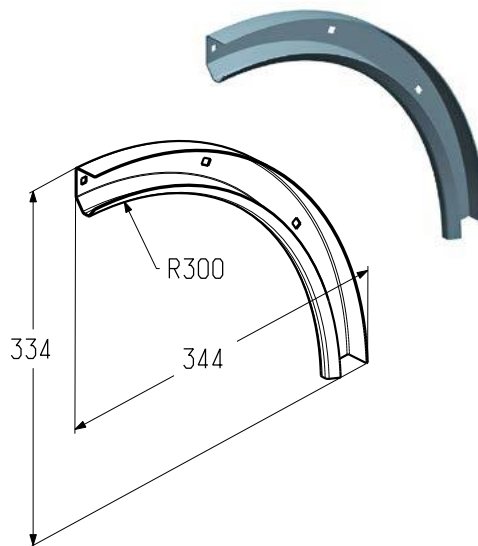


Элемент радиусный

Предназначен для соединения вертикальной и горизонтальной направляющих. Используется в гаражных воротах с пружинами растяжения и торсионными пружинами всех типов монтажа.

Радиус, мм..... 300
Толщина, мм..... 1,2
Материал..... оцинкованная сталь
Вес, кг./шт. 0,41
Единица измерения шт.

Арт.	Код	Розничная цена, евро с НДС
RE-801T	402210400	1,40

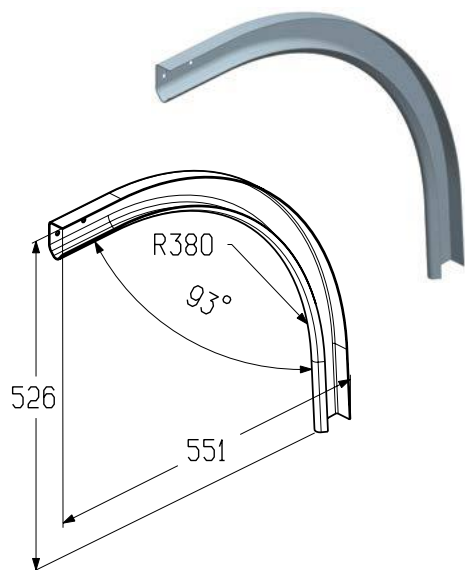


Элемент радиусный левый
Элемент радиусный правый

Предназначен для соединения вертикальной и горизонтальной направляющих. Используется в промышленных воротах стандартного, высокого с верхним и нижним расположением вала и низкого типов монтажа.

Радиус, мм..... 380
Толщина (S), мм..... 2
Материал..... оцинкованная сталь
Вес, кг./шт. 1,274
Единица измерения шт.
Норма поставки, шт. 60

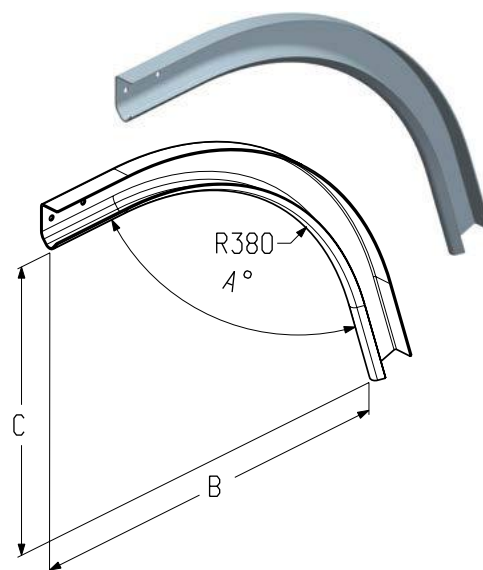
Арт.	Код	Примечание	Розничная цена, евро с НДС
RE101L	402230000	Левый	9,50
RE101R	402230100	Правый	9,50



Элемент радиусный левый
Элемент радиусный правый

Предназначен для соединения вертикальной и горизонтальной направляющих. Используется в промышленных воротах наклонного, наклонного высокого с верхним и нижним расположением вала, наклонного низкого типов монтажа.

Радиус, мм 380
 Толщина (S), мм 2
 Материал оцинкованная сталь
 Единица измерения шт.
 Норма поставки, шт. 60



Арт.	Код	Основные размеры			Угол наклона,* град	Вес, кг/шт.	Примечание	Розничная цена, евро с НДС
		А, град.	В, мм	С, мм				
RE101FL-5	402230200	97	445	445	5	1,218	Левый	8,70
RE101FR-5	402230300	97	445	445	5	1,218	Правый	8,70
RE101FL-10	402230400	102	411	411	10	1,163	Левый	8,40
RE101FR-10	402230500	102	411	411	10	1,163	Правый	8,40
RE101FL-15	402230600	107	376	376	15	1,11	Левый	8,10
RE101FR-15	402230700	107	376	376	15	1,11	Правый	8,10
RE101FL-20	402230800	112	342	342	20	1,055	Левый	7,80
RE101FR-20	402230900	112	342	342	20	1,055	Правый	7,80
RE101FL-25	402231000	117	307	307	25	1,05	Левый	7,50
RE101FR-25	402231100	117	307	307	25	1,05	Правый	7,50
RE101FL-30	402231200	122	274	274	30	0,958	Левый	7,20
RE101FR-30	402231300	122	274	274	30	0,958	Правый	7,20
RE101FL-35	402231400	128	260	260	35	1,001	Левый	8,40
RE101FR-35	402231500	128	260	260	35	1,001	Правый	8,40
RE101FL-40	402231600	133	245	245	40	1,024	Левый	8,50
RE101FR-40	402231700	133	245	245	40	1,024	Правый	8,50
RE101FL-45	402231800	138	210	230	45	1,01	Левый	8,50
RE101FR-45	402231900	138	210	230	45	1,01	Правый	8,50

* Угол наклона горизонтальной направляющей.

ПРОФИЛИ НАПРАВЛЯЮЩИЕ

УСТАНОВКА УЗЛА НАПРАВЛЯЮЩЕГО ПЕРЕДНЕГО ГАРАЖНЫХ ВОРОТ



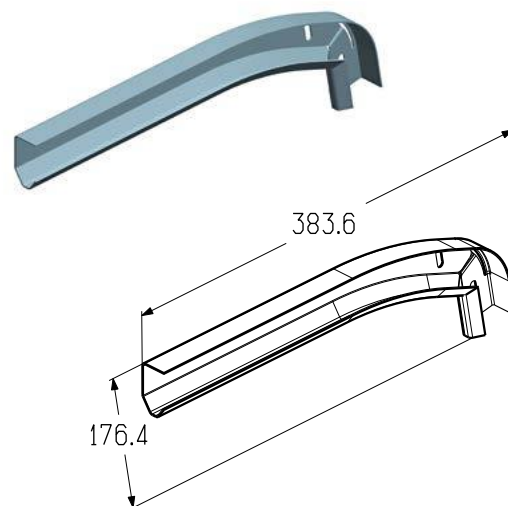
1.3

Узел направляющий передний

Предназначен для создания траектории движения верхней панели полотна ворот совместно с профилем направляющим (PRG-31, PRG-32).
Используется в гаражных воротах с пружинами растяжения и торсионными пружинами низкого типа монтажа.

Толщина, мм 1,2
Материал оцинкованная сталь
Единица измерения шт.

Арт.	Код	Применение	Розничная цена, евро с НДС
S-3505LL	402310400	Левый	5,10
S-3505LR	402310500	Правый	5,10

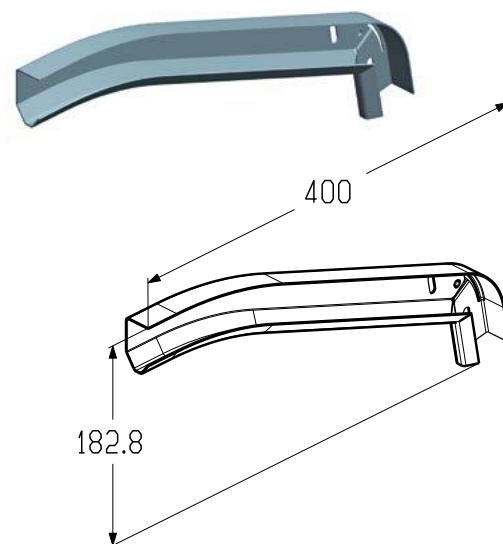


Узел направляющий передний

Предназначен для создания траектории движения верхней панели полотна ворот совместно с профилем направляющим (PRG-31, PRG-32).
Используется в гаражных воротах с торсионными пружинами стандартного типа монтажа.

Толщина, мм 1,2
Материал оцинкованная сталь
Единица измерения шт.

Арт.	Код	Применение	Розничная цена, евро с НДС
S-3506NL	402310600	Левый	5,30
S-3506NR	402310700	Правый	5,30



УСТАНОВКА УЗЛА НАПРАВЛЯЮЩЕГО ПЕРЕДНЕГО ПРОМЫШЛЕННЫХ ВОРОТ



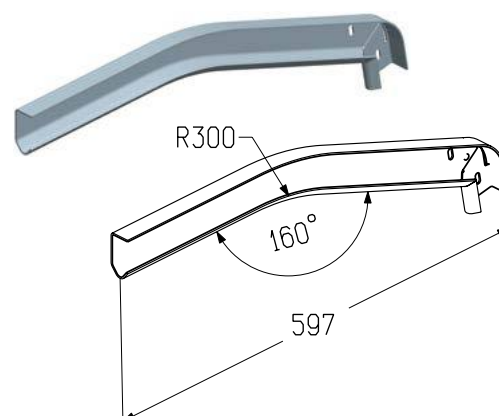
1.3

Узел направляющий передний левый
Узел направляющий передний правый

Предназначен для создания траектории движения верхней панели полотна ворот совместно с профилем направляющим (PRG03).
Используется в промышленных воротах низкого типа монтажа.

Толщина (S), мм 2
Материал оцинкованная сталь
Вес, кг/шт. 0,875
Единица измерения шт.
Норма поставки, шт. 60

Арт.	Код	Примечание	Розничная цена, евро с НДС
S140LL	402330000	Левый	9,00
S140LR	402330100	Правый	9,00



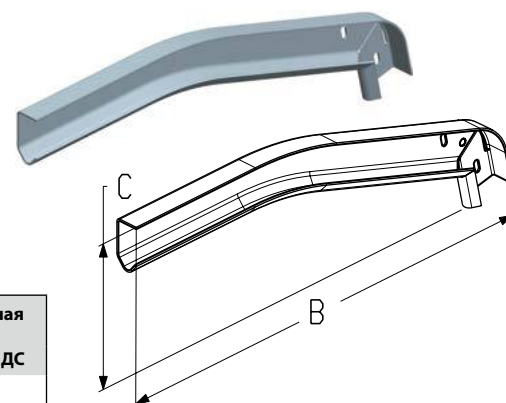
Узел направляющий передний левый
Узел направляющий передний правый

Предназначен для создания траектории движения верхней панели полотна ворот совместно с профилем направляющим (PRG03).
Используется в промышленных воротах наклонного низкого типа монтажа.

Толщина (S), мм 2
Материал оцинкованная сталь
Единица измерения шт.
Норма поставки, шт. 60

Арт.	Код	Основные размеры		Угол наклона,* град	Вес, кг/шт.	Примечание	Розничная цена, евро с НДС
		В, мм	С, мм				
S140LFL-5	402330200	559	237	5	0,87	Левый	9,00
S140LFR-5	402330300	559	237	5	0,87	Правый	9,00
S140LFL-10	402330400	543	201	10	0,81	Левый	9,00
S140LFR-10	402330500	543	201	10	0,81	Правый	9,00
S140LFL-15	402330600	506	168	15	0,755	Левый	9,00
S140LFR-15	402330700	506	168	15	0,755	Правый	9,00
S140LFL-20	402330800	473	139	20	0,705	Левый	9,00
S140LFR-20	402330900	473	139	20	0,705	Правый	9,00
S140LFL-25	402331000	441	111	25	0,685	Левый	9,00
S140LFR-25	402331100	441	111	25	0,685	Правый	9,00
S140LFL-30	402331200	409	86	30	0,645	Левый	9,00
S140LFR-30	402331300	409	86	30	0,645	Правый	9,00
S140LFL-35	402331600	427	86	35	0,65	Левый	9,00
S140LFR-35	402331700	427	86	35	0,65	Правый	9,00
S140LFL-40	402331800	427	86	40	0,65	Левый	9,00
S140LFR-40	402331900	427	86	40	0,65	Правый	9,00
S140LFL-45	402332000	407	86	45	0,62	Левый	9,00
S140LFR-45	402332100	407	86	45	0,62	Правый	9,00

* Угол наклона горизонтальной направляющей.



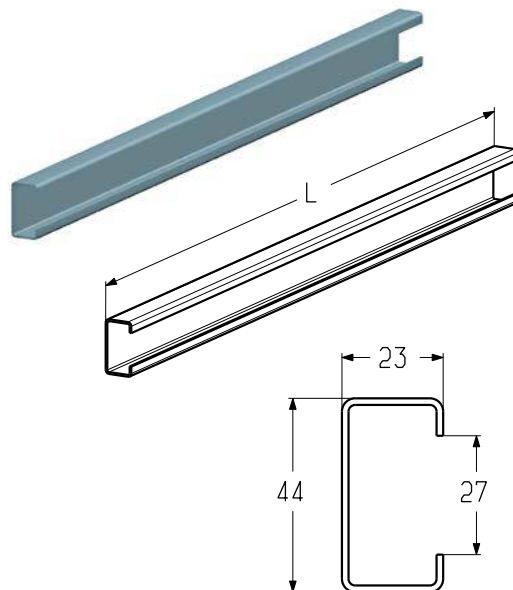
С-ПРОФИЛИ

С-профиль

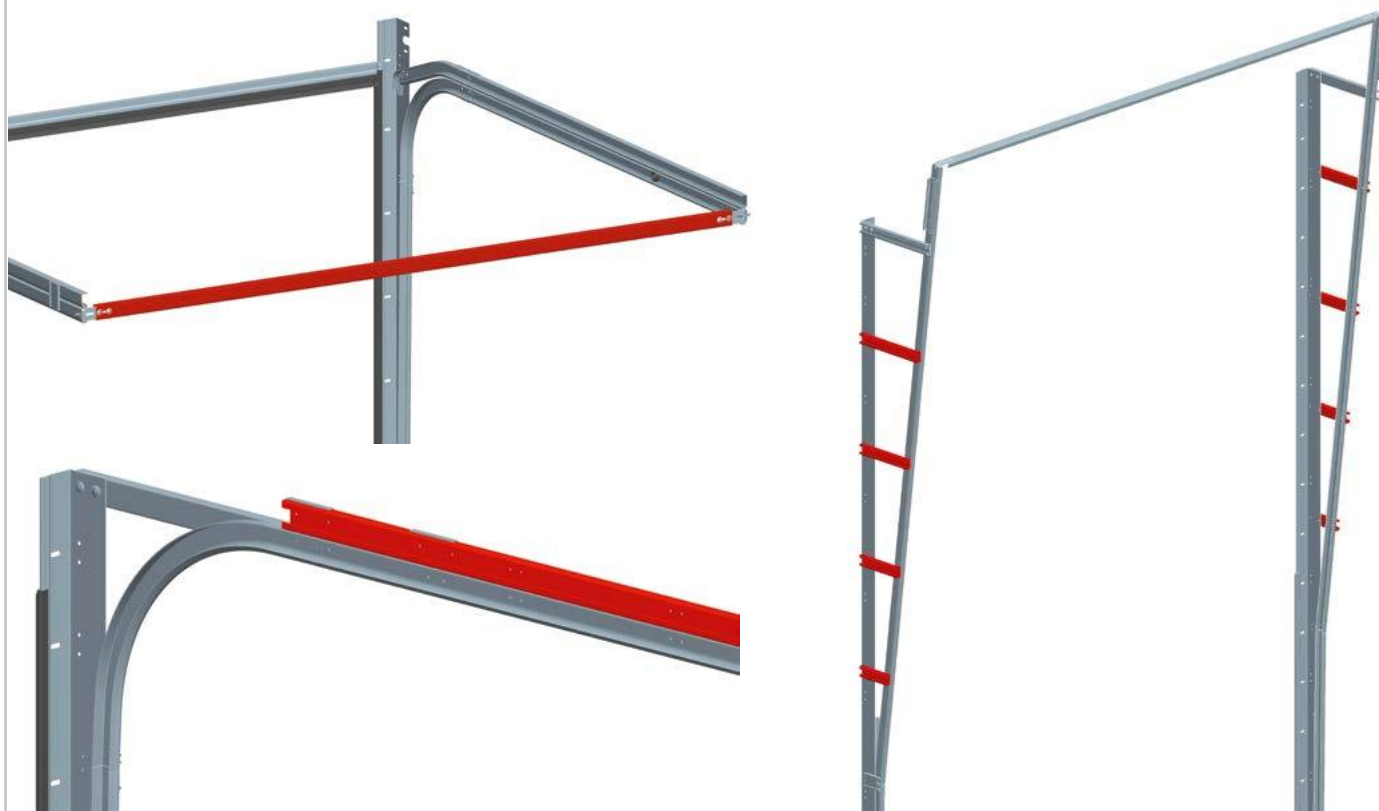
Предназначен для изготовления мерной планки.
Используется в гаражных воротах с пружинами растяжения
и торсионными пружинами всех типов монтажа.

Толщина, мм 1,5
Материал оцинкованная сталь
Вес, кг/м 1,133
Единица измерения М

Арт.	Код	Длина, мм	Розничная цена, евро с НДС
PRG-33-5700	402480100	5700	4,18



УСТАНОВКА С-ПРОФИЛЯ

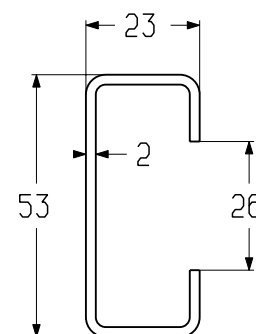
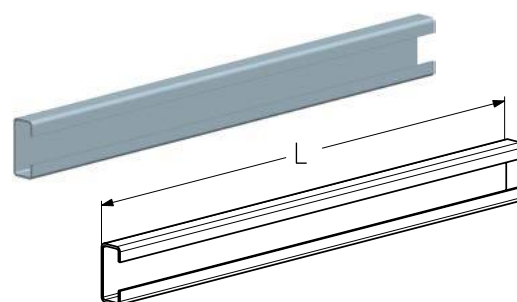


1.3

С-профиль

Предназначен для изготовления мерной планки в промышленных воротах всех типов монтажа, кроме низкого и наклонного низкого.
 Предназначен для усиления горизонтальной направляющей в промышленных воротах всех типов монтажа, кроме низкого и наклонного низкого.
 Предназначен для соединения профиля углового и профиля направляющего в промышленных воротах вертикального типа монтажа с верхним расположением вала.

Толщина, мм..... 2
 Материал..... оцинкованная сталь
 Вес, кг/м..... 1,74
 Единица измеренияМ



Арт.	Код	Длина (L), мм	Норма поставки		Розничная цена, евро с НДС
			м	шт.	
PRG07N	402421600	3045	152,25	50	6,60
		3245	162,65	50	6,60
		3550	177,50	50	6,60
		4050	202,50	50	6,60
		4550	227,50	50	6,60
		5106	255,3	50	6,60
		6000	300	50	6,60

УСТАНОВКА С-ПРОФИЛЯ (МЕРНОЙ ПЛАНКИ)

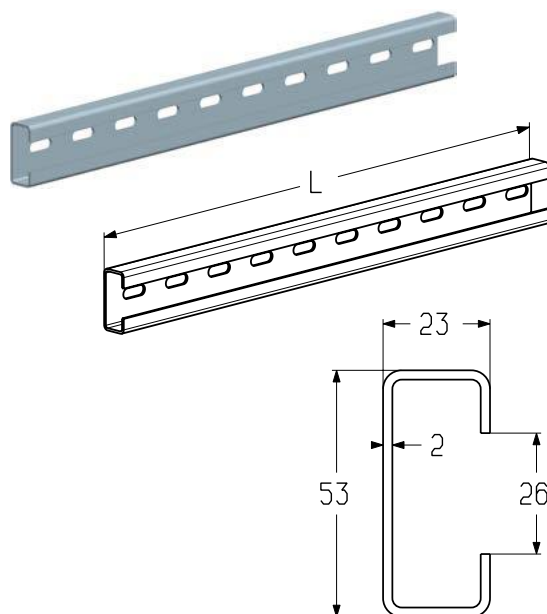
1.3



С-профиль

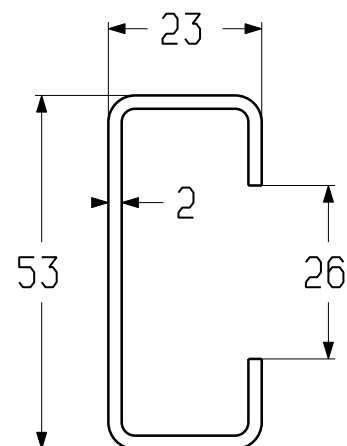
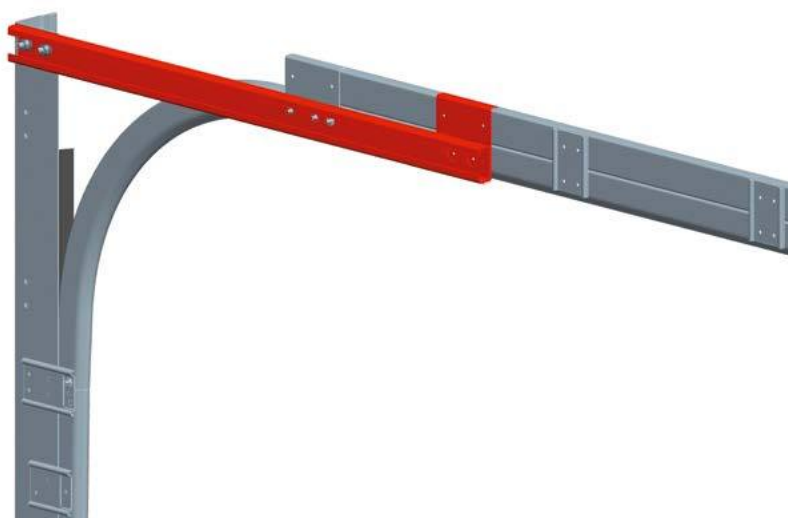
Перфорированный, предназначен для изготовления мерной планки. Используется в промышленных воротах низкого и наклонного низкого типов монтажа.

Толщина, мм 2
 Материал оцинкованная сталь
 Вес, кг/м 1,67
 Единица измерения м



Арт.	Код	Длина (L), мм	Норма поставки		Розничная цена, евро с НДС
			м	шт.	
PRG07	402421500	6000	300	50	6,60

УСТАНОВКА УЗЛА ПЕРЕДНЕГО



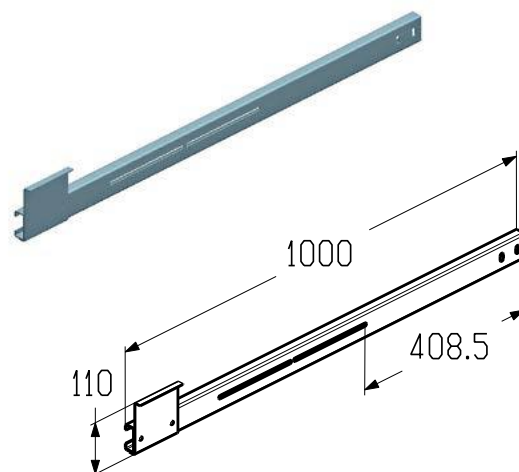
1.3

Узел передний левый
Узел передний правый

Предназначен для соединения профиля углового с горизонтальной направляющей. Используется в промышленных воротах стандартного и высокого с верхним и нижним расположением вала типов монтажа.

Длина, м 1000
Материал оцинкованная сталь
Вес, кг/шт. 1,89
Единица измерения шт.
Норма поставки, шт. 100

Арт.	Код	Примечание	Розничная цена, евро с НДС
S-171L	402500300	Левый	12,00
S-171R	402500400	Правый	12,00

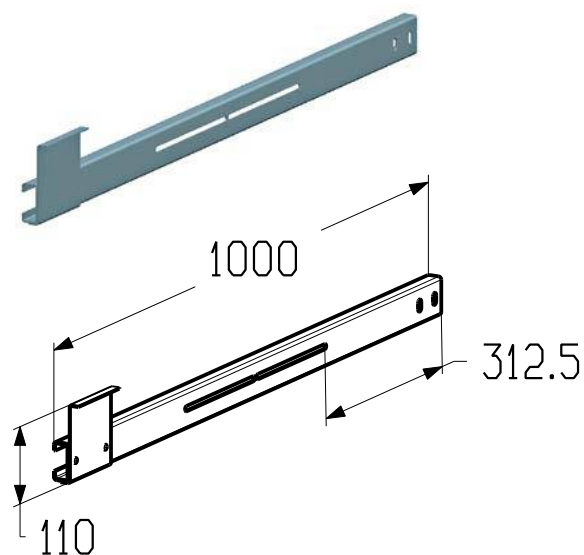


Узел передний левый
Узел передний правый

Предназначен для соединения профиля углового с горизонтальной направляющей. Используется в промышленных воротах наклонного, наклонного высокого с верхним и нижним расположением вала.

Длина, м 1000
Материал оцинкованная сталь
Вес, кг/шт. 1,835
Единица измерения шт.
Норма поставки, шт. 100

Арт.	Код	Примечание	Розничная цена, евро с НДС
S-172L	402500500	Левый	12,00
S-172R	402500600	Правый	12,00



УСТАНОВКА КРОНШТЕЙНА СОЕДИНИТЕЛЬНОГО

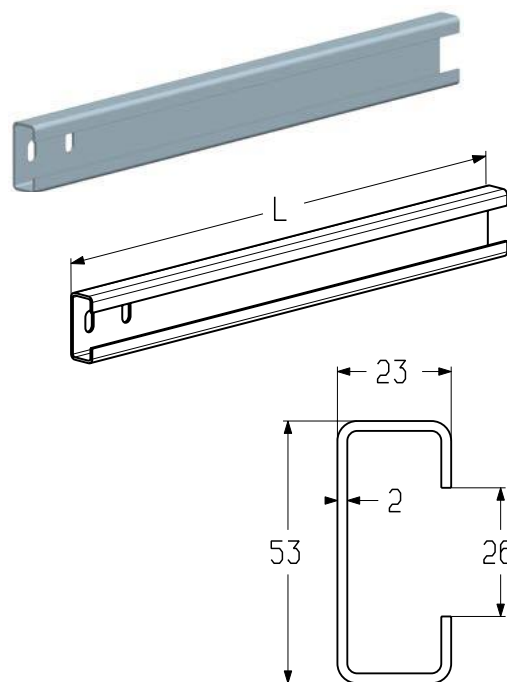


Кронштейн соединительный

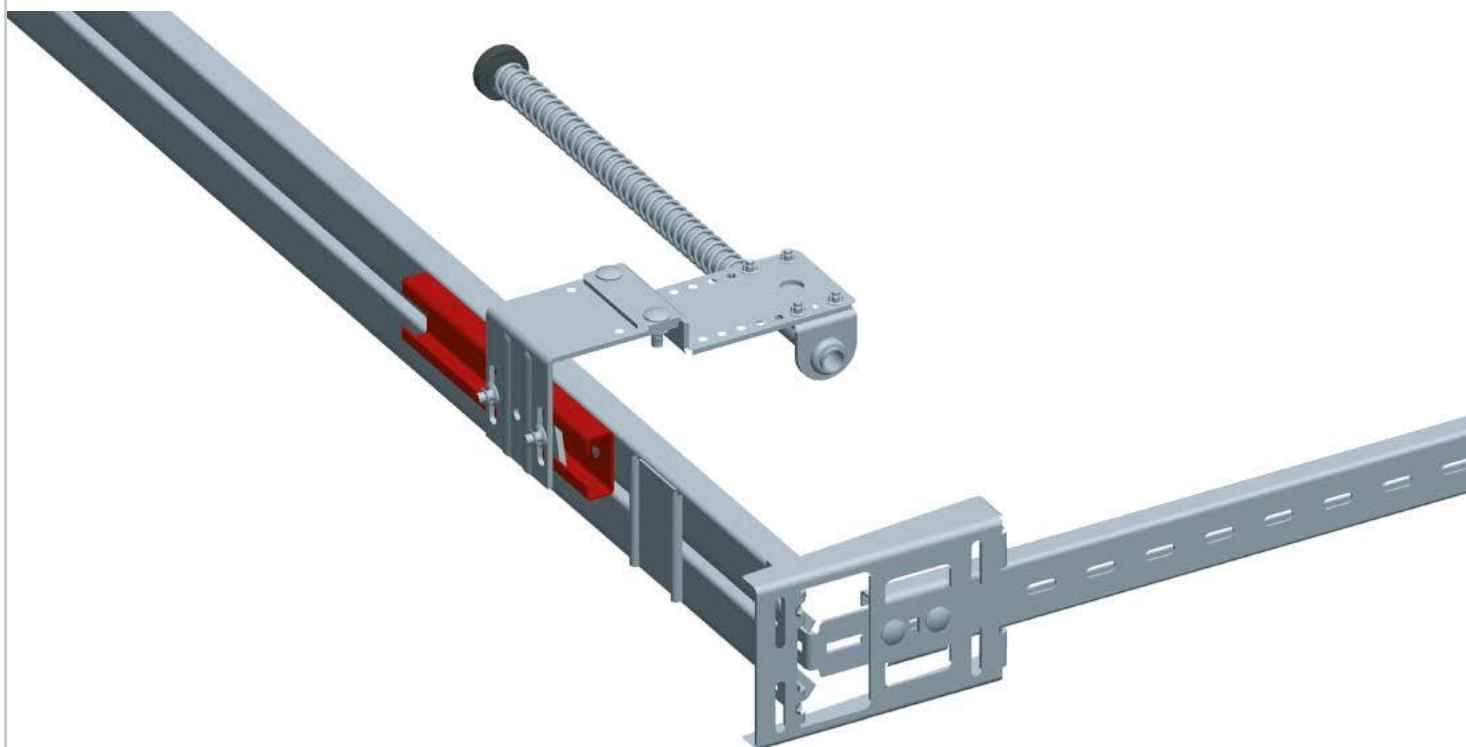
Предназначен для соединения профиля углового и профиля направляющего. Используется в промышленных воротах вертикального типа монтажа с верхним расположением вала.

Материал оцинкованная сталь
Единица измерения шт.
Норма поставки, шт. 100

Арт.	Код	Длина (L), мм	Вес, кг/шт.	Розничная цена, евро с НДС
СВ132-450	402600000	450	0,75	4,50
СВ132-500	402600100	500	0,828	4,50



УСТАНОВКА КРОНШТЕЙНА

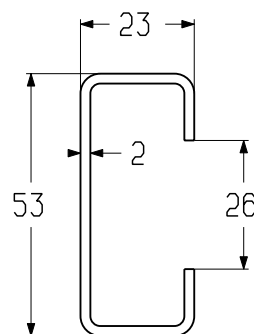
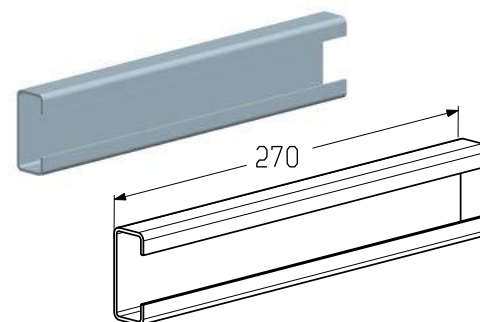


Кронштейн

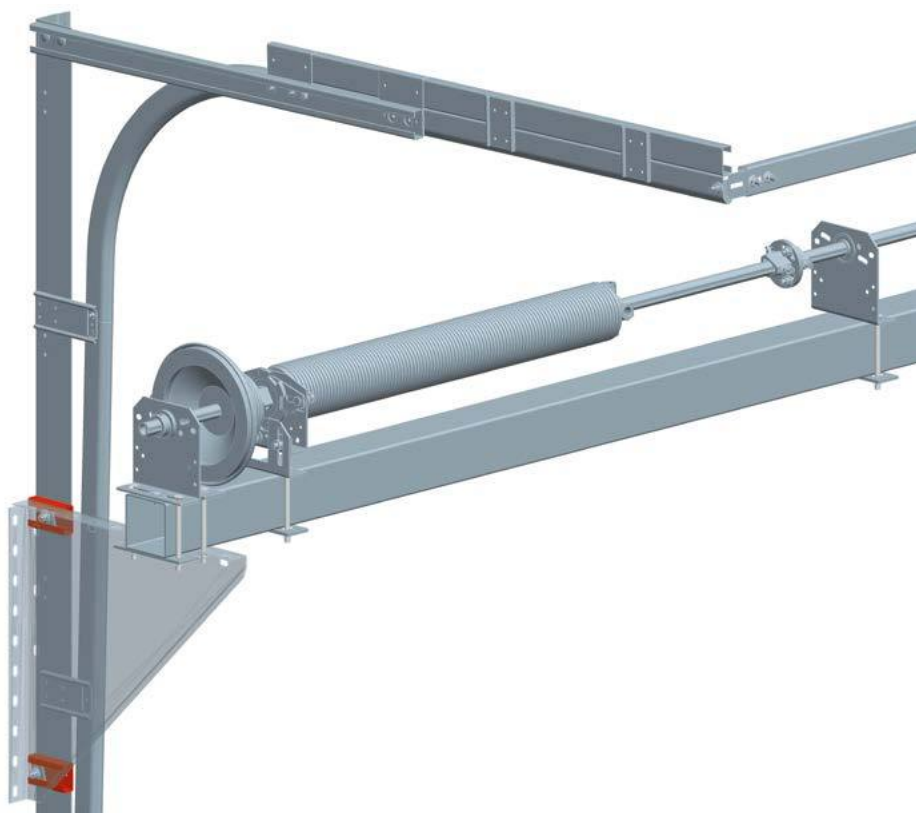
Предназначен для установки демпферов.
Используется в промышленных воротах вертикального типа монтажа с верхним и нижним расположением вала, низкого и наклонного низкого типов монтажа.

Длина, мм 270
Материал оцинкованная сталь
Вес, кг/шт. 0,29
Единица измерения шт.
Норма поставки, шт. 50

Арт.	Код	Розничная цена, евро с НДС
V134	402600200	3,25



УСТАНОВКА КРОНШТЕЙНА

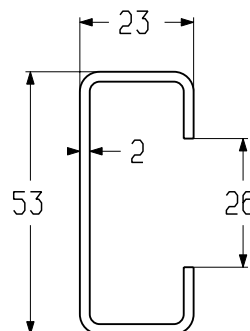
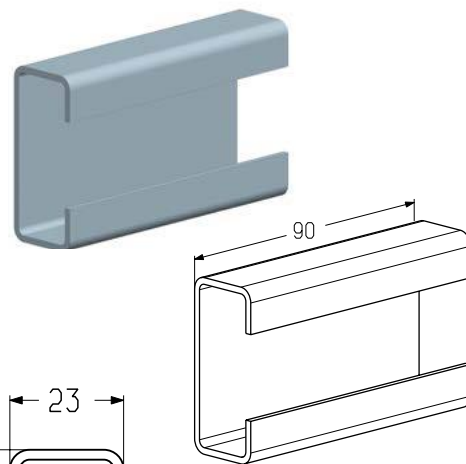


Кронштейн

Предназначен для установки кронштейна (ТР-550).
Используется в промышленных воротах высокого, вертикального, наклонного типов монтажа с нижним расположением вала.

Материал Оцинкованная сталь
Вес, кг/шт 0,15
Единица измерения шт.
Норма поставки, шт. 150

Арт.	Код	Розничная цена, евро с НДС
V133	402600300	1,35



УСТАНОВКА ПРОФИЛЯ НЕСУЩЕГО

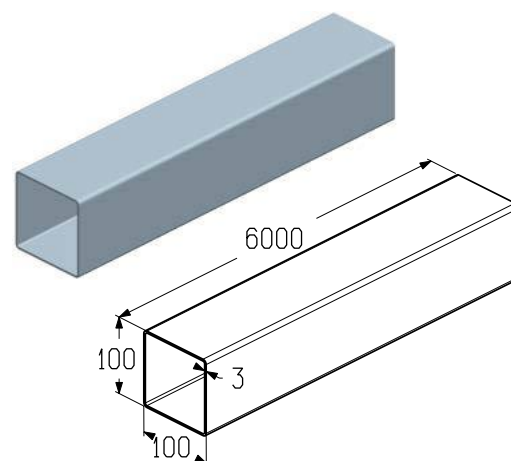


1.3

Профиль несущий

Предназначен для установки торсионного вала.
Используется в промышленных воротах высокого, вертикального, наклонного типов монтажа с нижним расположением вала.

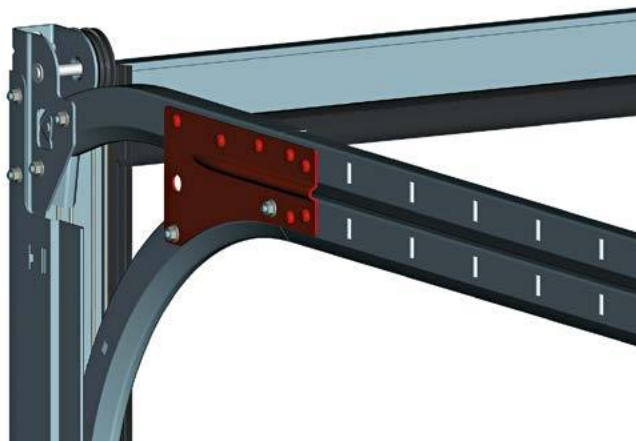
Длина, мм6000
Материал оцинкованная сталь
Вес, кг/м 9
Единица измерениям
Норма поставки, м54



Арт.	Код	Розничная цена, евро с НДС
T-100-6000	402440000	53,00

КРОНШТЕЙНЫ И ПЛАСТИНЫ СОЕДИНИТЕЛЬНЫЕ

УСТАНОВКА ПЛАСТИНЫ СОЕДИНИТЕЛЬНОЙ

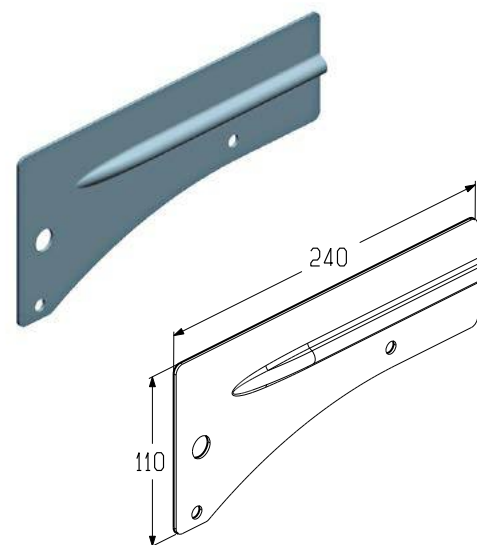


Пластина соединительная

Предназначена для соединения профиля углового с профилем направляющим (вертикальным). Используется в гаражных воротах с пружинами растяжения.

Материал.....оцинкованная сталь
 Вес, кг/шт.....0,33
 Единица измеренияшт.
 Норма поставки, шт.....60

Арт.	Код	Примечание	Розничная цена, евро с НДС
CP-3502R	402812000	Правая	3,40
CP-3502L	402812100	Левая	3,40

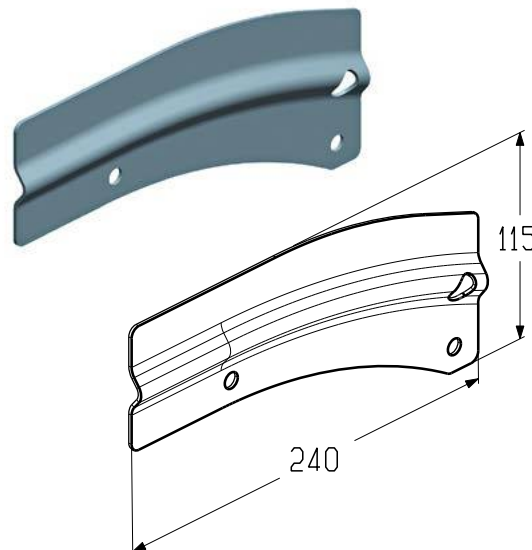


Пластина соединительная

Предназначена для соединения профиля углового с профилем направляющим (вертикальным). Используется в гаражных воротах с торсионными пружинами стандартного типа монтажа.

Материал.....оцинкованная сталь
 Вес, кг/шт.....0,30
 Единица измеренияшт.
 Норма поставки, шт.....80

Арт.	Код	Примечание	Розничная цена, евро с НДС
CP-3504NR	402812400	Правая	3,25
CP-3504NL	402812500	Левая	3,25

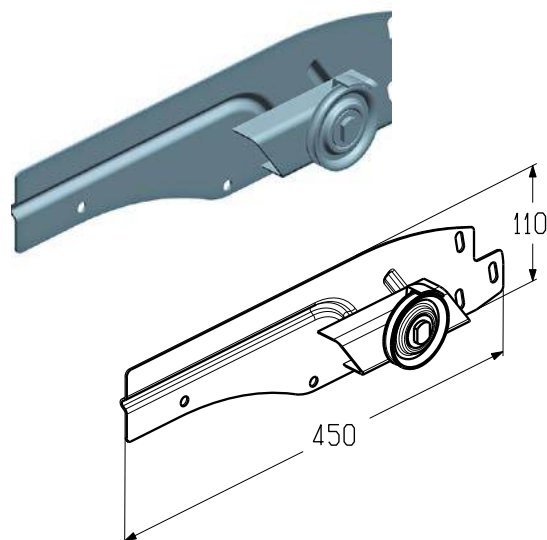


Пластина соединительная

Предназначена для соединения профиля углового с профилем направляющим (вертикальным). Используется в гаражных воротах с торсионными пружинами низкого типа монтажа.

Материал оцинкованная сталь
 Вес, кг/шт. 0,93
 Единица измерения шт.
 Норма поставки, шт. 20

Арт.	Код	Примечание	Розничная цена, евро с НДС
CP-3503LR	402812200	Правая	28,10
CP-3503LL	402812300	Левая	28,10



КРОНШТЕЙНЫ И ПЛАСТИНЫ СОЕДИНИТЕЛЬНЫЕ

УСТАНОВКА КРОНШТЕЙНА

Кронштейн (B-180TL/R)



Кронштейн (B-180TNL/R)



Кронштейн

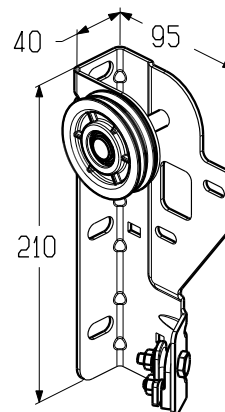
Предназначен для:

- крепления узла направляющего переднего;
- крепления троса.

Используется в гаражных воротах с пружинами растяжения.

Материал оцинкованная сталь
 Вес, кг/шт 0,63
 Единица измерения шт.
 Норма поставки, шт. 30

Арт.	Код	Примечание	Розничная цена, евро с НДС
B-180TL	402630300	Левый	13,80
B-180TR	402630400	Правый	13,80



Кронштейн

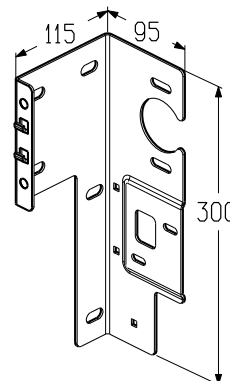
Предназначен для:

- крепления узла направляющего переднего;
- торсионного вала.

Используется в гаражных воротах с торсионными пружинами стандартного типа монтажа.

Материал оцинкованная сталь
 Вес, кг/шт 0,89
 Единица измерения шт.
 Норма поставки, шт. 20

Арт.	Код	Примечание	Розничная цена, евро с НДС
B-180TNL	402630700	Левый	8,60
B-180TNR	402630800	Правый	8,60



УСТАНОВКА КРОНШТЕЙНА

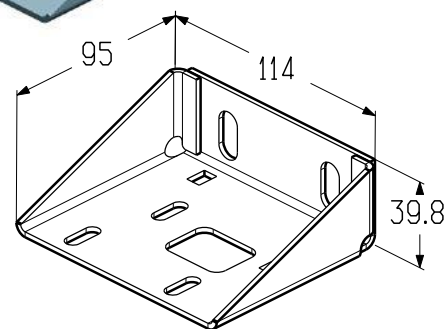
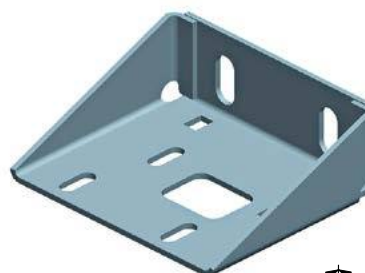


1.3

Кронштейн

Предназначен для крепления узла направляющего переднего. Используется в гаражных воротах с торсионными пружинами низкого типа монтажа.

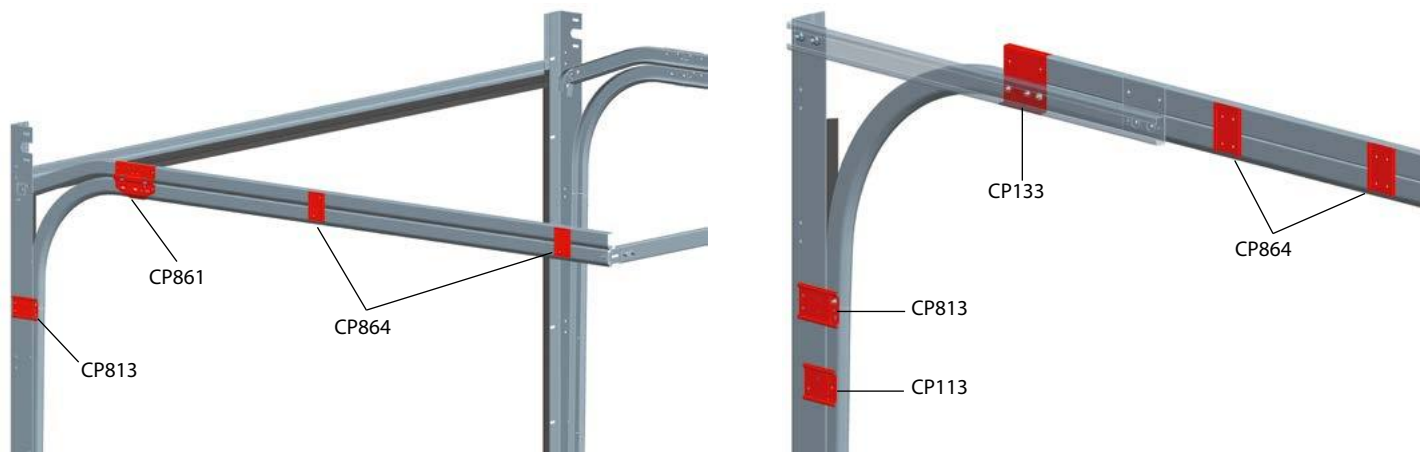
Материал.....оцинкованная сталь
 Вес, кг/шт..... 0,23
 Единица измеренияшт.
 Норма поставки, шт.....60



Арт.	Код	Примечание	Розничная цена, евро с НДС
B-180TLL	402630500	Левый	4,20
B-180TLR	402630600	Правый	4,20

КРОНШТЕЙНЫ И ПЛАСТИНЫ СОЕДИНИТЕЛЬНЫЕ

УСТАНОВКА ПЛАСТИН СОЕДИНИТЕЛЬНЫХ

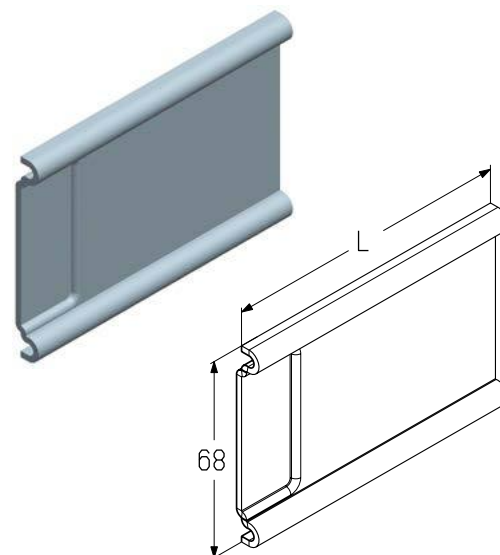


Пластина соединительная

Предназначена для соединения профиля углового с профилем направляющим (вертикальным). Используется в промышленных воротах всех типов монтажа.

Материал.....оцинкованная сталь
Единица измеренияшт.

Арт.	Код	Длина (L), мм	Вес, кг/шт.	Норма поставки, шт.	Розничная цена, евро с НДС
CP113-80	402810100	80	0,096	200	0,90
CP113-100	402810200	100	0,12	200	1,05
CP113-120	402810300	120	0,144	170	1,20
CP113-130	402810400	130	0,156	120	1,30
CP113-150	402810500	150	0,18	120	1,45
CP113-180	402810600	180	0,216	110	1,65

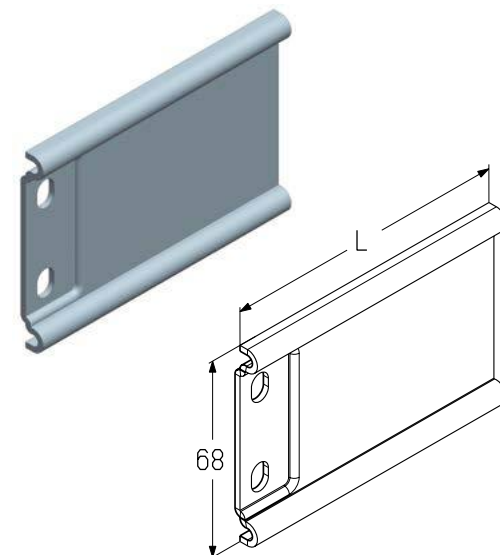


Пластина соединительная

Предназначена для соединения профиля углового с профилем направляющим (вертикальным). Используется в промышленных воротах всех типов монтажа.

Материал.....оцинкованная сталь
Единица измеренияшт.

Арт.	Код	Длина (L), мм	Вес, кг/шт.	Норма поставки, шт.	Розничная цена, евро с НДС
CP813-100	402810700	100	0,119	220	1,15
CP813-120	402810800	120	0,142	170	1,30
CP813-150	402810900	150	0,176	120	1,55
CP813-180	402811000	180	0,214	110	1,85

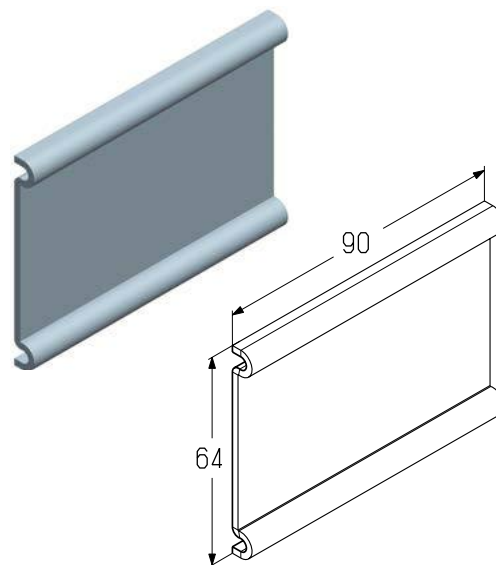


КРОНШТЕЙНЫ И ПЛАСТИНЫ СОЕДИНИТЕЛЬНЫЕ
Пластина соединительная

Предназначена для соединения горизонтальных направляющих.
Используется в промышленных воротах всех типов монтажа.

Материал.....оцинкованная сталь
 Вес, кг/шт.....0,112
 Единица измеренияшт.
 Норма поставки, шт.....170

Арт.	Код	Розничная цена, евро с НДС
CP864	402811200	1,10



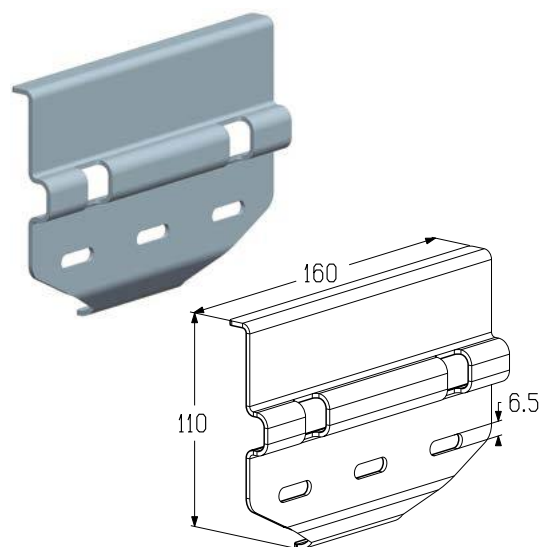
1.3

Пластина соединительная передняя

Предназначена для соединения горизонтальной направляющей с элементом радиусным и узлом направляющим передним. Используется в промышленных воротах низкого и наклонного низкого типов монтажа.

Толщина, мм.....2
 Материал.....оцинкованная сталь
 Вес, кг/шт.....0,294
 Единица измеренияшт.
 Норма поставки, шт.....80

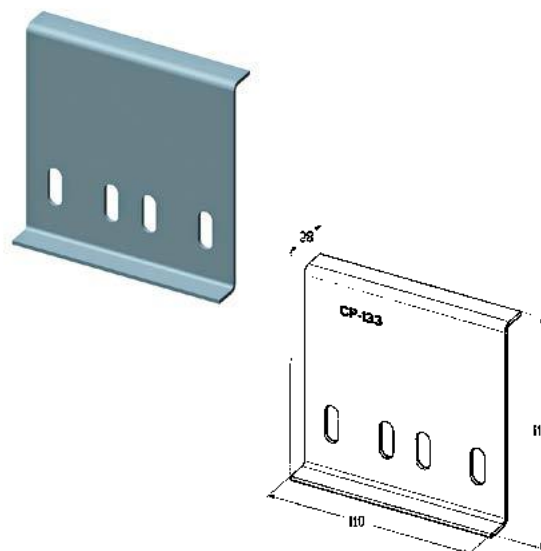
Арт.	Код	Розничная цена, евро с НДС
CP861	402811100	4,45


Пластина соединительная передняя

Предназначена для соединения горизонтальной направляющей с элементом радиусным и узлом направляющим передним.
Используется в промышленных воротах всех типов монтажа (кроме низких).

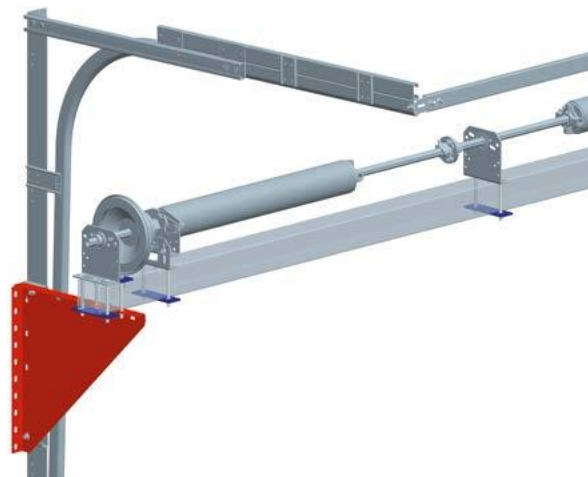
Материал.....оцинкованная сталь
 Вес, кг/шт.....0,215
 Единица измеренияшт.
 Норма поставки, шт.....100

Арт.	Код	Розничная цена, евро с НДС
CP-133	402811900	1,55



КРОНШТЕЙНЫ И ПЛАСТИНЫ СОЕДИНИТЕЛЬНЫЕ

УСТАНОВКА КРОНШТЕЙНА И ПЛАСТИНЫ

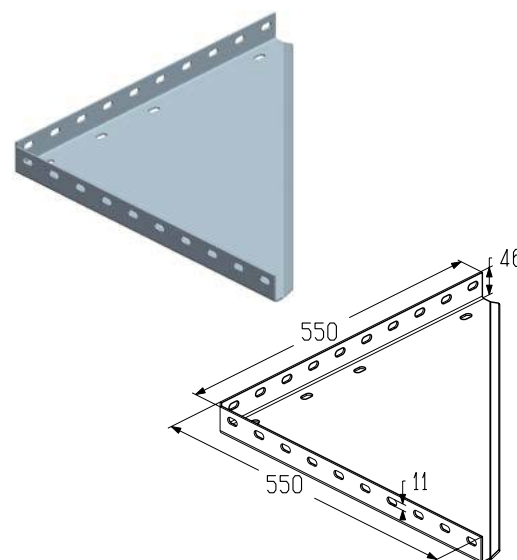


Кронштейн

Предназначен для установки профиля несущего. Используется в промышленных воротах высокого, вертикального, наклонного типов монтажа с нижним расположением вала.

Материал.....оцинкованная сталь
Вес, кг/шт.....4,818
Единица измеренияшт.
Норма поставки, шт. 4

Арт.	Код	Розничная цена, евро с НДС
TP-550	402620000	63,70

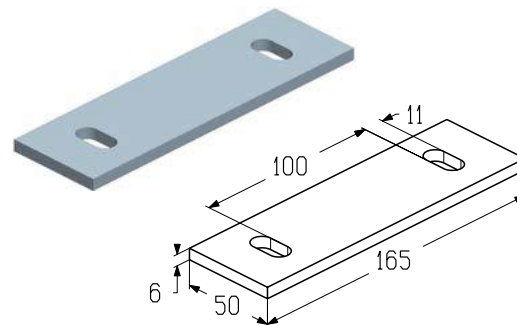


Пластина

Предназначена для фиксации элементов торсионного вала. Используется в промышленных воротах высокого, вертикального, наклонного типов монтажа с нижним расположением вала.

Материал.....оцинкованная сталь
Вес, кг/шт.....0,355
Единица измеренияшт.
Норма поставки, шт.50

Арт.	Код	Розничная цена, евро с НДС
MS-550	402811300	5,00

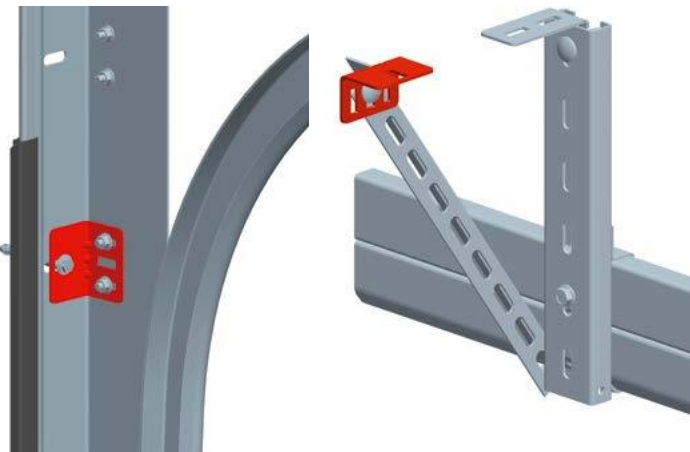


УСТАНОВКА КРОНШТЕЙНА УГЛОВОГО И КРОНШТЕЙНА

Кронштейн угловой



Кронштейн



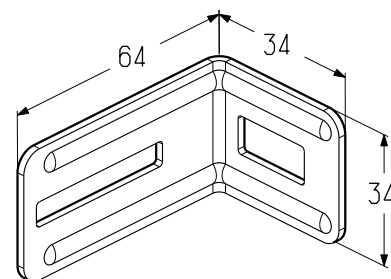
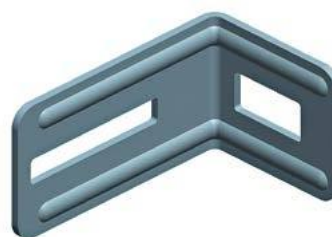
1.3

Кронштейн угловой

Предназначен для крепления профиля углового (PRG-30) к стене.
Используется в гаражных воротах с пружинами растяжения и торсионными пружинами всех типов монтажа.

Материал.....оцинкованная сталь
Вес, кг/шт.....0,048
Единица измеренияшт.
Норма поставки, шт..... 500

Арт.	Код	Розничная цена, евро с НДС
B-3500	402630900	0,90

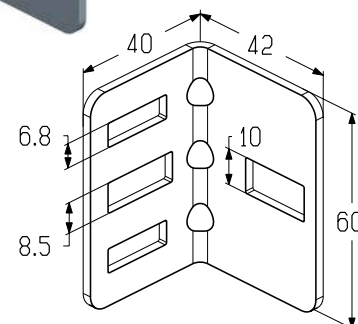
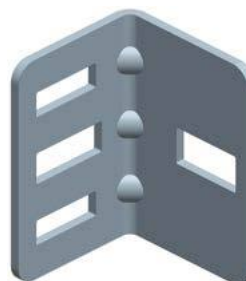


Кронштейн

Предназначен:
• для крепления профиля углового к стене;
• для крепления профиля монтажного (PRG09) и С-профиля (PRG06) к потолку.
Используется в промышленных воротах всех типов монтажа.

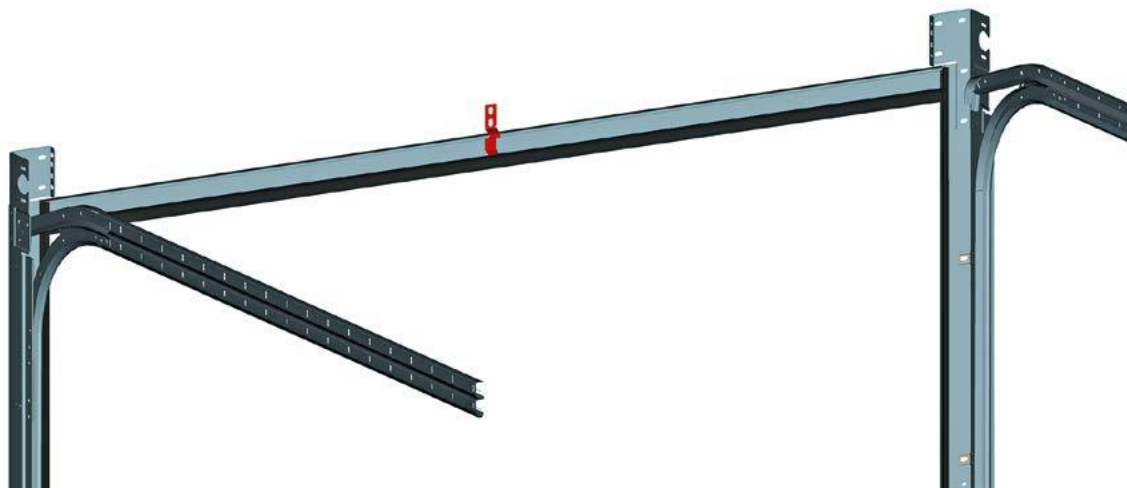
Материал.....оцинкованная сталь
Вес, кг/шт.....0,076
Единица измеренияшт.
Норма поставки, шт..... 280

Арт.	Код	Розничная цена, евро с НДС
B0300	402600400	1,30



КРОНШТЕЙНЫ И ПЛАСТИНЫ СОЕДИНИТЕЛЬНЫЕ

УСТАНОВКА КРОНШТЕЙНА ПРОФИЛЯ ПЕРЕДНЕГО

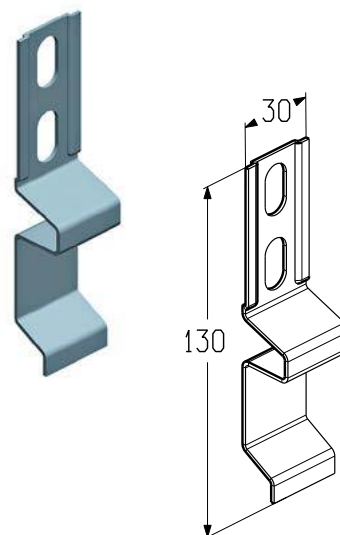


Кронштейн профиля переднего

Предназначен для крепления профиля переднего (PRG-35) к стене.
Используется в гаражных воротах с пружинами растяжения и торсионными пружинами всех типов монтажа.

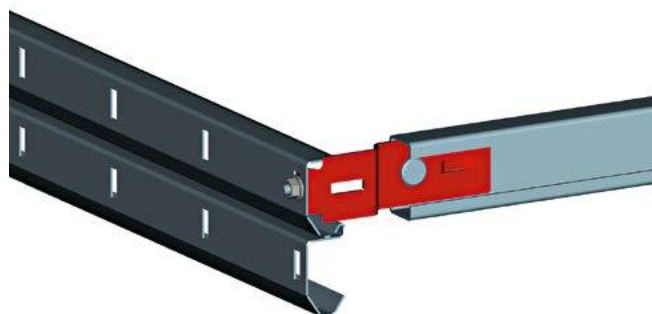
Материал.....оцинкованная сталь
Вес, кг/шт.....0,036
Единица измеренияшт.
Норма поставки, шт..... 320

Арт.	Код	Розничная цена, евро с НДС
B-3509	402600900	1,50

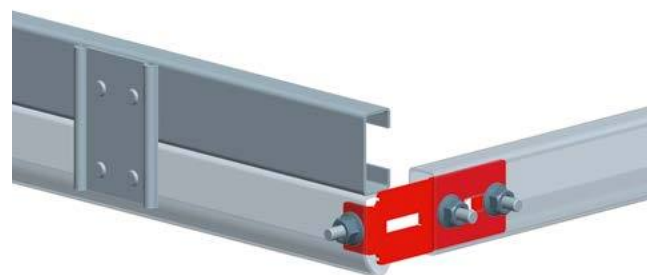


УСТАНОВКА КРОНШТЕЙНА МЕРНОЙ ПЛАНКИ

Кронштейн мерной планки (B-3501)



Кронштейн мерной планки (B802)



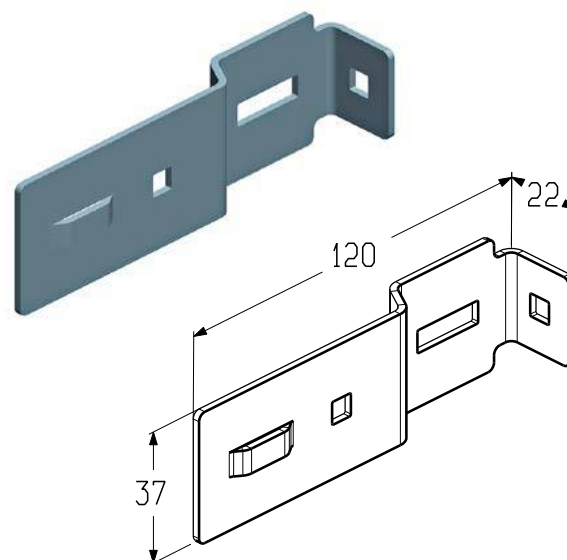
1.3

Кронштейн мерной планки

Предназначен для соединения профиля направляющего (PRG-32) с С-профилем (PRG-33).
Используется в гаражных воротах с пружинами растяжения и торсионными пружинами всех типов монтажа.

Материал оцинкованная сталь
Вес, кг/шт. 0,073
Единица измерения шт.
Норма поставки, шт. 200

Арт.	Код	Розничная цена, евро с НДС
B-3501	402600700	1,40

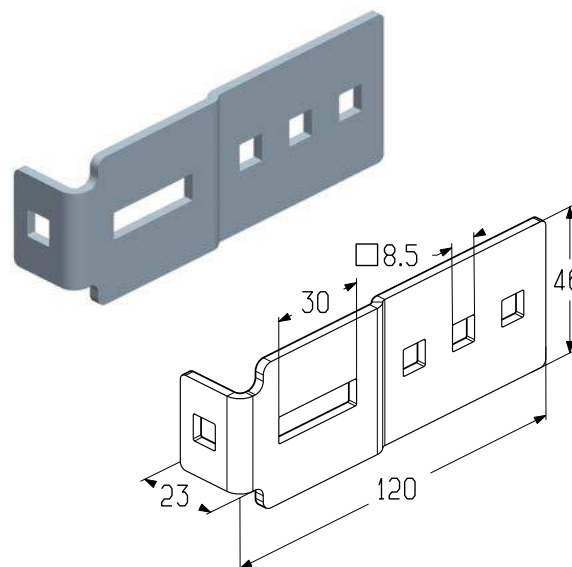


Кронштейн мерной планки

Предназначен для соединения профиля направляющего (горизонтального) с С-профилем (PRG07, PRG07N).
Используется в промышленных воротах всех типов монтажа.

Материал оцинкованная сталь
Вес, кг/шт. 0,102
Единица измерения шт.
Норма поставки, шт. 220

Арт.	Код	Розничная цена, евро с НДС
B802	402620100	2,10



КРОНШТЕЙНЫ И ПЛАСТИНЫ СОЕДИНИТЕЛЬНЫЕ

УСТАНОВКА ПЛАСТИНЫ ОГРАНИЧИТЕЛЬНОЙ

Пластина ограничительная (LP-3514)



Пластина ограничительная (LP-3515)



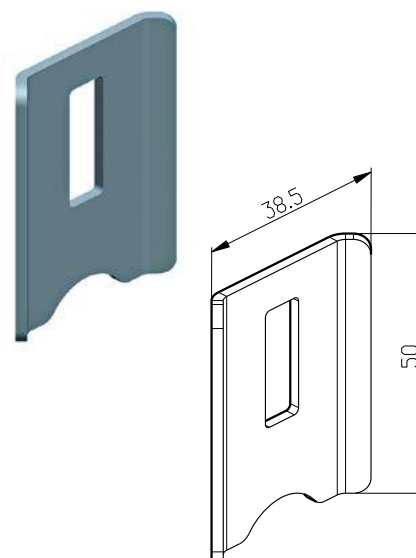
1.3

Пластина ограничительная

Предназначена для установки совместно с профилем угловым (PRG-30) и засовом (SB0100).
Используется в гаражных воротах с пружинами растяжения и торсионными пружинами всех типов монтажа.

Материал оцинкованная сталь
Вес, кг/шт. 0,038
Единица измерения шт.
Норма поставки, шт. 200

Арт.	Код	Розничная цена, евро с НДС
LP-3514	401950100	0,80

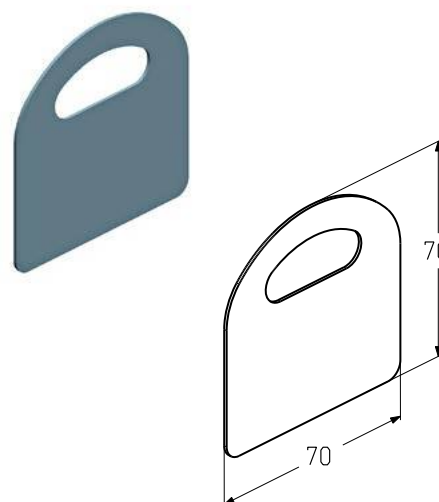


Пластина ограничительная

Предназначена для установки совместно с профилем угловым (PRG-30).
Используется в гаражных воротах с пружинами растяжения и торсионными пружинами всех типов монтажа.

Материал ABS
Вес, кг/шт. 0,004
Единица измерения шт.
Норма поставки, шт. 2000

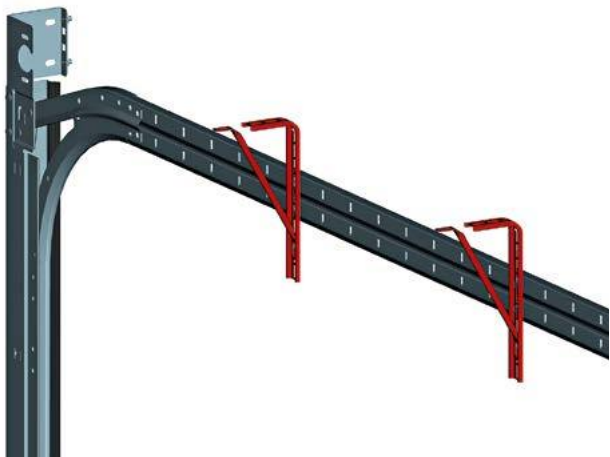
Арт.	Код	Розничная цена, евро с НДС
LP-3515	401950200	0,40



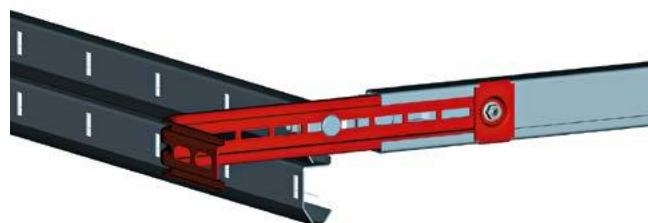
СИСТЕМА ПОДВЕСА ГОРИЗОНТАЛЬНЫХ НАПРАВЛЯЮЩИХ

УСТАНОВКА ПОДВЕСА И ФИКСАТОРА РАСКОСА ДЛЯ ГАРАЖНЫХ ВОРОТ

Крепление профиля направляющего
(горизонтального)



Крепление С-профиля
(мерной планки)



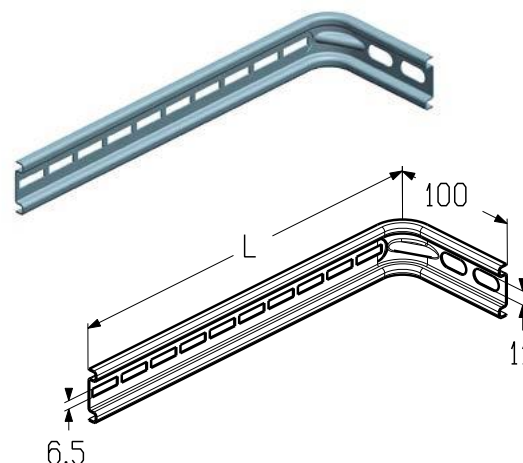
1.3

Подвес

Предназначен для изготовления системы подвеса горизонтальных направляющих. Используется в гаражных воротах с пружинами растяжения и торсионными пружинами всех типов монтажа.

Материал.....оцинкованная сталь
Единица измеренияшт.

Арт.	Код	Длина, мм	Вес, кг/шт.	Норма поставки, шт.	Розничная цена, евро с НДС
ТВ-191Т-300	402610900	300	0,20	100	3,10
ТВ-191Т-500	402611000	500	0,30	60	4,20
ТВ-191Т-800	402611100	800	0,46	40	6,40
ТВ-191Т-1000	402611200	1000	0,56	40	8,60

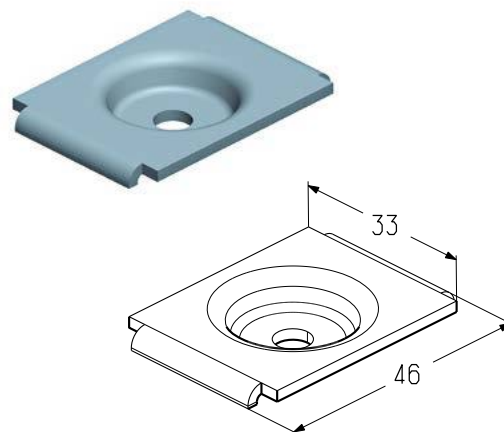


Фиксатор раскоса

Предназначен для крепления подвеса (ТВ-191Т) к кронштейну мерной планки (В-3501). Используется в гаражных воротах с пружинами растяжения и торсионными пружинами всех типов монтажа.

Материал.....оцинкованная сталь
Вес, кг/шт.....0,02
Единица измеренияшт.
Норма поставки, шт.....600

Арт.	Код	Розничная цена, евро с НДС
ТВ-194Т	402611900	0,60



СИСТЕМА ПОДВЕСА ГОРИЗОНТАЛЬНЫХ НАПРАВЛЯЮЩИХ

УСТАНОВКА ФИКСАТОРА ПОДВЕСА

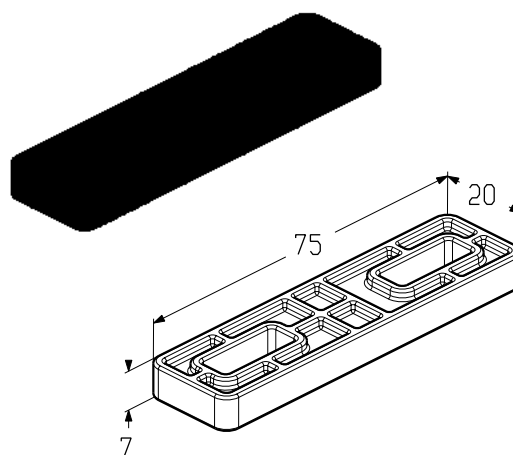


Фиксатор подвеса

Предназначен для крепления подвеса (ТВ-191Т) к профилю направляющему (PRG-32).
Используется в гаражных воротах с пружинами растяжения и торсионными пружинами всех типов монтажа.

Материал.....полиамид
Вес, кг/шт.....0,007
Единица измеренияшт.
Норма поставки, шт.....1250

Арт.	Код	Розничная цена, евро с НДС
ТВ-192Т	402611300	0,85

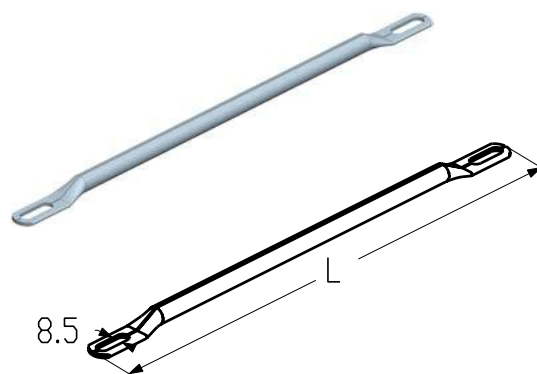


Раскос

Предназначен для изготовления системы подвеса.
Используется в гаражных воротах с пружинами растяжения и торсионными пружинами всех типов монтажа.

Материал.....оцинкованная сталь
Единица измеренияшт.
Норма поставки, шт.....400

Арт.	Код	Длина, мм	Вес, кг/шт.	Розничная цена, евро с НДС
ТВ193S-330	402910600	330	0,082	2,00
ТВ193S-680	402910700	680	0,190	4,50
ТВ193S-910	402910800	910	0,261	5,50



СИСТЕМА ПОДВЕСА ГОРИЗОНТАЛЬНЫХ НАПРАВЛЯЮЩИХ

УСТАНОВКА ТЕЛЕСКОПИЧЕСКОГО ПОДВЕСА

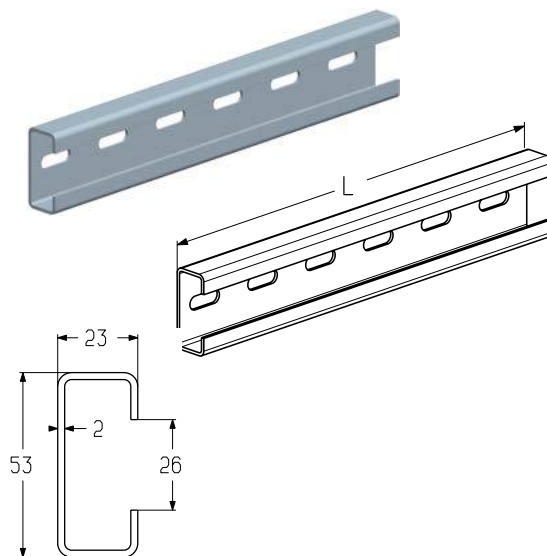


Кронштейн подвеса

Предназначен для изготовления системы телескопического подвеса. Используется в промышленных воротах всех типов монтажа.

Материал оцинкованная сталь
Единица измерения шт.
Норма поставки, шт. 100

Арт.	Код	Длина (L), мм	Вес, кг/шт.	Розничная цена, евро с НДС
TB607-300	402610000	300	0,48	2,50
TB607-500	402610100	500	0,80	4,00
TB607-800	402610200	800	1,28	6,50
TB607-1000	402610300	1000	1,60	8,00
TB607-1500	402610400	1500	2,40	12,00

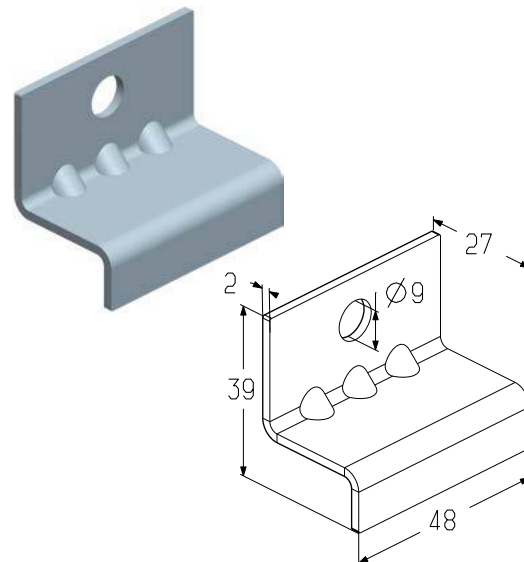


Кронштейн монтажный

Предназначен для подвеса горизонтальных направляющих. Устанавливается совместно с кронштейном (ТВ006). Используется в промышленных воротах низкого и наклонного низкого типов монтажа.

Материал оцинкованная сталь
Вес, кг/шт. 0,038
Единица измерения шт.
Норма поставки, шт. 500

Арт.	Код	Розничная цена, евро с НДС
TB603	402620200	0,80



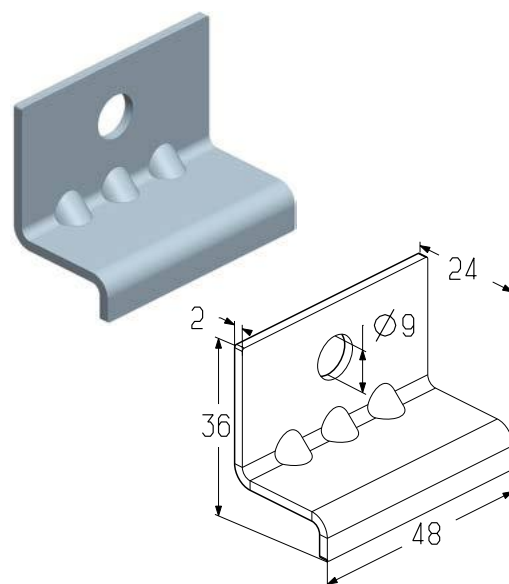
СИСТЕМА ПОДВЕСА ГОРИЗОНТАЛЬНЫХ НАПРАВЛЯЮЩИХ

Кронштейн монтажный

Предназначен для подвеса горизонтальных направляющих.
Устанавливается совместно с кронштейном (ТВ006) в промышленных воротах всех типов монтажа, кроме низкого и наклонного низкого.

Материал оцинкованная сталь
Вес, кг/шт. 0,038
Единица измерения шт.
Норма поставки, шт. 500

Арт.	Код	Розничная цена, евро с НДС
ТВ604	402620300	0,80

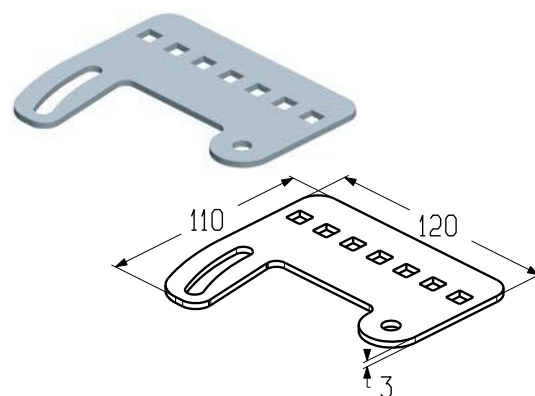


Пластина

Предназначена для подвеса мерной планки.
Устанавливается совместно с кронштейном (ТВ607).
Используется в промышленных воротах низкого монтажа и наклонного низкого типа монтажа с наклоном горизонтальных направляющих до 20°.

Материал оцинкованная сталь
Вес, кг/шт. 0,18
Единица измерения шт.
Норма поставки, шт. 140

Арт.	Код	Розничная цена, евро с НДС
ТВ1922	403490300	4,00

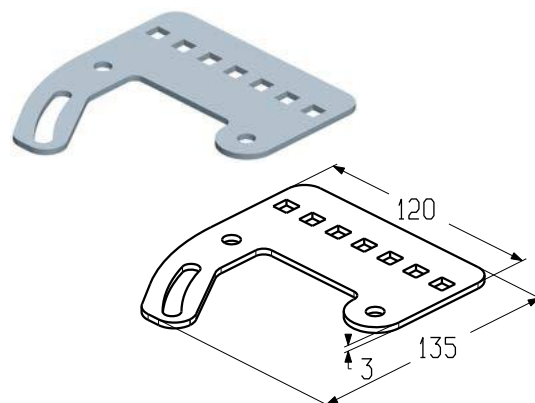


Пластина

Предназначена для подвеса мерной планки.
Устанавливается совместно с кронштейном (ТВ607).
Используется в промышленных воротах наклонного низкого типа монтажа с наклоном горизонтальных направляющих 25-30°.

Материал оцинкованная сталь
Вес, кг/шт. 0,20
Единица измерения шт.
Норма поставки, шт. 45

Арт.	Код	Розничная цена, евро с НДС
ТВ1923	403490400	4,00

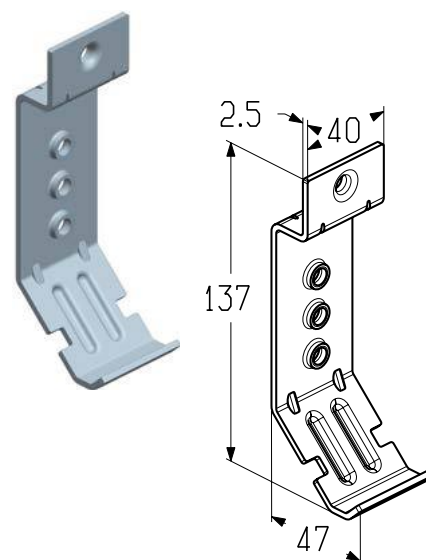


СИСТЕМА ПОДВЕСА ГОРИЗОНТАЛЬНЫХ НАПРАВЛЯЮЩИХ
Кронштейн

Предназначен для подвеса горизонтальных направляющих.
 Устанавливается совместно с кронштейном монтажным (ТВ603) в промышленных воротах низкого и наклонного низкого типов монтажа. Используется для подвеса мерной планки промышленных ворот низкого типа монтажа.
 Устанавливается совместно с кронштейном монтажным (ТВ604) в промышленных воротах всех типов монтажа кроме низкого и наклонного низкого.

Материал.....оцинкованная сталь
 Вес, кг/шт.....0,112
 Единица измеренияшт.
 Норма поставки, шт. 300

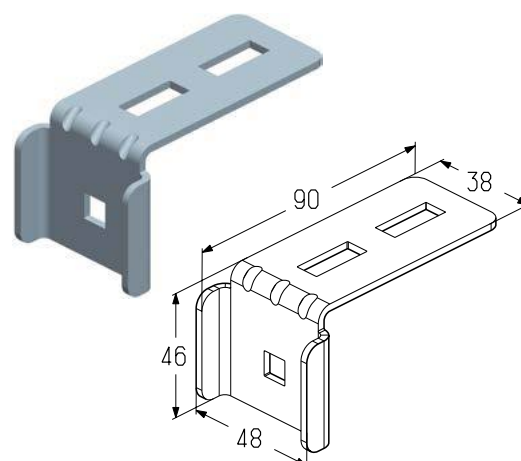
Арт.	Код	Розничная цена, евро с НДС
ТВ006	402610500	2,40


Кронштейн угловой

Предназначен для крепления кронштейна подвеса (ТВ607) к потолку.
 Используется для подвеса горизонтальных направляющих промышленных ворот всех типов монтажа.

Материал.....оцинкованная сталь
 Вес, кг/шт.....0,115
 Единица измеренияшт.
 Норма поставки, шт. 200

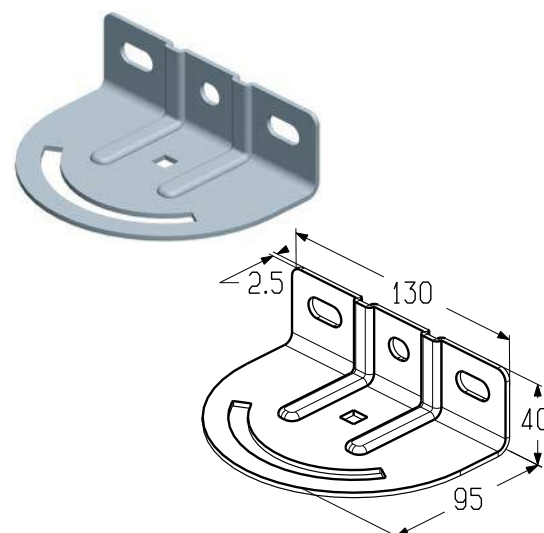
Арт.	Код	Розничная цена, евро с НДС
ТВ007	402630000	2,30


Кронштейн

Предназначен для крепления кронштейна подвеса (ТВ607) к потолку.
 Используется для подвеса мерной планки промышленных ворот наклонного низкого типов монтажа.

Материал.....оцинкованная сталь
 Вес, кг/шт.....0,28
 Единица измеренияшт.
 Норма поставки, шт.45

Арт.	Код	Розничная цена, евро с НДС
ТВ1924	403490500	4,20



СИСТЕМА ПОДВЕСА ГОРИЗОНТАЛЬНЫХ НАПРАВЛЯЮЩИХ

Профиль монтажный

Предназначен для усиления телескопического подвеса.

Устанавливается совместно с кронштейном подвеса

(ТВ607-300, ТВ607-500, ТВ607-800).

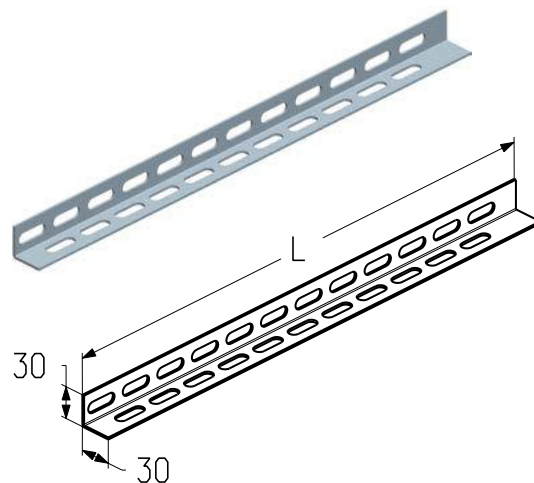
Используется в промышленных воротах всех типов монтажа.

Материал Оцинкованная сталь

Вес, кг/м 0,614

Единица измерения М

Арт.	Код	Длина (L), мм	Норма поставки		Розничная цена, евро с НДС
			м	шт.	
PRG09	402410400	1160	92,8	80	5,00
		1480	118,4	80	5,00
		1800	144	80	5,00
		3000	240	80	5,00



С-профиль

Перфорированный, предназначен для усиления телескопического подвеса.

Устанавливается совместно с кронштейном подвеса (ТВ607-1000, ТВ607-1500).

Используется в промышленных воротах всех типов монтажа.

Длина, мм 2150

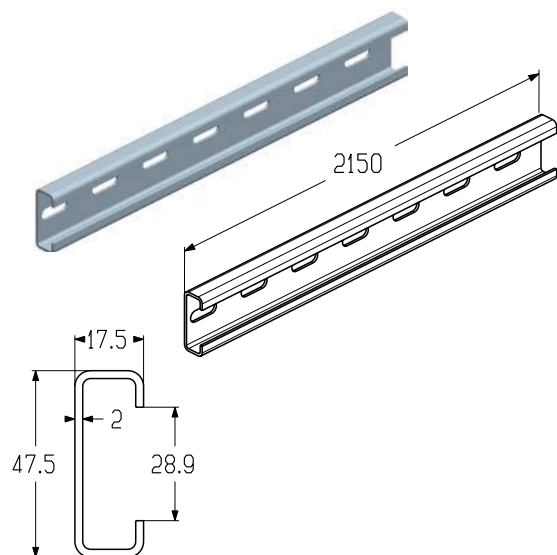
Материал Оцинкованная сталь

Вес, кг/м 1,38

Единица измерения М

Норма поставки, м 107,5

Арт.	Код	Розничная цена, евро с НДС
PRG06	402421700	6,30



УСТАНОВКА ДЕМПФЕРА



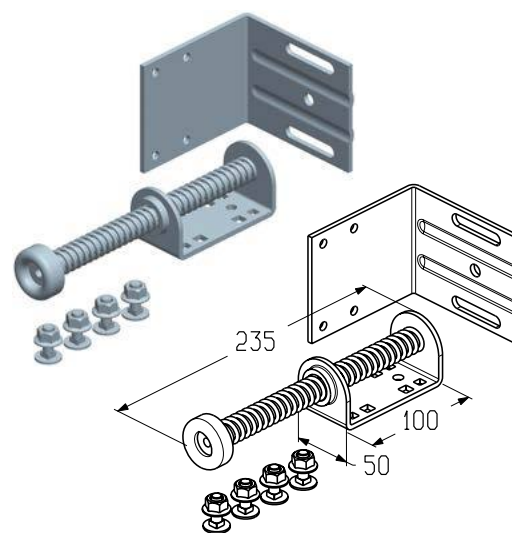
Демпфер

Предназначен для ограничения перемещения полотна промышленных ворот. Используется в промышленных воротах:

- без электропривода (цепного редуктора) стандартного типа монтажа;
- с навальным электроприводом (цепным редуктором) наклонного низкого типа монтажа;
- высокого, вертикального, наклонного высоко типов монтажа с верхним и нижним расположением вала; наклонного типа монтажа (для всех типов управления ворот).

Длина, мм 235
 Материал оцинкованная сталь
 Вес, кг/шт. 1,15
 Единица измерения шт.
 Норма поставки, шт. 60

Арт.	Код	Розничная цена, евро с НДС
SB-235	402910000	15,00

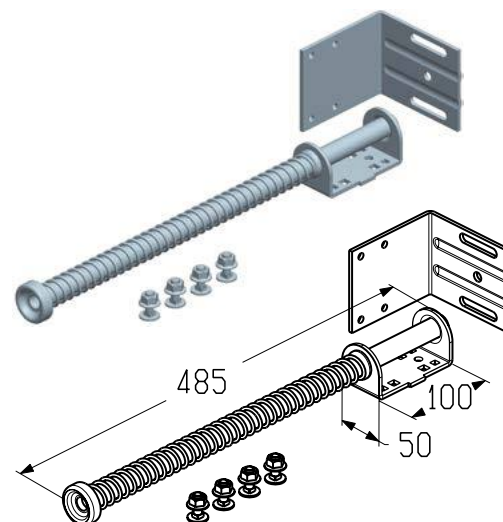


Демпфер

Предназначен для ограничения перемещения полотна промышленных ворот. Используется в промышленных воротах с навальным электроприводом и цепным редуктором стандартного и низкого типов монтажа.

Длина, мм 485
 Материал оцинкованная сталь
 Вес, кг/шт. 1,5
 Единица измерения шт.
 Норма поставки, шт. 30

Арт.	Код	Розничная цена, евро с НДС
SB-485	402910100	17,00



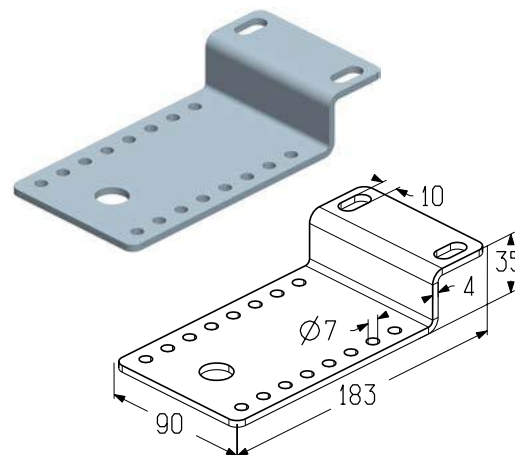
ОГРАНИЧИТЕЛИ ХОДА ПОЛОТНА

Кронштейн для демпфера

Предназначен для установки демпфера (SB-235, SB-485).
Используется в промышленных воротах низкого и наклонного низкого типов монтажа.

Материал оцинкованная сталь
Вес, кг/шт. 0,554
Единица измерения шт.
Норма поставки, шт. 40

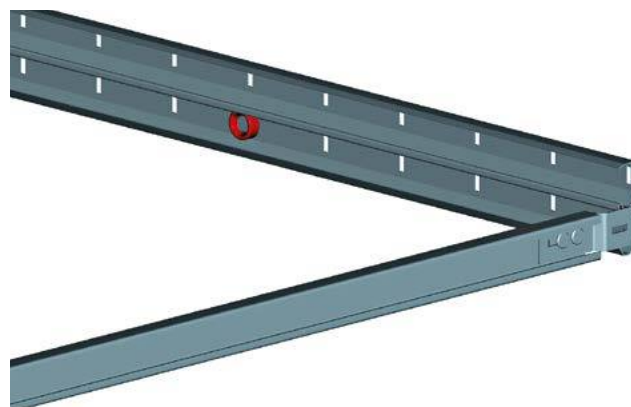
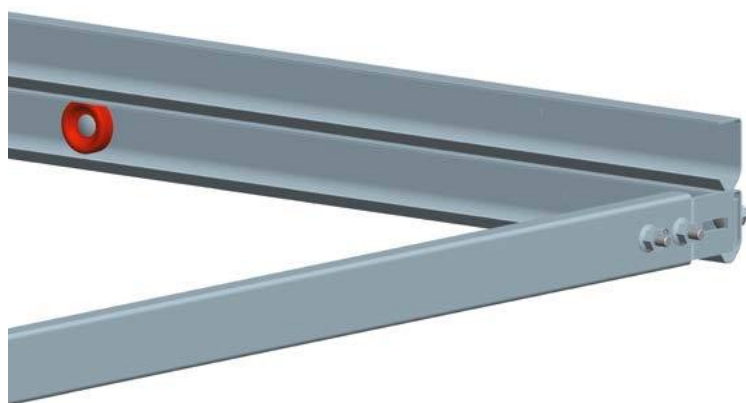
Арт.	Код	Розничная цена, евро с НДС
BSB0302	402600500	9,50



УСТАНОВКА ОГРАНИЧИТЕЛЯ И ДЕМПФЕРА

Ограничитель

Демпфер



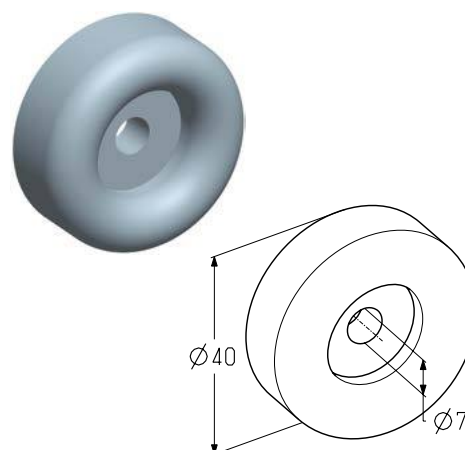
1.3

Ограничитель

Предназначен для ограничения перемещения полотна промышленных ворот. Используется в промышленных воротах низкого и наклонного низкого типов монтажа с ручным управлением и с реечным электроприводом.

Материал ТРЕ
 Вес, кг/шт. 0,03
 Единица измерения шт.
 Норма поставки, шт. 200

Арт.	Код	Розничная цена, евро с НДС
RS0301	402910200	1,40

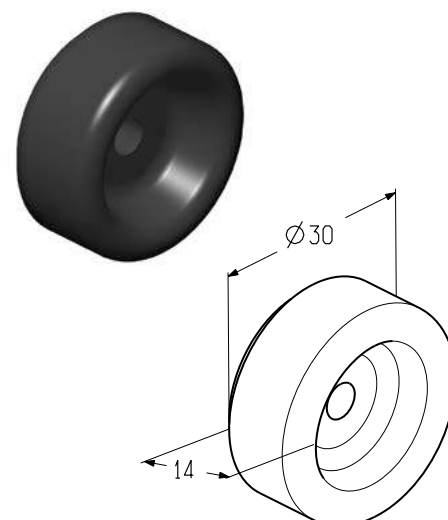


Демпфер

Предназначен для ограничения перемещения полотна гаражных ворот с пружинами растяжения и торсионными пружинами всех типов монтажа с автоматическим управлением.

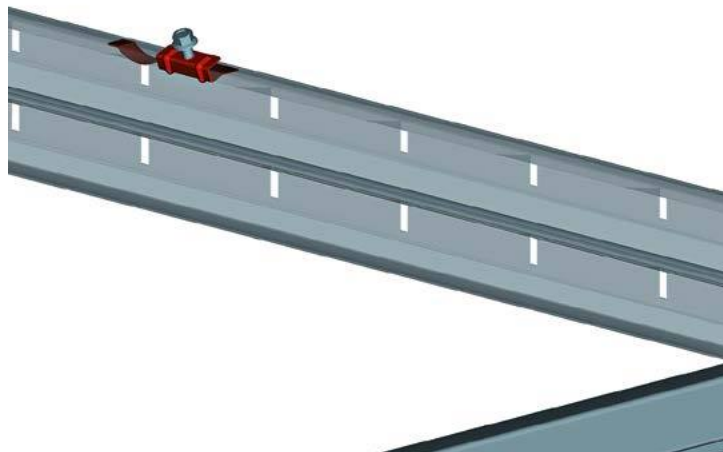
Материал EPDM
 Вес, кг/шт. 0,012
 Единица измерения шт.
 Норма поставки, шт. 1800

Арт.	Код	Розничная цена, евро с НДС
RS-3516	402911600	1,40



ОГРАНИЧИТЕЛИ ХОДА ПОЛОТНА

УСТАНОВКА ФИКСАТОРА

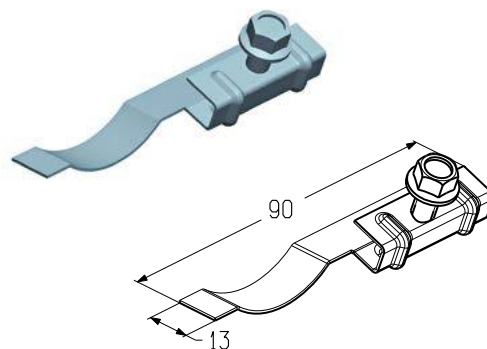


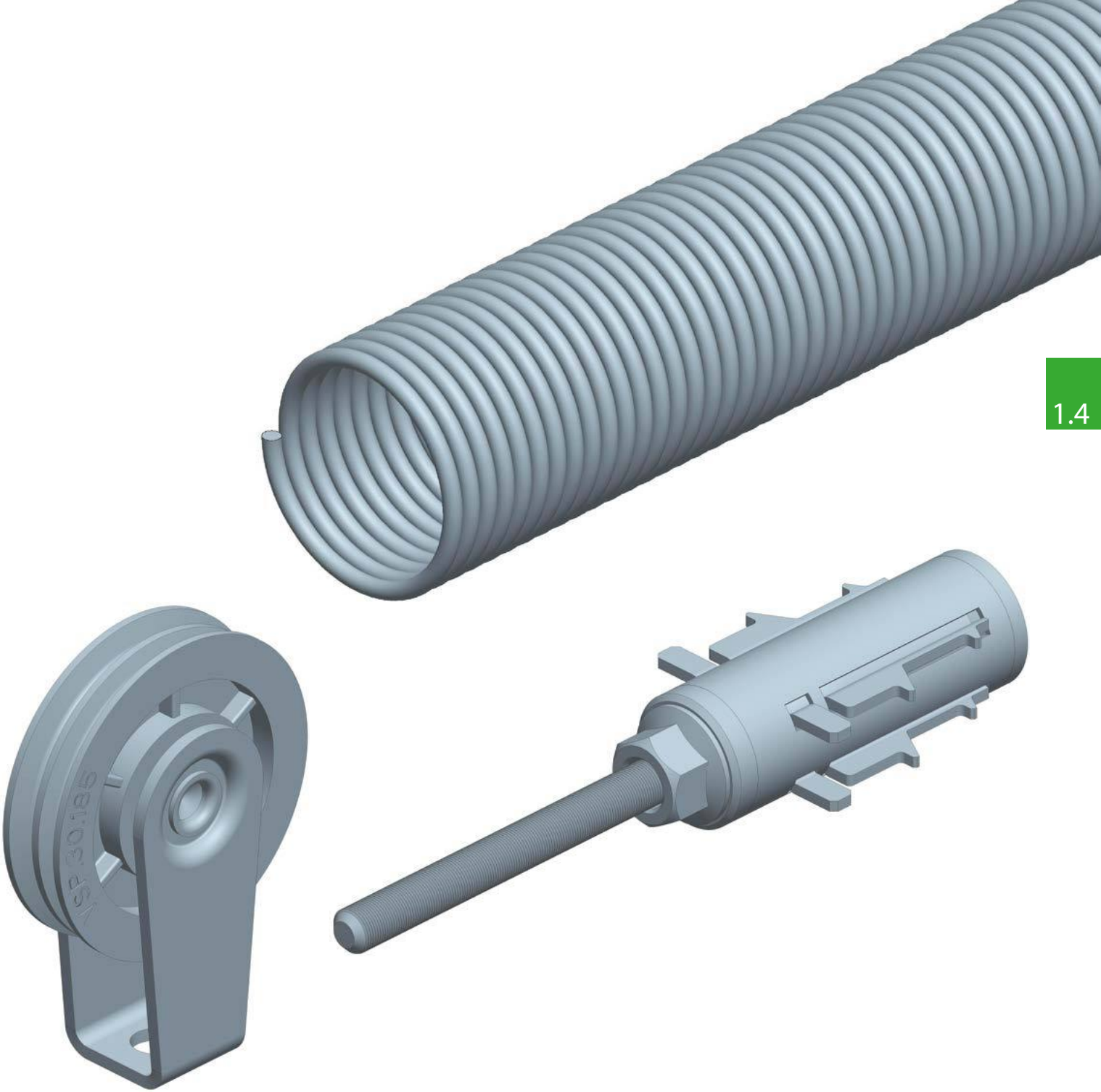
Фиксатор

Предназначен для ограничения перемещения полотна гаражных ворот.
Используется в гаражных воротах с пружинами растяжения и торсионными пружинами всех типов монтажа с ручным управлением.

Материалпружинная сталь
Вес, кг/шт..... 0,05
Единица измеренияшт.
Норма поставки, шт. 800

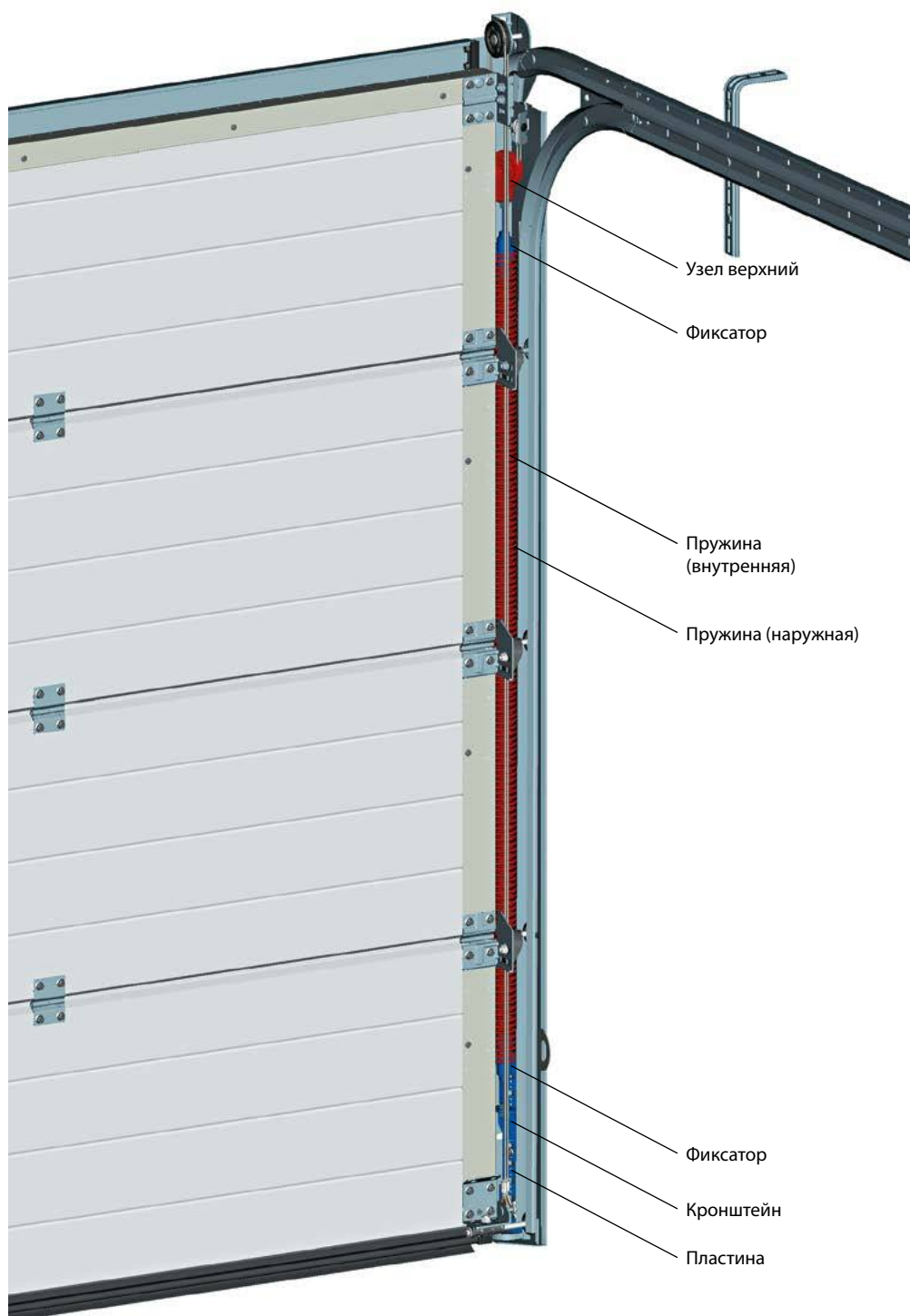
Арт.	Код	Розничная цена, евро с НДС
LHT-3004	402911700	1,10





СИСТЕМА БАЛАНСИРОВКИ

ТИПОВАЯ КОНСТРУКЦИЯ СИСТЕМЫ БАЛАНСИРОВКИ ГАРАЖНЫХ ВОРОТ С ПРУЖИНАМИ РАСТЯЖЕНИЯ



СИСТЕМА БАЛАНСИРОВКИ — ПРУЖИНЫ РАСТЯЖЕНИЯ

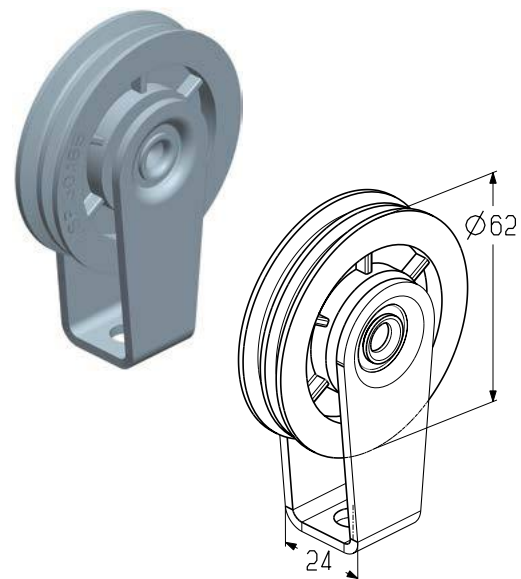
Узел верхний

- Предназначен для:
- установки троса;
 - крепления фиксатора (SH220S).

Используется в гаражных воротах с пружинами растяжения.

Материал.....оцинкованная сталь
 Вес, кг/шт.....0,135
 Единица измеренияшт.
 Норма поставки, шт.....100

Арт.	Код	Розничная цена, евро с НДС
US230S	402300400	7,00

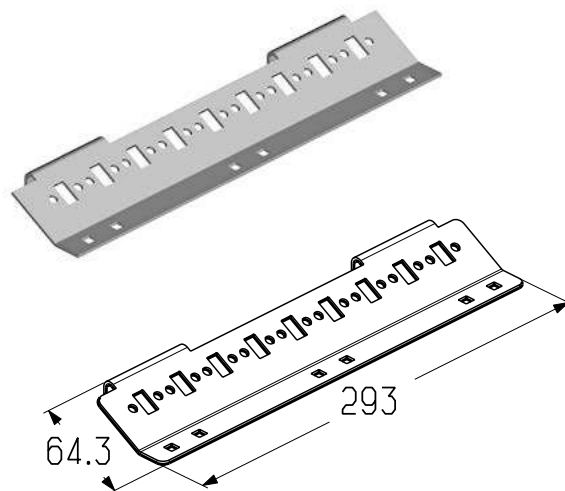


Пластина

Предназначена для регулировки натяжения пружин совместно с кронштейном (SB212S).
 Используется в гаражных воротах с пружинами растяжения.

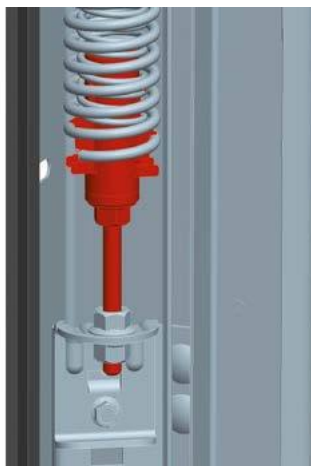
Материал.....оцинкованная сталь
 Вес, кг/шт.....0,293
 Единица измеренияшт.
 Норма поставки, шт.....50

Арт.	Код	Розничная цена, евро с НДС
SP-230T	402812600	4,80



УСТАНОВКА ФИКСАТОРА И КРОНШТЕЙНА

Фиксатор SH220S



Кронштейн SB212S

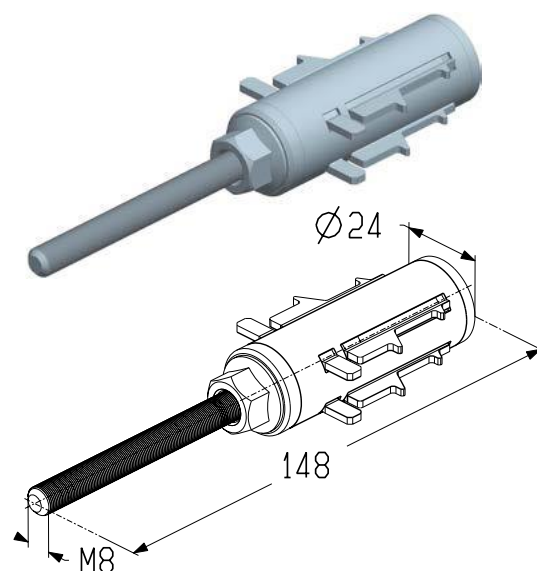


Фиксатор

Предназначен для крепления пружин.
Используется в гаражных воротах с пружинами растяжения.

Материал.....оцинкованная сталь
Вес, кг/шт.....0,210
Единица измеренияшт.
Норма поставки, шт.....80

Арт.	Код	Розничная цена, евро с НДС
SH220S	402910500	8,50

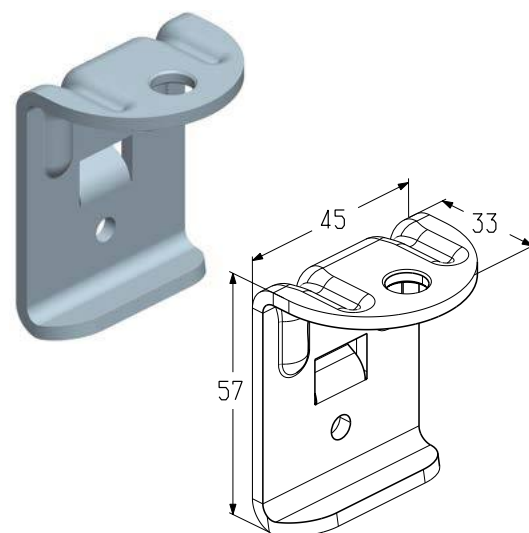


Кронштейн

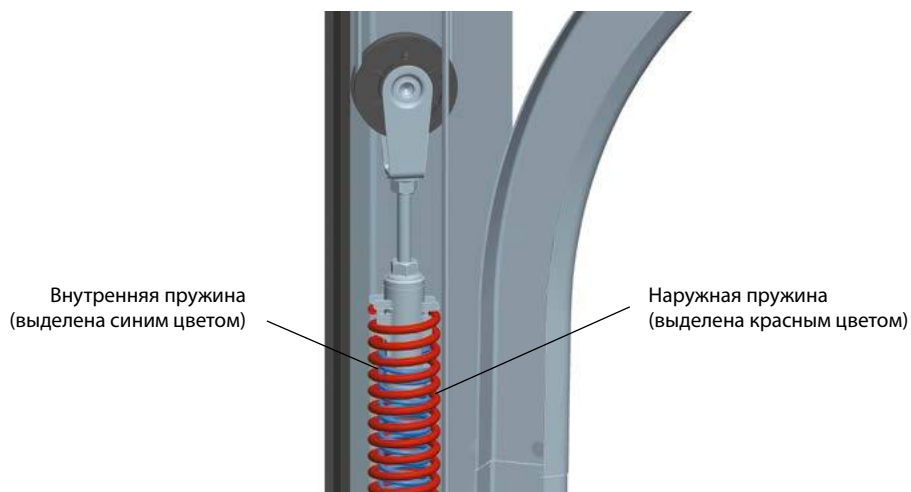
Предназначен для регулировки натяжения пружин совместно с пластиной (SP-230T).
Используется в гаражных воротах с пружинами растяжения.

Материал.....оцинкованная сталь
Вес, кг/шт.....0,930
Единица измеренияшт.
Норма поставки, шт.....200

Арт.	Код	Розничная цена, евро с НДС
SB212S	402600600	1,50



УСТАНОВКА ВНУТРЕННЕЙ И НАРУЖНОЙ ПРУЖИН



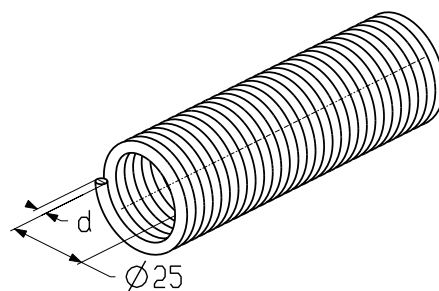
Внутренняя пружина
(выделена синим цветом)

Наружная пружина
(выделена красным цветом)

Пружина (внутренняя)

Предназначена для балансировки полотна гаражных ворот с пружинами растяжения.

Внутренний диаметр, мм25
 Длина, мм1500
 Материал оцинкованная сталь
 Единица измерениям

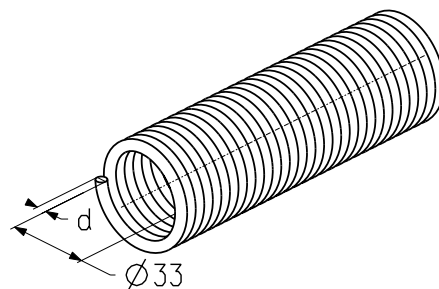


Арт.	Код	d, мм	Вес, кг/м	Цвет торца пружины	Норма поставки		Розничная цена, евро с НДС
					м	шт.	
TN26×25VT×2000R	403322100	2,6	1,38	RAL4006	20,00	10	17,70
TN28×25BR×1150L	403320800	2,8	1,93	RAL8003	11,50	10	19,00
TN30×25WH×1075L	403320500	3,0	1,62	RAL9003	10,75	10	20,00
TN32×25YL×1120L	403321900	3,2	1,74	RAL1026	11,20	10	24,00
TN32×25YL×1400L	403321000	3,2	1,74	RAL1026	14,00	10	24,00
TN34×25RD×1400L	403321100	3,4	1,86	RAL3000	14,00	10	24,00

Пружина (наружная)

Предназначена для балансировки полотна гаражных ворот с пружинами растяжения.

Внутренний диаметр, мм33
 Длина, мм1500
 Материал оцинкованная сталь
 Единица измерениям



Арт.	Код	d, мм	Вес, кг/м	Цвет торца пружины	Норма поставки		Розничная цена, евро с НДС
					м	шт.	
TN26×33RD×2000R	403332400	2,6	1,78	RAL3000	20,00	10	24,00
TN32×33GR×1050R	403331700	3,2	2,23	RAL7000	10,50	10	24,00
TN34×33BL×1375R	403330800	3,4	3,28	RAL5005	13,75	10	24,00
TN36×33OR×850R	403331400	3,6	2,36	RAL2000	8,50	10	31,00
TN36×33OR×1100R	403332200	3,6	2,54	RAL2000	11,00	10	31,00
TN38×33PN×1000R	403331000	3,8	2,69	RAL3014	10,00	10	35,00
TN40×33GN×1100R	403331500	4,0	2,85	RAL6018	11,00	10	35,00
TN42×33BK×1250R	403331600	4,2	3,01	RAL9005	12,50	10	37,00
TN45×33VT×1510R	403332300	4,5	3,47	RAL4006	15,10	10	43,00

УСТАНОВКА КОЖУХА

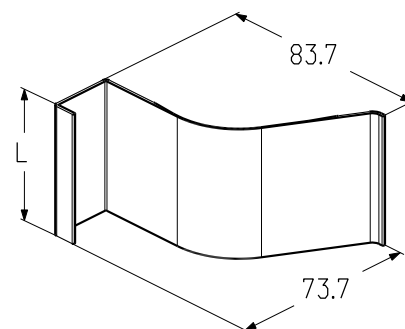


1.4

Кожух

Предназначен для защиты от защемления пальцев.
Устанавливается совместно с пружинным механизмом.
Используется в гаражных воротах с пружинами растяжения.

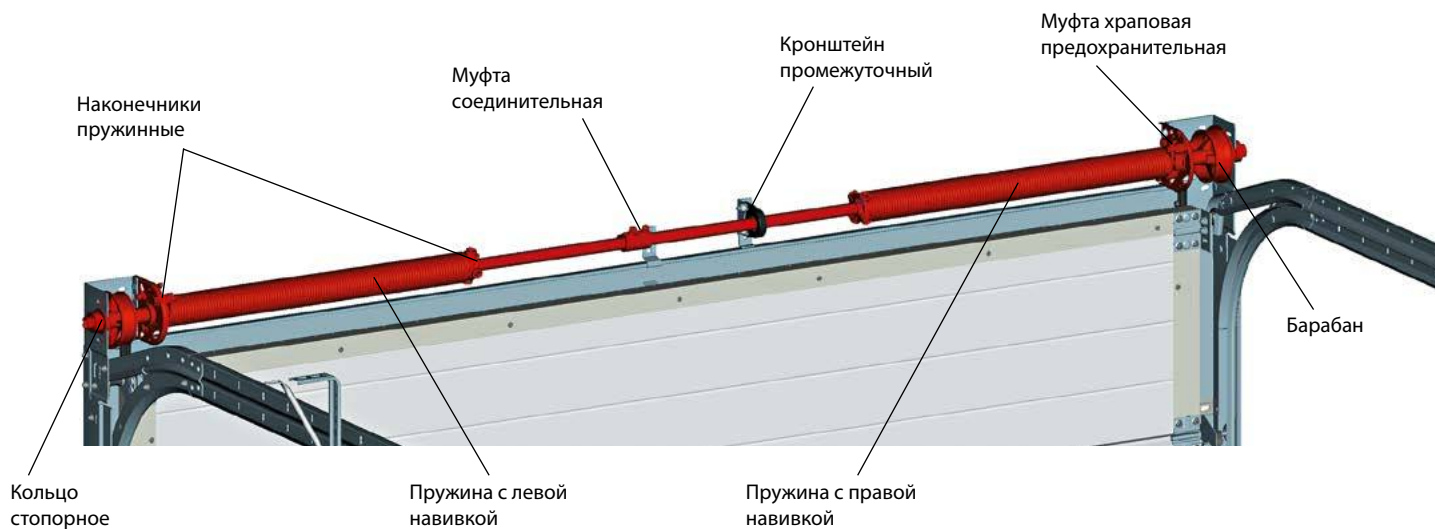
Материал RPVC
 Длина, м 2,5
 Вес, кг/м 0,29
 Единица измерения м
 Норма поставки, м 25



Арт.	Код	Розничная цена, евро с НДС
РС-4506	402911400	6,00

СИСТЕМА БАЛАНСИРОВКИ — ТОРСИОННЫЕ ПРУЖИНЫ

ТИПОВАЯ КОНСТРУКЦИЯ СИСТЕМЫ БАЛАНСИРОВКИ ГАРАЖНЫХ ВОРОТ С ТОРСИОННЫМИ ПРУЖИНАМИ



ТИПОВАЯ КОНСТРУКЦИЯ СИСТЕМЫ БАЛАНСИРОВКИ ПРОМЫШЛЕННЫХ ВОРОТ (ТОРСИОННЫЕ ПРУЖИНЫ)



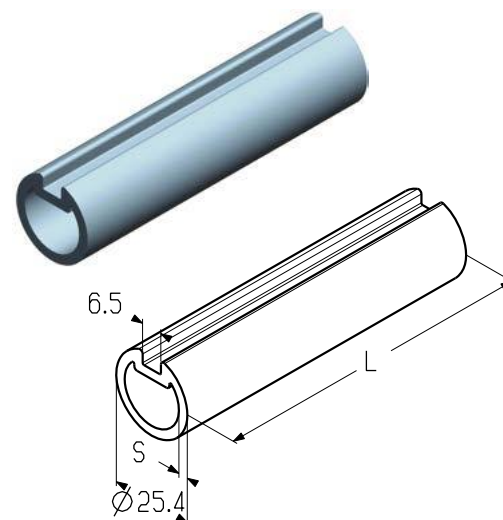
ВАЛЫ И МУФТЫ СОЕДИНИТЕЛЬНЫЕ

Вал

Применяется при массе полотна ворот менее 200 кг.
Используется для гаражных и промышленных ворот всех типов монтажа с торсионными пружинами.

Диаметр вала, мм..... 25,4
Материал..... оцинкованная сталь
Единица измерениям

Арт.	Код	Длина, мм	Вес, кг/м	Норма поставки		Розничная цена, евро с НДС
				м	шт.	
TSH-3000	403220000	3000	1,73	150	50	9,50
TSH-4500	403220100	4500	1,73	225	50	9,50
TSH-5500	403220200	5500	1,73	275	50	9,50



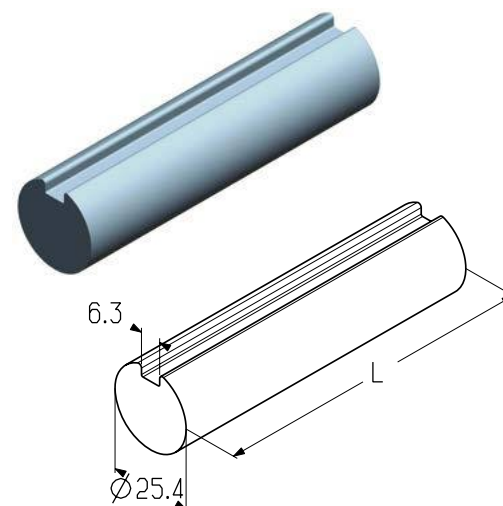
1.4

Вал

Применяется при массе полотна от 200 до 350 кг.
Используется для гаражных и промышленных ворот всех типов монтажа с торсионными пружинами.

Диаметр вала, мм..... 25,4
Материал..... оцинкованная сталь
Вес, кг/м..... 3,80
Единица измерениям

Арт.	Код	Длина, мм	Норма поставки		Розничная цена, евро с НДС
			м	шт.	
TSS-4500	403220500	4500	112,5	25	24,00
TSS-5000	403220300	5000	125	25	24,00

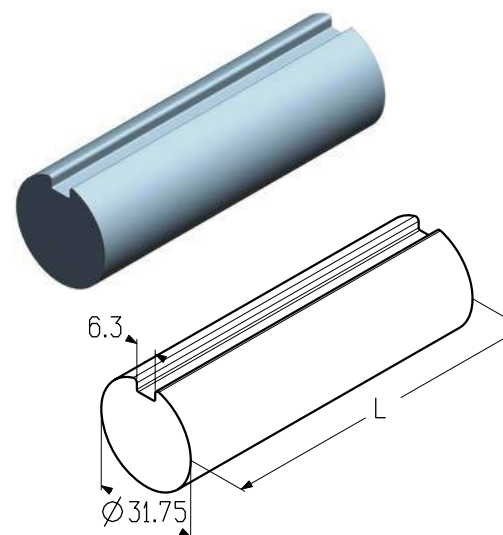


Вал

Применяется при массе полотна свыше 350 кг.
Используется для промышленных ворот всех типов монтажа.

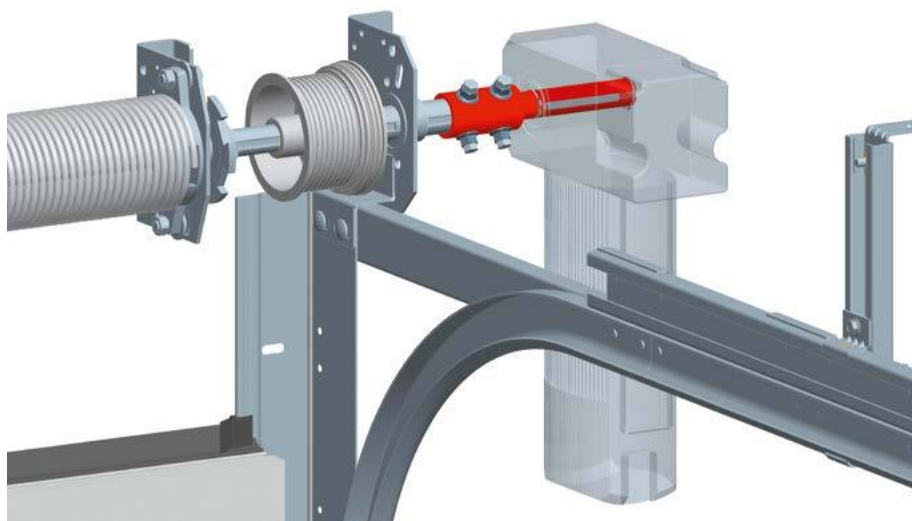
Диаметр вала, мм..... 31,75
Материал..... оцинкованная сталь
Вес, кг/м..... 6,02
Единица измерениям

Арт.	Код	Длина, мм	Норма поставки		Розничная цена, евро с НДС
			м	шт.	
TSS-5/4-3800	403230400	3800	95	25	38,00
TSS-5/4-5800	403230100	5800	145	25	45,00
TSS-5/4-6000	403230200	6000	150	25	78,00



ВАЛЫ И МУФТЫ СОЕДИНИТЕЛЬНЫЕ

УСТАНОВКА АДАПТЕРА ВАЛА



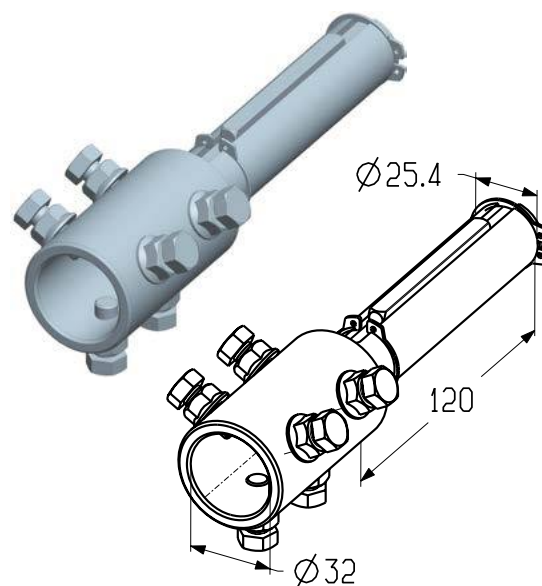
1.4

Адаптер

Предназначен для установки навальных электроприводов Nice и цепного редуктора на вал диаметром 31,75 мм. Используется в промышленных воротах всех типов монтажа.

Материал.....оцинкованная сталь
Вес, кг/шт..... 0,944
Единица измеренияшт.
Норма поставки, шт.....10

Арт.	Код	Розничная цена, евро с НДС
SA-5/4	403720000	35,50

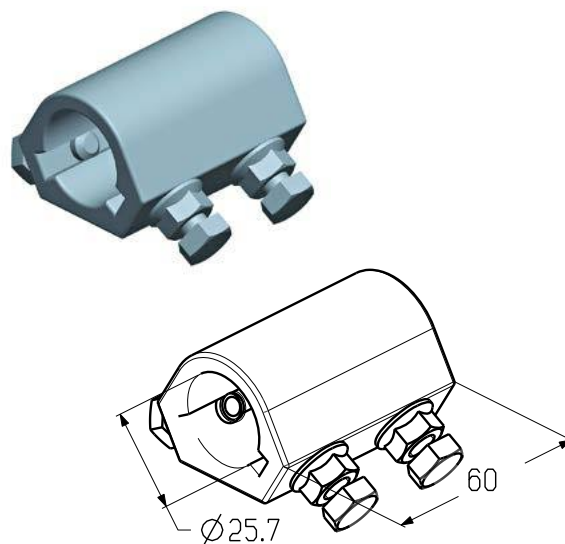


Муфта соединительная

Предназначена для сборки торсионного вала. Используется в гаражных воротах с торсионными пружинами всех типов монтажа.

Материал.....оцинкованная сталь
Вес, кг/шт.....0,387
Единица измеренияшт.
Норма поставки, шт.....40

Арт.	Код	Розничная цена, евро с НДС
NAC-1KW	403710200	10,50

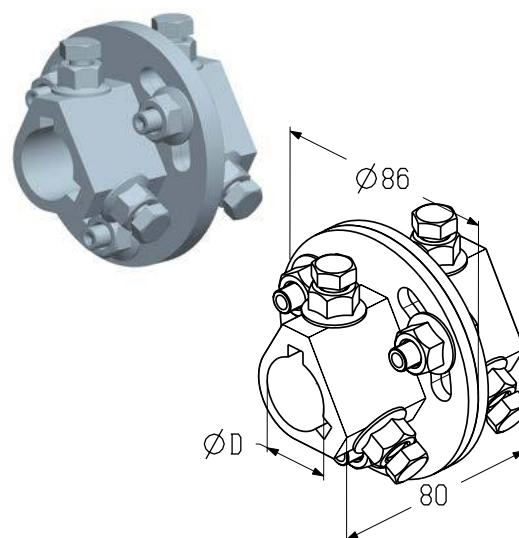


Муфта соединительная

Предназначена для сборки торсионного вала.
 Используется в промышленных воротах всех типов монтажа.

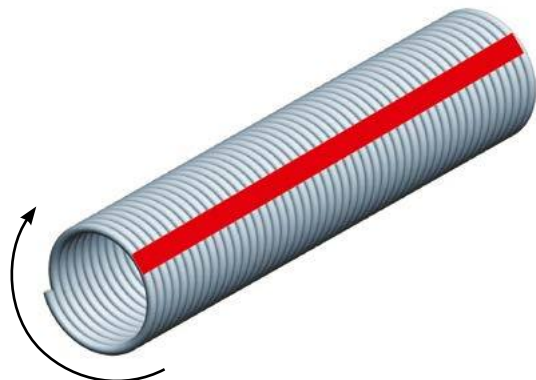
Материал.....оцинкованная сталь
 Единица измеренияшт.

Арт.	Код	Диаметр вала, мм	Вес, кг/шт.	Норма поставки, шт.	Розничная цена, евро с НДС
АС-1	403710000	25,4	0,732	100	21,00
АС-5/4	403710100	31,75	0,7	14	21,00

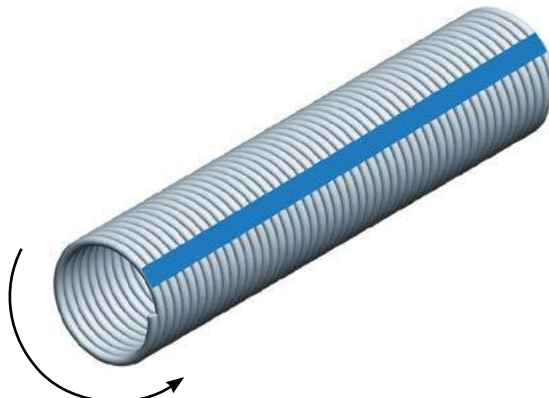


ПРУЖИНЫ И НАКОНЕЧНИКИ ПРУЖИННЫЕ

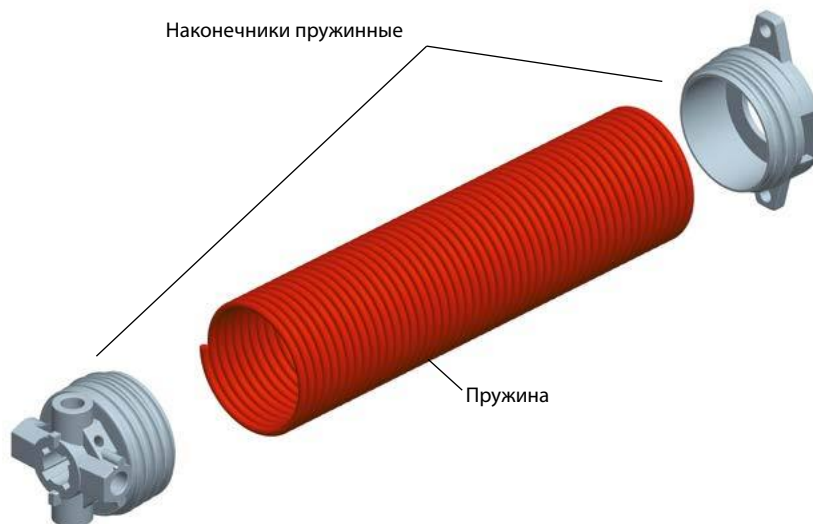
ПРУЖИНА С ЛЕВОЙ НАВИВКОЙ — L
(МАРКИРУЕТСЯ КРАСНЫМ ЦВЕТОМ)



ПРУЖИНА С ПРАВОЙ НАВИВКОЙ — R
(МАРКИРУЕТСЯ ЛЮБЫМ ДРУГИМ ЦВЕТОМ)



СХЕМАТИЧЕСКОЕ ИЗОБРАЖЕНИЕ ПРУЖИНЫ С НАКОНЕЧНИКАМИ ПРУЖИННЫМИ



СХЕМАТИЧЕСКОЕ ИЗОБРАЖЕНИЕ ДУПЛЕКСНОЙ ПРУЖИНЫ

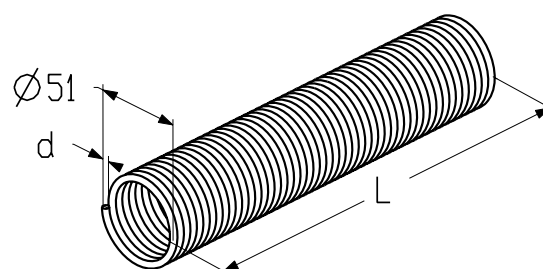


1.4

Пружина

Используется:

- в гаражных воротах с торсионными пружинами всех типов монтажа;
- в промышленных воротах всех типов монтажа.

 Внутренний диаметр, мм51
 Диаметр вала, мм..... 25,4
 Материал..... стальная проволока
 Покрытие..... полимерное
 Цвет.....RAL9006
 Единица измерениям


1.4

Арт.	Код	d, мм	Длина, мм	Вес, кг/м	Норма поставки		Розничная цена, евро с НДС
					м	шт.	
TSA42,5x51x900R	403380000	4,25	900	4,55	4,50	5	50,00
TSA42,5x51x900L	403380100	4,25	900	4,55	4,50	5	50,00
TSA45x51x1100R	403380200	4,5	1100	4,80	5,50	5	53,00
TSA45x51x1100L	403380300	4,5	1100	4,80	5,50	5	53,00
TSA47,5x51x1250R	403380400	4,75	1250	5,00	6,25	5	50,00
TSA47,5x51x1250L	403380500	4,75	1250	5,00	6,25	5	50,00
TSA50x51x1350R	403800100	5,0	1350	5,40	6,75	5	61,00
TSA50x51x1350L	403800200	5,0	1350	5,40	6,75	5	61,00
TSA52,5x51x1400R	403800500	5,25	1400	5,70	7,00	5	65,00
TSA52,5x51x1400L	403800600	5,25	1400	5,70	7,00	5	65,00
TSA52,5x51x1100R	403800300	5,25	1100	5,70	5,50	5	65,00
TSA52,5x51x1100L	403800400	5,25	1100	5,70	5,50	5	65,00
TSA55x51x1400R	403800700	5,5	1400	6,00	7,00	5	68,00
TSA55x51x1400L	403800800	5,5	1400	6,00	7,00	5	68,00
TSA57,5x51x1600R	403800900	5,75	1600	6,35	8,00	5	72,00
TSA57,5x51x1600L	403801000	5,75	1600	6,35	8,00	5	72,00
TSA60x51x1700R	403801100	6,0	1700	6,62	8,50	5	64,00
TSA60x51x1700L	403801200	6,0	1700	6,62	8,50	5	64,00
TSA62,5x51x1800R	403801300	6,25	1800	6,80	9,00	5	79,00
TSA62,5x51x1800L	403801400	6,25	1800	6,80	9,00	5	79,00
TSA65x51x1900R	403801500	6,5	1900	7,24	9,50	5	83,00
TSA65x51x1900L	403801600	6,5	1900	7,24	9,50	5	83,00
TSA70x51x1400R	403382000	7,0	1400	7,70	7,00	5	77,00
TSA70x51x1400L	403382100	7,0	1400	7,70	7,00	5	77,00
TSA70x51x2000R	403384800	7,0	2000	7,70	10,00	5	77,00
TSA70x51x2000L	403384900	7,0	2000	7,70	10,00	5	77,00

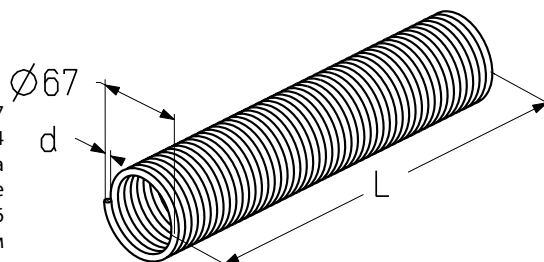
ПРУЖИНЫ И НАКОНЕЧНИКИ ПРУЖИННЫЕ

Пружина

Используется:

- в гаражных воротах с торсионными пружинами всех типов монтажа;
- в промышленных воротах всех типов монтажа.

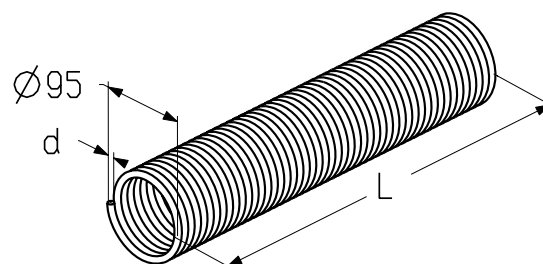
Внутренний диаметр, мм67
 Диаметр вала, мм..... 25,4
 Материал..... стальная проволока
 Покрытие..... полимерное
 Цвет.....RAL9006
 Единица измерениям



Арт.	Код	d, мм	Длина, мм	Вес, кг/м	Норма поставки		Розничная цена, евро с НДС
					м	шт.	
TSA55×67×1200R	403383700	5,5	1200	7,72	6,00	5	76,00
TSA55×67×1200L	403382400	5,5	1200	7,72	6,00	5	76,00
TSA57,5×67×1400R	403382500	5,75	1400	8,10	7,00	5	78,00
TSA57,5×67×1400L	403382600	5,75	1400	8,10	7,00	5	78,00
TSA60×67×1500R	403802700	6,0	1500	8,50	7,50	5	93,00
TSA60×67×1500L	403802800	6,0	1500	8,50	7,50	5	93,00
TSA62,5×67×1700R	403387200	6,25	1700	8,87	8,50	5	100,00
TSA62,5×67×1700L	403387300	6,25	1700	8,87	8,50	5	100,00
TSA65×67×1800R	403802100	6,5	1900	9,25	9,00	5	102,00
TSA65×67×1800L	403802200	6,5	1900	9,25	9,00	5	102,00
TSA70×67×2050R	403802300	7,0	2050	10,00	10,25	5	113,00
TSA70×67×2050L	403802400	7,0	2050	10,00	10,25	5	113,00
TSA75×67×2200R	403802500	7,5	2200	10,90	11,00	5	120,00
TSA75×67×2200L	403802600	7,5	2200	10,90	11,00	5	120,00

Пружина

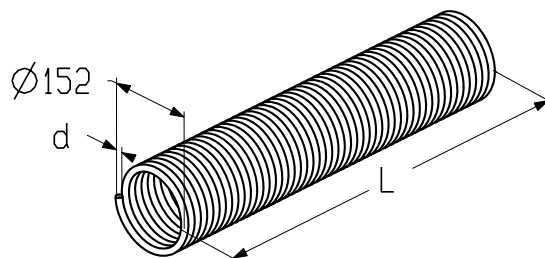
Используется в промышленных воротах всех типов монтаж.

 Внутренний диаметр, мм95
 Диаметр вала, мм..... 25,4/31,75
 Материал..... стальная проволока
 Покрытие..... полимерное
 Цвет..... RAL9006
 Единица измеренияМ


Арт.	Код	d, мм	Длина, мм	Вес, кг/м	Норма поставки		Розничная цена, евро с НДС
					м	шт.	
TSA65×95×1500L	403376300	6,5	1500	12,80	7,50	5	109,00
TSA65×95×1500R	403376200	6,5	1500	12,80	7,50	5	109,00
TSA70×95×1150L	403376500	7,0	1150	13,80	5,75	5	113,00
TSA70×95×1150R	403376400	7,0	1150	13,80	5,75	5	113,00
TSA70×95×1650L	403376700	7,0	1650	13,80	8,25	5	113,00
TSA70×95×1650R	403376600	7,0	1650	13,80	8,25	5	113,00
TSA75×95×1300L	403376900	7,5	1300	14,90	6,50	5	122,00
TSA75×95×1300R	403376800	7,5	1300	14,90	6,50	5	122,00
TSA75×95×1750L	403377100	7,5	1750	14,90	8,75	5	122,00
TSA75×95×1750R	403377000	7,5	1750	14,90	8,75	5	122,00
TSA80×95×1500L	403700200	8,0	1500	16,00	7,50	5	116,00
TSA80×95×1500R	403700100	8,0	1500	16,00	7,50	5	116,00
TSA80×95×2100L	403370700	8,0	2100	16,00	10,50	5	116,00
TSA80×95×2100R	403370800	8,0	2100	16,00	10,50	5	116,00
TSA85×95×1250L	403370900	8,5	1250	17,00	6,25	5	128,00
TSA85×95×1250R	403371000	8,5	1250	17,00	6,25	5	128,00
TSA85×95×1600L	403377300	8,5	1600	17,00	8,00	5	128,00
TSA85×95×1600R	403377200	8,5	1600	17,00	8,00	5	128,00
TSA90×95×1400L	403371100	9,0	1400	18,20	7,00	5	139,00
TSA90×95×1400R	403371200	9,0	1400	18,20	7,00	5	139,00
TSA90×95×1500L	403377500	9,0	1500	18,20	7,50	5	139,00
TSA90×95×1500R	403377400	9,0	1500	18,20	7,50	5	139,00
TSA90×95×1800L	403373700	9,0	1800	18,20	9,00	5	139,00
TSA90×95×1800R	403373800	9,0	1800	18,20	9,00	5	139,00
TSA95×95×1600L	403371300	9,5	1600	19,30	8,00	5	149,00
TSA95×95×1600R	403371400	9,5	1600	19,30	8,00	5	149,00
TSA95×95×1750L	403375200	9,5	1750	19,30	8,75	5	149,00
TSA95×95×1750R	403375300	9,5	1750	19,30	8,75	5	149,00

ПРУЖИНЫ И НАКОНЕЧНИКИ ПРУЖИННЫЕ
Пружина

Используется в промышленных воротах всех типов монтажа.

 Внутренний диаметр, мм 152
 Диаметр вала, мм 25,4/31,75
 Материал стальная проволока
 Покрытие полимерное
 Цвет RAL9006
 Единица измерения М


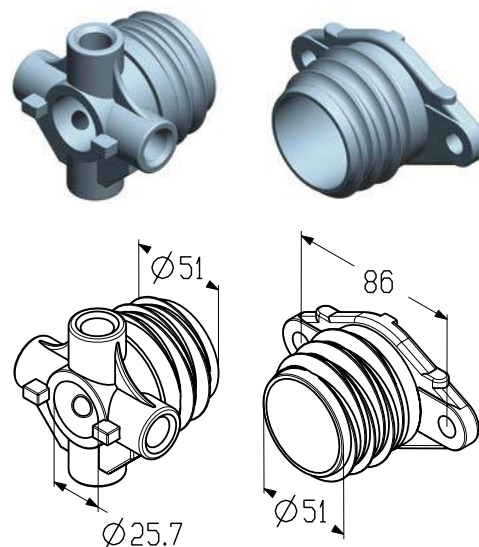
Арт.	Код	d, мм	Длина, мм	Вес, кг/м	Норма поставки		Розничная цена, евро с НДС
					м	шт.	
TSA75×152×1300L	403377700	7,5	1300	23,20	6,50	5	180,00
TSA75×152×1300R	403377600	7,5	1300	23,20	6,50	5	180,00
TSA80×152×1500L	403377900	8,0	1500	24,90	7,50	5	203,00
TSA80×152×1500R	403377800	8,0	1500	24,90	7,50	5	203,00
TSA85×152×1250L	403700600	8,5	1250	26,40	6,25	5	215,00
TSA85×152×1250R	403700500	8,5	1250	26,40	6,25	5	215,00
TSA85×152×1750L	403700400	8,5	1750	26,40	8,75	5	215,00
TSA85×152×1750R	403700300	8,5	1750	26,40	8,75	5	215,00
TSA90×152×2200L	403378300	9,0	2200	28,00	11,00	5	228,00
TSA90×152×2200R	403378200	9,0	2200	28,00	11,00	5	228,00
TSA95×152×1300L	403375700	9,5	1300	29,60	6,50	5	258,00
TSA95×152×1300R	403375600	9,5	1300	29,60	6,50	5	258,00
TSA95×152×2250L	403372300	9,5	2250	29,60	11,25	5	258,00
TSA95×152×2250R	403372400	9,5	2250	29,60	11,25	5	258,00
TSA100×152×1400L	403700800	10,0	1400	31,30	7,00	5	266,00
TSA100×152×1400R	403700700	10,0	1400	31,30	7,00	5	266,00
TSA100×152×2450L	403701000	10,0	2450	31,30	12,25	5	266,00
TSA100×152×2450R	403700900	10,0	2450	31,30	12,25	5	266,00
TSA105×152×1400L	403372700	10,5	1400	33,13	7,00	5	266,00
TSA105×152×1400R	403372800	10,5	1400	33,13	7,00	5	266,00
TSA105×152×1650L	403378900	10,5	1650	33,13	8,25	5	270,00
TSA105×152×1650R	403378800	10,5	1650	33,13	8,25	5	270,00
TSA110×152×1550L	403375800	11,0	1550	34,70	7,75	5	251,00
TSA110×152×1550R	403375900	11,0	1550	34,70	7,75	5	251,00
TSA110×152×1800L	403379100	11,0	1800	34,70	9,00	5	251,00
TSA110×152×1800R	403379000	11,0	1800	34,70	9,00	5	251,00
TSA115×152×1800L	403701200	11,5	1800	36,51	9,00	5	305,00
TSA115×152×1800R	403701100	11,5	1800	36,51	9,00	5	305,00
TSA120×152×1700L	403379500	12,0	1700	38,10	8,50	5	280,00
TSA120×152×1700R	403379400	12,0	1700	38,10	8,50	5	280,00
TSA120×152×2100L	403373300	12,0	2100	38,10	10,50	5	280,00
TSA120×152×2100R	403373400	12,0	2100	38,10	10,50	5	280,00

Наконечники пружинные 51 мм

Используются совместно с пружинами с внутренним диаметром 51 мм.

 Материалалюминий
 Диаметр вала, мм 25,4
 Вес, кг/пара 0,7
 Единица измерения пара
 Норма поставки, пара 100

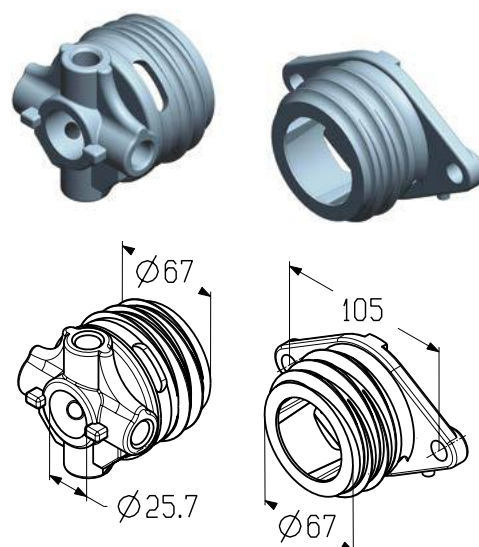
Арт.	Код	Розничная цена, евро с НДС
SF-51	403120000	11,00


Наконечники пружинные 67 мм

Используются совместно с пружинами с внутренним диаметром 67 мм.

 Материалалюминий
 Диаметр вала, мм 25,4
 Вес, кг/пара 1
 Единица измерения пара
 Норма поставки, пара 100

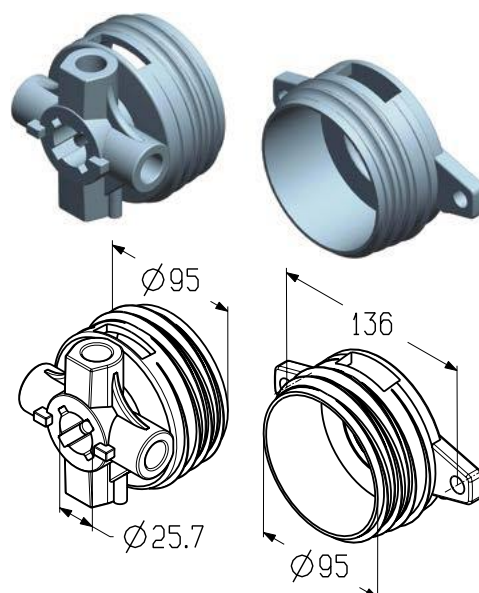
Арт.	Код	Розничная цена, евро с НДС
SF-67	403120100	15,00


Наконечники пружинные 95 мм

Используются совместно с пружинами с внутренним диаметром 95 мм.

 Материалалюминий
 Диаметр вала, мм 25,4
 Вес, кг/пара 3,2
 Единица измерения пара
 Норма поставки, пара 20

Арт.	Код	Розничная цена, евро с НДС
SF-95	403120200	19,00



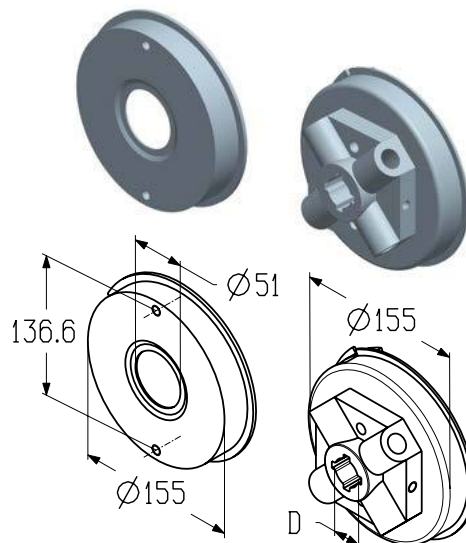
ПРУЖИНЫ И НАКОНЕЧНИКИ ПРУЖИННЫЕ

Наконечники пружинные 152 мм

Используются совместно с пружинами с внутренним диаметром 152 мм.

Материалалюминий
 Вес, кг/пара 1,33
 Единица измерения пара
 Норма поставки, пара 7

Арт.	Код	Диаметр вала, мм	Розничная цена, евро с НДС
SF-152L	403120500	25,4	28,00
SF-152R	403120400		28,00
SF-152L-5/4	403130200	31,75	28,00
SF-152R-5/4	403130100		28,00

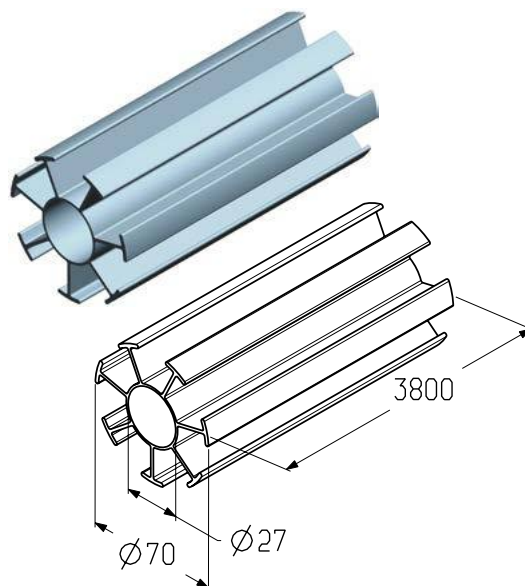


Профиль проставочный

Применяется совместно с пружиной с внутренним диаметром 95 мм.

Диаметр вала, мм 25,4
 Длина, мм 3000
 Материал ПВХ
 Вес, кг/м 1,7
 Единица измерения м
 Норма поставки, м 150

Арт.	Код	Розничная цена, евро с НДС
IP-95-3800	403520300	11,00

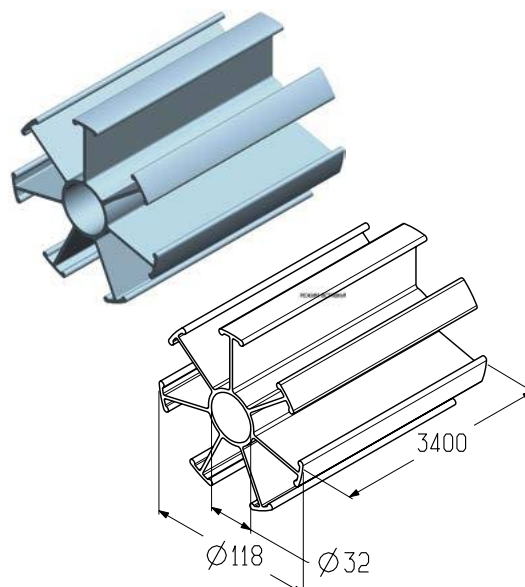


Профиль проставочный

Применяется совместно с пружиной с внутренним диаметром 152 мм.

Диаметр вала, мм 25,4/31,75
 Длина, мм 3000
 Материал ПВХ
 Вес, кг/м 1,16
 Единица измерения м
 Норма поставки, м 225

Арт.	Код	Розничная цена, евро с НДС
IP-152-3400	403520200	21,00



УСТАНОВКА АДАПТЕРА ПРОСТАВОЧНОГО



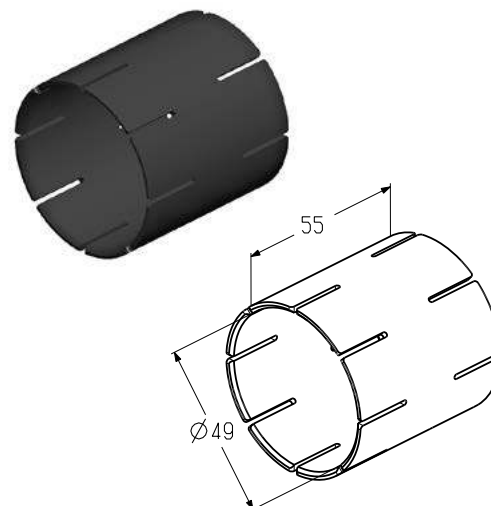
1.4

Адаптер проставочный

Предназначен для установки совместно с профилем проставочным.

Материал.....PVC
 Единица измеренияшт.
 Вес, кг/шт.....0,017
 Норма поставки, шт. 140

Арт.	Код	Розничная цена, евро с НДС
DH-4015	453500100	0,85



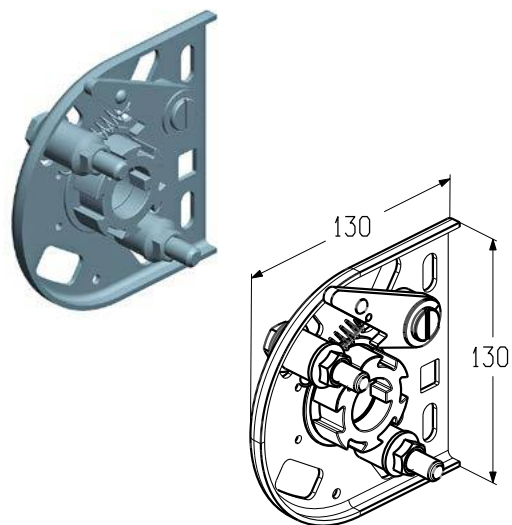
МУФТЫ ПРЕДОХРАНИТЕЛЬНЫЕ ХРАПОВЫЕ

Муфта предохранительная храповая

Предназначена для блокировки вала при поломке пружины.
Используется в гаражных воротах с торсионными пружинами стандартного и низкого типов монтажа.

Материал оцинкованная сталь
Вес, кг/шт. 0,7
Диаметр вала, мм 25,4
Единица измерения шт.
Норма поставки, шт. 32

Арт.	Код	Примечание	Розничная цена, евро с НДС
SBD-TR	403732700	Правая	20,50
SBD-TL	403732600	Левая	20,50

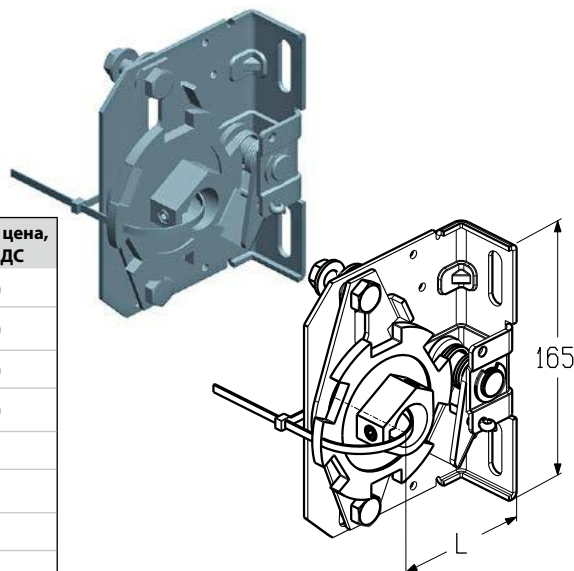


Муфта предохранительная храповая

Предназначена для блокировки вала при поломке пружины.
Используется в промышленных воротах всех типов монтажа.

Диаметр вала, мм 25,4
Материал оцинкованная сталь
Единица измерения шт.

Арт.	Код	Примечание	Применение	Норма поставки, шт.	Розничная цена, евро с НДС
SBD-86R	403731800	При расстоянии от стены до оси вала более 86 мм	Правая	15	30,30
SBD-86L	403731900		Левая	15	30,30
SBD-111R	403732000	При расстоянии от стены до оси вала более 111 мм	Правая	10	35,20
SBD-111L	403732100		Левая	10	35,20
SBD-127R	403732200	При расстоянии от стены до оси вала более 127 мм	Правая	10	36,60
SBD-127L	403732300		Левая	10	36,60
SBD-152R	403732400	При расстоянии от стены до оси вала более 152 мм	Правая	10	41,70
SBD-152L	403732500		Левая	10	41,70

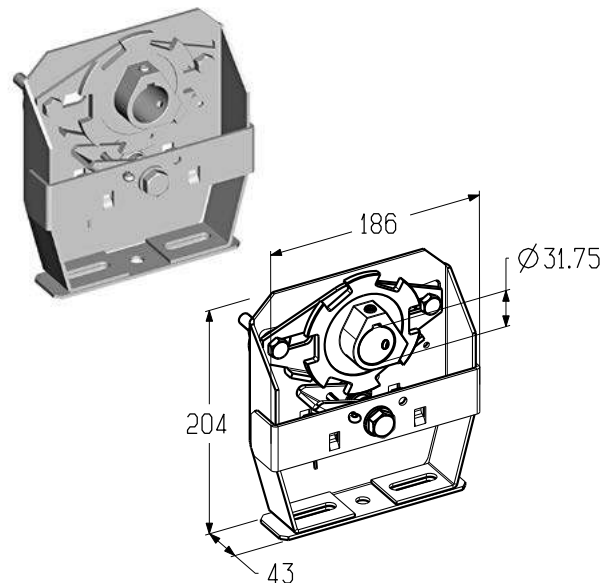


Муфта предохранительная храповая

Предназначена для блокировки вала при поломке пружины.
Используется в промышленных воротах всех типов монтажа.
Устанавливается совместно с пружинами с внутренним диаметром 95, 152 мм.

Материал оцинкованная сталь
Диаметр вала, мм 31,75
Единица измерения шт.
Вес, кг/шт. 2,50
Норма поставки, шт. 20

Арт.	Код	Примечание	Розничная цена, евро с НДС
SBD-TSS5/4L	403730800	Левая	84,00
SBD-TSS5/4R	403730900	Правая	84,00



Барaban

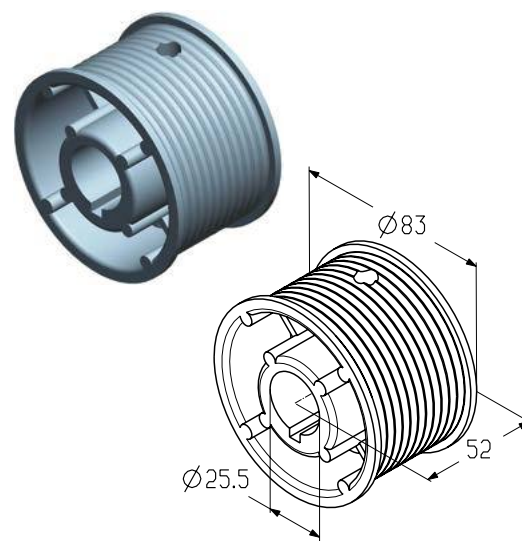
Предназначен для намотки троса Ø 3 мм.

Используется:

- в гаражных воротах с торсионными пружинами стандартных и низких типов монтажа;
- в промышленных воротах стандартных, низких, наклонных низких и наклонных типов монтажа.

Диаметр вала, мм.....	25,4
Мах высота ворот, мм.....	3000
Мах масса полотна ворот, кг.....	320
Материал.....	алюминий
Вес, кг/пара.....	0,8
Единица измерения.....	пара
Норма поставки, пара.....	25

Арт.	Код	Розничная цена, евро с НДС
CD010N	403020000	22,00


Барaban

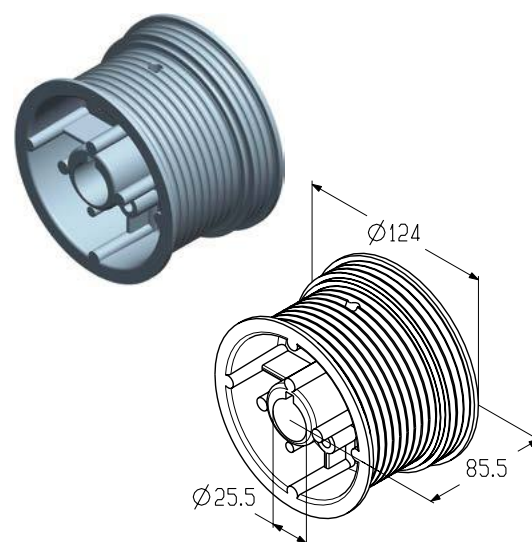
Предназначен для намотки троса Ø 3, 4, 5 мм.

Используется:

- в гаражных воротах с торсионными пружинами стандартных и низких типов монтажа;
- в промышленных воротах стандартных, низких, наклонных низких и наклонных типов монтажа.

Диаметр вала, мм.....	25,4
Мах высота ворот, мм.....	3680
Мах масса полотна ворот, кг.....	500
Материал.....	алюминий
Вес, кг/пара.....	1,1
Единица измерения.....	пара
Норма поставки, пара.....	20

Арт.	Код	Розничная цена, евро с НДС
CD012N	403020100	24,00

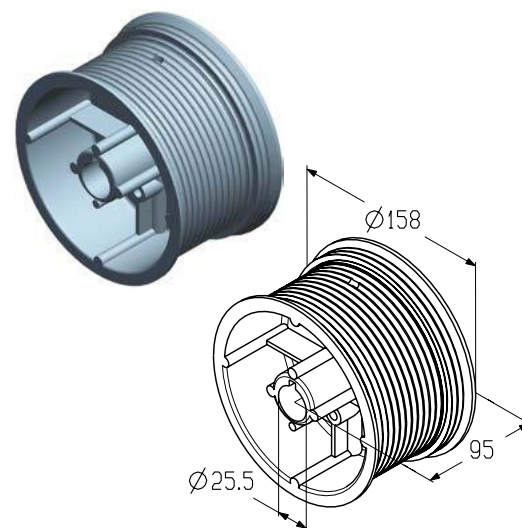

Барaban

Предназначен для намотки троса Ø 3, 4, 5 мм.

Используется в промышленных воротах стандартных, низких, наклонных низких и наклонных типов монтажа.

Диаметр вала, мм.....	25,4
Мах высота ворот, мм.....	5570
Мах масса полотна ворот, кг.....	500
Материал.....	алюминий
Вес, кг/пара.....	1,6
Единица измерения.....	пара
Норма поставки, пара.....	15

Арт.	Код	Розничная цена, евро с НДС
CD018N	403020200	44,00



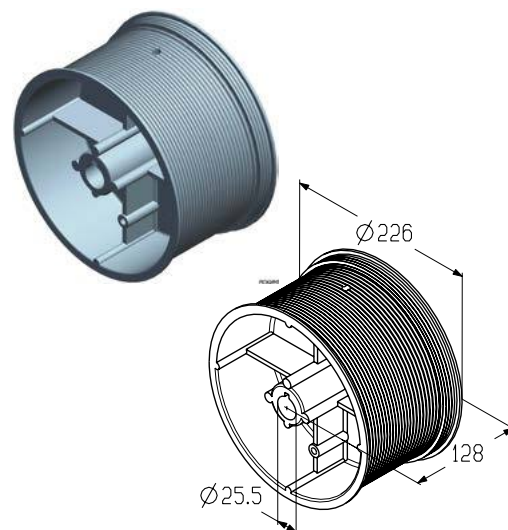
БАРАБАНЫ

Барaban

Предназначен для крепления троса Ø 3, 4, 5, 6 мм.
Используется в промышленных воротах стандартных, низких, наклонных низких и наклонных типов монтажа.

Диаметр вала, мм.....	25,4
Мах высота ворот, мм.....	10175
Мах масса полотна ворот, кг.....	700
Материал.....	алюминий
Вес, кг/пара.....	5,1
Единица измерения.....	пара
Норма поставки, пара.....	4

Арт.	Код	Розничная цена, евро с НДС
CD032N	403020300	223,00

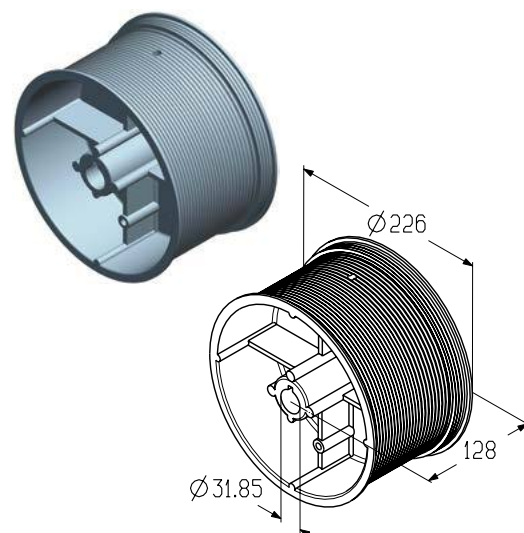


Барaban

Предназначен для крепления троса Ø 3, 4, 5, 6 мм.
Используется в промышленных воротах стандартных, низких, наклонных низких и наклонных типов монтажа.

Диаметр вала, мм.....	31,75
Мах высота ворот, мм.....	10175
Мах масса полотна ворот, кг.....	700
Материал.....	алюминий
Вес, кг/пара.....	5,1
Единица измерения.....	пара
Норма поставки, пара.....	2

Арт.	Код	Розничная цена, евро с НДС
CD032N-5/4	403030000	223,00

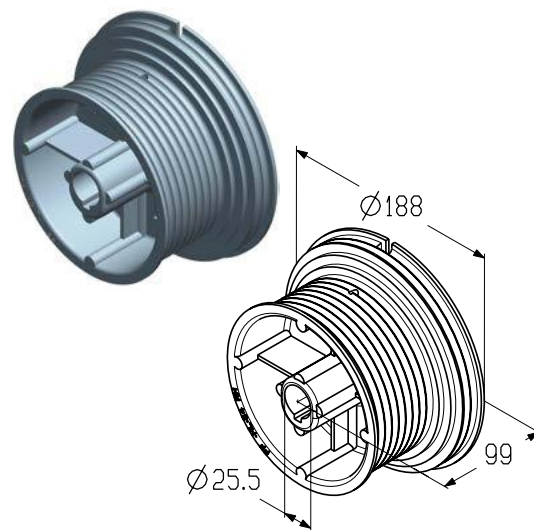


Барaban

Предназначен для крепления троса Ø 3, 4, 5 мм.
Используется в промышленных воротах высоких и высоких наклонных типов монтажа.

Диаметр вала, мм.....	25,4
Мах высота ворот, мм.....	4800
Мах масса полотна ворот, кг.....	500
Мах HL*, мм.....	1370
Материал.....	алюминий
Вес, кг/пара.....	2,1
Единица измерения.....	пара
Норма поставки, пара.....	6

Арт.	Код	Розничная цена, евро с НДС
CD054H	403020400	60,00



* Максимальное расстояние от нижнего края перемычки до нижнего края горизонтальных направляющих.

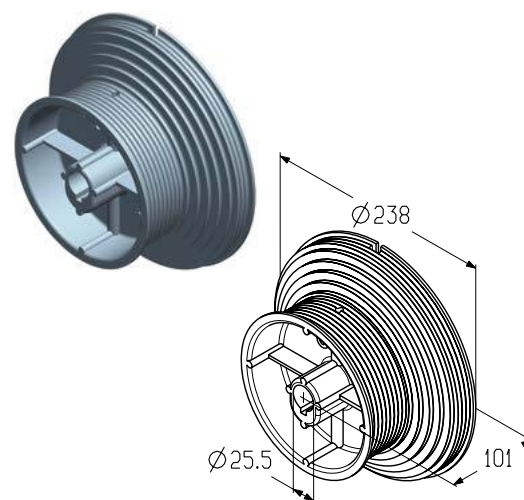
Барабан

Предназначен для крепления троса Ø 3, 4, 5 мм.
Используется в промышленных воротах высоких и высоких наклонных типов монтажа.

Диаметр вала, мм.....	4
Мах высота ворот, мм.....	5050
Мах масса полотна ворот, кг.....	500
Мах HL*, мм.....	3050
Материал.....	алюминий
Вес, кг/пара.....	2,9
Единица измерения.....	пара
Норма поставки, пара.....	5

Арт.	Код	Розничная цена, евро с НДС
CD120H	403020500	85,00

* Максимальное расстояние от нижнего края перемычки до нижнего края горизонтальных направляющих.



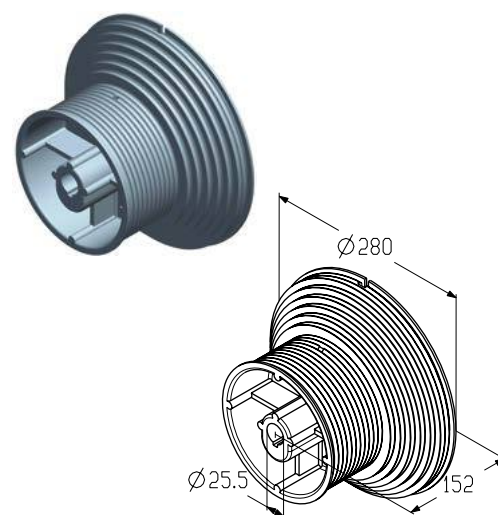
Барабан

Предназначен для крепления троса Ø 3, 4, 5, 6 мм.
Используется в промышленных воротах высоких и высоких наклонных типов монтажа.

Диаметр вала, мм.....	25,4
Мах высота ворот, мм.....	6000
Мах масса полотна ворот, кг.....	650
Мах HL*, мм.....	4100
Материал.....	алюминий
Вес, кг/пара.....	6,5
Единица измерения.....	пара
Норма поставки, пара.....	3

Арт.	Код	Розничная цена, евро с НДС
CD164H	403020600	266,00

* Максимальное расстояние от нижнего края перемычки до нижнего края горизонтальных направляющих.



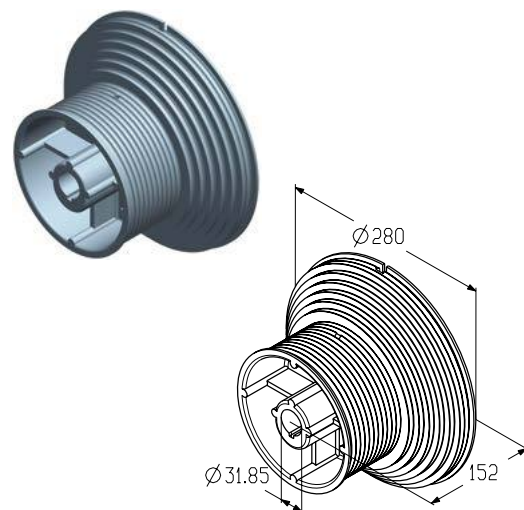
Барабан

Предназначен для крепления троса Ø 3, 4, 5, 6 мм.
Используется в промышленных воротах высоких и высоких наклонных типов монтажа.

Диаметр вала, мм.....	31,75
Мах высота ворот, мм.....	6000
Мах масса полотна ворот, кг.....	650
Мах HL*, мм.....	4100
Материал.....	алюминий
Вес, кг/пара.....	6,5
Единица измерения.....	пара
Норма поставки, пара.....	2

Арт.	Код	Розничная цена, евро с НДС
CD164H-5/4	403030100	266,00

* Максимальное расстояние от нижнего края перемычки до нижнего края горизонтальных направляющих.



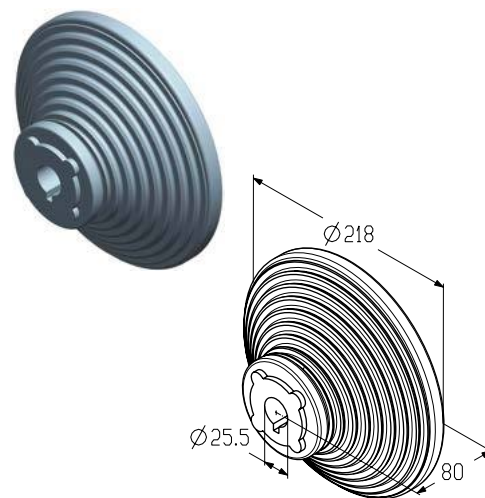
БАРАБАНЫ

Барaban

Предназначен для крепления троса \varnothing 3, 4, 5 мм.
Используется в промышленных воротах вертикальных типов монтажа.

Диаметр вала, мм.....	25,4
Мах высота ворот, мм.....	3300
Мах масса полотна ворот, кг.....	500
Материал.....	алюминий
Вес, кг/пара.....	1,9
Единица измерения.....	пара
Норма поставки, пара.....	9

Арт.	Код	Розничная цена, евро с НДС
CD011V	403020700	60,00

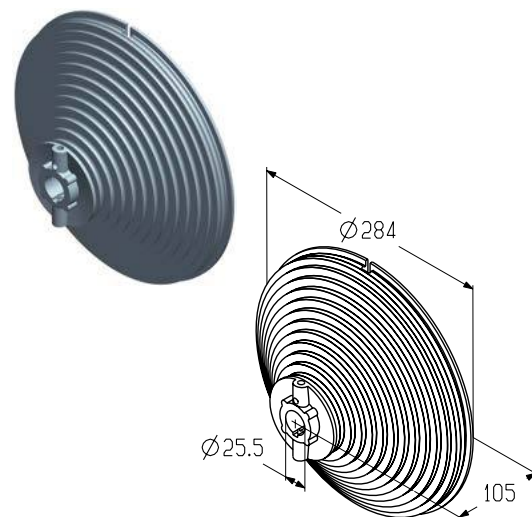


Барaban

Предназначен для крепления троса \varnothing 3, 4, 5 мм.
Используется в промышленных воротах вертикальных типов монтажа.

Диаметр вала, мм.....	25,4
Мах высота ворот, мм.....	6000
Мах масса полотна ворот, кг.....	600
Материал.....	алюминий
Вес, кг/пара.....	4
Единица измерения.....	пара
Норма поставки, пара.....	5

Арт.	Код	Розничная цена, евро с НДС
CD018V	403020800	120,00

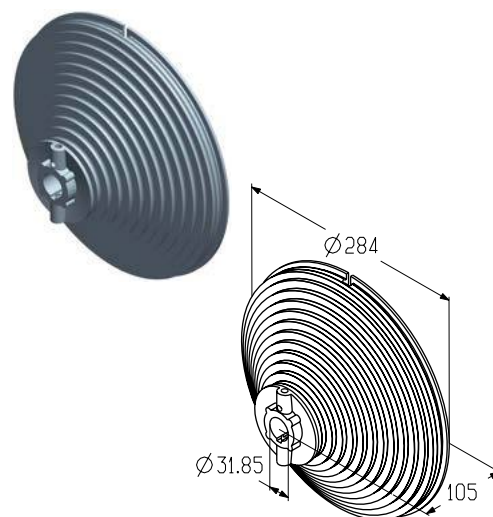


Барaban

Предназначен для крепления троса \varnothing 3, 4, 5 мм.
Используется в промышленных воротах вертикальных типов монтажа.

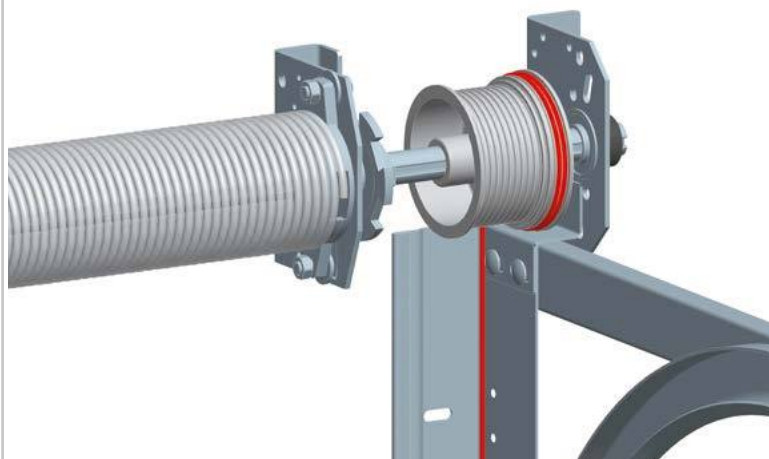
Диаметр вала, мм.....	31,75
Мах высота ворот, мм.....	6000
Мах масса полотна ворот, кг.....	600
Материал.....	алюминий
Вес, кг/пара.....	4
Единица измерения.....	пара
Норма поставки, пара.....	4

Арт.	Код	Розничная цена, евро с НДС
CD018V-5/4	403030200	120,00

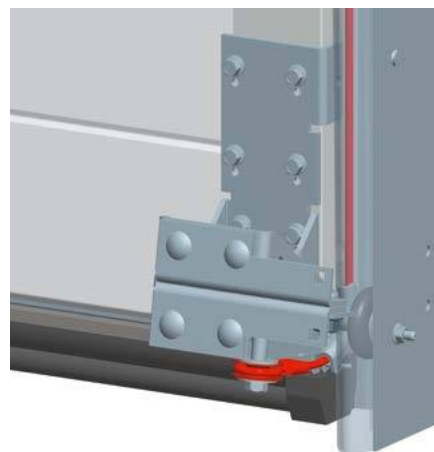


УСТАНОВКА ТРОСА

Барабан



Нижний кронштейн



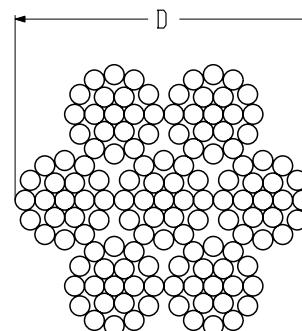
1.4

Трос

Предназначен для подъема полотна ворот.
Применяется в гаражных и промышленных воротах всех типов монтажа (кроме низких).

Материал оцинкованная сталь
Единица измерения м
Норма поставки, м 250

Арт.	Код	Диаметр троса, мм	Вес, кг/м	Для ворот с массой полотна	Розничная цена, евро с НДС
CR-3-250	403930000	3	0,032	до 135 кг	0,70
CR-4-250	403930100	4	0,064	от 135 до 200 кг	2,30
CR-5-250	403930200	5	0,09	от 200 до 450 кг	3,00
CR-6-250	403930300	6	0,14	от 450 кг	3,80

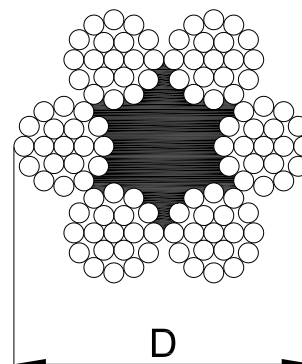


Трос

Предназначен для подъема полотна ворот.
Применяется в гаражных и промышленных воротах низких типов монтажа.

Материал оцинкованная сталь+PVC
Единица измерения м
Норма поставки, м 250

Арт.	Код	Диаметр троса, мм	Вес, кг/м	Для ворот с массой полотна	Розничная цена, евро с НДС
CR-3-250-P	403930800	3	0,055	до 135 кг	1,30
CR-4-250-P	403930900	4	0,086	от 135 до 200 кг	1,50
CR-5-250-P	403931000	5	0,125	от 200 до 450 кг	2,00
CR-6-250-P	403931100	6	0,177	от 450 кг	2,40



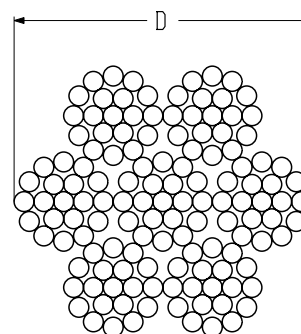
ТРОСЫ, КОУШИ, ЗАЖИМЫ

Трос

Предназначен для подъема полотна ворот.

Материал нержавеющая сталь
Единица измерения М
Норма поставки, м 250

Арт.	Код	Диаметр троса, мм	Вес, кг/м	Для ворот с массой полотна	Розничная цена, евро с НДС
CR-3-250-SS	403930400	3	0,036	до 135 кг	4,30
CR-4-250-SS	403930500	4	0,062	от 135 до 200 кг	7,20
CR-5-250-SS	403930600	5	0,102	от 200 до 450 кг	9,40
CR-6-250-SS	403930700	6	0,154	от 450 кг	16,80

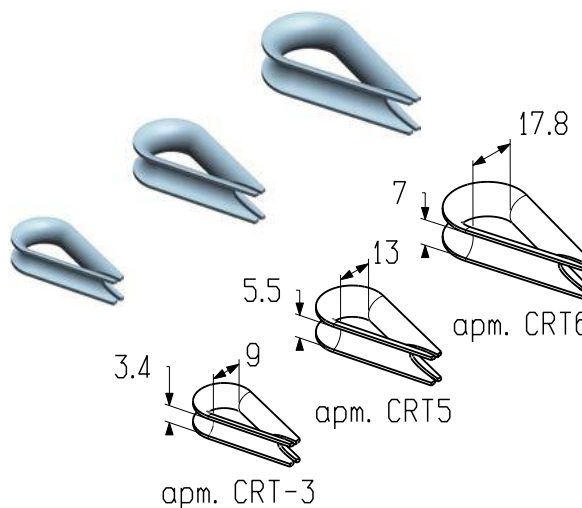


Коуш

Предназначен для заделки троса.

Материал оцинкованная сталь
Единица измерения шт.
Норма поставки, шт. 1000

Арт.	Код	Диаметр троса, мм	Вес, кг/шт.	Розничная цена, евро с НДС
CRT-3	403950000	3	0,002	0,50
CRT-5	403950100	5 и 4	0,005	0,50
CRT-6	403950200	6	0,008	0,60

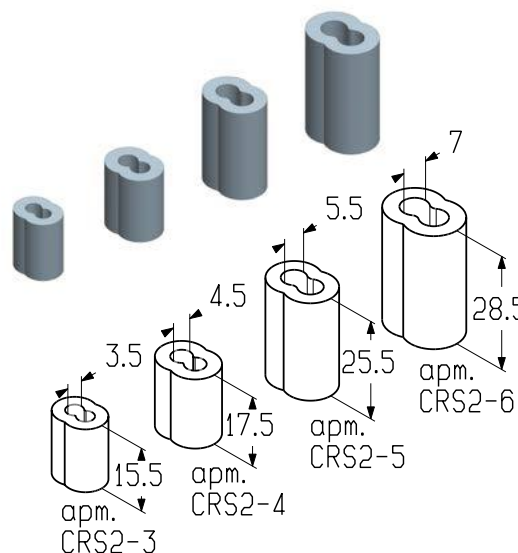


Зажим

Предназначен для заделки троса.

Материал алюминий
Единица измерения шт.
Норма поставки, шт. 1000

Арт.	Код	Диаметр троса, мм	Вес, кг/шт.	Розничная цена, евро с НДС
CRS2-3	403940000	3	0,003	0,25
CRS2-4	403940100	4	0,004	0,30
CRS2-5	403940200	5	0,007	0,50
CRS2-6	403940300	6	0,011	0,80



Зажим

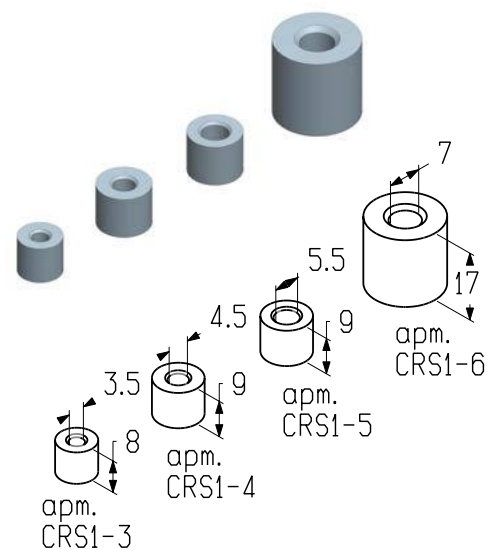
Предназначен для заделки троса.

Материал алюминий

Единица измерения шт.

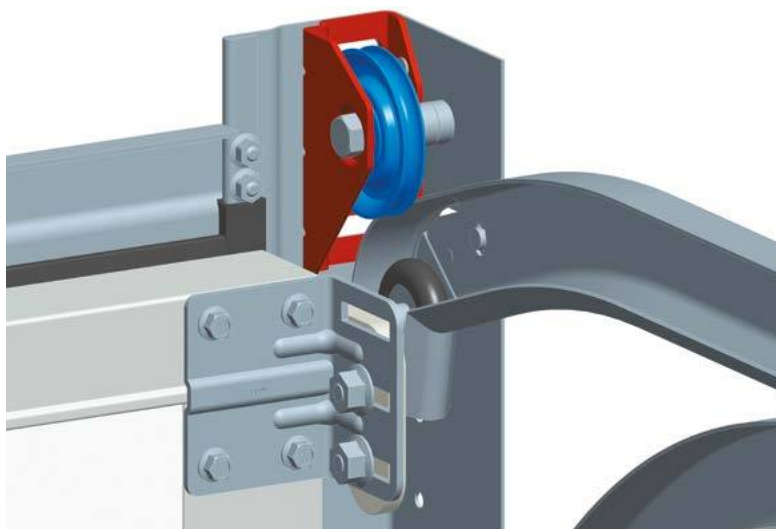
Норма поставки, шт. 1000

Арт.	Код	Диаметр троса, мм	Вес, кг/шт.	Розничная цена, евро с НДС
CRS1-3	403940400	3	0,001	0,20
CRS1-4	403940500	4	0,002	0,30
CRS1-5	403940600	5	0,002	0,30
CRS1-6	403940700	6	0,004	0,80



ШКИВЫ И КРОНШТЕЙНЫ ДЛЯ УСТАНОВКИ ТОРСИОННОГО ВАЛА

УСТАНОВКА ШКИВА

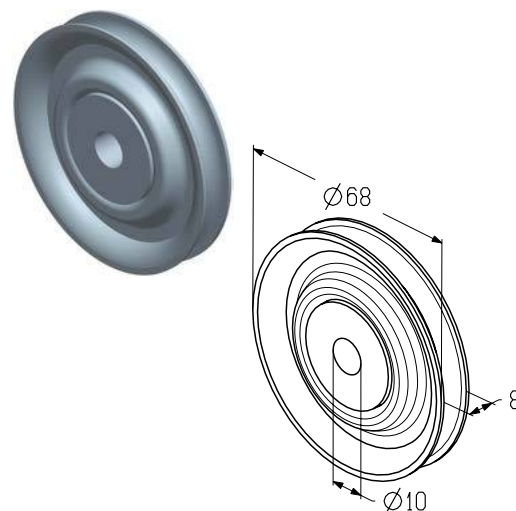


Шкив

Предназначен для установки троса Ø 3 мм.
Используется в гаражных воротах с торсионными пружинами низкого типа монтажа.

Внешний диаметр, мм68
Материал оцинкованная сталь
Вес, кг/шт.0,09
Единица измеренияшт.
Норма поставки, шт.50

Арт.	Код	Розничная цена, евро с НДС
CRP-68	403660000	7,50

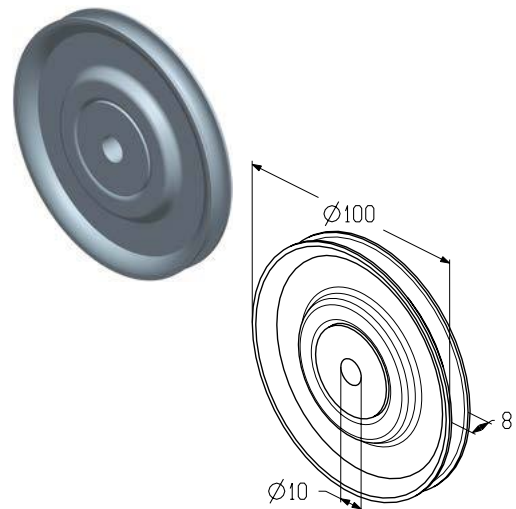


Шкив

Предназначен для установки троса Ø 3, 4, 5 мм.
Используется в промышленных воротах низкого и наклонного низкого типов монтажа.

Внешний диаметр, мм 100
Материал оцинкованная сталь
Вес, кг/шт.0,275
Единица измеренияшт.
Норма поставки, шт.50

Арт.	Код	Розничная цена, евро с НДС
CRP-100	403610000	14,00

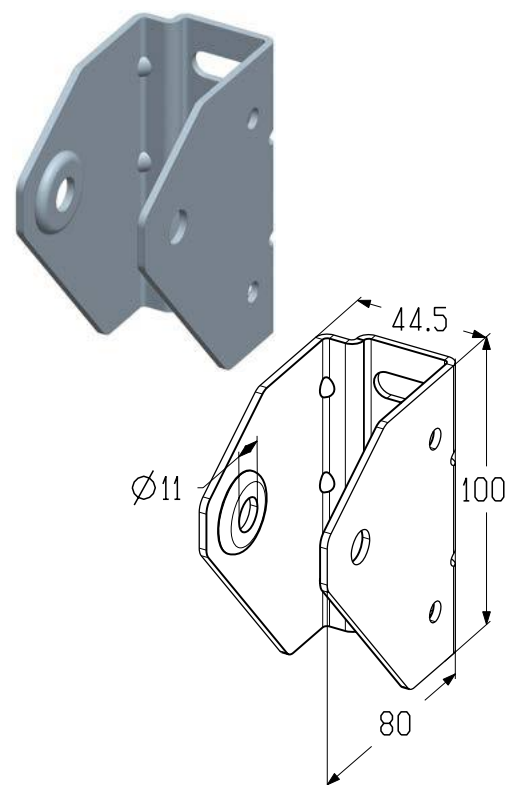


ШКИВЫ И КРОНШТЕЙНЫ ДЛЯ УСТАНОВКИ ТОРСИОННОГО ВАЛА
Кронштейн

Предназначен для крепления шкива (CRP-100).
 Используется в промышленных воротах низкого и наклонного низкого типов монтажа.

Материал оцинкованная сталь
 Вес, кг/шт. 0,275
 Единица измерения шт.
 Норма поставки, шт. 25

Арт.	Код	Примечание	Розничная цена, евро с НДС
PB-100L	403410200	Левый	6,70
PB-100R	403410300	Правый	6,70

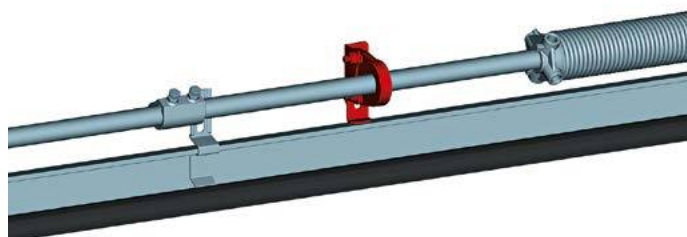


1.4

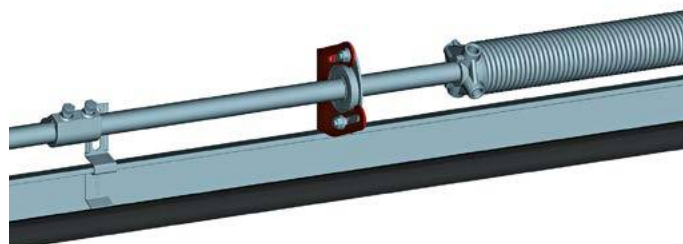
ШКИВЫ И КРОНШТЕЙНЫ ДЛЯ УСТАНОВКИ ТОРСИОННОГО ВАЛА

УСТАНОВКА КРОНШТЕЙНА ПРОМЕЖУТОЧНОГО

**Кронштейн промежуточный
(IBV-4501)**



**Кронштейн промежуточный
(IBV-4502)**



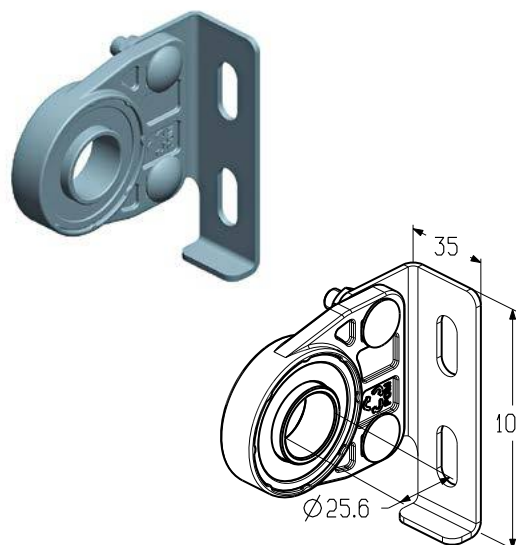
1.4

Кронштейн промежуточный

Предназначен для установки торсионного вала. Используется в гаражных воротах с торсионными пружинами стандартного типа монтажа шириной до 5000 мм.

Материал.....оцинкованная сталь+ПОМ
Вес, кг/шт.....0,326
Единица измеренияшт.
Норма поставки, шт.....70

Арт.	Код	Розничная цена, евро с НДС
IBV-4501	403431100	6,80

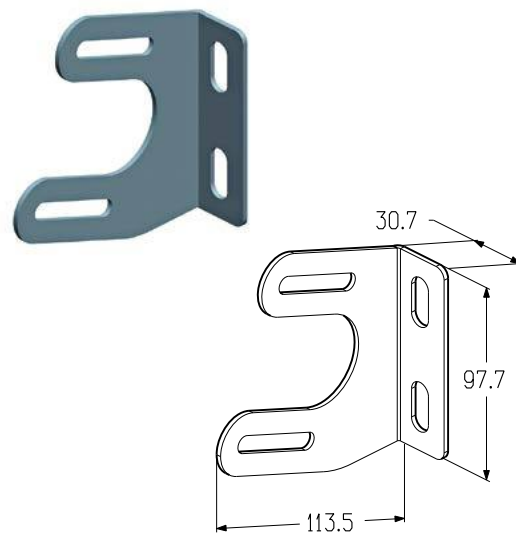


Кронштейн промежуточный

Предназначен для установки торсионного вала. Используется в гаражных воротах с торсионными пружинами стандартного типа монтажа шириной свыше 5000 мм. Устанавливается совместно с подшипником (BB0401) и корпусом подшипника (BR0400).

Материал.....оцинкованная сталь
Вес, кг/шт.....0,17
Единица измеренияшт.
Норма поставки, шт.....100

Арт.	Код	Розничная цена, евро с НДС
IBV-4502	403431200	2,75

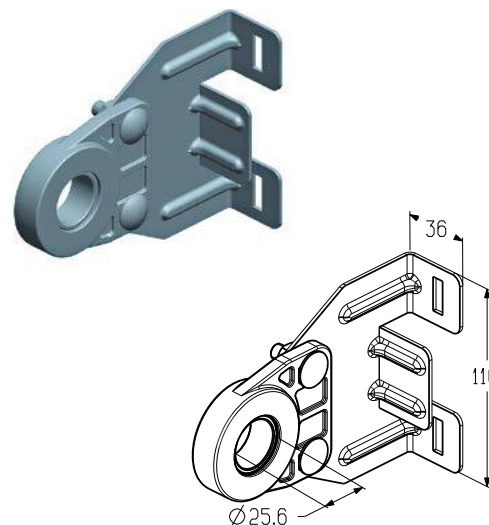


ШКИВЫ И КРОНШТЕЙНЫ ДЛЯ УСТАНОВКИ ТОРСИОННОГО ВАЛА
Кронштейн промежуточный

Предназначен для установки торсионного вала.
Используется в гаражных воротах с торсионными пружинами низкого типа монтажа шириной до 5000 мм.

Материал оцинкованная сталь+ПОМ
Вес, кг/шт. 0,381
Единица измерения шт.
Норма поставки, шт. 40

Арт.	Код	Розничная цена, евро с НДС
TBB-4505	403431500	6,80



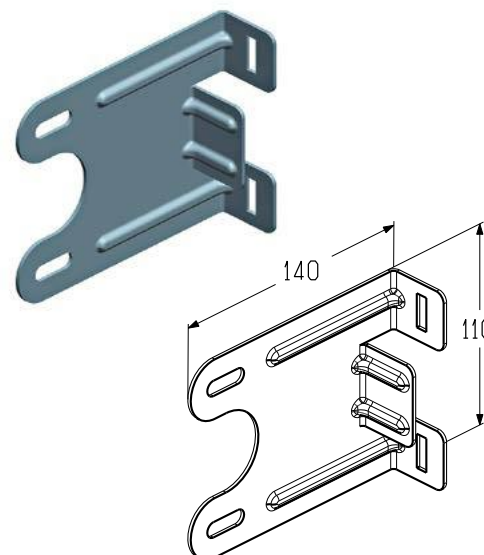
1.4

Кронштейн промежуточный

Предназначен для установки торсионного вала. Используется в гаражных воротах с торсионными пружинами низкого типа монтажа шириной свыше 5000 мм. Устанавливается совместно с подшипником (BB0401) и корпусом подшипника (BR0400).

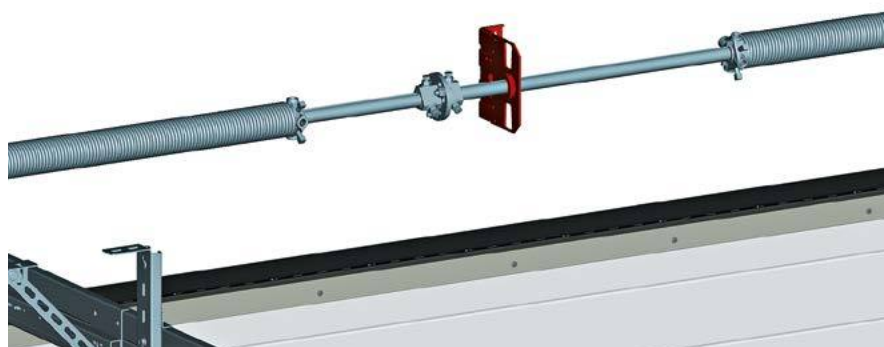
Материал оцинкованная сталь
Вес, кг/шт. 0,255
Единица измерения шт.
Норма поставки, шт. 100

Арт.	Код	Розничная цена, евро с НДС
IBB-4510	403432300	2,80



ШКИВЫ И КРОНШТЕЙНЫ ДЛЯ УСТАНОВКИ ТОРСИОННОГО ВАЛА

УСТАНОВКА КРОНШТЕЙНА ПРОМЕЖУТОЧНОГО

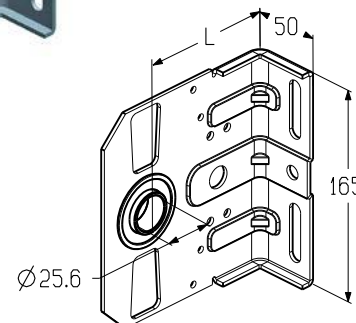


Кронштейн промежуточный

Предназначен для установки торсионного вала.
Используется в промышленных воротах всех типов монтажа.

Материал оцинкованная сталь
Диаметр вала, мм 25,4
Единица измерения шт.

Арт.	Код	Размер (L), мм	Вес, кг/шт.	Норма поставки, шт.	Розничная цена, евро с НДС
IB-86M	403431900	86	0,762	30	8,40
IB-111M	403432000	111	0,681	30	10,10
IB-127M	403432100	127	0,855	30	10,70
IB-152M	403432200	152	1,211	20	13,20

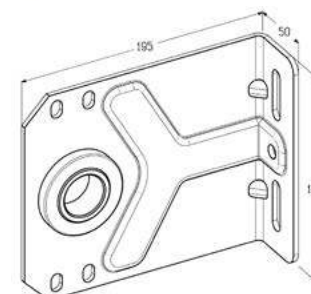
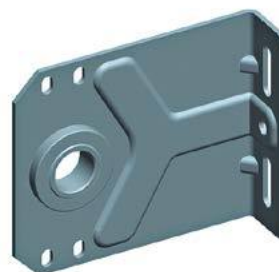


Кронштейн промежуточный

Предназначен для установки торсионного вала.
Используется в промышленных воротах всех типов монтажа.

Материал оцинкованная сталь
Диаметр вала, мм 31,75
Единица измерения шт.
Норма поставки, шт. 15

Арт.	Код	Розничная цена, евро с НДС
IB-152-5/4	403430600	27,10



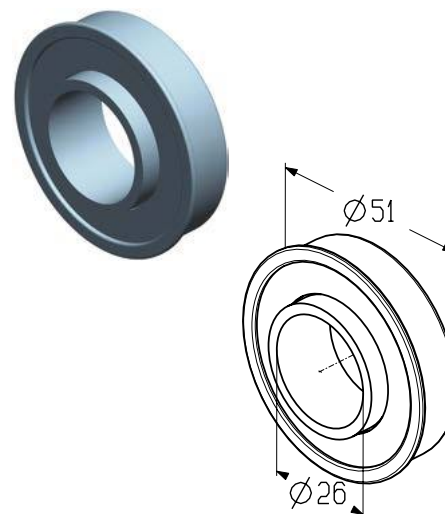
ШКИВЫ И КРОНШТЕЙНЫ ДЛЯ УСТАНОВКИ ТОРСИОННОГО ВАЛА

Подшипник

Предназначен для установки совместно с корпусом подшипника (BR0400).
Используется в гаражных воротах с торсионными пружинами стандартного типа монтажа.

Вес, кг/шт.....0,112
Единица измеренияшт.
Норма поставки, шт..... 200

Арт.	Код	Розничная цена, евро с НДС
BB0401	403910000	3,00

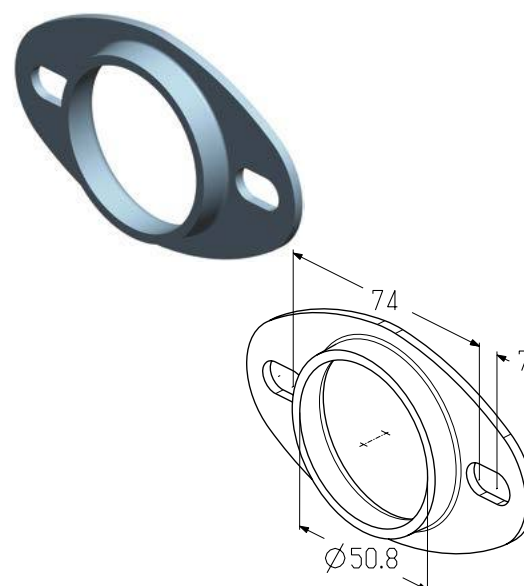


Корпус подшипника

Предназначен для установки совместно с подшипником (BB0401).
Используется в гаражных воротах с торсионными пружинами стандартного типа монтажа.

Материал.....оцинкованная сталь
Вес, кг/шт.....0,118
Единица измеренияшт.
Норма поставки, шт..... 200

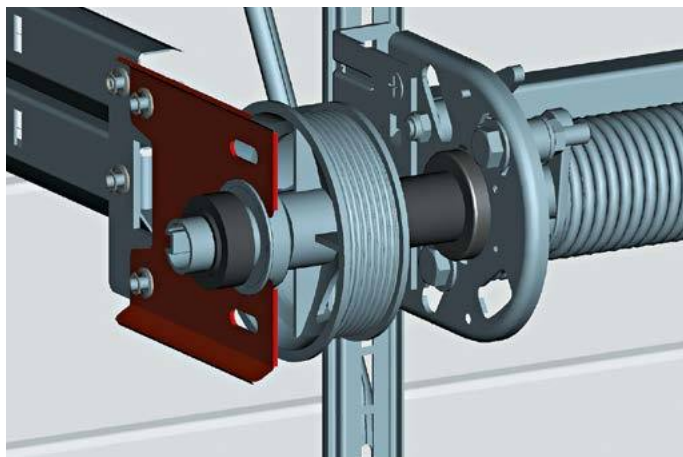
Арт.	Код	Розничная цена, евро с НДС
BR0400	403920000	2,60



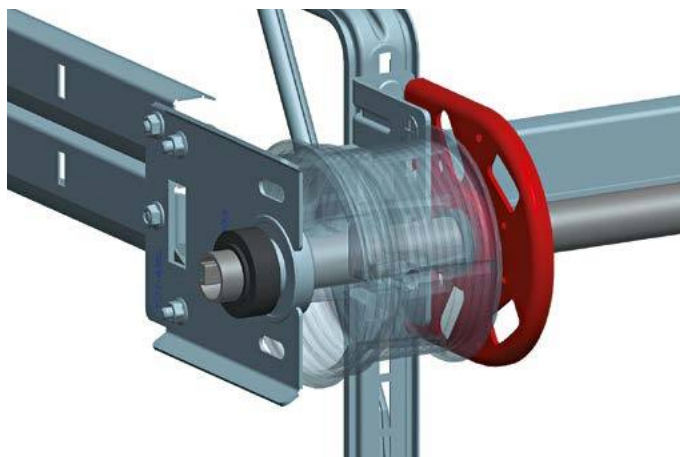
ШКИВЫ И КРОНШТЕЙНЫ ДЛЯ УСТАНОВКИ ТОРСИОННОГО ВАЛА

УСТАНОВКА КРОНШТЕЙНА БОКОВОГО

Кронштейн боковой (ТВТ-4503)



Кронштейн боковой (ТВ-4507)

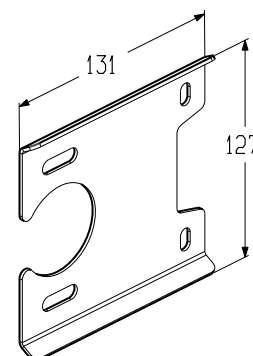


Кронштейн боковой

Предназначен для установки торсионного вала.
Применяется в гаражных воротах с торсионными пружинами низкого типа монтажа.

Диаметр вала, мм..... 25,4
Материал..... оцинкованная сталь
Вес, кг/шт..... 0,158
Единица измерения шт.
Норма поставки, шт. 100

Арт.	Код	Розничная цена, евро с НДС
ТВТ-4503	403431300	2,60

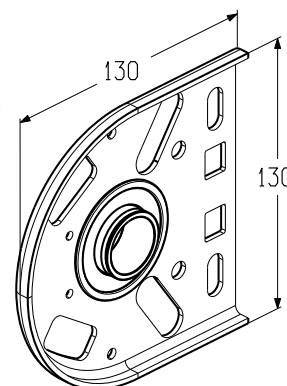


Кронштейн боковой

Предназначен для установки торсионного вала.
Применяется в гаражных воротах с одной торсионной пружиной всех типов монтажа.

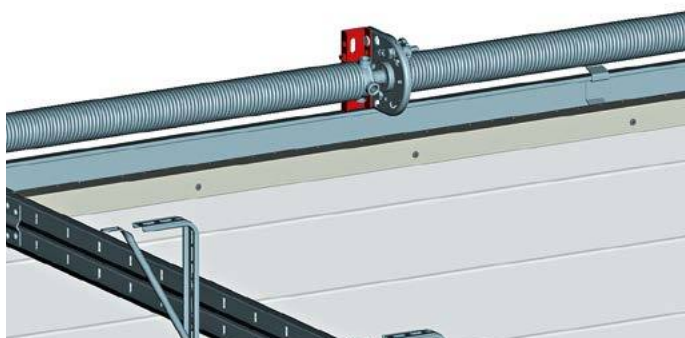
Диаметр вала, мм..... 25,4
Материал..... оцинкованная сталь
Вес, кг/шт..... 0,395
Единица измерения шт.
Норма поставки, шт. 60

Арт.	Код	Розничная цена, евро с НДС
ТВ-4507	403431600	5,10



УСТАНОВКА КРОНШТЕЙНА ПРОМЕЖУТОЧНОГО

Кронштейн промежуточный (IB-4508)



Кронштейн промежуточный (IB-4509)



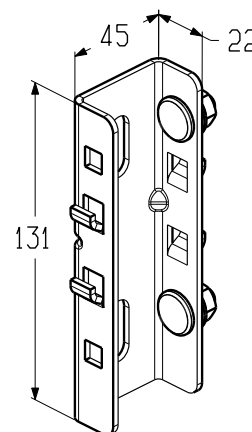
1.4

Кронштейн промежуточный

Предназначен для крепления муфты храповой предохранительной (SBD-TR/L) к проему. Применяется в гаражных воротах с торсионными пружинами в количестве 3 и более стандартного типа монтажа.

Материал.....оцинкованная сталь
Вес, кг/шт.....0,248
Единица измеренияшт.
Норма поставки, шт.....108

Арт.	Код	Розничная цена, евро с НДС
IB-4508	403431700	3,10

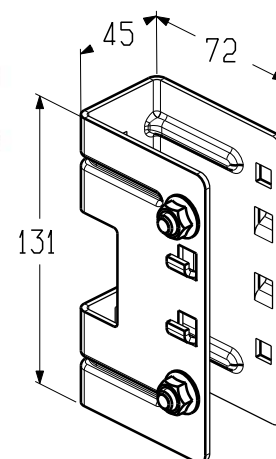
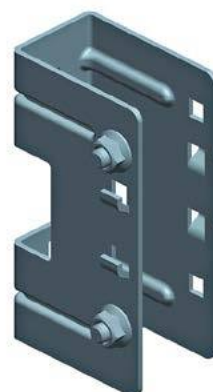


Кронштейн промежуточный

Предназначен для крепления муфты храповой предохранительной (SBD-TR/L) к мерной планке. Применяется в гаражных воротах с торсионными пружинами в количестве 3 и более низкого типа монтажа.

Материал.....оцинкованная сталь
Вес, кг/шт.....0,397
Единица измеренияшт.
Норма поставки, шт.....48

Арт.	Код	Розничная цена, евро с НДС
IB-4509	403431800	4,90



ШКИВЫ И КРОНШТЕЙНЫ ДЛЯ УСТАНОВКИ ТОРСИОННОГО ВАЛА

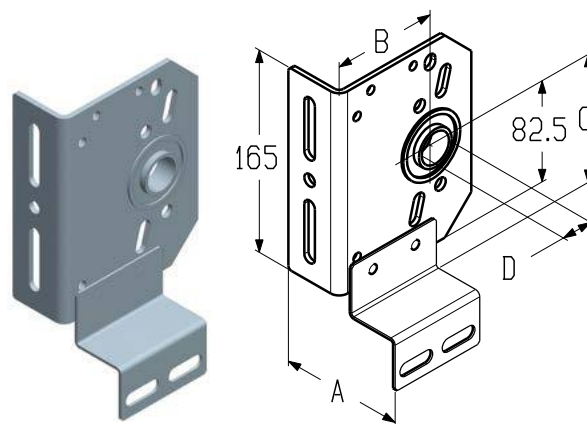
УСТАНОВКА КРОНШТЕЙНА БОКОВОГО



Кронштейн боковой левый
Кронштейн боковой правый

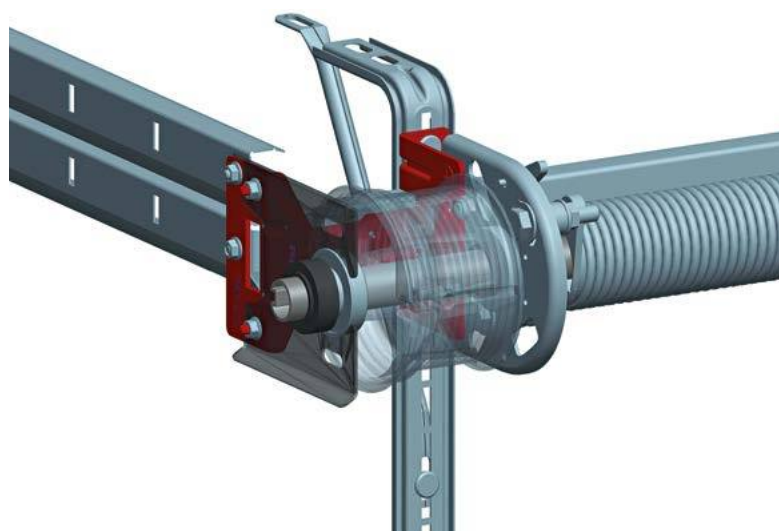
Предназначен для крепления торсионного вала к проему и профилю угловому.
Применяется для промышленных ворот.

Диаметр вала, мм..... 25,4
Материал..... оцинкованная сталь
Единица измеренияшт.
Норма поставки, шт. 15



Арт.	Код	Основные размеры			Диаметр вала, мм	Вес, кг/шт.	Розничная цена, евро с НДС	Примечание
		А, мм	В, мм	С, мм				
TBI510ML	403422900	93	86	72,5	25,4	0,905	11,00	для промышленных ворот стандартного и наклонного типов монтажа.
TBI510MR	403423000							
TBI520ML	403423100	93	111	72,5	25,4	0,932	11,00	
TBI520MR	403423200							
TBI530ML	403423300	93	111	82,5	25,4	0,932	11,00	
TBI530MR	403423400							
TBI560ML	403423500	93	127	142,5	25,4	1,056	12,00	
TBI560MR	403423600							
TBI580L	403422300	93	152	142,5	31,75	1,55	26,00	
TBI580R	403422400							
TBI540ML	403423700	93	111	105,5	25,4	0,932	11,00	• для гаражных ворот высокого типа монтажа; • для промышленных ворот стандартного, наклонного типов монтажа, наклонного высокого с верхним расположением вала, высокого с верхним расположением вала типов монтажа
TBI540MR	403423800							
TBI550ML	403423900	113	127	124,5	25,4	1,049	12,00	• для гаражных ворот высокого типа монтажа; • для промышленных ворот высокого, наклонного высокого, вертикального типов монтажа с верхним расположением вала
TBI550MR	403424000							
TBI570ML	403424100	128	152	144,5	25,4	1,455	13,30	для промышленных ворот высокого, наклонного высокого, вертикального типов монтажа с верхним расположением вала
TBI570MR	403424200							
TBI590L	403422500	128	152	144,5	31,75	1,59	24,50	
TBI590R	403422600							

УСТАНОВКА КРОНШТЕЙНА



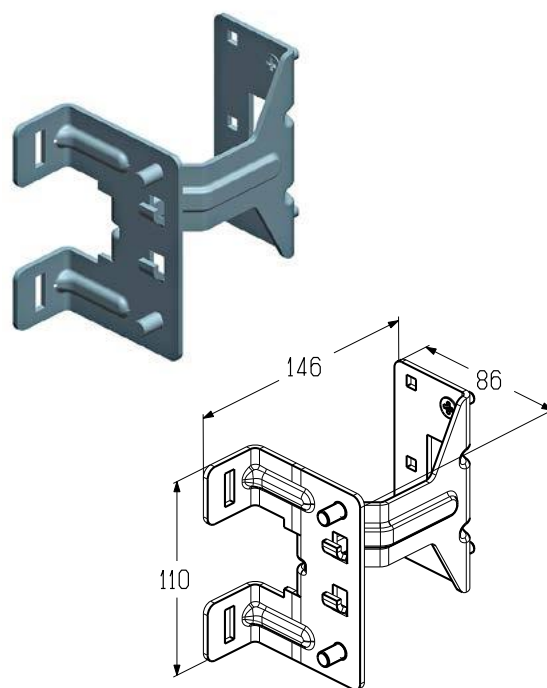
1.4

Кронштейн

Предназначен для крепления горизонтальных направляющих с мерной планкой и для крепления торсионного вала.
Используется в гаражных воротах с торсионными пружинами низкого типа монтажа.

Материал Оцинкованная сталь
Вес, кг/шт. 0,489
Единица измерения шт.
Норма поставки, шт. 20

Арт.	Код	Примечание	Розничная цена, евро с НДС
ТВТ-916L	402611700	Левый	6,80
ТВТ-916R	402611800	Правый	6,80



ШПОНКИ И КОЛЬЦА СТОПОРНЫЕ

УСТАНОВКА ШПОНОК



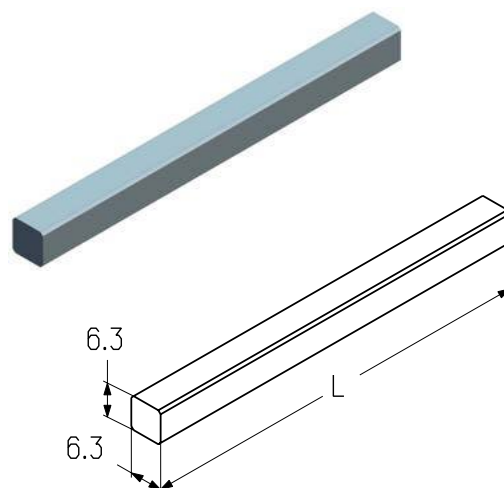
Шпонка

Предназначена для установки на вал сплошной (TSS, TSS-5/4).

Материал оцинкованная сталь

Единица измеренияшт.

Арт.	Код	Длина, мм	Вес, кг/шт.	Применение	Норма поставки, шт.	Розничная цена, евро с НДС
SKS-38	403970000	38	0,015	Устанавливается в храповую и соединительную муфты	1000	0,60
SKS-75	403970100	75	0,026	Устанавливается в барабан и наконечник пружинный (SF-95, SP-152, SP-152-5/4)	800	0,60



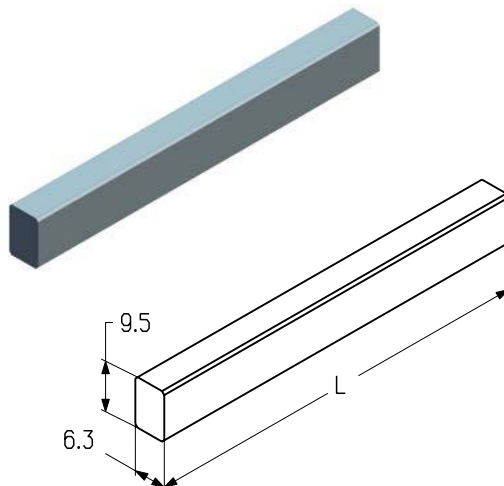
Шпонка

Предназначена для установки на вал пустотелый (TSH).

Материал оцинкованная сталь

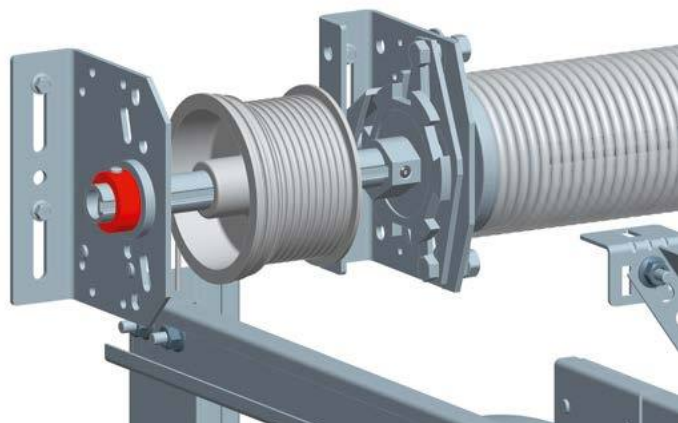
Единица измеренияшт.

Арт.	Код	Длина, мм	Вес, кг/шт.	Применение	Норма поставки, шт.	Розничная цена, евро с НДС
SKH-38	403970200	38	0,18	Устанавливается в храповую и соединительную муфты	1200	1,10
SKH-75	403970300	75	0,21	Устанавливается в барабан и наконечник пружинный (SF-95, SP-152, SP-152-5/4)	600	1,10

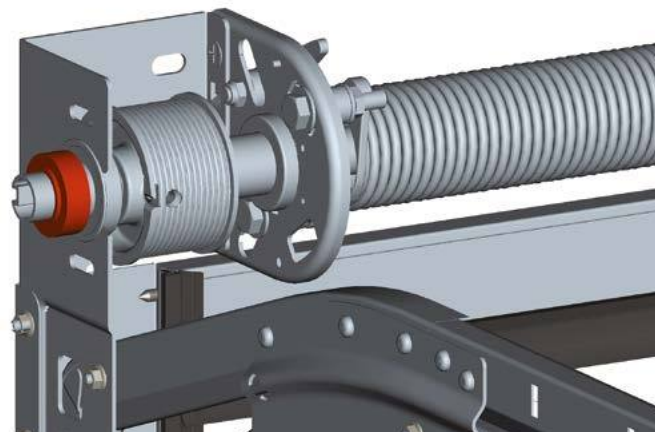


УСТАНОВКА КОЛЕЦ

Установка кольца промышленных ворот



Установка кольца гаражных ворот



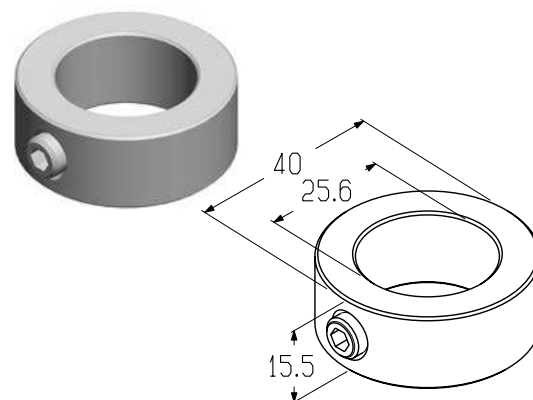
1.4

Кольцо

Предназначено для установки на вал диаметром 25,4 мм промышленных ворот всех типов монтажа.
Предотвращает осевое смещение вала.

Материал оцинкованная сталь
Вес, кг/шт. 0,1
Единица измерения шт.
Норма поставки, шт. 200

Арт.	Код	Розничная цена, евро с НДС
SCI-1	403960000	2,50

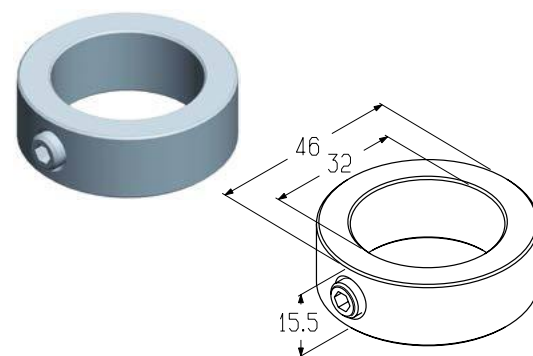


Кольцо

Предназначено для установки на вал диаметром 31,75 мм промышленных ворот всех типов монтажа.
Предотвращает осевое смещение вала.

Материал оцинкованная сталь
Вес, кг/шт. 0,15
Единица измерения шт.
Норма поставки, шт. 100

Арт.	Код	Розничная цена, евро с НДС
SCI-5/4	403960100	3,30

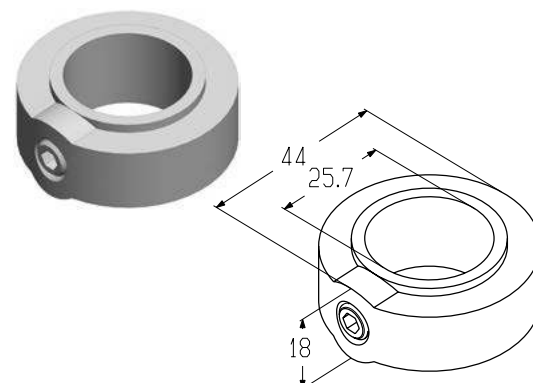


Кольцо

Предназначено для установки на вал диаметром 25,4 мм гаражных ворот с торсионными пружинами всех типов монтажа.
Предотвращает осевое смещение вала.

Материал полиамид
Вес, кг/шт. 0,1
Единица измерения шт.
Норма поставки, шт. 200

Арт.	Код	Розничная цена, евро с НДС
SCG-1	403960200	1,50



ШПОНКИ И КОЛЬЦА СТОПОРНЫЕ

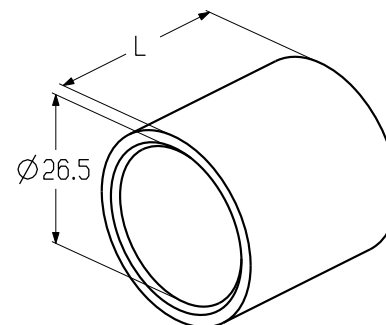
УСТАНОВКА КОЛЬЦА ДИСТАНЦИОННОГО



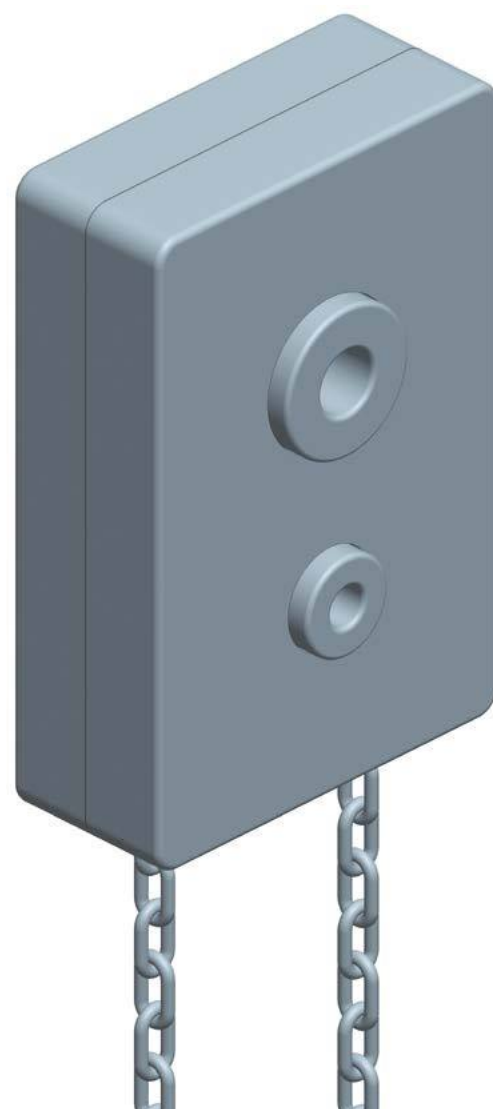
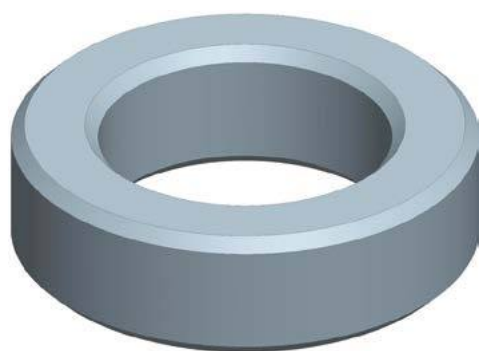
Кольцо дистанционное

Применяется для установки на вал диаметром 25,4 мм гаражных ворот с торсионными пружинами всех типов монтажа.
Предназначен для позиционирования барабана (CD010N и CD012N) относительно муфты храповой предохранительной (SBD-TR/L).

Материал PE-HD
Вес, кг/шт. 0,001
Единица измерения шт.
Норма поставки, шт.



Арт.	Код	Длина, мм	Применение	Норма поставки, шт.	Розничная цена, евро с НДС
DR-CD010	403961100	32	Совместно с барабаном (CD010N)	5200	0,30
DR-CD012	403961200	6	Совместно с барабаном (CD012N)	6000	0,20

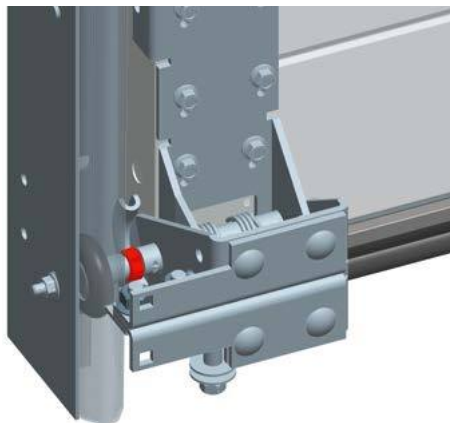


2

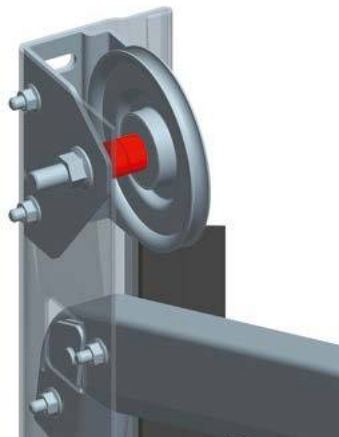
**ДОПОЛНИТЕЛЬНАЯ
КОМПЛЕКТАЦИЯ**

УСТАНОВКА КОЛЕЦ ДИСТАНЦИОННЫХ

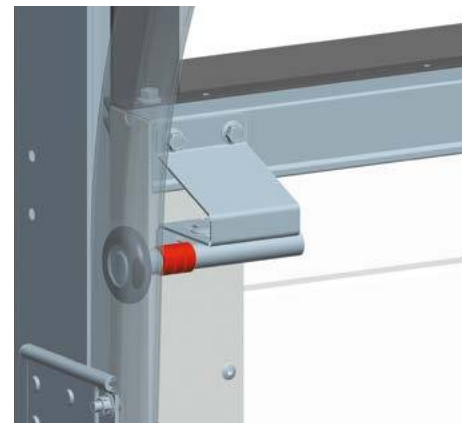
Кронштейн нижний



Ось шкива



Кронштейн боковой



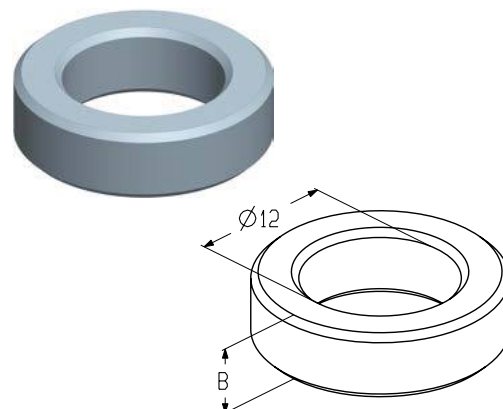
2

Кольцо дистанционное

Предназначено для установки на ролики ходовые кронштейна верхнего (RBI-40.127) и кронштейна нижнего (RBI-40.100R/L, RBI-40.100DR/L, RBI-40.110R/L, RBI-40.110DR/L). Используется в промышленных воротах всех типов монтажа.

Предназначено для установки на ось шкива.
Используется в промышленных воротах низкого и наклонного низкого типов монтажа.

Внутренний диаметр, мм 12
 Материал оцинкованная сталь
 Единица измерения шт.
 Норма поставки, шт. 200

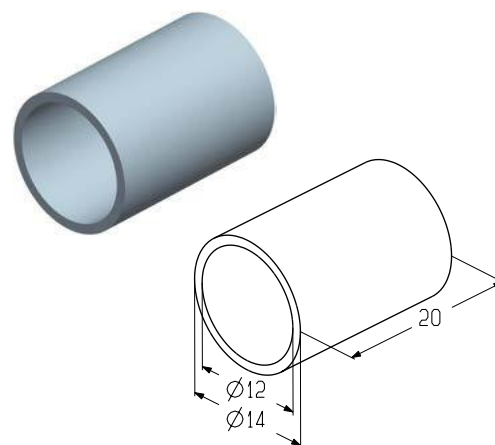


Арт.	Код	Ширина (B), мм	Вес, кг/шт.	Розничная цена, евро с НДС
DR-12-05	403960600	5	0,004	0,20
DR-12-07	403960700	7	0,006	0,30
DR-12-10	403960800	10	0,008	0,30

Втулка

Предназначена для предохранения троса от истирания.
 Устанавливается на ролики ходовые первого и второго снизу кронштейна бокового (RBI-40.123).
 Используется в промышленных воротах высокого, вертикального, наклонного высокого типов монтажа с нижним расположением вала.

Материал ПВХ
 Вес, кг/шт. 0,154
 Единица измерения шт.
 Норма поставки, шт. 50



Арт.	Код	Розничная цена, евро с НДС
I0500	403900000	0,15

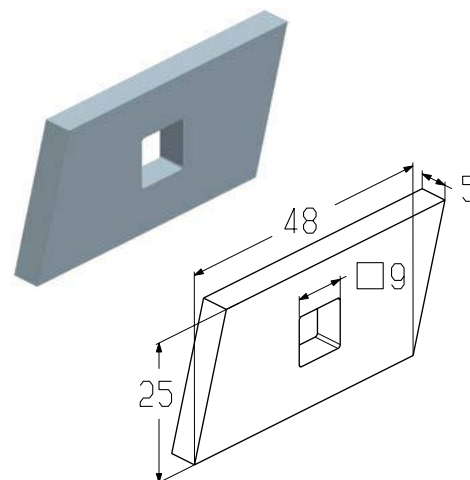
ДОПОЛНИТЕЛЬНАЯ КОМПЛЕКТАЦИЯ

Пластина закладная

Предназначена для:

- крепления демпфера к горизонтальным направляющим в промышленных воротах всех типов монтажа;
- крепления блока (НКУ-002) в гаражных воротах с пружинами растяжения и торсионными пружинами всех типов монтажа, промышленных воротах всех типов монтажа кроме вертикального, высокого, наклонного с нижним расположением вала.

Материал.....оцинкованная сталь
 Вес, кг/шт..... 0,04
 Единица измерения.....шт.
 Норма поставки, шт..... 100

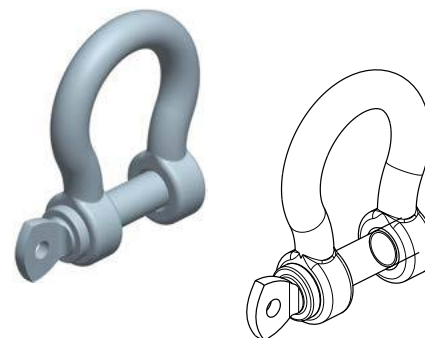


Арт.	Код	Розничная цена, евро с НДС
CP0506	403900100	1,15

Петля

Предназначена для крепления веревки (PR0503) к профилю угловому. Используется в промышленных воротах всех типов монтажа кроме низкого и наклонного низкого.

Материал.....оцинкованная сталь
 Вес, кг/шт..... 0,04
 Единица измерения.....шт.
 Норма поставки, шт..... 100

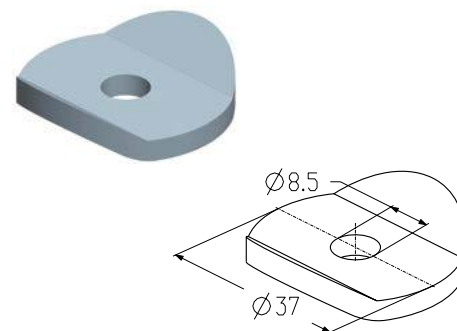


Арт.	Код	Розничная цена, евро с НДС
S0504	403900900	0,90

Крепление

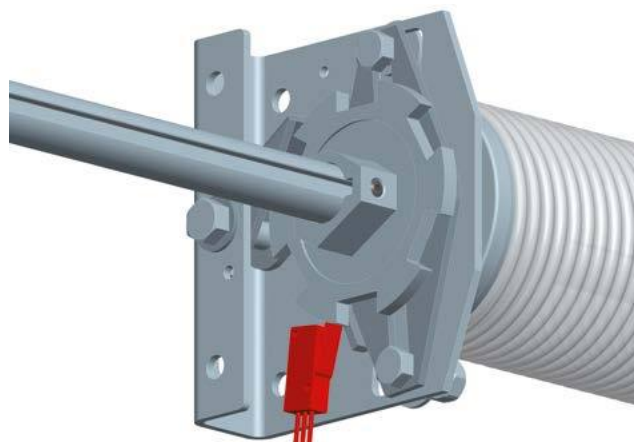
Предназначено для крепления веревки (PR0503) к кронштейну нижнему (RBI-40.100R/L, RBI-40.100DR/L, RBI-40.110R/L, RBI-40.110DR/L). Используется в промышленных воротах всех типов монтажа.

Материал.....оцинкованная сталь
 Вес, кг/шт..... 0,04
 Единица измерения.....шт.
 Норма поставки, шт..... 100



Арт.	Код	Розничная цена, евро с НДС
RC0505	403901000	1,20

УСТАНОВКА ДАТЧИКОВ БЕЗОПАСНОСТИ



2

Микрореле

Предназначено для остановки электропривода при поломке пружины.
Устанавливается совместно с муфтой храповой предохранительной.

Используется:

- в гаражных воротах с торсионными пружинами всех типов монтажа;
- в промышленных воротах всех типов монтажа.

Вес, кг/шт..... 0,03

Единица измерения.....шт.

Норма поставки, шт.....50

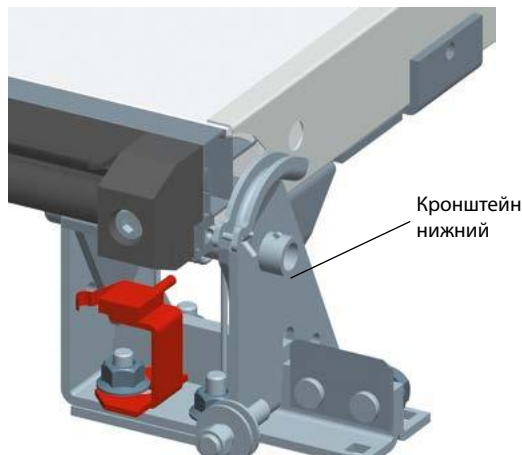


Арт.	Код	Розничная цена, евро с НДС
SS0402	403900200	24,00

ДОПОЛНИТЕЛЬНАЯ КОМПЛЕКТАЦИЯ

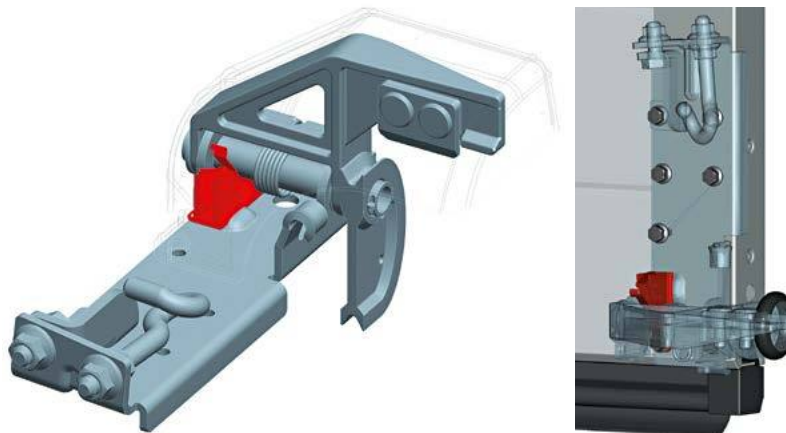
УСТАНОВКА ДАТЧИКОВ БЕЗОПАСНОСТИ

Реле SS446L/R



Кронштейн
нижний

Реле SS-40.100



2

Реле

Предназначено для остановки электропривода при обрыве троса.
Устанавливается совместно с кронштейном нижним
(RBI-40.110L/R, RBI-40.110DL/R, RBI-40.120L/R, RBI-40.120DL/R).
Используется в промышленных воротах всех типов монтажа.

Вес, кг/шт. 0,6
Единица измерения шт.
Норма поставки, шт. 25

Арт.	Код	Примечание	Розничная цена, евро с НДС
SS446L	403900300	Левый	9,00
SS446R	403900400	Правый	9,00

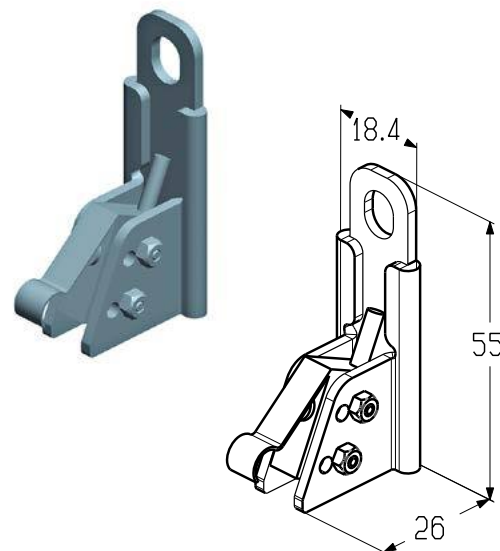


Реле

Предназначено для остановки электропривода при обрыве троса.
Устанавливается совместно с кронштейном нижним
(RBI-40.100R/L, RBI-40.100DR/L).
Используется в промышленных воротах всех типов монтажа.

Вес, кг/шт. 0,03
Единица измерения шт.
Норма поставки, шт. 200

Арт.	Код	Розничная цена, евро с НДС
SS-40.100	401200400	9,00

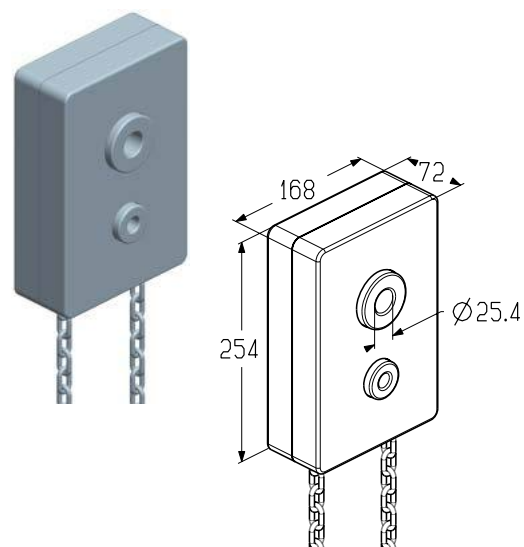


Редуктор цепной

Предназначен для подъема/опускания полотна ворот.
Используется в промышленных воротах всех типов монтажа.

Вес, кг/шт..... 5
Единица измерения.....шт.
Норма поставки, шт..... 1

Арт.	Код	Розничная цена, евро с НДС
CH0501	403900500	117,00

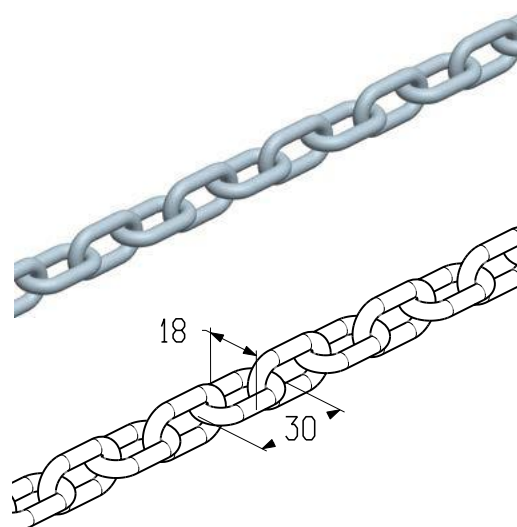


Цепь

Предназначена для удлинения цепи редуктора цепного (CH0501).
Используется в промышленных воротах всех типов монтажа.

Материал..... оцинкованная сталь
Вес, кг/м..... 0,5
Единица измерения м
Норма поставки, м..... 25

Арт.	Код	Розничная цена, евро с НДС
C0502	403900600	7,70



Веревка

Предназначена для опускания полотна ворот.
Используется:
• в гаражных воротах с торсионными пружинами всех типов монтажа;
• в промышленных воротах всех типов монтажа.

Вес, кг/м..... 0,04
Единица измерения..... м
Норма поставки, м..... 250

Арт.	Код	Розничная цена, евро с НДС
PR0503	403900700	2,50



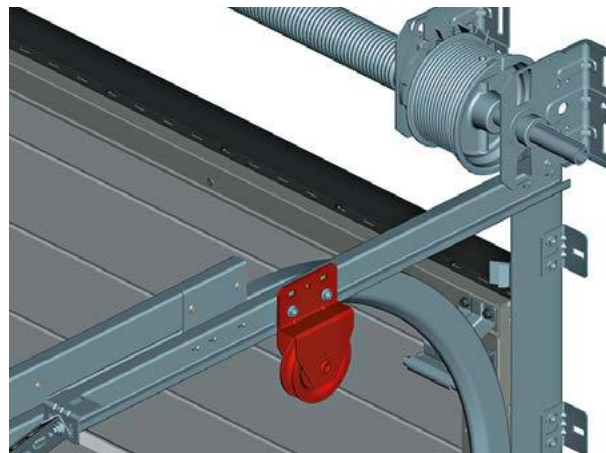
ДОПОЛНИТЕЛЬНАЯ КОМПЛЕКТАЦИЯ

УСТАНОВКА БЛОКА

Блок (НКУ-002) для гаражных ворот



Блок (НКУ001) для промышленных ворот

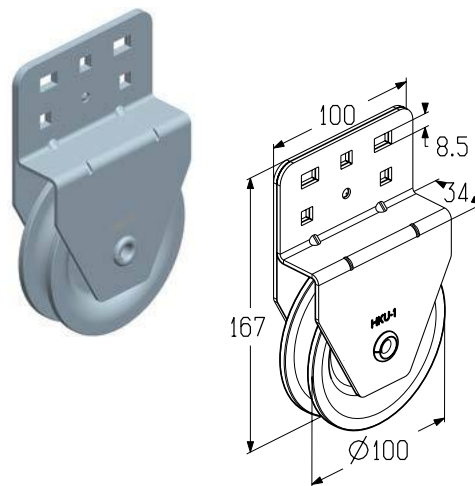


Блок

Предназначен для подъема/опускания полотна ворот.
Используется в промышленных воротах всех типов монтажа.

Вес, кг/шт..... 0,61
Единица измерения шт.
Норма поставки, шт. 10

Арт.	Код	Розничная цена, евро с НДС
НКУ001	403900800	23,10

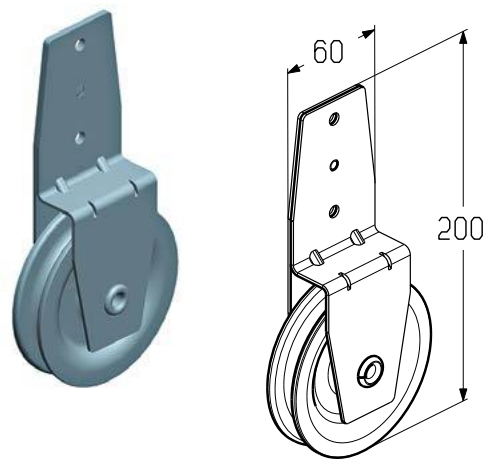


Блок

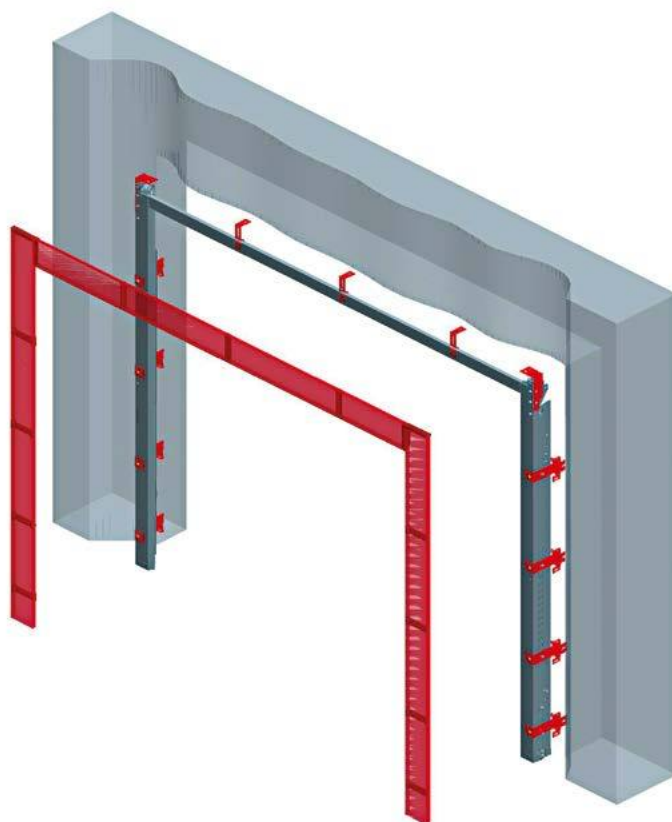
Предназначен для подъема/опускания полотна ворот.
Используется в гаражных воротах с пружинами растяжения и торсионными пружинами всех типов монтажа.

Вес, кг/шт..... 0,5
Единица измерения шт.
Норма поставки, шт. 54

Арт.	Код	Розничная цена, евро с НДС
НКУ-002	403902300	23,10



УСТАНОВКА КОМПЛЕКТА ВСТРОЕННОГО МОНТАЖА (МОНТАЖ В ПРОЕМ)



2

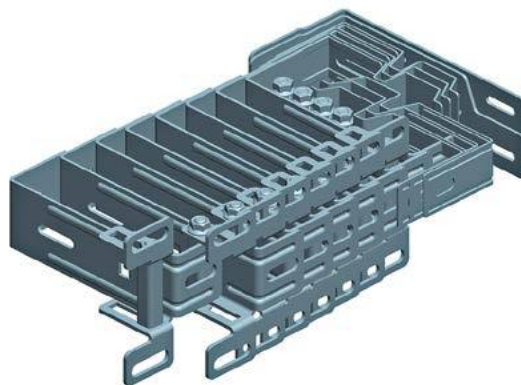
Комплект кронштейнов

Предназначен для крепления углового профиля (PRG-30) и профиля переднего (PRG-35) к проему. Входит в состав комплекта встроенного монтажа FWO100/145-40 и FWO145/145-40.

Используется в гаражных воротах с пружинами растяжения и торсионными пружинами низкого типа монтаж.

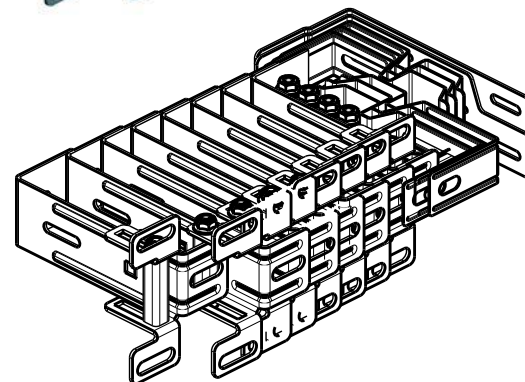
Состав комплекта:

- кронштейн профиля углового (B-3510FWO) — 8 шт.;
- кронштейн профиля углового (B-3511FWOL) — 1 шт.;
- кронштейн профиля углового (B-3511FWOR) — 1 шт.;
- кронштейн профиля переднего (B-3512FWO) — 3 шт. (монтаж перед проемом) или кронштейн профиля переднего (B-3513FWO) — 3 шт. (монтаж в проем).



Вес, кг/шт. 4,69
 Единица измеренияшт.
 Норма поставки, шт. 1

Арт.	Код	Розничная цена, евро с НДС
FWO100/145B-40	402952300	82,10



ДОПОЛНИТЕЛЬНАЯ КОМПЛЕКТАЦИЯ

Комплект крепежный

Предназначен для крепления комплекта нащельников (FWO100C) к угловому профилю (PRG-30). Входит в состав комплекта встроенного монтажа FWO100/145-40.

Используется в гаражных воротах с пружинами растяжения и торсионными пружинами низкого типа монтажа.

Состав комплекта:

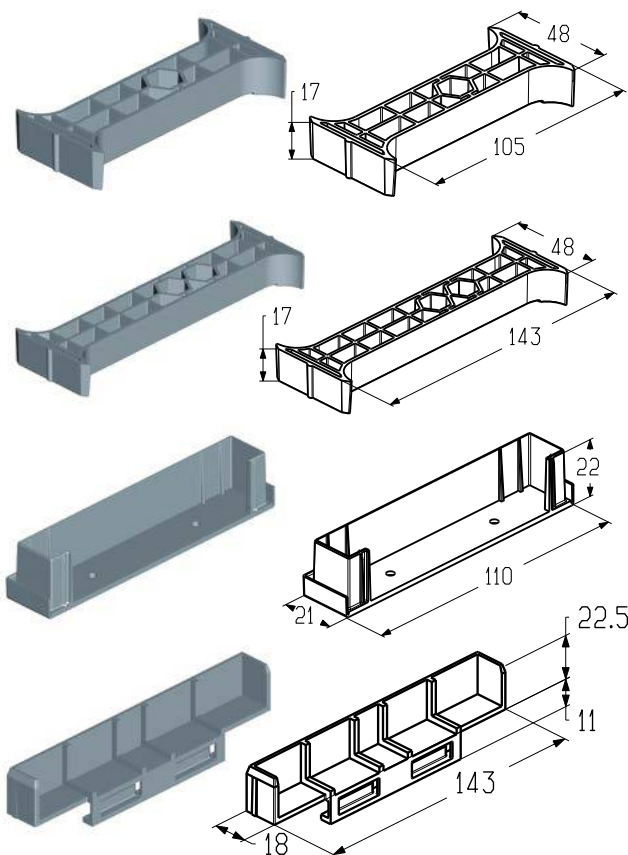
- сухарь для крепления боковых нащельников (8 шт.);
- сухарь для крепления профиля переднего (4 шт.);
- заглушка для нащельников (4 шт.);
- заглушка для верхнего нащельника (2 шт.).

Вес, кг/шт.0,529

Единица измеренияшт.

Норма поставки, шт. 1

Арт.	Код	Розничная цена, евро с НДС
FWO100F	402950800	34,00



Комплект крепежный

Предназначен для крепления комплекта нащельников (FWO145C) к угловому профилю (PRG-30). Входит в состав комплекта встроенного монтажа FWO145/145-40.

Используется в гаражных воротах с пружинами растяжения и торсионными пружинами низкого типа монтажа.

Состав комплекта:

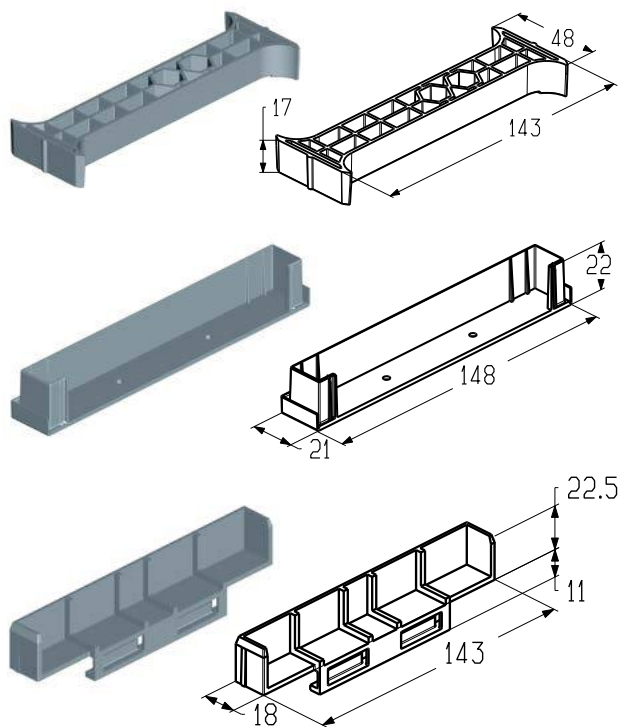
- сухарь для крепления верхнего и боковых нащельников (12 шт.);
- заглушка для нащельников (4 шт.);
- заглушка для верхнего нащельника (2 шт.).

Вес, кг/шт.0,584

Единица измеренияшт.

Норма поставки, шт. 1

Арт.	Код	Розничная цена, евро с НДС
FWO145F	402951200	40,00



Комплект нащельников

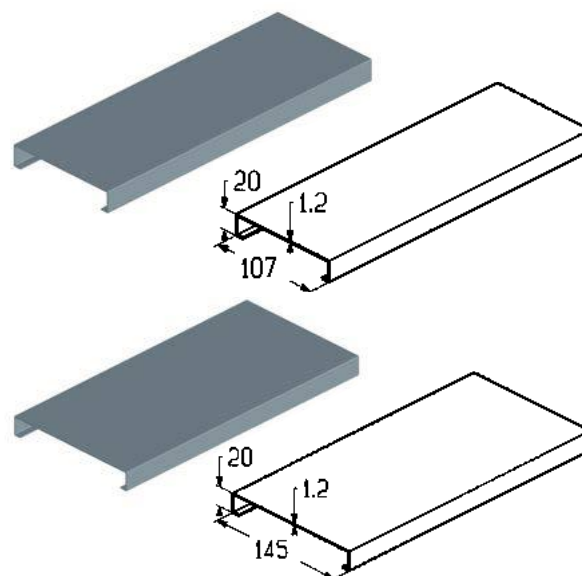
Предназначен для установки совместно с угловым профилем (PRG-30).
Входит в состав комплекта встроенного монтажа FWO100/145-40.
Используется в гаражных воротах с пружинами растяжения и торсионными пружинами низкого типа монтажа.

Состав комплекта:

- профиль воротный арт. PRD33 (боковой нащельник 2 шт.);
- профиль воротный арт. PRD34 (верхний нащельник 1 шт.).

Материал.....алюминий
Покрытие..... полимерное
Цвет..... RAL9016, RAL8014, RAL8017, ADS703
Единица измеренияк-т
Норма поставки, к-т 1

Арт.	Код	Розничная цена, евро с НДС
FWO100C	402950900	119,00



2

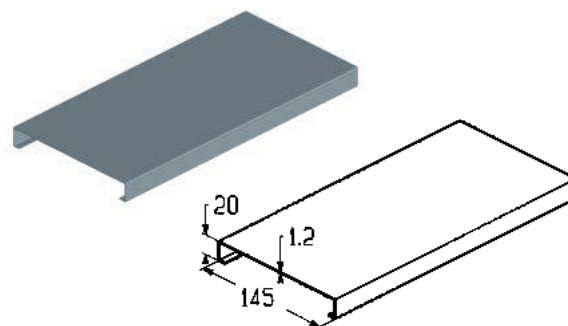
Комплект нащельников

Предназначен для установки совместно с угловым профилем (PRG-30).
Входит в состав комплекта встроенного монтажа FWO145/145-40.
Используется в гаражных воротах с пружинами растяжения и торсионными пружинами низкого типа монтажа.

Состав комплекта: профиль воротный арт. PRD34
(верхний нащельник 1 шт., боковой нащельник 2 шт.).

Материал.....алюминий
Покрытие..... полимерное
Цвет..... RAL9016, RAL8014, RAL8017, ADS703
Единица измеренияк-т
Норма поставки, к-т..... 1

Арт.	Код	Розничная цена, евро с НДС
FWO145C	402951300	138,00



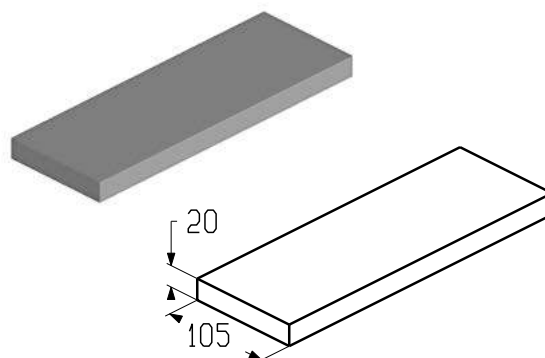
ДОПОЛНИТЕЛЬНАЯ КОМПЛЕКТАЦИЯ

Утеплитель

Предназначен для установки совместно с комплектом нащельников (FWO100C).

Материал..... вспененный полиэтилен
 Вес, кг/м..... 0,07
 Единица измеренияМ
 Норма поставки, м50

Арт.	Код	Розничная цена, евро с НДС
FWO100H	402951700	6,30



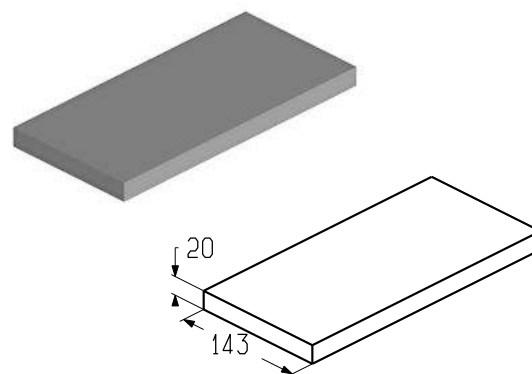
2

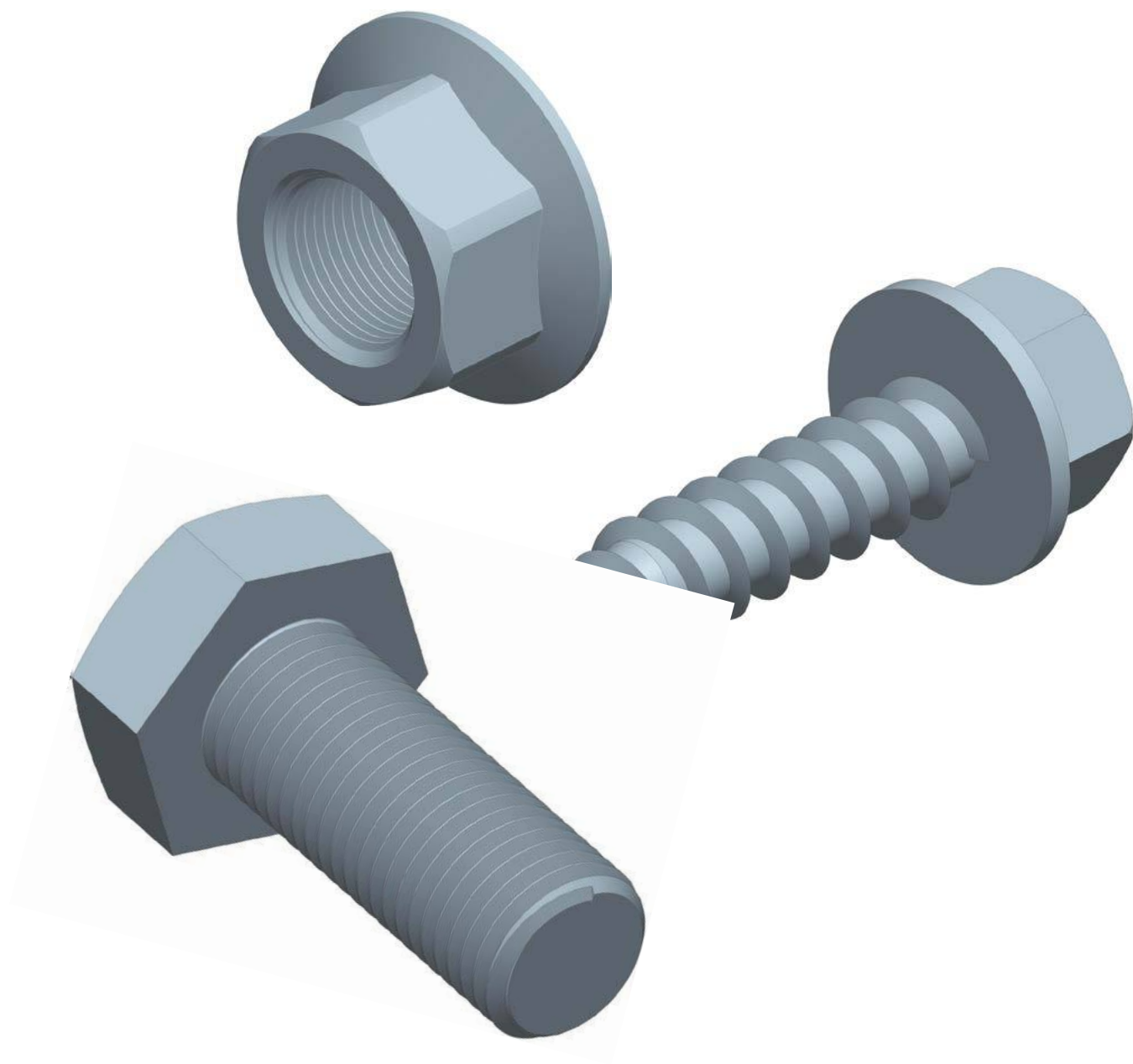
Уплотнитель

Предназначен для установки совместно с комплектом нащельников (FWO145C).

Материал..... вспененный полиэтилен
 Вес, кг/м..... 0,1
 Единица измеренияМ
 Норма поставки, м50

Арт.	Код	Розничная цена, евро с НДС
FWO145H	402951800	8,50

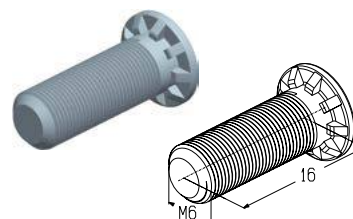




Болт М6×16

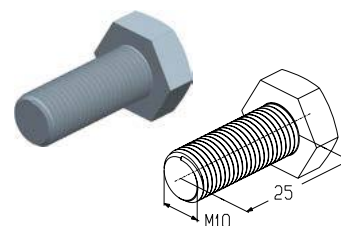
Резьба М6
 Длина, мм 16
 Материал оцинкованная сталь
 Вес, кг/шт. 0,007
 Единица измерения шт.
 Норма поставки, шт. 5000

Арт.	Код	Розничная цена, евро с НДС
M6x16BP	408320100	0,20


Болт М10×25

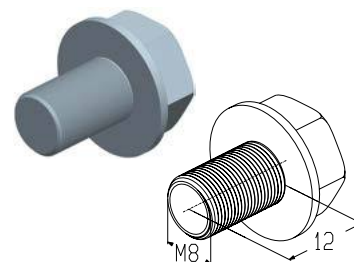
Резьба М10
 Длина, мм 25
 Материал оцинкованная сталь
 Вес, кг/шт. 0,025
 Единица измерения шт.
 Норма поставки, шт. 1000

Арт.	Код	Розничная цена, евро с НДС
M10x25B	408320200	0,50


Болт

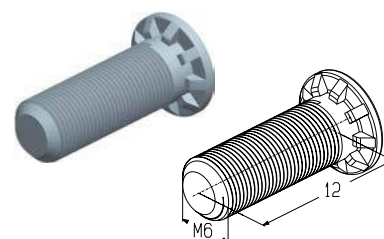
Резьба М8
 Длина, мм 12
 Материал оцинкованная сталь
 Вес, кг/шт. 0,01
 Единица измерения шт.
 Норма поставки, шт. 1800

Арт.	Код	Розничная цена, евро с НДС
M8x12B	408320300	0,25


Пресс-болт

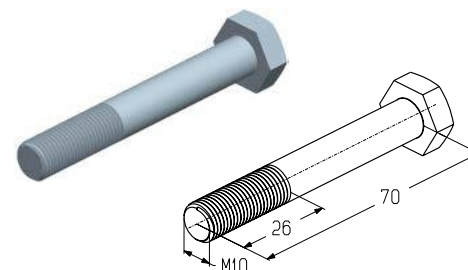
Резьба М6
 Длина, мм 12
 Материал оцинкованная сталь
 Вес, кг/шт. 0,024
 Единица измерения шт.
 Норма поставки, шт. 10000

Арт.	Код	Розничная цена, евро с НДС
M6x12BP	408320500	0,10


Болт

Резьба М10
 Длина, мм 70
 Материал оцинкованная сталь
 Вес, кг/шт. 0,05
 Единица измерения шт.
 Норма поставки, шт. 200

Арт.	Код	Розничная цена, евро с НДС
M10x70B	408320600	1,00

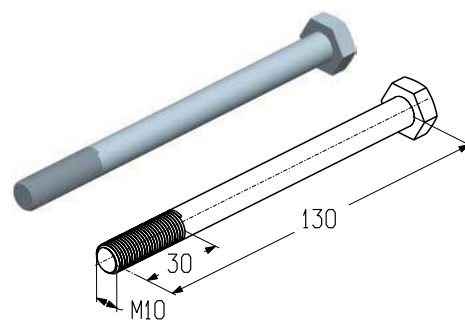


МЕТИЗЫ

Болт М10×130

Резьба М10
 Длина, мм 130
 Материал оцинкованная сталь
 Вес, кг/шт. 0,04
 Единица измерения шт.
 Норма поставки, шт. 260

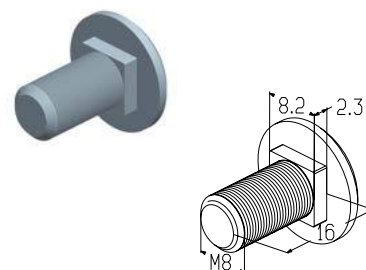
Арт.	Код	Розничная цена, евро с НДС
M10x130B	408320700	0,90



Болт М6×12

Резьба М8
 Длина, мм 16
 Материал оцинкованная сталь
 Вес, кг/шт. 0,006
 Единица измерения шт.
 Норма поставки, шт. 2500

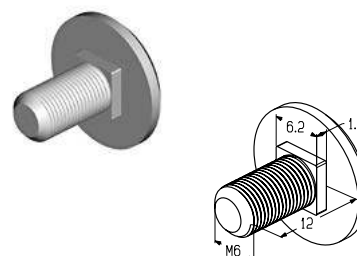
Арт.	Код	Розничная цена, евро с НДС
M8x16BKL	408320800	0,15



Болт

Резьба М6
 Длина, мм 12
 Материал оцинкованная сталь
 Вес, кг/шт. 0,008
 Единица измерения шт.
 Норма поставки, шт. 3000

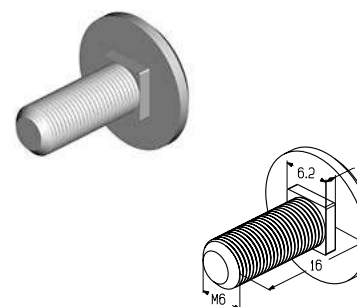
Арт.	Код	Розничная цена, евро с НДС
M6x12BKL	408321000	0,15



Болт

Резьба М6
 Длина, мм 16
 Материал оцинкованная сталь
 Вес, кг/шт. 0,006
 Единица измерения шт.
 Норма поставки, шт. 3500

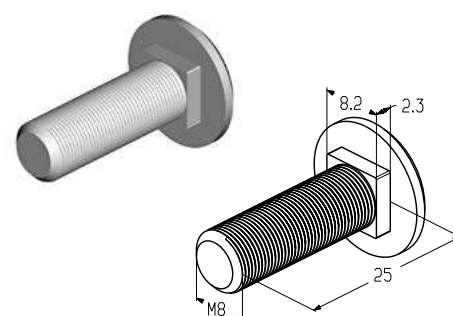
Арт.	Код	Розничная цена, евро с НДС
M6x16BKL	408310200	0,15



Болт

Резьба М8
 Длина, мм 25
 Материал оцинкованная сталь
 Вес, кг/шт. 0,01
 Единица измерения шт.
 Норма поставки, шт. 1500

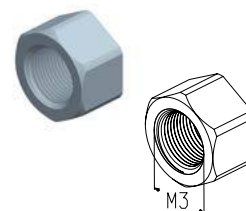
Арт.	Код	Розничная цена, евро с НДС
M8x25BKL	408310500	0,25



Гайка

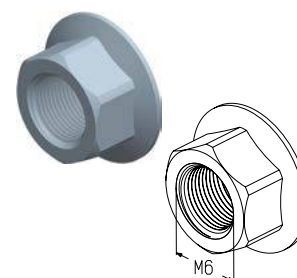
Резьба M3
 Материал оцинкованная сталь
 Вес, кг/шт. 0,0004
 Единица измерения шт.
 Норма поставки, шт. 1000

Арт.	Код	Розничная цена, евро с НДС
M3N	408120000	0,10


Гайка M6

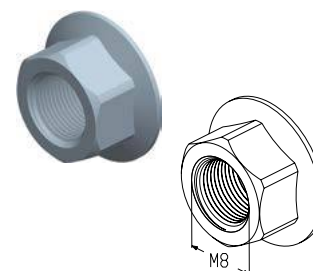
Резьба M6
 Материал оцинкованная сталь
 Вес, кг/шт. 0,003
 Единица измерения шт.
 Норма поставки, шт. 7500

Арт.	Код	Розничная цена, евро с НДС
M6N	408120100	0,10


Гайка M8

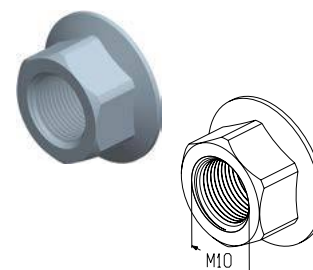
Резьба M8
 Материал оцинкованная сталь
 Вес, кг/шт. 0,007
 Единица измерения шт.
 Норма поставки, шт. 3500

Арт.	Код	Розничная цена, евро с НДС
M8N	408120200	0,10


Гайка M10

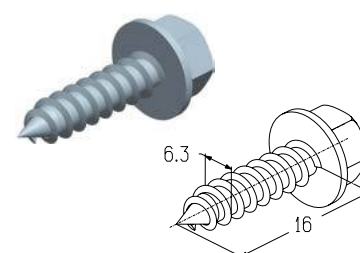
Резьба M10
 Материал оцинкованная сталь
 Вес, кг/шт. 0,013
 Единица измерения шт.
 Норма поставки, шт. 2000

Арт.	Код	Розничная цена, евро с НДС
M10N	408120300	0,20


Винт самонарезающий 6,3×16

Диаметр, мм 6,3
 Длина, мм 16
 Материал оцинкованная сталь
 Вес, кг/шт. 0,006
 Единица измерения шт.
 Норма поставки, шт. 3500

Арт.	Код	Розничная цена, евро с НДС
6,3×16S	408020100	0,10

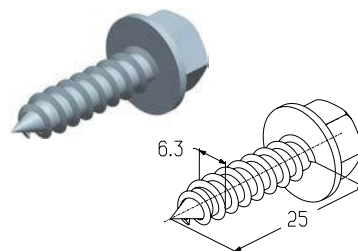


МЕТИЗЫ

Винт самонарезающий 6.3×25

Диаметр, мм6,3
 Длина, мм25
 Материал нержавеющая сталь
 Вес, кг/шт.....0,008
 Единица измеренияшт.
 Норма поставки, шт.2000

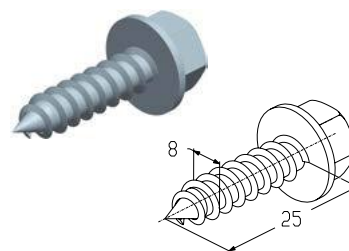
Арт.	Код	Розничная цена, евро с НДС
6,3×25S-SS	408010000	1,00



Винт самонарезающий

Диаметр, мм8
 Длина, мм25
 Материал оцинкованная сталь
 Вес, кг/шт.....0,0014
 Единица измеренияшт.
 Норма поставки, шт.1000

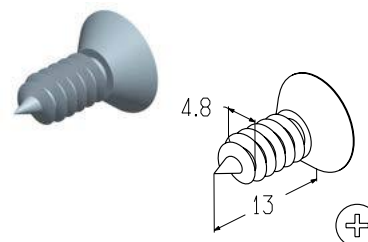
Арт.	Код	Розничная цена, евро с НДС
8×25S	408020200	0,20



Винт самонарезающий DIN7982

Диаметр, мм4,8
 Длина, мм9,5
 Материал оцинкованная сталь
 Вес, кг/шт.....0,25
 Единица измеренияшт.
 Норма поставки, шт.13000

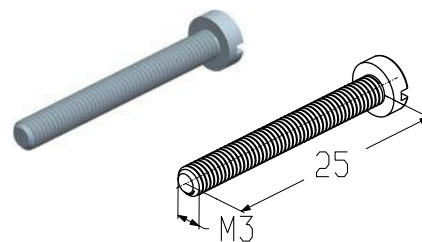
Арт.	Код	Розничная цена, евро с НДС
4,8×9,5SDX	408620000	0,20



Винт

Резьба M3
 Длина, мм25
 Материал оцинкованная сталь
 Вес, кг/шт.....0,001
 Единица измеренияшт.
 Норма поставки, шт.2000

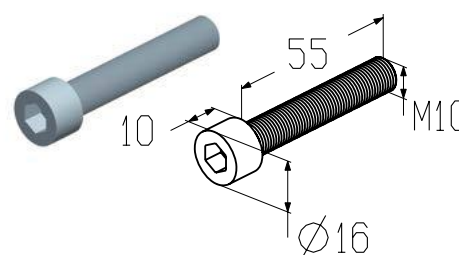
Арт.	Код	Розничная цена, евро с НДС
M3×25S	408020400	0,10



Винт DIN912

Резьба M10
 Длина, мм55
 Материал оцинкованная сталь
 Вес, кг/шт.....0,02
 Единица измеренияшт.
 Норма поставки, шт.1000

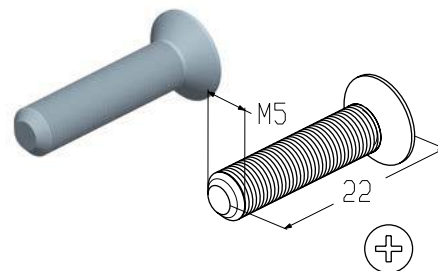
Арт.	Код	Розничная цена, евро с НДС
M10×55SCOL	408020800	0,55

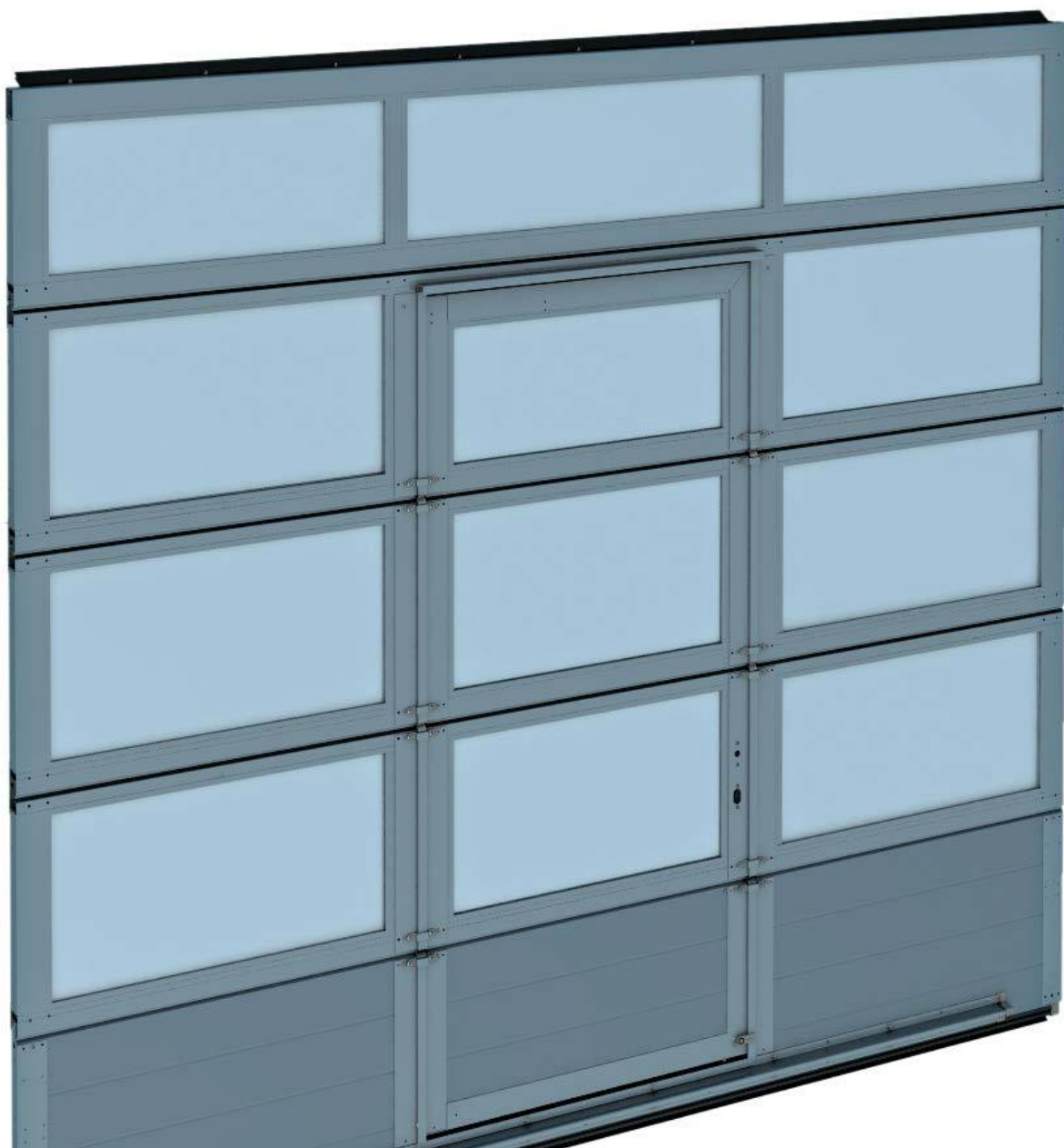


Винт DIN965




Резьба M5
 Длина, мм 22
 Материал оцинкованная сталь
 Вес, кг/шт. 0,003
 Единица измерения шт.
 Норма поставки, шт. 800

Арт.	Код	Розничная цена, евро с НДС
M5×22SDX	408020900	0,10





РЕМОНТНЫЕ УЗЛЫ

	
ООО "Алютех Воротные Системы" 220075, г. Минск, ул. Инженерная, 4-4. Тел: +375 (017) 299-62-22	
ВОРОТА СЕКЦИОННЫЕ ПОДЪЕМНЫЕ ТУ РБ 101452725.002-2000	
Заказ:	150114-6/ 758683
Размер ворот, мм:	2450X1990
Масса ворот, кг:	69
Экспертный №:	0114112002599
Дата производства:	27.01.2014
 481084500193	

ПРАВИЛА ПРИ ЗАКАЗЕ РЕМОНТНЫХ УЗЛОВ

В данной части каталога размещена информация о типовых ремонтных узлах для секционных ворот.

Ремонтный узел является индивидуальным изделием, т.к. заказывается для конкретных ворот. В каталоге представлен типовой состав каждого ремонта, который может изменяться в зависимости от ворот, для которых он предназначен.

При заказе ремонтного узла необходимо указать:

1. Заводской номер ворот, указанный на табличке изделия.
2. Описание требуемого ремонтного узла.
3. Артикул и наименование ремонтного узла.

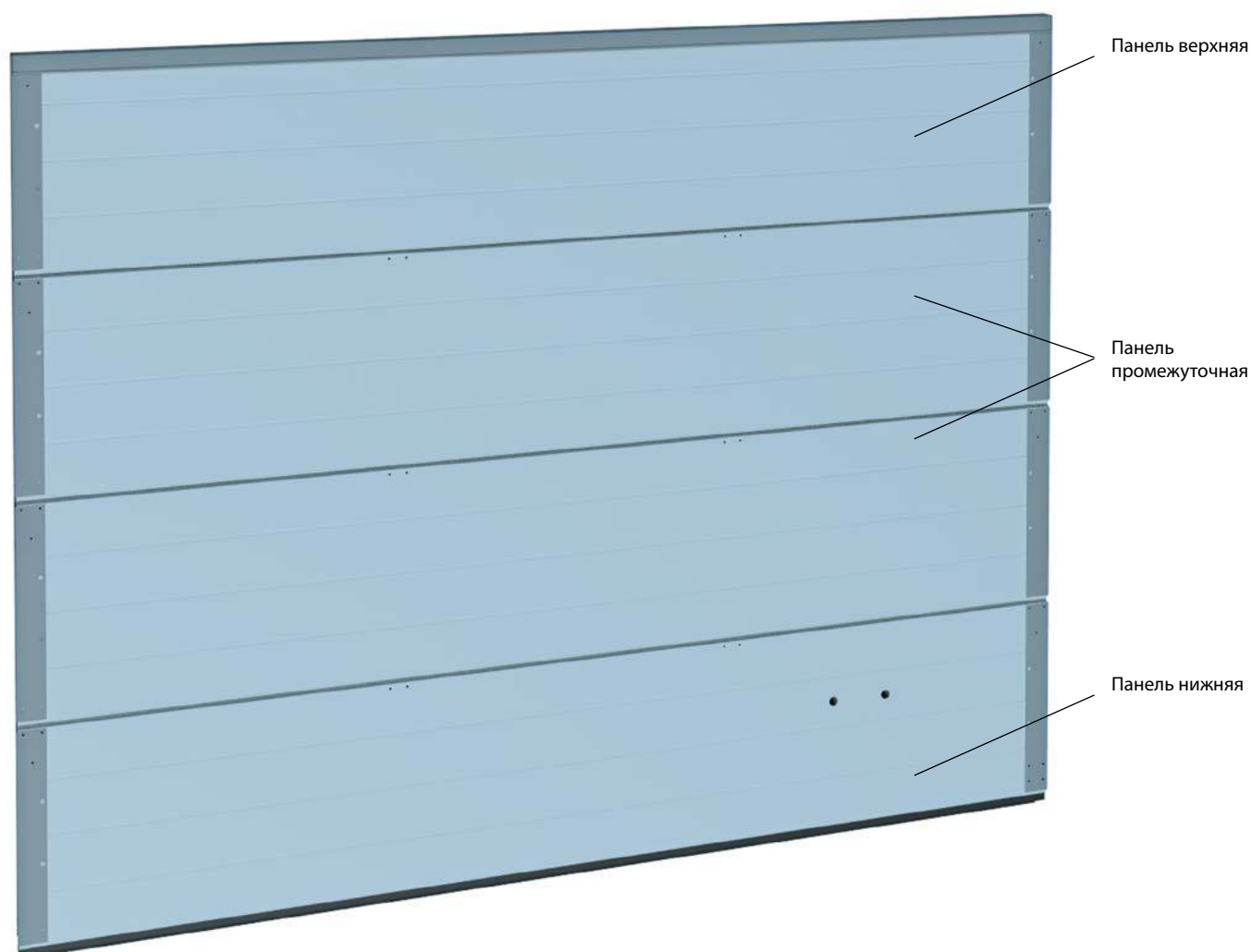
ФОРМИРОВАНИЕ ЦЕНЫ

Рекомендуемая розничная цена* = (цена в каталоге) × (коэффициент рем. узлов 0,85)

Дилерская цена = (розничная цена) - (% скидки клиента)

* В каталоге указаны рекомендуемые розничные цены, которые не учитывают региональные наценки, стоимость доставки и замены комплектующей или узла на объекте заказчика.

ТИПОВАЯ КОНСТРУКЦИЯ ПОЛОТНА ВОРОТ БЕЗ КАЛИТКИ



ПОЛОТНО ВОРОТ БЕЗ КАЛИТКИ

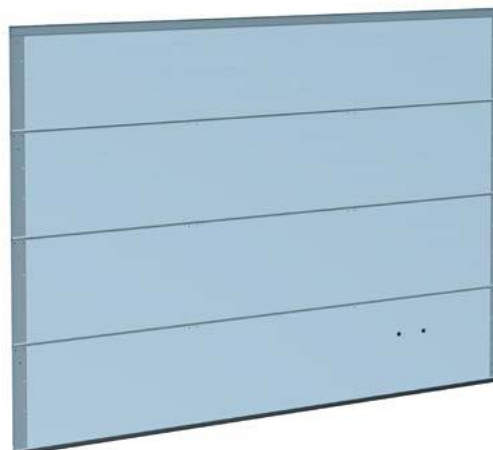
Полотно воротное

Тип ворот:

- гаражные ворота Trend с торсионными пружинами без калитки всех типов монтажа;
- гаражные ворота Trend с пружинами растяжения;
- промышленные ворота ProTrend без калитки всех типов монтажа.

Состав: сэндвич-панели с боковыми накладками, верхний и нижний концевой профиль, нижняя уплотнительная вставка, упоры нижние.

Единица измеренияшт.



Арт.	Тип полотна	Цвет	Розничная цена, евро с НДС/м ²	
			Шириной до 5 м	Шириной свыше 5 м
GLG-3T	«Микроволна», «S-гофр»	RAL9016, 8014, 9006, 5010, 1015, 3004, 6005, 8017, 7016, ADS703*	102,00	115,00
	«L-гофр»	RAL9016, 8014, 7016, ADS703*	102,00	115,00
	«M-гофр»	RAL9016, 8014, 7016*	102,00	115,00
	«S-гофр», «M-гофр» и «L-гофр»	Золотой дуб, Темный дуб, Вишня	117,00	133,00
GLG-4T	«Филенка»	Другой цвет по каталогу RAL*	+ 15 % к стоимости стандартного цвета	
		RAL9016, 8014*	117,00	—
		Золотой дуб, Темный дуб	135,00	—
		Другой цвет по каталогу RAL*	+ 15 % к стоимости стандартного цвета	

* Указанные цвета имеют близкое соответствие шкале RAL.

Панель нижняя

Тип ворот:

- гаражные ворота Trend с торсионными пружинами без калитки всех типов монтажа;
- гаражные ворота Trend с пружинами растяжения;
- промышленные ворота ProTrend без калитки всех типов монтажа.

Состав: нижняя сэндвич-панель с боковыми накладками, нижний концевой профиль, нижняя уплотнительная вставка, упоры нижние.

Единица измеренияшт.



Арт.	Тип полотна	Цвет*	Розничная цена, евро с НДС/м	
			Шириной до 5 м	Шириной свыше 5 м
LPU-27T	«Микроволна», «S-гофр»	RAL9016, 8014, 9006, 5010, 1015, 3004, 6005, 8017, 7016, ADS703*	68,00	82,00
	«L-гофр»	RAL9016, 8014, 7016, ADS703*	68,00	82,00
	«M-гофр»	RAL9016, 8014, 7016*	68,00	82,00
	«S-гофр», «M-гофр» и «L-гофр»	Золотой дуб, Темный дуб, Вишня	79,00	95,00
LPF-1T	«Филенка»	Другой цвет по каталогу RAL*	+ 15 % к стоимости стандартного цвета	
		RAL9016, 8014*	78,00	—
		Золотой дуб, Темный дуб	91,00	—
		Другой цвет по каталогу RAL*	+ 15 % к стоимости стандартного цвета	

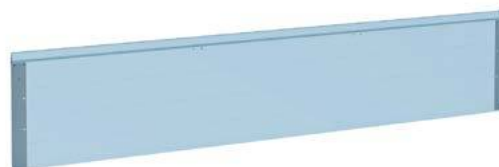
* Указанные цвета имеют близкое соответствие шкале RAL.

Панель промежуточная

Тип ворот:

- гаражные ворота Trend с торсионными пружинами без калитки всех типов монтажа;
- гаражные ворота Trend с пружинами растяжения;
- промышленные ворота ProTrend без калитки всех типов монтажа.

Состав: промежуточная сэндвич-панель с боковыми накладками.



Единица измеренияшт.

Арт.	Тип полотна	Цвет	Розничная цена, евро с НДС/м	
			Шириной до 5 м	Шириной свыше 5 м
LPU-28T	«Микроволна», «S-гофр»	RAL9016, 8014, 9006, 5010, 1015, 3004, 6005, 8017, 7016, ADS703*	56,00	68,00
	«L-гофр»	RAL9016, 8014, 7016, ADS703*	56,00	68,00
	«M-гофр»	RAL9016, 8014, 7016*	56,00	68,00
	«S-гофр», «M-гофр» и «L-гофр»	Золотой дуб, Темный дуб, Вишня	65,00	79,00
	«Микроволна», «S-гофр», «M-гофр» и «L-гофр»	Другой цвет по каталогу RAL*	+ 15 % к стоимости стандартного цвета	
LPF-2T	«Филенка»	RAL9016, 8014*	64,00	—
		Золотой дуб, Темный дуб	74,00	—
		Другой цвет по каталогу RAL*	+ 15 % к стоимости стандартного цвета	—

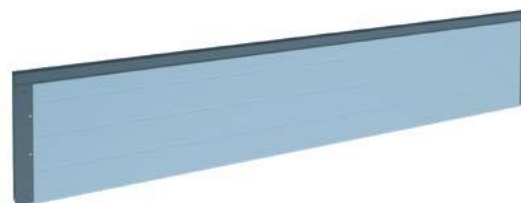
* Указанные цвета имеют близкое соответствие шкале RAL.

Панель верхняя

Тип ворот:

- гаражные ворота Trend с торсионными пружинами без калитки всех типов монтажа;
- гаражные ворота Trend с пружинами растяжения;
- промышленные ворота ProTrend без калитки всех типов монтажа.

Состав: верхняя сэндвич-панель с боковыми накладками, верхний концевой профиль, верхний уплотнитель (ProTrend).



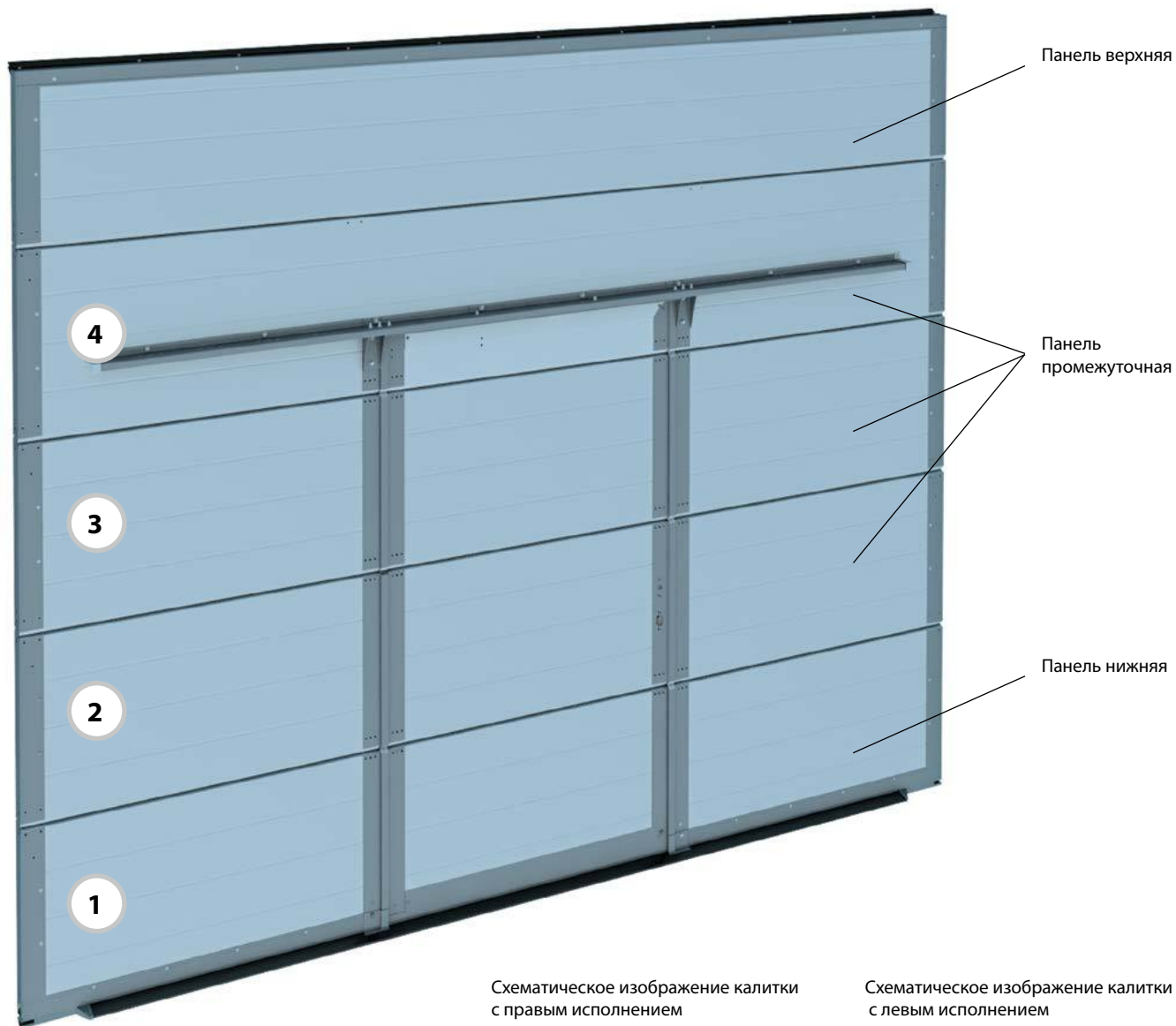
Единица измеренияшт.

Арт.	Тип полотна	Цвет*	Розничная цена, евро с НДС/м	
			Шириной до 5 м	Шириной свыше 5 м
LPU-29T	«Микроволна», «S-гофр»	RAL9016, 8014, 9006, 5010, 1015, 3004, 6005, 8017, 7016, ADS703*	62,00	75,00
	«L-гофр»	RAL9016, 8014, 7016, ADS703*	62,00	75,00
	«M-гофр»	RAL9016, 8014, 7016*	62,00	75,00
	«S-гофр», «M-гофр» и «L-гофр»	Золотой дуб, Темный дуб, Вишня	72,00	86,00
	«Микроволна», «S-гофр», «M-гофр» и «L-гофр»	Другой цвет по каталогу RAL*	+ 15 % к стоимости стандартного цвета	
LPF-3T	«Филенка»	RAL9016, 8014*	71,00	—
		Золотой дуб, Темный дуб	82,00	—
		Другой цвет по каталогу RAL*	+ 15 % к стоимости стандартного цвета	—

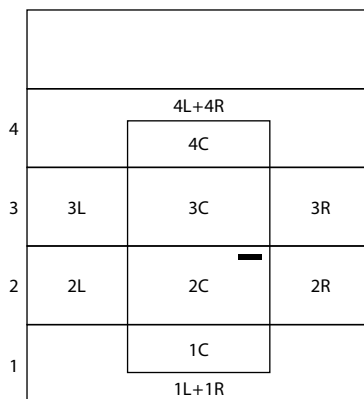
* Указанные цвета имеют близкое соответствие шкале RAL.

ПОЛОТНО ВОРОТ С КАЛИТКОЙ

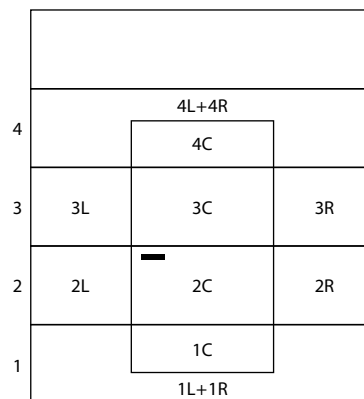
**ТИПОВАЯ КОНСТРУКЦИЯ ПОЛОТНА ВОРОТ СО ВСТРОЕННОЙ КАЛИТКОЙ
(НА ПРИМЕРЕ КАЛИТКИ С ПЛОСКИМ ПОРОГОМ)**



Схематическое изображение калитки с правым исполнением



Схематическое изображение калитки с левым исполнением



при взгляде изнутри

Полотно воротное

Тип ворот:

- гаражные ворота Trend с торсионными пружинами всех типов монтажа;
- промышленные ворота ProTrend всех типов монтажа.

Тип калитки: с плоским порогом 18 мм, с низким порогом 100 мм, со стандартным порогом 145 мм.

Состав: сэндвич-панели с боковыми накладками, верхний и нижний концевой профиль, нижняя уплотнительная вставка, верхняя уплотнительная вставка (ProTrend) комплект калиточных профилей и замок калитки, усиливающие профили калитки, упоры нижние.

Единица измеренияшт.

Арт.	Тип полотна	Цвет	Применение	Розничная цена, евро с НДС/м ²
GLG-1T	«Микроволна», «S-гофр»	RAL9016, 8014, 9006, 5010, 1015, 3004, 6005, 8017, 7016, ADS703*	Для ворот с правой калиткой	178,00
	«S-гофр»	Золотой дуб, Темный дуб, Вишня		205,00
	«Микроволна», «S-гофр»	Другой цвет по каталогу RAL*		+15 % к стоимости стандартного цвета
GLG-2T	«Микроволна», «S-гофр»	RAL9016, 8014, 9006, 5010, 1015, 3004, 6005, 8017, 7016, ADS703*	Для ворот с левой калиткой	178,00
	«S-гофр»	Золотой дуб, Темный дуб, Вишня		205,00
	«Микроволна», «S-гофр»	Другой цвет по каталогу RAL*		+15 % к стоимости стандартного цвета

* Указанные цвета имеют близкое соответствие шкале RAL.



Калитка с плоским порогом 18 мм



Калитка с низким порогом 100 мм



Калитка со стандартным порогом 145 мм

ПОЛОТНО ВОРОТ С КАЛИТКОЙ

Панель нижняя

Тип ворот:

- гаражные ворота Trend с торсионными пружинами всех типов монтажа;
- промышленные ворота ProTrend всех типов монтажа.

Тип калитки: с плоским порогом 18 мм, с низким порогом 100 мм, со стандартным порогом 145 мм.

Состав: нижняя сэндвич-панель с боковыми накладками, нижний концевой профиль, нижняя уплотнительная вставка, комплект калиточных профилей для нижней панели, нижний усиливающий профиль калитки, упоры нижние.

Единица измеренияшт.

Арт.	Тип полотна	Цвет	Применение	Розничная цена, евро с НДС/м
LPU-1T	«Микроволна», «S-гофр»	RAL9016, 8014, 9006, 5010, 1015, 3004, 6005, 8017, 7016, ADS703*	Для ворот с правой калиткой	120,00
	«S-гофр»	Золотой дуб, Темный дуб, Вишня		138,00
	«Микроволна», «S-гофр»	Другой цвет по каталогу RAL*		+15 % к стоимости стандартного цвета
LPU-15T	«Микроволна», «S-гофр»	RAL9016, 8014, 9006, 5010, 1015, 3004, 6005, 8017, 7016, ADS703*	Для ворот с левой калиткой	120,00
	«S-гофр»	Золотой дуб, Темный дуб, Вишня		138,00
	«Микроволна», «S-гофр»	Другой цвет по каталогу RAL*		+15 % к стоимости стандартного цвета

* Указанные цвета имеют близкое соответствие шкале RAL.



Калитка с плоским порогом 18 мм



Калитка с низким порогом 100 мм



Калитка со стандартным порогом 145 мм

Панель нижняя

Тип ворот:

- гаражные ворота Trend с торсионными пружинами всех типов монтажа;
- промышленные ворота ProTrend всех типов монтажа.

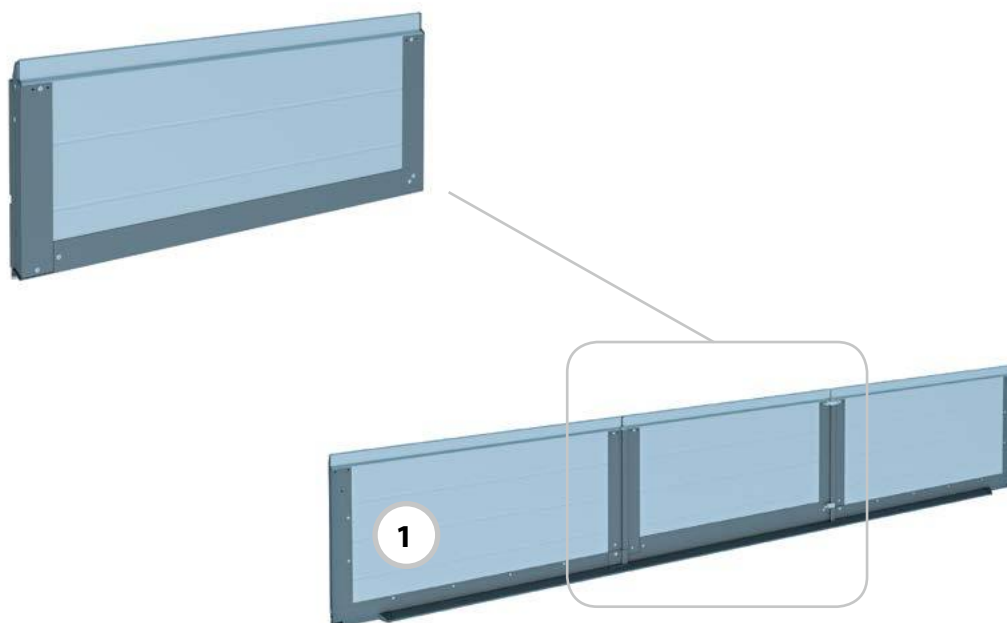
Тип калитки: с плоским порогом 18 мм, с низким порогом 100 мм, со стандартным порогом 145 мм.

Состав: нижняя панель калитки (центральная часть) с установленными профилями калитки.

Единица измеренияшт.

Арт.	Тип полотна	Цвет	Применение	Розничная цена, евро с НДС/шт.
LPU-3T	«Микроволна», «S-гофр»	RAL9016, 8014, 9006, 5010, 1015, 3004, 6005, 8017, 7016, ADS703*	Для ворот с правой калиткой	215,00
	«S-гофр»	Золотой дуб, Темный дуб, Вишня		248,00
	«Микроволна», «S-гофр»	Другой цвет по каталогу RAL*		+15 % к стоимости стандартного цвета
LPU-17T	«Микроволна», «S-гофр»	RAL9016, 8014, 9006, 5010, 1015, 3004, 6005, 8017, 7016, ADS703*	Для ворот с левой калиткой	215,00
	«S-гофр»	Золотой дуб, Темный дуб, Вишня		248,00
	«Микроволна», «S-гофр»	Другой цвет по каталогу RAL*		+15 % к стоимости стандартного цвета

* Указанные цвета имеют близкое соответствие шкале RAL.



ПОЛОТНО ВОРОТ С КАЛИТКОЙ

Панель нижняя

Тип ворот:

- гаражные ворота Trend с торсионными пружинами всех типов монтажа;
- промышленные ворота ProTrend всех типов монтажа.

Тип калитки: с плоским порогом 18 мм, с низким порогом 100 мм, со стандартным порогом 145 мм.

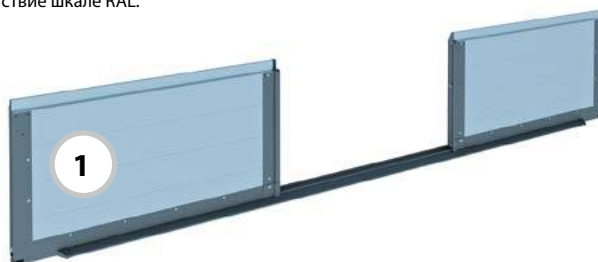
Состав: нижняя панель калитки (правая и левая части) с установленными профилями калитки, нижний усиливающий профиль.

Единица измеренияшт.

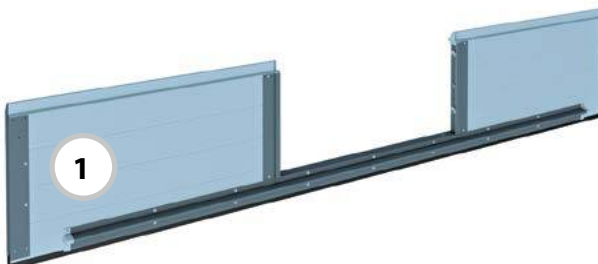
Арт.	Тип полотна	Цвет	Применение	Розничная цена, евро с НДС/шт.
LPU-30T	«Микроволна», «S-гофр»	RAL9016, 8014, 9006, 5010, 1015, 3004, 6005, 8017, 7016, ADS703*	Для ворот с правой калиткой	$(W-0,9) \times 120,00 \text{€}/\text{м}$
	«S-гофр»	Золотой дуб, Темный дуб, Вишня		$(W-0,9) \times 138,00 \text{€}/\text{м}$
	«Микроволна», «S-гофр»	Другой цвет по каталогу RAL*		+15 % к стоимости стандартного цвета
LPU-40T	«Микроволна», «S-гофр»	RAL9016, 8014, 9006, 5010, 1015, 3004, 6005, 8017, 7016, ADS703*	Для ворот с левой калиткой	$(W-0,9) \times 120,00 \text{€}/\text{м}$
	«S-гофр»	Золотой дуб, Темный дуб, Вишня		$(W-0,9) \times 138,00 \text{€}/\text{м}$
	«Микроволна», «S-гофр»	Другой цвет по каталогу RAL*		+15 % к стоимости стандартного цвета

W — ширина проема, м.

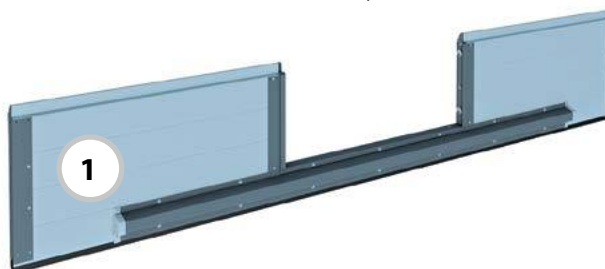
* Указанные цвета имеют близкое соответствие шкале RAL.



Калитка с плоским порогом 18 мм



Калитка с низким порогом 100 мм



Калитка со стандартным порогом 145 мм

Панель промежуточная

Тип ворот:

- гаражные ворота Trend с торсионными пружинами всех типов монтажа;
- промышленные ворота ProTrend всех типов монтажа.

Тип калитки: с плоским порогом 18 мм, с низким порогом 100 мм, со стандартным порогом 145 мм.

Состав: промежуточная калиточная панель с установленными калиточными профилями, замок калитки (корпус, ригель, планка ригеля).

Единица измеренияшт.

Арт.	Тип полотна	Цвет	Применение	Розничная цена, евро с НДС/м
LPU-31T	«Микроволна», «S-гофр»	RAL9016, 8014, 9006, 5010, 1015, 3004, 6005, 8017, 7016, ADS703*	Для ворот с правой калиткой	98,00
	«S-гофр»	Золотой дуб, Темный дуб, Вишня		113,00
	«Микроволна», «S-гофр»	Другой цвет по каталогу RAL*		+15 % к стоимости стандартного цвета
LPU-41T	«Микроволна», «S-гофр»	RAL9016, 8014, 9006, 5010, 1015, 3004, 6005, 8017, 7016, ADS703*	Для ворот с левой калиткой	98,00
	«S-гофр»	Золотой дуб, Темный дуб, Вишня		113,00
	«Микроволна», «S-гофр»	Другой цвет по каталогу RAL*		+15 % к стоимости стандартного цвета

* Указанные цвета имеют близкое соответствие шкале RAL.



ПОЛОТНО ВОРОТ С КАЛИТКОЙ

Панель промежуточная

Тип ворот:

- гаражные ворота Trend с торсионными пружинами всех типов монтажа;
- промышленные ворота ProTrend всех типов монтажа.

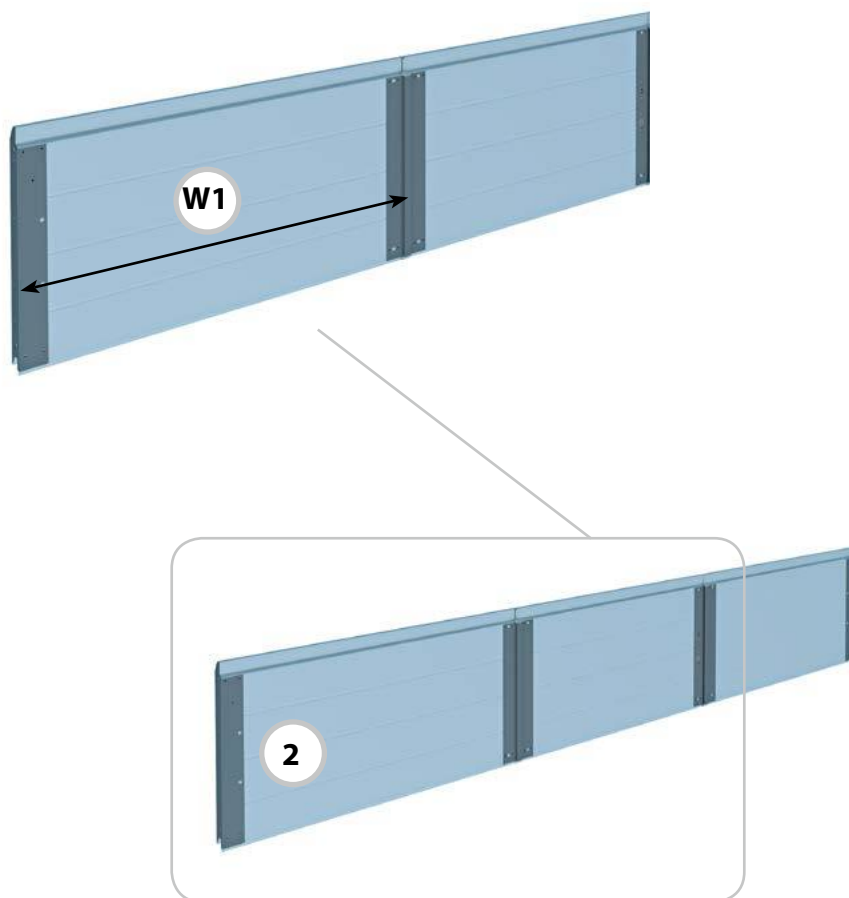
Тип калитки: с плоским порогом 18 мм, с низким порогом 100 мм, со стандартным порогом 145 мм.

Состав: две промежуточные панели калитки (боковая и центральная части) с установленными калиточными профилями, замок калитки (корпус, ригель).

Единица измеренияшт.

Арт.	Тип полотна	Цвет	Применение	Розничная цена, евро с НДС/шт.
LPU-5T	«Микроволна», «S-гофр»	RAL9016, 8014, 9006, 5010, 1015, 3004, 6005, 8017, 7016, ADS703*	Для ворот с правой калиткой	(W1×98,00€/м)+215,00€
	«S-гофр»	Золотой дуб, Темный дуб, Вишня		(W1×113,00€/м)+248,00€
	«Микроволна», «S-гофр»	Другой цвет по каталогу RAL*		+ 15 % к стоимости стандартного цвета
LPU-19T	«Микроволна», «S-гофр»	RAL9016, 8014, 9006, 5010, 1015, 3004, 6005, 8017, 7016, ADS703*	Для ворот с левой калиткой	(W1×98,00€/м)+215,00€
	«S-гофр»	Золотой дуб, Темный дуб, Вишня		(W1×113,00€/м)+248,00€
	«Микроволна», «S-гофр»	Другой цвет по каталогу RAL*		+ 15 % к стоимости стандартного цвета

* Указанные цвета имеют близкое соответствие шкале RAL.



Панель промежуточная

Тип ворот:

- гаражные ворота Trend с торсионными пружинами всех типов монтажа;
- промышленные ворота ProTrend всех типов монтажа.

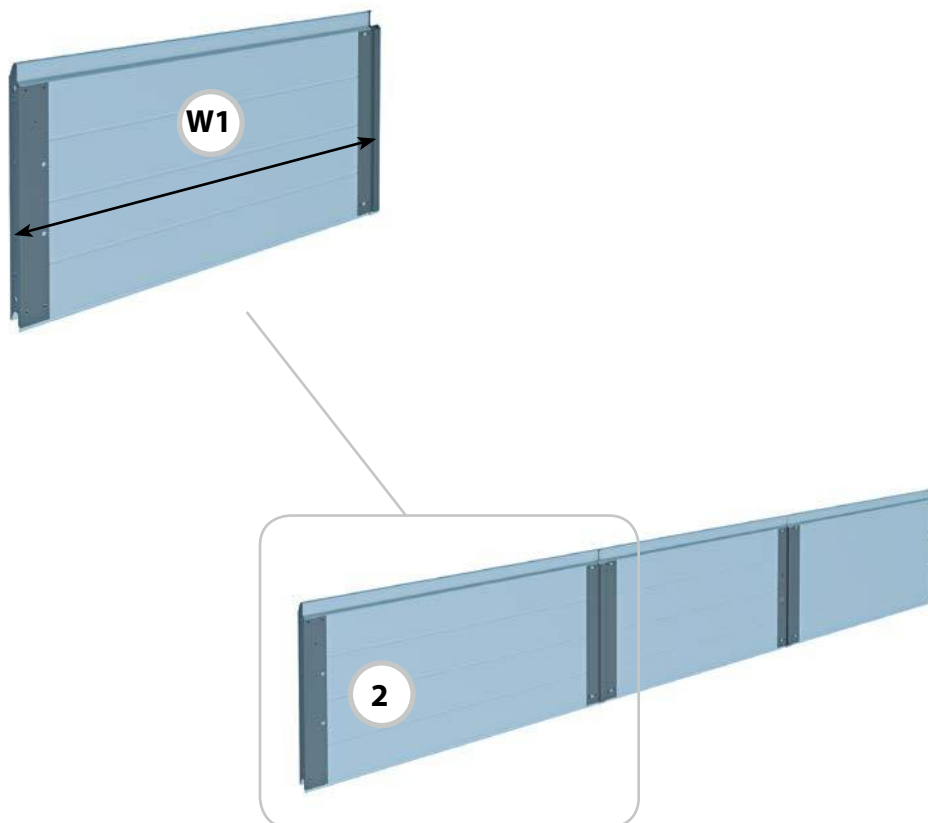
Тип калитки: с плоским порогом 18 мм, с низким порогом 100 мм, со стандартным порогом 145 мм.

Состав: промежуточная панель калитки (боковая часть) с установленными калиточными профилями.

Единица измеренияшт.

Арт.	Тип полотна	Цвет	Применение	Розничная цена, евро с НДС/шт.
LPU-6T	«Микроволна», «S-гофр»	RAL9016, 8014, 9006, 5010, 1015, 3004, 6005, 8017, 7016, ADS703*	Для ворот с правой калиткой	76,00€/м×W1
	«S-гофр»	Золотой дуб, Темный дуб, Вишня		87,00€/м×W1
	«Микроволна», «S-гофр»	Другой цвет по каталогу RAL*		+15 % к стоимости стандартного цвета
LPU-20T	«Микроволна», «S-гофр»	RAL9016, 8014, 9006, 5010, 1015, 3004, 6005, 8017, 7016, ADS703*	Для ворот с левой калиткой	76,00€/м×W1
	«S-гофр»	Золотой дуб, Темный дуб, Вишня		87,00€/м×W1
	«Микроволна», «S-гофр»	Другой цвет по каталогу RAL*		+15 % к стоимости стандартного цвета

* Указанные цвета имеют близкое соответствие шкале RAL.



ПОЛОТНО ВОРОТ С КАЛИТКОЙ

Панель промежуточная

Тип ворот:

- гаражные ворота Trend с торсионными пружинами всех типов монтажа;
- промышленные ворота ProTrend всех типов монтажа.

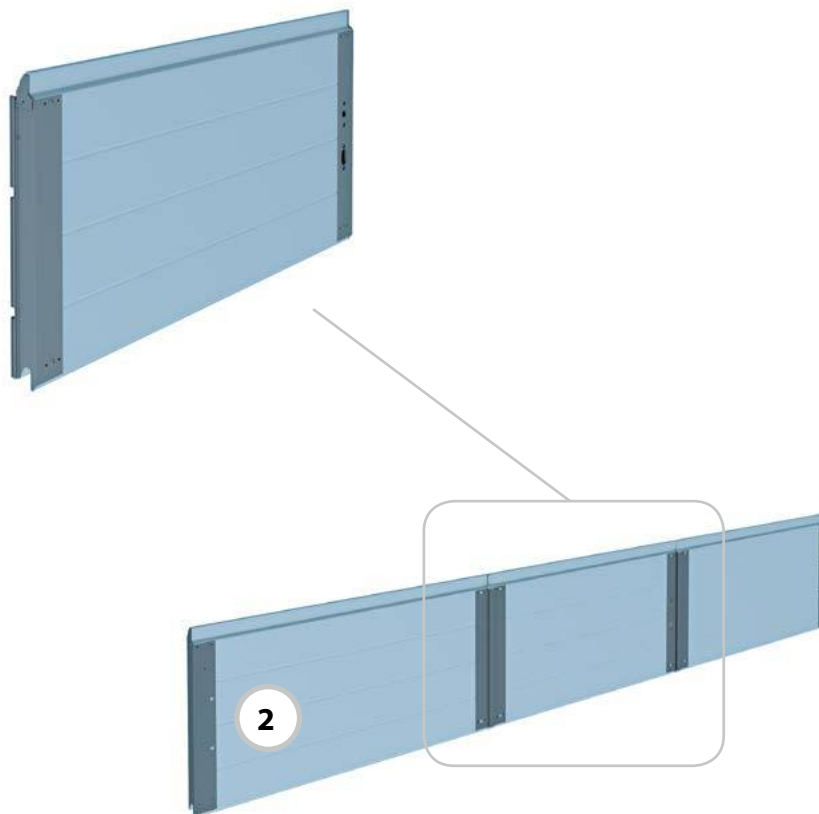
Тип калитки: с плоским порогом 18 мм, с низким порогом 100 мм, со стандартным порогом 145 мм.

Состав: промежуточная панель калитки (центральная часть) с установленными калиточными профилями, замок калитки (корпус, ригель).

Единица измеренияшт.

Арт.	Тип полотна	Цвет	Применение	Розничная цена, евро с НДС/шт.
LPU-7T	«Микроволна», «S-гофр»	RAL9016, 8014, 9006, 5010, 1015, 3004, 6005, 8017, 7016, ADS703*	Для ворот с правой калиткой	309,00
	«S-гофр»	Золотой дуб, Темный дуб, Вишня		356,00
	«Микроволна», «S-гофр»	Другой цвет по каталогу RAL*		+ 15 % к стоимости стандартного цвета
LPU-21T	«Микроволна», «S-гофр»	RAL9016, 8014, 9006, 5010, 1015, 3004, 6005, 8017, 7016, ADS703*	Для ворот с левой калиткой	309,00
	«S-гофр»	Золотой дуб, Темный дуб, Вишня		356,00
	«Микроволна», «S-гофр»	Другой цвет по каталогу RAL*		+ 15 % к стоимости стандартного цвета

* Указанные цвета имеют близкое соответствие шкале RAL.



Панель промежуточная

Тип ворот:

- гаражные ворота Trend с торсионными пружинами всех типов монтажа;
- промышленные ворота ProTrend всех типов монтажа.

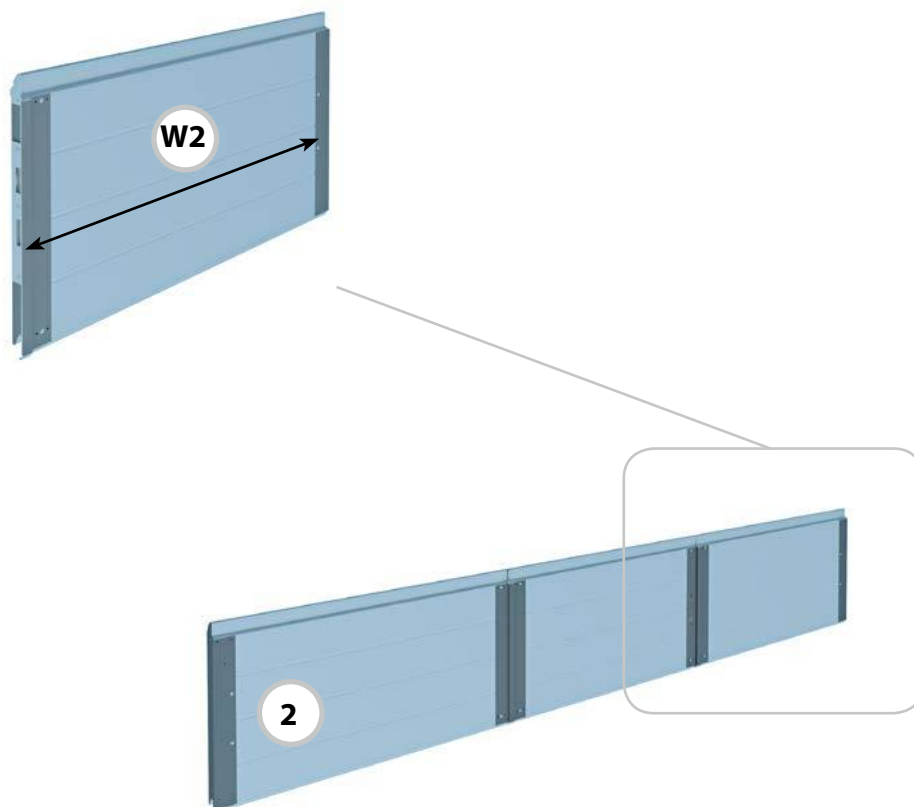
Тип калитки: с плоским порогом 18 мм, с низким порогом 100 мм, со стандартным порогом 145 мм.

Состав: промежуточная панель калитки (боковая часть) с установленными калиточными профилями, планка ригеля.

Единица измеренияшт.

Арт.	Тип полотна	Цвет	Применение	Розничная цена, евро с НДС/шт.
LPU-8T	«Микроволна», «S-гофр»	RAL9016, 8014, 9006, 5010, 1015, 3004, 6005, 8017, 7016, ADS703*	Для ворот с правой калиткой	76,00€/м×W2
	«S-гофр»	Золотой дуб, Темный дуб, Вишня		87,00€/м×W2
	«Микроволна», «S-гофр»	Другой цвет по каталогу RAL*		+ 15 % к стоимости стандартного цвета
LPU-22T	«Микроволна», «S-гофр»	RAL9016, 8014, 9006, 5010, 1015, 3004, 6005, 8017, 7016, ADS703*	Для ворот с левой калиткой	76,00€/м×W2
	«S-гофр»	Золотой дуб, Темный дуб, Вишня		87,00€/м×W2
	«Микроволна», «S-гофр»	Другой цвет по каталогу RAL*		+ 15 % к стоимости стандартного цвета

* Указанные цвета имеют близкое соответствие шкале RAL.



ПОЛОТНО ВОРОТ С КАЛИТКОЙ

Панель промежуточная

Тип ворот:

- гаражные ворота Trend с торсионными пружинами всех типов монтажа;
- промышленные ворота ProTrend всех типов монтажа.

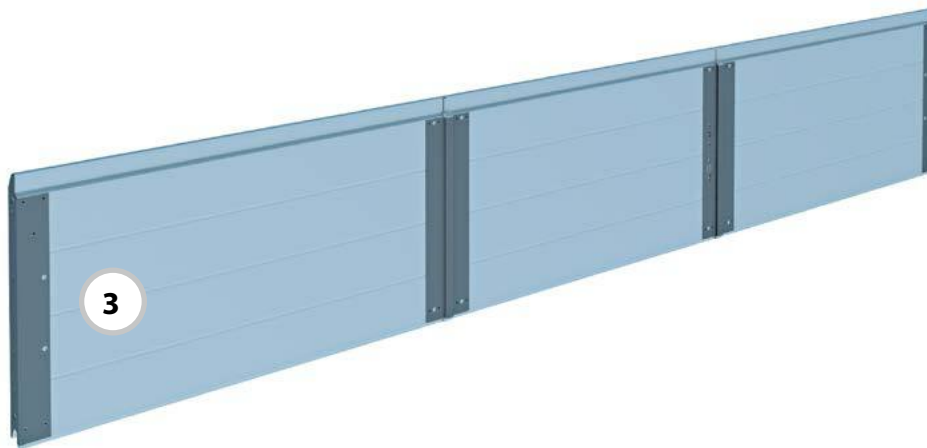
Тип калитки: с плоским порогом 18 мм, с низким порогом 100 мм, со стандартным порогом 145 мм.

Состав: промежуточная калиточная панель с установленными калиточными профилями.

Единица измеренияшт.

Арт.	Тип полотна	Цвет	Применение	Розничная цена, евро с НДС/м
LPU-32T	«Микроволна», «S-гофр»	RAL9016, 8014, 9006, 5010, 1015, 3004, 6005, 8017, 7016, ADS703*	Для ворот с правой калиткой	76,00
	«S-гофр»	Золотой дуб, Темный дуб, Вишня		87,00
	«Микроволна», «S-гофр»	Другой цвет по каталогу RAL*		+15 % к стоимости стандартного цвета
LPU-42T	«Микроволна», «S-гофр»	RAL9016, 8014, 9006, 5010, 1015, 3004, 6005, 8017, 7016, ADS703*	Для ворот с левой калиткой	76,00
	«S-гофр»	Золотой дуб, Темный дуб, Вишня		87,00
	«Микроволна», «S-гофр»	Другой цвет по каталогу RAL*		+15 % к стоимости стандартного цвета

* Указанные цвета имеют близкое соответствие шкале RAL.



Панель промежуточная

Тип ворот:

- гаражные ворота Trend с торсионными пружинами всех типов монтажа;
- промышленные ворота ProTrend всех типов монтажа.

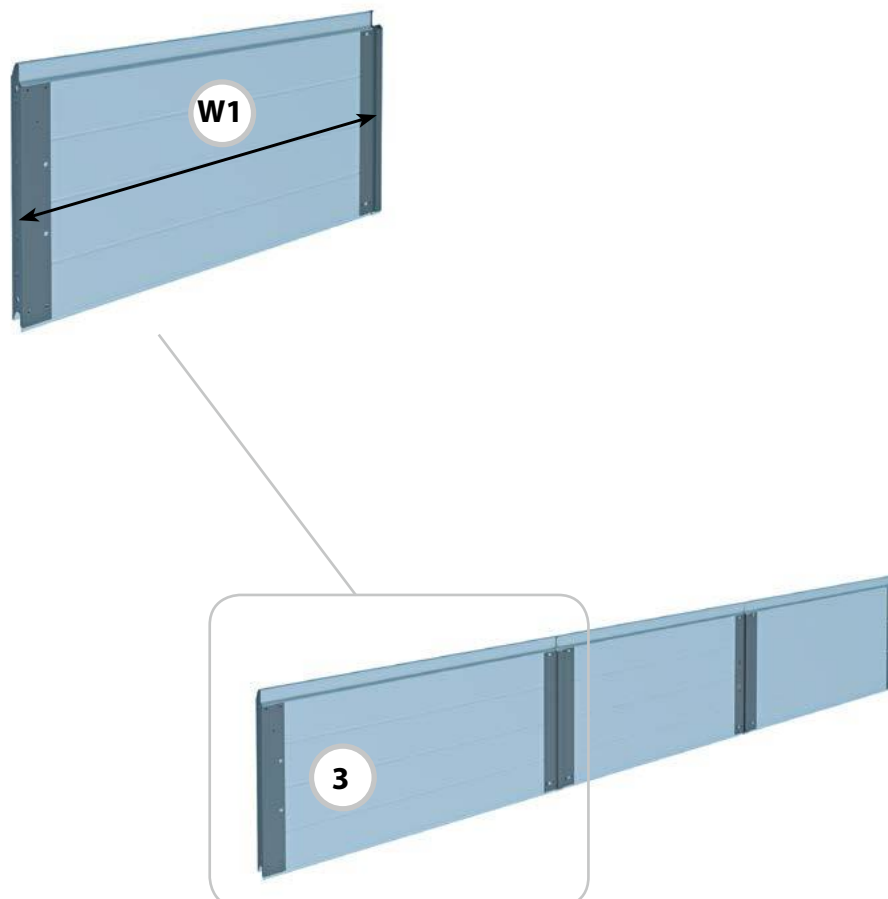
Тип калитки: с плоским порогом 18 мм, с низким порогом 100 мм, со стандартным порогом 145 мм.

Состав: промежуточная панель калитки (боковая часть) с установленными калиточными профилями.

Единица измеренияшт.

Арт.	Тип полотна	Цвет	Применение	Розничная цена, евро с НДС/м
LPU-34T	«Микроволна», «S-гофр»	RAL9016, 8014, 9006, 5010, 1015, 3004, 6005, 8017, 7016, ADS703*	Для ворот с правой калиткой	76,00€/м×W1
	«S-гофр»	Золотой дуб, Темный дуб, Вишня		87,00€/м×W1
	«Микроволна», «S-гофр»	Другой цвет по каталогу RAL*		+15 % к стоимости стандартного цвета
LPU-44T	«Микроволна», «S-гофр»	RAL9016, 8014, 9006, 5010, 1015, 3004, 6005, 8017, 7016, ADS703*	Для ворот с левой калиткой	76,00€/м×W1
	«S-гофр»	Золотой дуб, Темный дуб, Вишня		87,00€/м×W1
	«Микроволна», «S-гофр»	Другой цвет по каталогу RAL*		+15 % к стоимости стандартного цвета

* Указанные цвета имеют близкое соответствие шкале RAL.



ПОЛОТНО ВОРОТ С КАЛИТКОЙ

Панель промежуточная

Тип ворот:

- гаражные ворота Trend с торсионными пружинами всех типов монтажа;
- промышленные ворота ProTrend всех типов монтажа.

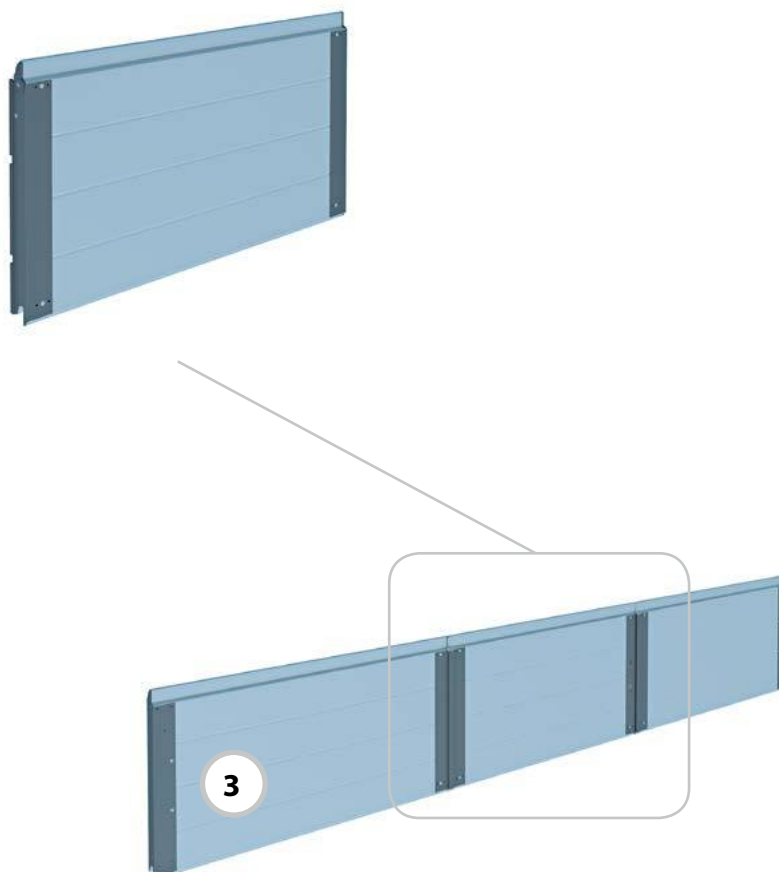
Тип калитки: с плоским порогом 18 мм, с низким порогом 100 мм, со стандартным порогом 145 мм.

Состав: промежуточная панель калитки (центральная часть) с установленными калиточными профилями.

Единица измеренияшт.

Арт.	Тип полотна	Цвет	Применение	Розничная цена, евро с НДС/шт.
LPU-35T	«Микроволна», «S-гофр»	RAL9016, 8014, 9006, 5010, 1015, 3004, 6005, 8017, 7016, ADS703*	Для ворот с правой калиткой	176,00
	«S-гофр»	Золотой дуб, Темный дуб, Вишня		203,00
	«Микроволна», «S-гофр»	Другой цвет по каталогу RAL*		+ 15 % к стоимости стандартного цвета
LPU-45T	«Микроволна», «S-гофр»	RAL9016, 8014, 9006, 5010, 1015, 3004, 6005, 8017, 7016, ADS703*	Для ворот с левой калиткой	176,00
	«S-гофр»	Золотой дуб, Темный дуб, Вишня		203,00
	«Микроволна», «S-гофр»	Другой цвет по каталогу RAL*		+ 15 % к стоимости стандартного цвета

* Указанные цвета имеют близкое соответствие шкале RAL.



Панель промежуточная

Тип ворот:

- гаражные ворота Trend с торсионными пружинами всех типов монтажа;
- промышленные ворота ProTrend всех типов монтажа.

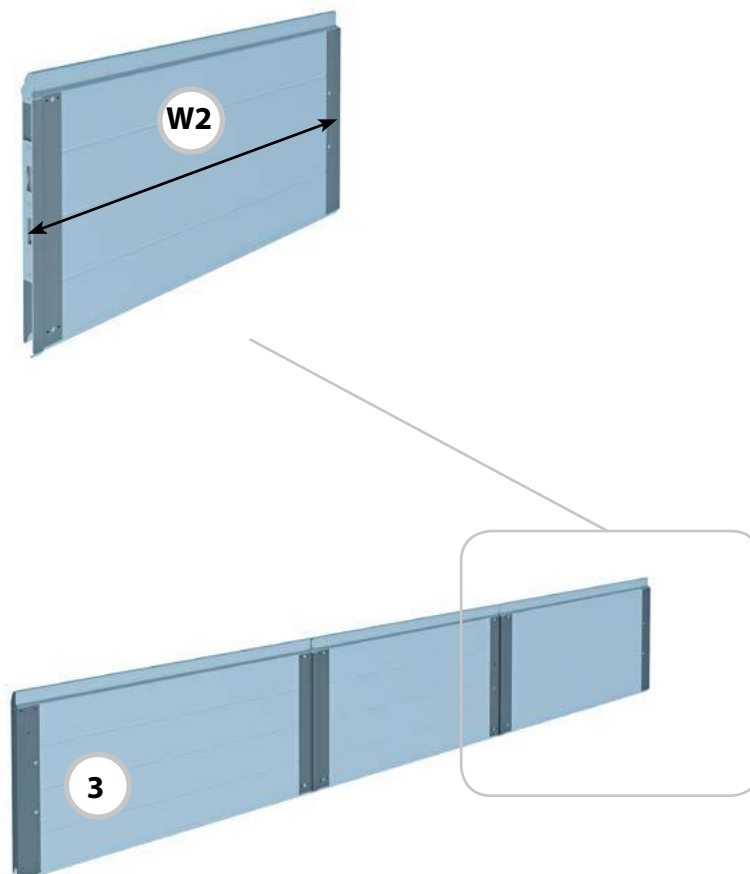
Тип калитки: с плоским порогом 18 мм, с низким порогом 100 мм, со стандартным порогом 145 мм.

Состав: промежуточная панель калитки (боковая часть) с установленными калиточными профилями.

Единица измеренияшт.

Арт.	Тип полотна	Цвет	Применение	Розничная цена, евро с НДС/м
LPU-36T	«Микроволна», «S-гофр»	RAL9016, 8014, 9006, 5010, 1015, 3004, 6005, 8017, 7016, ADS703*	Для ворот с правой калиткой	76,00€/м×W2
	«S-гофр»	Золотой дуб, Темный дуб, Вишня		87,00€/м×W2
	«Микроволна», «S-гофр»	Другой цвет по каталогу RAL*		+15 % к стоимости стандартного цвета
LPU-46T	«Микроволна», «S-гофр»	RAL9016, 8014, 9006, 5010, 1015, 3004, 6005, 8017, 7016, ADS703*	Для ворот с левой калиткой	76,00€/м×W2
	«S-гофр»	Золотой дуб, Темный дуб, Вишня		87,00€/м×W2
	«Микроволна», «S-гофр»	Другой цвет по каталогу RAL*		+15 % к стоимости стандартного цвета

* Указанные цвета имеют близкое соответствие шкале RAL.



ПОЛОТНО ВОРОТ С КАЛИТКОЙ

Панель промежуточная

Тип ворот:

- гаражные ворота Trend с торсионными пружинами всех типов монтажа;
- промышленные ворота ProTrend всех типов монтажа.

Тип калитки: с плоским порогом 18 мм, с низким порогом 100 мм, со стандартным порогом 145 мм.

Состав: верхняя калиточная панель с установленными калиточными профилями, верхний усиливающий профиль.

Единица измеренияшт.

Арт.	Тип полотна	Цвет	Применение	Розничная цена, евро с НДС/м
LPU-37T	«Микроволна», «S-гофр»	RAL9016, 8014, 9006, 5010, 1015, 3004, 6005, 8017, 7016, ADS703*	Для ворот с правой калиткой	109,00
	«S-гофр»	Золотой дуб, Темный дуб, Вишня		126,00
	«Микроволна», «S-гофр»	Другой цвет по каталогу RAL*		+ 15 % к стоимости стандартного цвета
LPU-47T	«Микроволна», «S-гофр»	RAL9016, 8014, 9006, 5010, 1015, 3004, 6005, 8017, 7016, ADS703*	Для ворот с левой калиткой	109,00
	«S-гофр»	Золотой дуб, Темный дуб, Вишня		126,00
	«Микроволна», «S-гофр»	Другой цвет по каталогу RAL*		+ 15 % к стоимости стандартного цвета

* Указанные цвета имеют близкое соответствие шкале RAL.



Панель промежуточная

Тип ворот:

- гаражные ворота Trend с торсионными пружинами всех типов монтажа;
- промышленные ворота ProTrend всех типов монтажа.

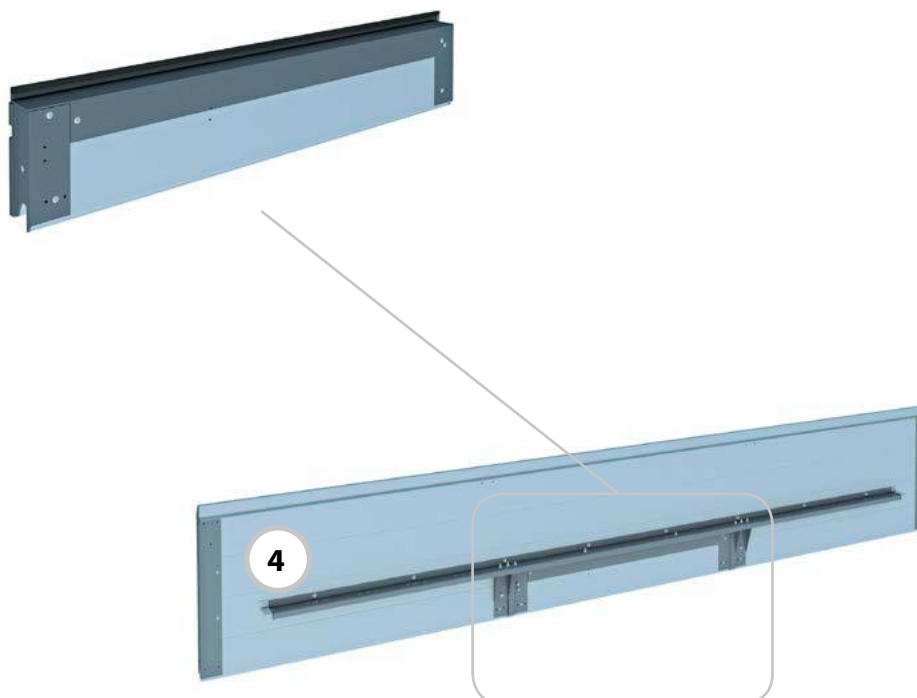
Тип калитки: с плоским порогом 18 мм, с низким порогом 100 мм, со стандартным порогом 145 мм.

Состав: верхняя калиточная панель (центральная часть) с установленными калиточными профилями.

Единица измеренияшт.

Арт.	Тип полотна	Цвет	Применение	Розничная цена, евро с НДС/шт.
LPU-38T	«Микроволна», «S-гофр»	RAL9016, 8014, 9006, 5010, 1015, 3004, 6005, 8017, 7016, ADS703*	Для ворот с правой калиткой	182,00
	«S-гофр»	Золотой дуб, Темный дуб, Вишня		210,00
	«Микроволна», «S-гофр»	Другой цвет по каталогу RAL*		+15 % к стоимости стандартного цвета
LPU-48T	«Микроволна», «S-гофр»	RAL9016, 8014, 9006, 5010, 1015, 3004, 6005, 8017, 7016, ADS703*	Для ворот с левой калиткой	182,00
	«S-гофр»	Золотой дуб, Темный дуб, Вишня		210,00
	«Микроволна», «S-гофр»	Другой цвет по каталогу RAL*		+15 % к стоимости стандартного цвета

* Указанные цвета имеют близкое соответствие шкале RAL.



ПОЛОТНО ВОРОТ С КАЛИТКОЙ

Панель промежуточная

Тип ворот:

- гаражные ворота Trend с торсионными пружинами всех типов монтажа;
- промышленные ворота ProTrend всех типов монтажа.

Тип калитки: с плоским порогом 18 мм, с низким порогом 100 мм, со стандартным порогом 145 мм.

Состав: верхняя калиточная панель с установленными калиточными профилями, верхний усиливающий профиль.

Единица измеренияшт.

Арт.	Тип полотна	Цвет	Применение	Розничная цена, евро с НДС/шт.
LPU-39T	«Микроволна», «S-гофр»	RAL9016, 8014, 9006, 5010, 1015, 3004, 6005, 8017, 7016, ADS703*	Для ворот с правой калиткой	$(W-0,9) \times 109,00 \text{€}/\text{м}$
	«S-гофр»	Золотой дуб, Темный дуб, Вишня		$(W-0,9) \times 126,00 \text{€}/\text{м}$
	«Микроволна», «S-гофр»	Другой цвет по каталогу RAL*		+ 15 % к стоимости стандартного цвета
LPU-49T	«Микроволна», «S-гофр»	RAL9016, 8014, 9006, 5010, 1015, 3004, 6005, 8017, 7016, ADS703*	Для ворот с левой калиткой	$(W-0,9) \times 109,00 \text{€}/\text{м}$
	«S-гофр»	Золотой дуб, Темный дуб, Вишня		$(W-0,9) \times 126,00 \text{€}/\text{м}$
	«Микроволна», «S-гофр»	Другой цвет по каталогу RAL*		+ 15 % к стоимости стандартного цвета

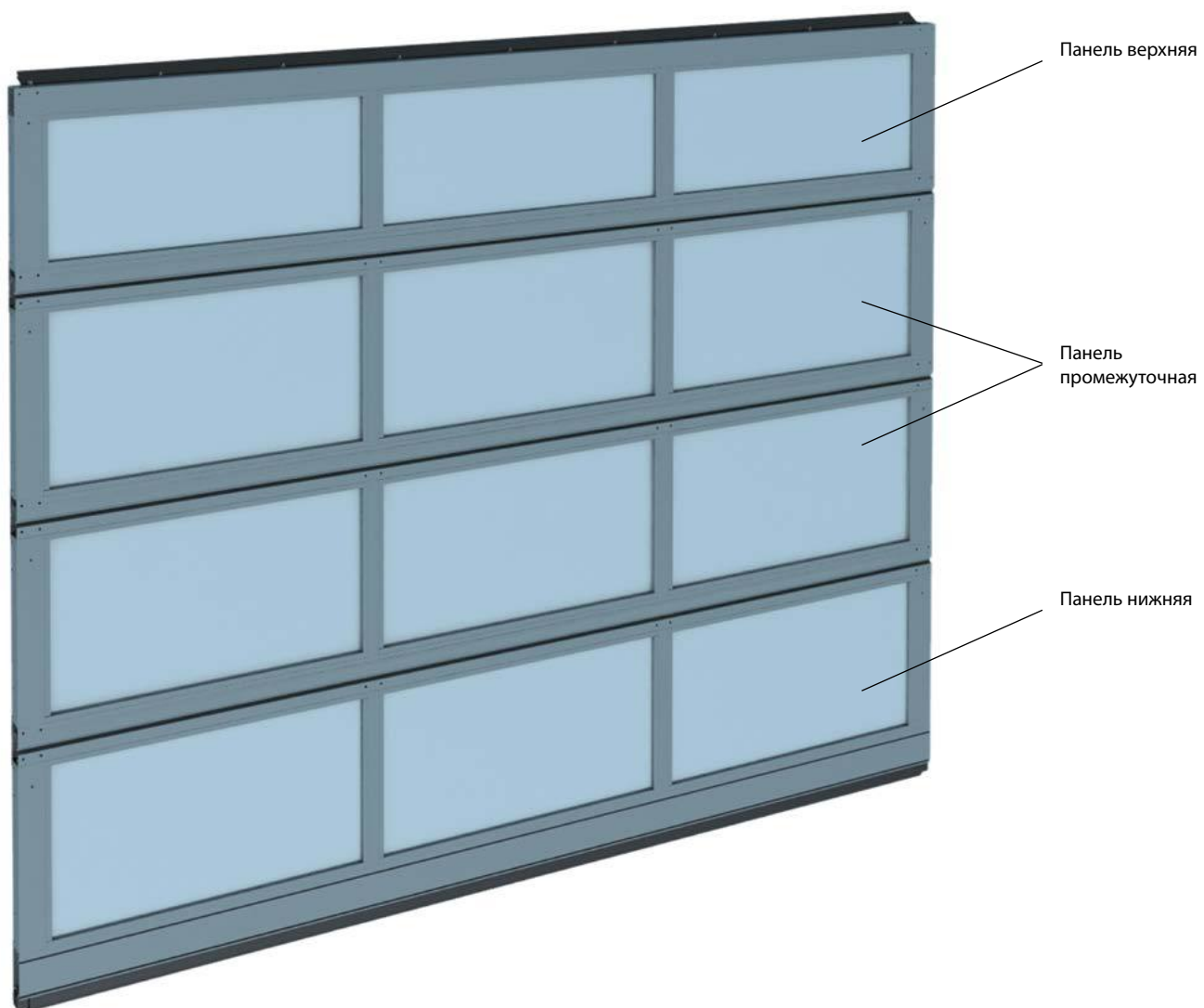
W — ширина проема, м.

* Указанные цвета имеют близкое соответствие шкале RAL.



ПАНОРАМНОЕ ПОЛОТНО ВОРОТ БЕЗ КАЛИТКИ

ТИПОВАЯ КОНСТРУКЦИЯ ПАНОРАМНОГО ПОЛОТНА ВОРОТ БЕЗ КАЛИТКИ



04

ПАНОРАМНОЕ ПОЛОТНО ВОРОТ БЕЗ КАЛИТКИ

Полотно воротное

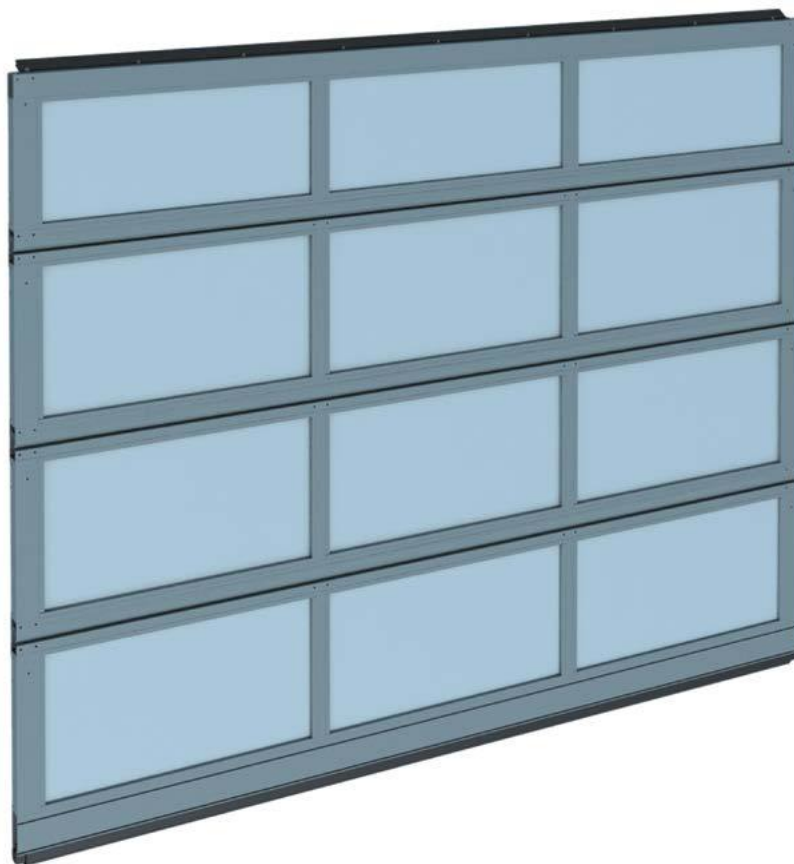
Серия ворот: панорамные ворота AluTrend.
Тип полотна ворот: АЛП.

Состав: панорамные панели, нижняя и верхняя уплотнительные вставки, упоры нижние.

Единица измеренияшт.

Арт.	Цвет*	Розничная цена, евро с НДС/м ²
GLG-7T	RAL9016, 8014, 9006, 5010, 1015, 3004, 6005, 8017, 7016*	214,00
	Другой цвет по каталогу RAL*	+15 % к стоимости стандартного цвета

* Указанные цвета имеют близкое соответствие шкале RAL.



Полотно воротное

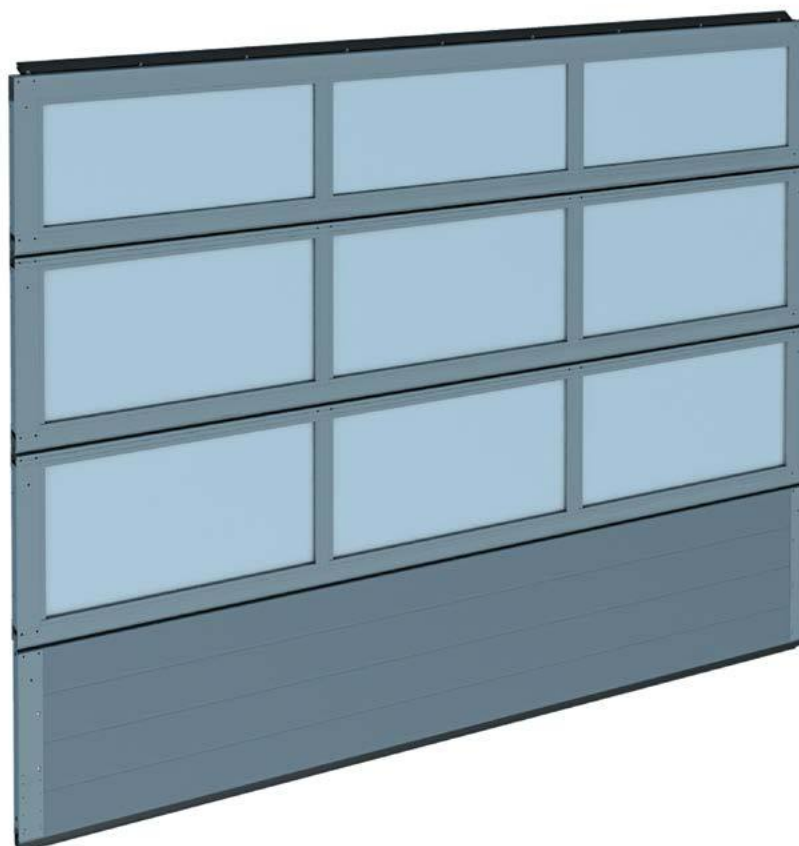
Серия ворот: панорамные ворота AluTrend.
 Тип полотна ворот: АЛПС.

Состав: нижняя сэндвич-панель, промежуточные и верхняя панорамные панели, нижний концевой профиль, нижняя и верхняя уплотнительные вставки, упоры нижние.

Единица измеренияшт.

Арт.	Цвет*	Розничная цена, евро с НДС/м ²
GLG-10T	RAL9016, 8014, 9006, 5010, 1015, 3004, 6005, 8017, 7016*	203,00
	Другой цвет по каталогу RAL*	+15 % к стоимости стандартного цвета

* Указанные цвета имеют близкое соответствие шкале RAL.



ПАНОРАМНОЕ ПОЛОТНО ВОРОТ БЕЗ КАЛИТКИ

Панель нижняя

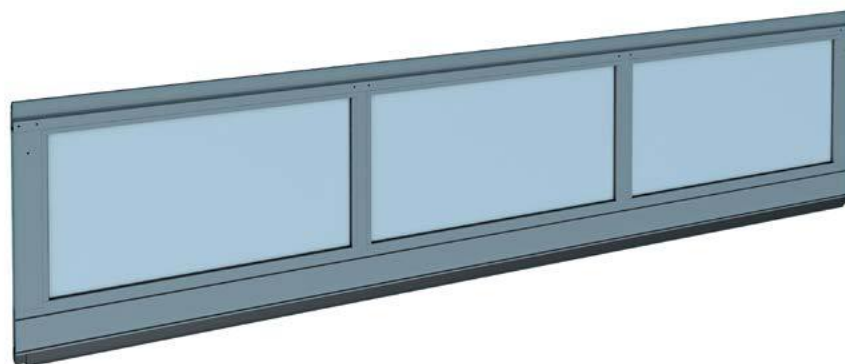
Серия ворот: панорамные ворота AluTrend
Тип полотна ворот: АЛП.

Состав: нижняя панорамная панель, нижняя уплотнительная вставка, упоры нижние.

Единица измеренияшт.

Арт.	Цвет	Розничная цена, евро с НДС/м ²
LPA-27T	RAL9016, 8014, 9006, 5010, 1015, 3004, 6005, 8017, 7016*	257,00
	Другой цвет по каталогу RAL*	+15 % к стоимости стандартного цвета

* Указанные цвета имеют близкое соответствие шкале RAL.



Панель промежуточная

Серия ворот:

- панорамные ворота AluTrend;
- гаражные ворота Trend (ПО);
- промышленные ворота ProTrend (ПО).

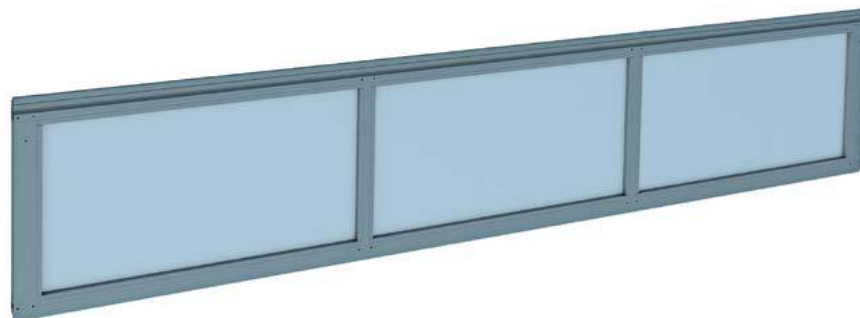
Тип полотна ворот: АЛП, АЛПС, ПО

Состав: промежуточная панорамная панель.

Единица измеренияшт.

Арт.	Цвет*	Розничная цена, евро с НДС/м ²
LPA-28T	RAL9016, 8014, 9006, 5010, 1015, 3004, 6005, 8017, 7016*	214,00
	Другой цвет по каталогу RAL*	+15 % к стоимости стандартного цвета

* Указанные цвета имеют близкое соответствие шкале RAL.



Панель верхняя

Серия ворот: панорамные ворота AluTrend.

Тип полотна ворот: АЛП, АЛПС.

Состав: верхняя панорамная панель, верхняя уплотнительная вставка.

Единица измеренияшт.

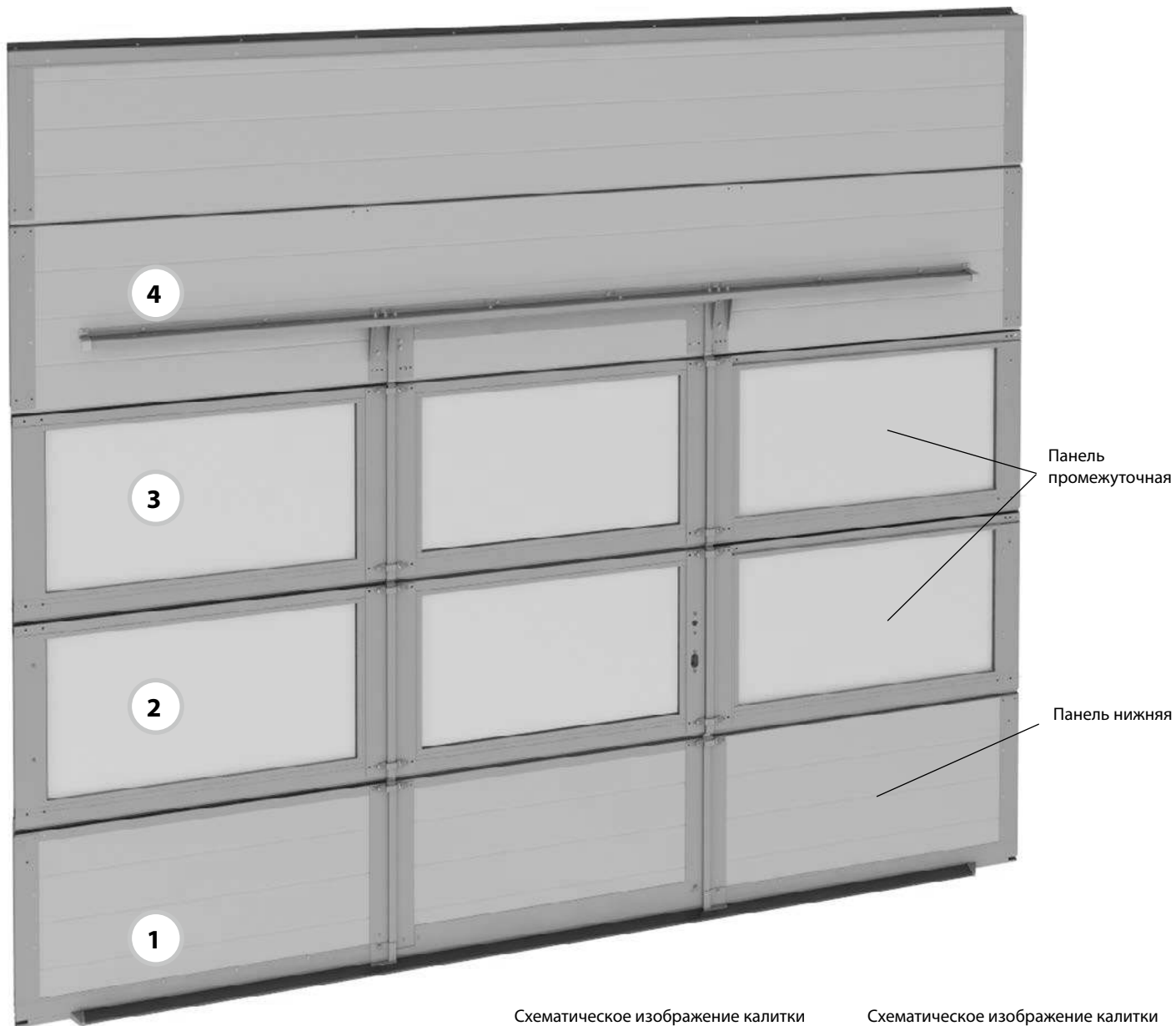
Арт.	Цвет*	Розничная цена, евро с НДС/м ²
LPA-29T	RAL9016, 8014, 9006, 5010, 1015, 3004, 6005, 8017, 7016*	214,00
	Другой цвет по каталогу RAL*	+15 % к стоимости стандартного цвета

* Указанные цвета имеют близкое соответствие шкале RAL.

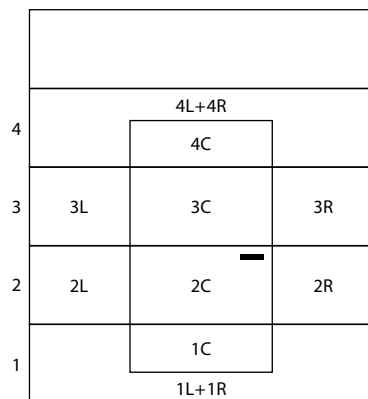


ПАНОРАМНОЕ ПОЛОТНО ВОРОТ С КАЛИТКОЙ

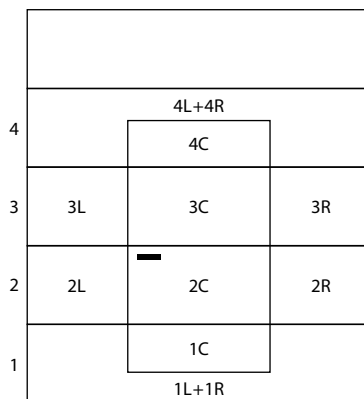
ТИПОВАЯ КОНСТРУКЦИЯ ПАНОРАМНОГО ПОЛОТНА ВОРОТ С КАЛИТКОЙ



Схематическое изображение калитки с правым исполнением



Схематическое изображение калитки с левым исполнением



при взгляде изнутри

Панель промежуточная

Серия ворот:

- гаражные ворота Trend (ПО вторая и/или третья панели);
- промышленные ворота ProTrend (ПО вторая и/или третья панели).

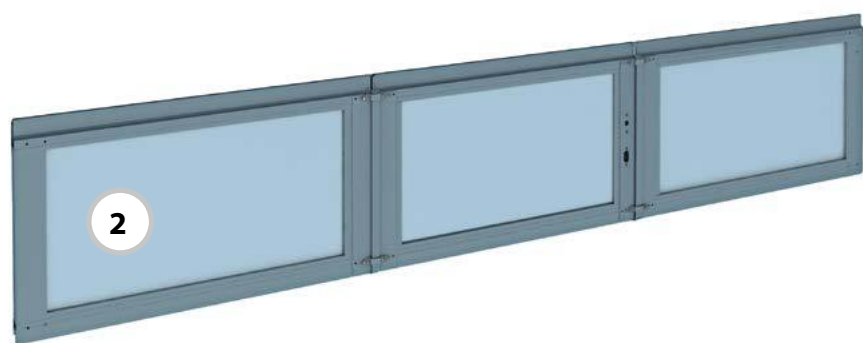
Тип калитки: с плоским порогом 18 мм, с низким порогом 100 мм, со стандартным порогом 145 мм.

Состав: промежуточная калиточная панель с установленными калиточными профилями, замок калитки (ригель, планка ригеля).

Единица измеренияшт.

Арт.	Цвет	Применение	Розничная цена, евро с НДС/м ²
LPA-31T	RAL9016, 8014, 9006, 5010, 1015, 3004, 6005, 8017, 7016**	Для ворот с правой калиткой	255,00
	Другой цвет по каталогу RAL		+ 15 % к стоимости стандартного цвета
LPA-41T	RAL9016, 8014, 9006, 5010, 1015, 3004, 6005, 8017, 7016**	Для ворот с левой калиткой	255,00
	Другой цвет по каталогу RAL		+ 15 % к стоимости стандартного цвета

* Указанные цвета имеют близкое соответствие шкале RAL.



ПАНОРАМНОЕ ПОЛОТНО ВОРОТ С КАЛИТКОЙ

Панель промежуточная

Серия ворот:

- гаражные ворота Trend (ПО вторая и/или третья панели);
- промышленные ворота ProTrend (ПО вторая и/или третья панели).

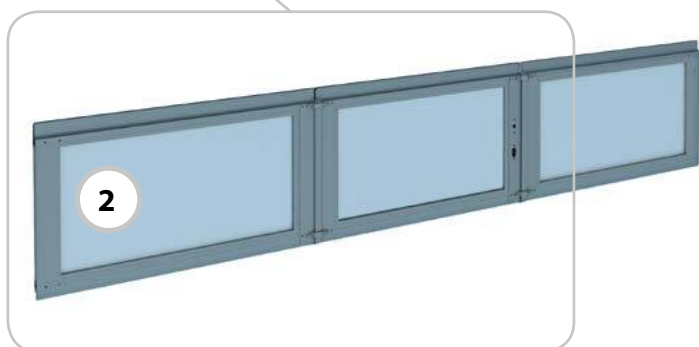
Тип калитки: с плоским порогом 18 мм, с низким порогом 100 мм, со стандартным порогом 145 мм.

Состав: промежуточные панели калитки (боковая и центральная часть) с установленными калиточными профилями, замок калитки (ригель).

Единица измеренияшт.

Арт.	Цвет	Применение	Розничная цена, евро с НДС/м ²
LPA-5T	RAL9016, 8014, 9006, 5010, 1015, 3004, 6005, 8017, 7016*	Для ворот с правой калиткой	311,00
	Другой цвет по каталогу RAL*		+ 15 % к стоимости стандартного цвета
LPA-19T	RAL9016, 8014, 9006, 5010, 1015, 3004, 6005, 8017, 7016*	Для ворот с левой калиткой	311,00
	Другой цвет по каталогу RAL*		+ 15 % к стоимости стандартного цвета

* Указанные цвета имеют близкое соответствие шкале RAL.



Панель промежуточная

Серия ворот:

- гаражные ворота Trend (ПО вторая и/или третья панели);
- промышленные ворота ProTrend (ПО вторая и/или третья панели).

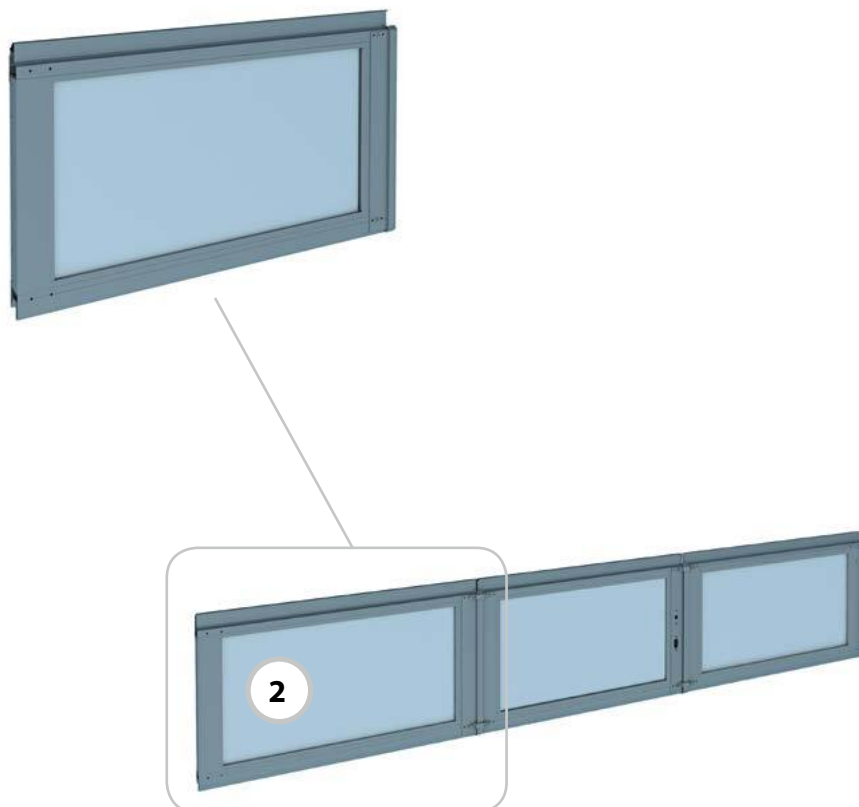
Тип калитки: с плоским порогом 18 мм, с низким порогом 100 мм, со стандартным порогом 145 мм.

Состав: промежуточная панель калитки (боковая часть) с установленными калиточными профилями.

Единица измеренияшт.

Арт.	Цвет	Применение	Розничная цена, евро с НДС/м ²
LPA-6T	RAL9016, 8014, 9006, 5010, 1015, 3004, 6005, 8017, 7016*	Для ворот с правой калиткой	314,00
	Другой цвет по каталогу RAL*		+15 % к стоимости стандартного цвета
LPA-20T	RAL9016, 8014, 9006, 5010, 1015, 3004, 6005, 8017, 7016*	Для ворот с левой калиткой	314,00
	Другой цвет по каталогу RAL*		+15 % к стоимости стандартного цвета

* Указанные цвета имеют близкое соответствие шкале RAL.



ПАНОРАМНОЕ ПОЛОТНО ВОРОТ С КАЛИТКОЙ

Панель промежуточная

Серия ворот:

- гаражные ворота Trend (ПО вторая и/или третья панели);
- промышленные ворота ProTrend (ПО вторая и/или третья панели).

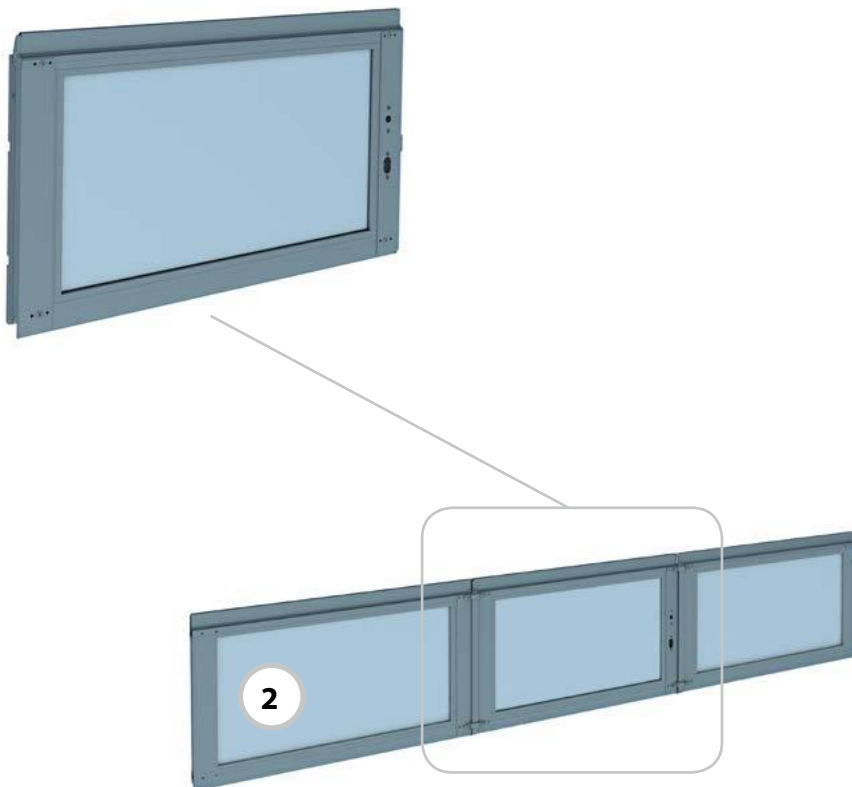
Тип калитки: с плоским порогом 18 мм, с низким порогом 100 мм, со стандартным порогом 145 мм.

Состав: промежуточная панель калитки (центральная часть) с установленными калиточными профилями, замок калитки (ригель).

Единица измеренияшт.

Арт.	Цвет	Применение	Розничная цена, евро с НДС/шт.
LPA-7T	RAL9016, 8014, 9006, 5010, 1015, 3004, 6005, 8017, 7016*	Для ворот с правой калиткой	254,00
	Другой цвет по каталогу RAL*		+ 15 % к стоимости стандартного цвета
LPA-21T	RAL9016, 8014, 9006, 5010, 1015, 3004, 6005, 8017, 7016*	Для ворот с левой калиткой	254,00
	Другой цвет по каталогу RAL*		+ 15 % к стоимости стандартного цвета

* Указанные цвета имеют близкое соответствие шкале RAL.



Панель промежуточная

Серия ворот:

- гаражные ворота Trend (ПО вторая и/или третья панели);
- промышленные ворота ProTrend (ПО вторая и/или третья панели).

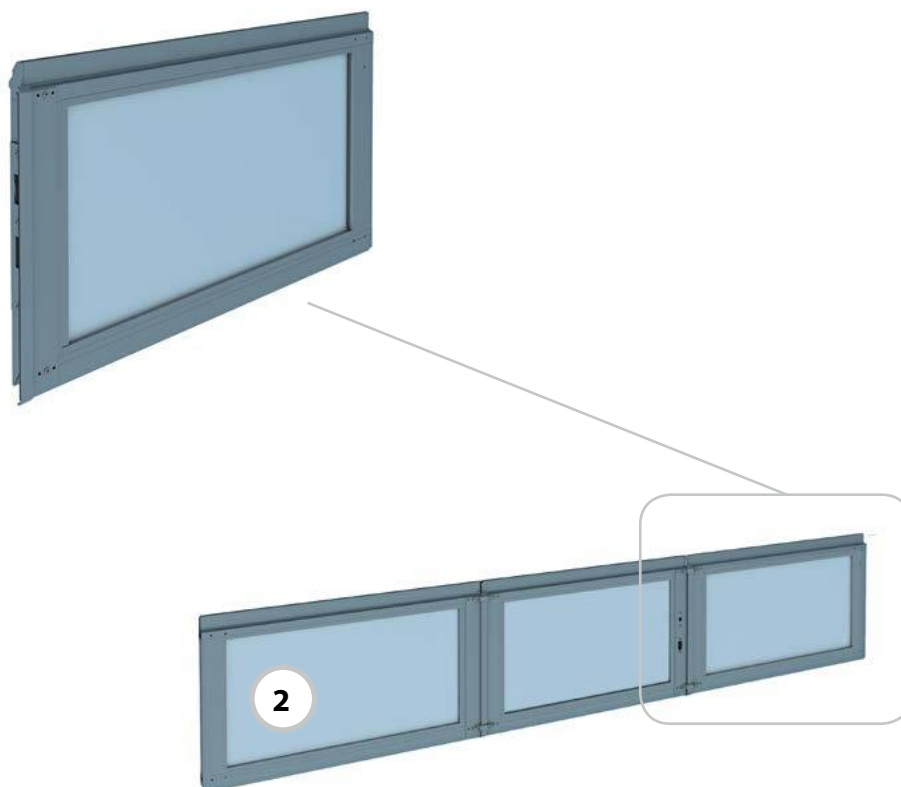
Тип калитки: с плоским порогом 18 мм, с низким порогом 100 мм, со стандартным порогом 145 мм.

Состав: промежуточная панель калитки (боковая часть) с установленными калиточными профилями, планка ригеля.

Единица измеренияшт.

Арт.	Цвет	Применение	Розничная цена, евро с НДС/м ²
LPA-8T	RAL9016, 8014, 9006, 5010, 1015, 3004, 6005, 8017, 7016*	Для ворот с правой калиткой	314,00
	Другой цвет по каталогу RAL*		+15 % к стоимости стандартного цвета
LPA-22T	RAL9016, 8014, 9006, 5010, 1015, 3004, 6005, 8017, 7016*	Для ворот с левой калиткой	314,00
	Другой цвет по каталогу RAL*		+15 % к стоимости стандартного цвета

* Указанные цвета имеют близкое соответствие шкале RAL.



ПАНОРАМНОЕ ПОЛОТНО ВОРОТ С КАЛИТКОЙ

Панель промежуточная

Серия ворот:

- гаражные ворота Trend (ПО вторая и/или третья панели);
- промышленные ворота ProTrend (ПО вторая и/или третья панели).

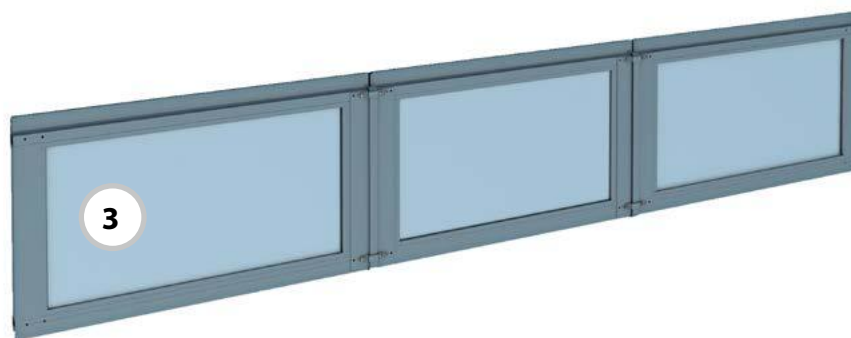
Тип калитки: с плоским порогом 18 мм, с низким порогом 100 мм, со стандартным порогом 145 мм.

Состав: промежуточная калиточная панель с установленными калиточными профилями.

Единица измеренияшт.

Арт.	Цвет	Применение	Розничная цена, евро с НДС/м ²
LPA-32T	RAL9016, 8014, 9006, 5010, 1015, 3004, 6005, 8017, 7016*	Для ворот с правой калиткой	255,00
	Другой цвет по каталогу RAL*		+15 % к стоимости стандартного цвета
LPA-42T	RAL9016, 8014, 9006, 5010, 1015, 3004, 6005, 8017, 7016*	Для ворот с левой калиткой	255,00
	Другой цвет по каталогу RAL*		+15 % к стоимости стандартного цвета

* Указанные цвета имеют близкое соответствие шкале RAL.



Панель промежуточная

Серия ворот:

- гаражные ворота Trend (ПО вторая и/или третья панели);
- промышленные ворота ProTrend (ПО вторая и/или третья панели).

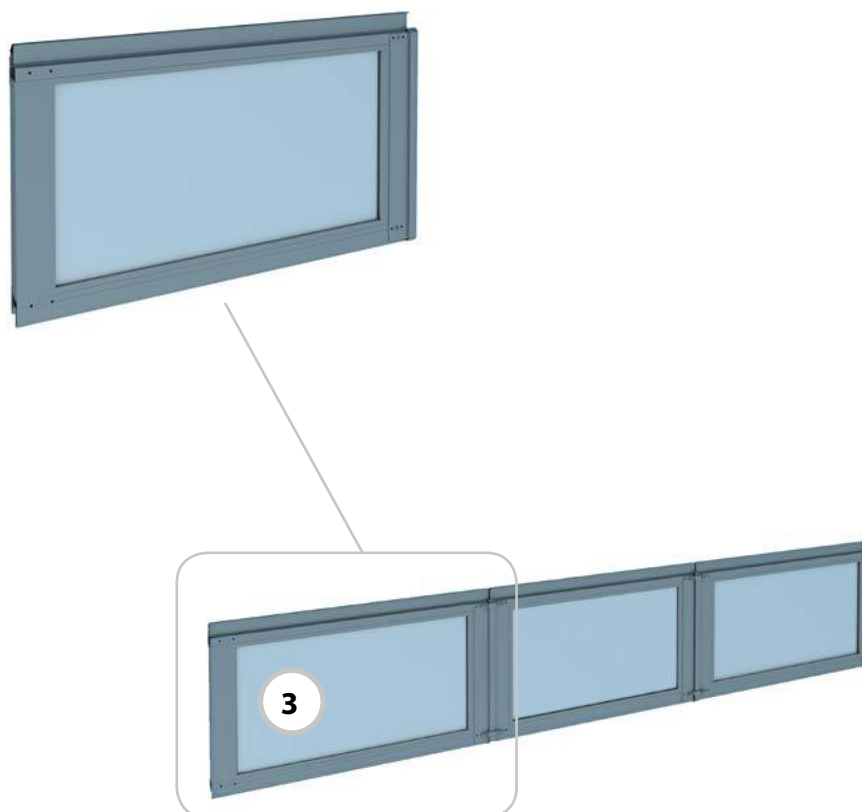
Тип калитки: с плоским порогом 18 мм, с низким порогом 100 мм, со стандартным порогом 145 мм.

Состав: промежуточные панели калитки (боковая часть) с установленными калиточными профилями.

Единица измеренияшт.

Арт.	Цвет	Применение	Розничная цена, евро без НДС/м ²
LPA-33T	RAL9016, 8014, 9006, 5010, 1015, 3004, 6005, 8017, 7016*	Для ворот с правой калиткой	314,00
	Другой цвет по каталогу RAL*		+15 % к стоимости стандартного цвета
LPA-43T	RAL9016, 8014, 9006, 5010, 1015, 3004, 6005, 8017, 7016*	Для ворот с левой калиткой	314,00
	Другой цвет по каталогу RAL*		+15 % к стоимости стандартного цвета

* Указанные цвета имеют близкое соответствие шкале RAL.



ПАНОРАМНОЕ ПОЛОТНО ВОРОТ С КАЛИТКОЙ

Панель промежуточная

Серия ворот:

- гаражные ворота Trend (ПО вторая и/или третья панели);
- промышленные ворота ProTrend (ПО вторая и/или третья панели).

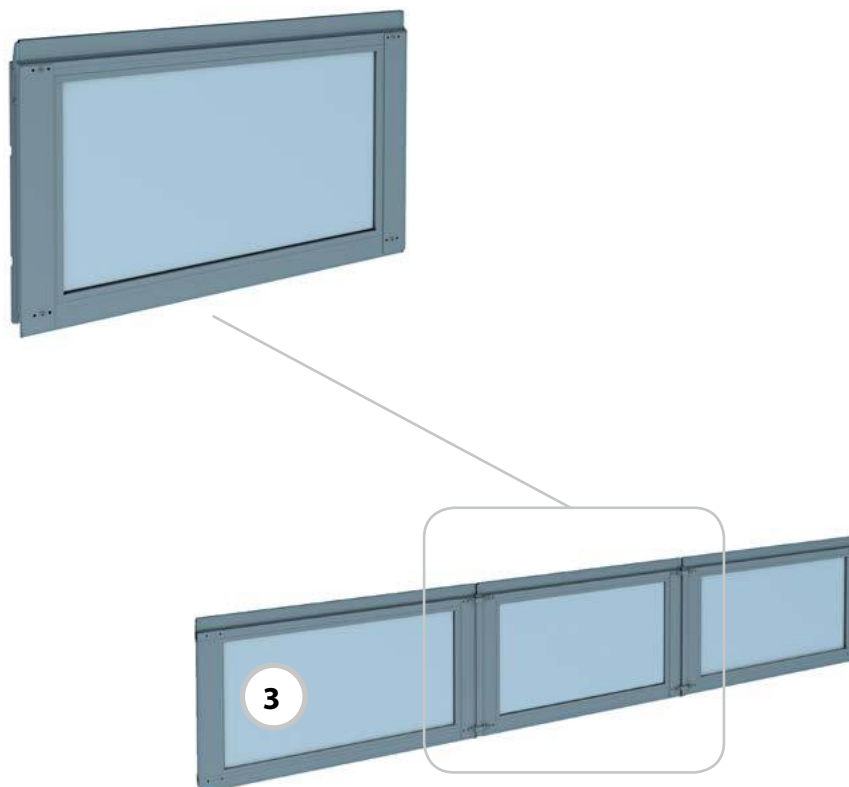
Тип калитки: с плоским порогом 18 мм, с низким порогом 100 мм, со стандартным порогом 145 мм.

Состав: промежуточные панели калитки (центральная часть) с установленными калиточными профилями.

Единица измеренияшт.

Арт.	Цвет	Применение	Розничная цена, евро с НДС/шт.
LPA-34T	RAL9016, 8014, 9006, 5010, 1015, 3004, 6005, 8017, 7016*	Для ворот с правой калиткой	192,00
	Другой цвет по каталогу RAL*		+15 % к стоимости стандартного цвета
LPA-44T	RAL9016, 8014, 9006, 5010, 1015, 3004, 6005, 8017, 7016*	Для ворот с левой калиткой	192,00
	Другой цвет по каталогу RAL*		+15 % к стоимости стандартного цвета

* Указанные цвета имеют близкое соответствие шкале RAL.



Панель промежуточная

Серия ворот:

- гаражные ворота Trend (ПО вторая и/или третья панели);
- промышленные ворота ProTrend (ПО вторая и/или третья панели).

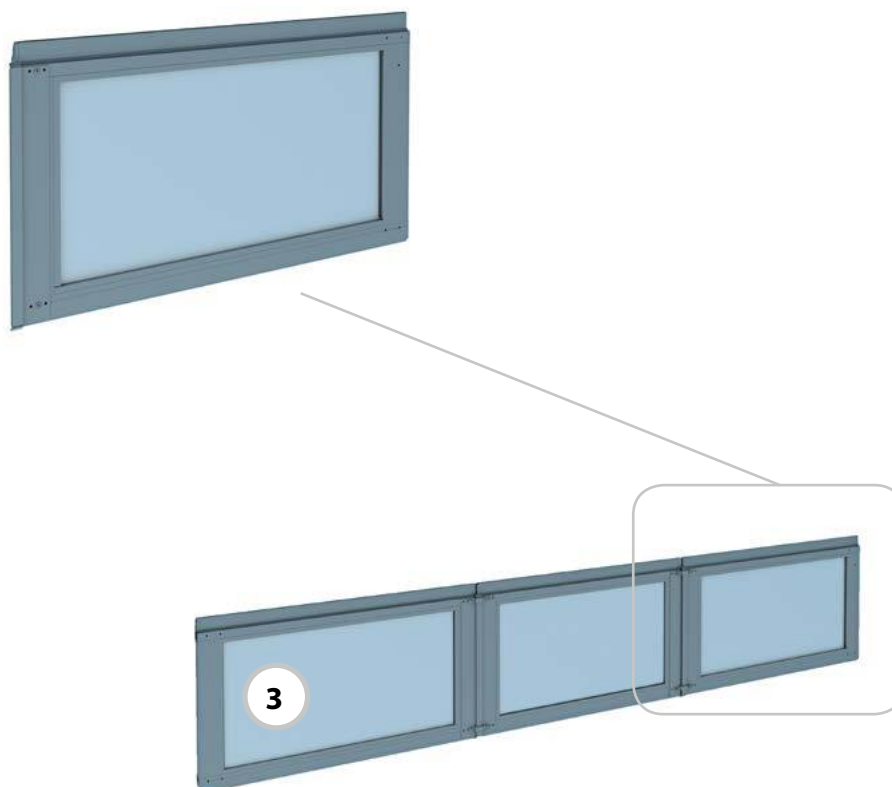
Тип калитки: с плоским порогом 18 мм, с низким порогом 100 мм, со стандартным порогом 145 мм.

Состав: промежуточные панели калитки (боковая часть) с установленными калиточными профилями.

Единица измеренияшт.

Арт.	Цвет*	Применение	Розничная цена, евро с НДС/м ²
LPA-35T	RAL9016, 8014, 9006, 5010, 1015, 3004, 6005, 8017, 7016*	Для ворот с правой калиткой	314,00
	Другой цвет по каталогу RAL*		+ 15 % к стоимости стандартного цвета
LPA-45T	RAL9016, 8014, 9006, 5010, 1015, 3004, 6005, 8017, 7016*	Для ворот с левой калиткой	314,00
	Другой цвет по каталогу RAL*		+ 15 % к стоимости стандартного цвета

* Указанные цвета имеют близкое соответствие шкале RAL.



СИСТЕМА БАЛАНСИРОВКИ ПОЛОТНА ВОРОТ

Механизм пружинно-инерционный

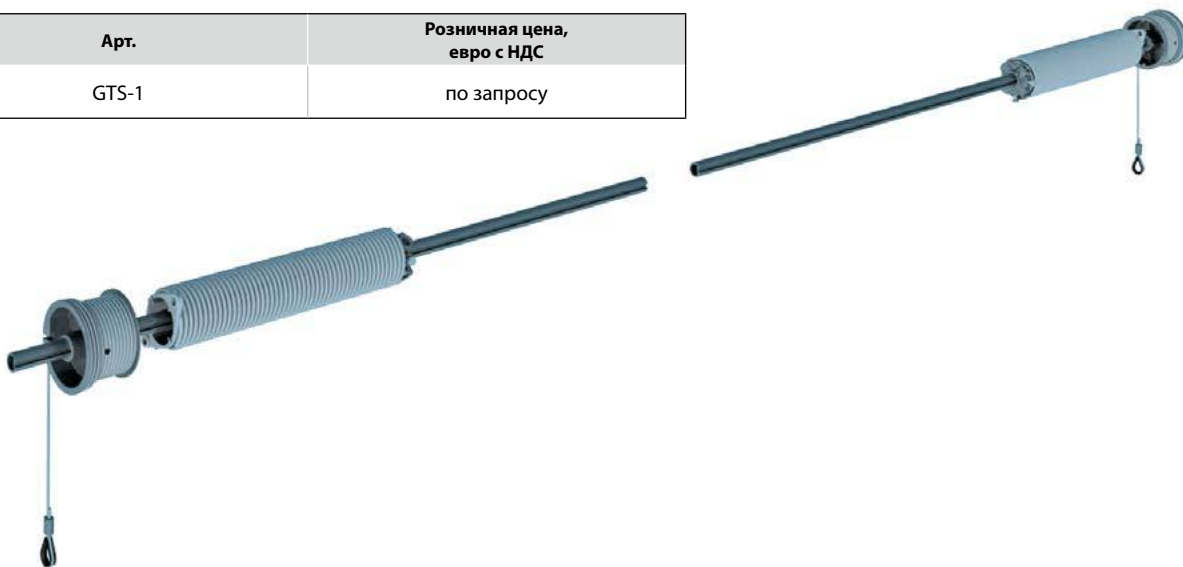
Тип ворот:

- гаражные ворота Trend с торсионными пружинами всех типов монтажа;
- промышленных ворот ProTrend.

Состав: вал (или два вала), пружины с пружинными наконечниками, барабаны, два собранных с коушами троса.

Единица измеренияшт.

Арт.	Розничная цена, евро с НДС
GTS-1	по запросу



Элемент торсионный

Тип ворот:

- гаражные ворота Trend с торсионными пружинами всех типов монтажа;
- промышленных ворот ProTrend.

Состав:

- торсионная пружина с пружинными наконечниками (ТКУ-1—4);
- торсионная пружина с пружинными наконечниками, проставочный профиль (ТКУ-5 — ТКУ-8);
- дуплексная пружина с пружинными наконечниками, проставочный профиль (ТКУ-9, ТКУ-11).

Единица измеренияшт.



Арт.	Диаметр пружины, мм	Тип ворот	Примечание	Розничная цена, евро с НДС/шт.
ТКУ-1	51	Гаражные ворота Trend Промышленные ворота ProTrend	Левая	106,00
ТКУ-2			Правая	106,00
ТКУ-3	67	Гаражные ворота Trend Промышленные ворота ProTrend	Левая	162,00
ТКУ-4			Правая	162,00
ТКУ-5	95	Промышленные ворота ProTrend	Левая	212,00
ТКУ-6			Правая	212,00
ТКУ-7	152	Промышленные ворота ProTrend	Левая	345,00
ТКУ-8			Правая	345,00
ТКУ-9	Дуплексная пружина (95+152 мм)	Промышленные ворота ProTrend	Левая	503,00
ТКУ-11			Правая	503,00

L — длина пружины, м.

СИСТЕМА БАЛАНСИРОВКИ ПОЛОТНА ВОРОТ
Элемент растяжения

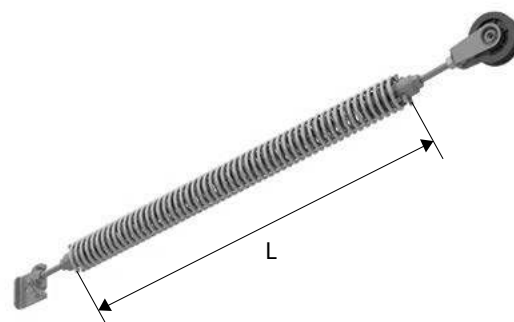
Тип ворот: гаражные ворота Trend с пружинами растяжения.

Состав: пружина растяжения в сборе (внешняя и внутренняя пружина, фиксатор, узел верхний, кронштейн).

Единица измеренияшт.

Арт.	Розничная цена, евро с НДС/шт.
TKU-13	93,00€×L

L — длина пружины, м.


Элемент торсионного вала

Тип ворот:

- гаражные ворота серии Trend с торсионными пружинами всех типов монтажа;
- промышленные ворота ProTrend всех типов монтажа.

Состав: два барабана, два собранных с коушами троса.

Единица измеренияшт.



Арт.	Тип барабана	Типы ворот и монтажа	Розничная цена, евро с НДС/шт.	
			Трос из оцинкованной стали	Трос из нержавеющей стали
TKU-21	CD010N	Гаражные ворота Trend: • стандартный и низкий монтаж.	23,90€+(3,00€/м×L)	23,90€+(9,40€/м×L)
		Промышленные ворота Pro Trend: • стандартный, низкий, наклонный (5-40°), наклонный низкий (5-40°) типы монтажа.		
TKU-22	CD012N	Гаражные ворота Trend: • стандартный и низкий монтаж.	25,90€+(3,00€/м×L)	25,90€+(9,40€/м×L)
		Промышленные ворота Pro Trend: • стандартный, низкий, наклонный (5-40°), наклонный низкий (5-40°) типы монтажа.		
TKU-23	CD018N	Промышленные ворота ProTrend: • стандартный, низкий, наклонный (5-40°), наклонный низкий (5-40°) типы монтажа.	48,00€+(3,80€/м×L)	48,00€+(16,80€/м×L)
TKU-24	CD032N		227,00€+(3,80€/м×L)	227,00€+(16,80€/м×L)
TKU-25	CD032N-5/4		227,00€+(3,80€/м×L)	227,00€+(16,80€/м×L)
TKU-26	CD054H	Промышленные ворота ProTrend: • высокий и наклонный высокий (5-40°) монтаж с верхним расположением вала, высокий и наклонный высокий (5-40°) монтаж с нижним расположением вала.	61,90€+(3,00€/м×L)	61,90€+(9,40€/м×L)
TKU-27	CD120H	Промышленные ворота ProTrend: • высокий и наклонный высокий (5-40°) монтаж с верхним расположением вала, высокий и наклонный высокий (5-40°) монтаж с нижним расположением вала.	89,00€+(3,80€/м×L)	89,00€+(16,80€/м×L)
TKU-28	CD164H		270,00€+(3,80€/м×L)	270,00€+(16,80€/м×L)
TKU-29	CD164H-5/4		270,00€+(3,80€/м×L)	270,00€+(16,80€/м×L)
TKU-30	CD011V	Промышленные ворота ProTrend: • вертикальный монтаж с верхним и нижним расположением вала, все типы наклонных монтажей (45°).	64,00€+(3,80€/м×L)	64,00€+(16,80€/м×L)
TKU-31	CD018V		124,00€+(3,80€/м×L)	124,00€+(16,80€/м×L)
TKU-32	CD018V-5/4		124,00€+(3,80€/м×L)	124,00€+(16,80€/м×L)

L — суммарная длина двух тросов, м

СИСТЕМА НАПРАВЛЯЮЩИХ

Стойка вертикальная

Тип ворот: гаражные ворота Trend с торсионными пружинами.
Тип монтажа: стандартный.

Состав: угловой профиль, вертикальная направляющая, боковой уплотнитель, кронштейн, ограничитель угловой стойки

Единица измеренияшт.

Арт.	Примечание	Розничная цена, евро с НДС/шт.
НKG-4T	Левая	22,00€/м×Н
НKG-5T	Правая	22,00€/м×Н

Н — высота проема, м.



Стойка вертикальная

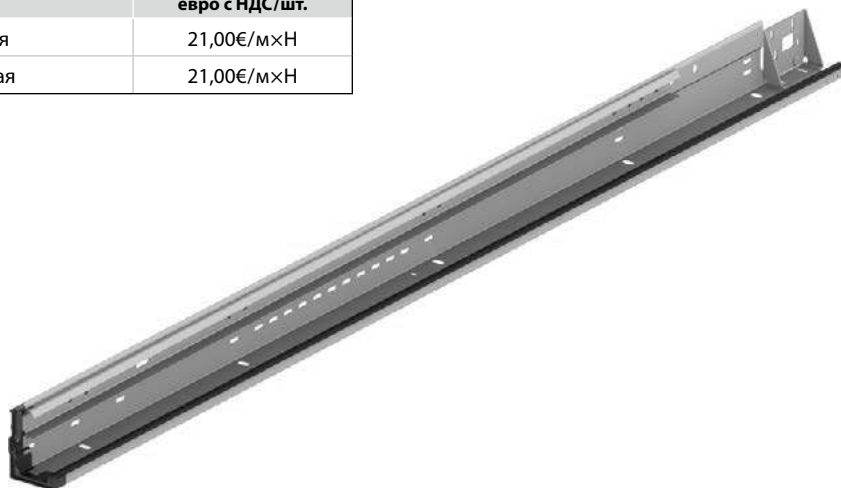
Тип ворот: гаражные ворота Trend с торсионными пружинами.
Тип монтажа: низкий монтаж .

Состав: угловой профиль, вертикальная направляющая, боковой уплотнитель, кронштейн, ограничитель угловой стойки

Единица измеренияшт.

Арт.	Примечание	Розничная цена, евро с НДС/шт.
НKG-9T	Левая	21,00€/м×Н
НKG-10T	Правая	21,00€/м×Н

Н — высота проема, м.



Стойка вертикальная

Тип ворот: гаражные ворота Trend с пружинами растяжения

Состав: угловой профиль, вертикальная направляющая, боковой уплотнитель, кронштейн, ограничитель угловой стойки, пластина.

Единица измеренияшт.

Арт.	Примечание	Розничная цена, евро с НДС/шт.
НKG-18Т	Левая	18,00€/м×Н
НKG-19Т	Правая	18,00€/м×Н

Н — высота проема, м.



СИСТЕМА НАПРАВЛЯЮЩИХ

Стойка вертикальная

Тип ворот: промышленные ворота ProTrend.
Тип монтажа: стандартный.

Состав: угловой профиль, вертикальная направляющая, соединительные пластины, боковой уплотнитель.

Единица измеренияшт.

Арт.	Применение (система подвеса)	Примечание	Розничная цена, евро с НДС/шт.
НКI-10	GSH-4	Левая	24,00€/м×Н
НКI-11		Правая	24,00€/м×Н
НКI-14	GSH-5	Левая, нижняя часть	24,00€/м×(Н-1,5)
НКI-15		Правая, нижняя часть	24,00€/м×(Н-1,5)
НКI-16	GSH-5	Левая, верхняя часть	38,00
НКI-17		Правая, верхняя часть	38,00

Н — высота проема, м.



Угловая стойка, состоящая из цельного профиля
(НКI-10, 11)



Нижняя часть
(НКI-14, 15)



Верхняя часть
(НКI-16, 17)

Угловая стойка,
состоящая из двух отдельных частей

Стойка вертикальная

Тип ворот: промышленные ворота ProTrend.

Тип монтажа: высокий монтаж с верхним расположением вала.

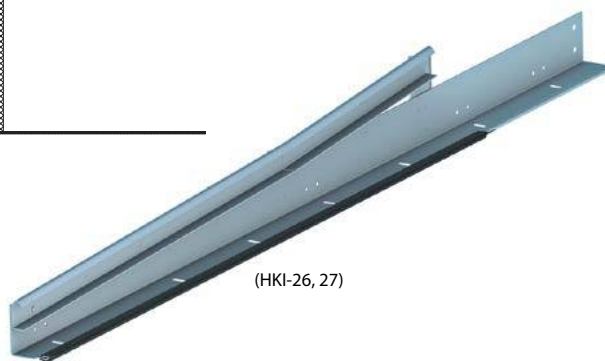
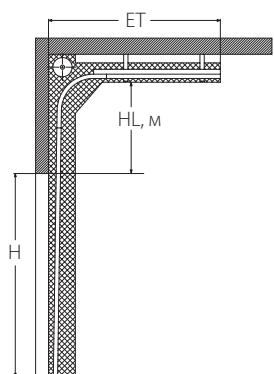
Состав: угловой профиль, вертикальная направляющая, соединительные пластины, боковой уплотнитель.

Единица измеренияшт.

Арт.	Применение (система подвеса)	Примечание	Розничная цена, евро с НДС/шт.
HKI-20	GSH-6	Левая, нижняя часть	23,00€/м×H
HKI-21		Правая, нижняя часть	23,00€/м×H
HKI-22	GSH-6	Левая, верхняя часть	23,00€/м×(HL-0,2)
HKI-23		Правая, верхняя часть	23,00€/м×(HL-0,2)
HKI-26	GSH-7	Левая	22,00€/м×(H+HL)
HKI-27		Правая	22,00€/м×(H+HL)
HKI-30	GSH-8	Левая	25,50€/м×(H+HL)
HKI-31		Правая	25,50€/м×(H+HL)

H — высота проема, м.

HL — высота от верха проема до горизонтальной направляющей, м.



(HKI-26, 27)



(HKI-30, 31)

Угловая стойка, состоящая из цельного профиля



Нижняя часть
(HKI-20, 21)



Верхняя часть
(HKI-22, 23)

Угловая стойка, состоящая из двух отдельных частей

СИСТЕМА НАПРАВЛЯЮЩИХ

Стойка вертикальная

Тип ворот: промышленные ворота ProTrend.

Тип монтажа: высокий монтаж с нижним расположением вала.

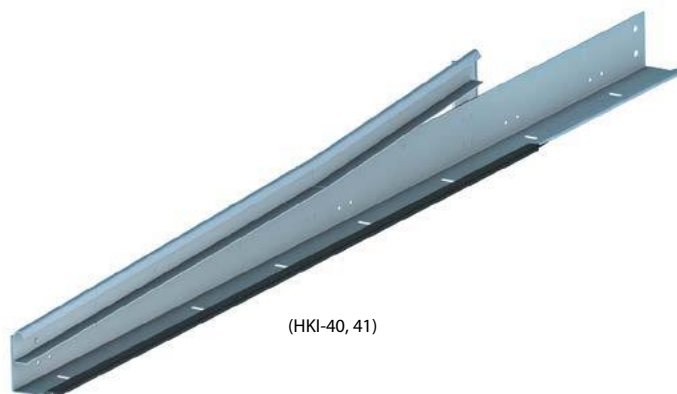
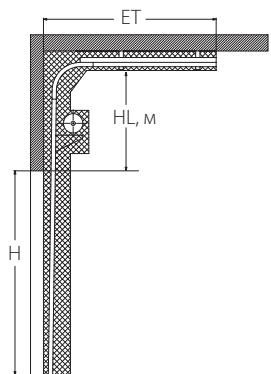
Состав: угловой профиль, вертикальная направляющая, соединительные пластины, боковой уплотнитель.

Единица измеренияшт.

Арт.	Применение (система подвеса)	Примечание	Розничная цена, евро с НДС/шт.
HKI-34	GSH-9	Левая, нижняя часть	25,50€/м×H
HKI-35		Правая, нижняя часть	25,50€/м×H
HKI-36	GSH-9	Левая, верхняя часть	27,00€/м×(HL-0,2)
HKI-37		Правая, верхняя часть	27,00€/м×(HL-0,2)
HKI-40	GSH-10	Левая	25,00€/м×(H+HL)
HKI-41		Правая	25,00€/м×(H+HL)

H — высота проема, м.

HL — высота от верха проема до горизонтальной направляющей, м.



Угловая стойка,
состоящая из цельного профиля



Нижняя часть
(HKI-34, 35)



Верхняя часть
(HKI-36, 37)

Угловая стойка,
состоящая из двух отдельных частей

Стойка вертикальная

Тип ворот: промышленные ворота ProTrend.

Тип монтажа: вертикальный монтаж с верхним расположением вала.

Состав: угловой профиль, вертикальная направляющая, соединительные пластины, боковой уплотнитель.

Единица измеренияшт.

Арт.	Применение (система подвеса)	Примечание	Розничная цена, евро с НДС/шт.
НКI-48	GSH-12	Левая, нижняя часть	23,00€/м×Н
НКI-49		Правая, нижняя часть	23,00€/м×Н
НКI-50	GSH-12	Левая, верхняя часть	25,50€/м×Н
НКI-51		Правая, верхняя часть	25,50€/м×Н
НКI-52	GSH-13	Левая	24,00€/м×Н×2
НКI-53		Правая	24,00€/м×Н×2

Н — высота проема, м.

04


 (НКI-52, 53)
 Угловая стойка,
 состоящая из цельного профиля

 Нижняя часть
 (НКI-48, 49)

 Верхняя часть
 (НКI-50, 51)

 Угловая стойка,
 состоящая из двух отдельных частей

СИСТЕМА НАПРАВЛЯЮЩИХ

Стойка вертикальная

Тип ворот: промышленные ворота ProTrend.

Тип монтажа: вертикальный монтаж с нижним расположением вала.

Состав: угловой профиль, вертикальная направляющая, соединительные пластины, боковой уплотнитель.

Единица измеренияшт.

Арт.	Применение (система подвеса)	Примечание	Розничная цена, евро с НДС/шт.
НКI-54	GSH-14	Левая	24,00€/м×Н×2
НКI-55		Правая	24,00€/м×Н×2
НКI-60	GSH-16	Левая	18,00€/м×Н×3
НКI-61		Правая	18,00€/м×Н×3
НКI-56	GSH-15	Левая, нижняя часть	24,00€/м×Н
НКI-57		Правая, нижняя часть	24,00€/м×Н
НКI-58	GSH-15	Левая, верхняя часть	23,00€/м×Н
НКI-59		Правая, верхняя часть	23,00€/м×Н

Н — высота проема, м.



(НКI-54, 55, 60, 61)

Угловая стойка,
состоящая из цельного профиля



Нижняя часть
(НКI-56, 57)



Верхняя часть
(НКI-58, 59)

Угловая стойка,
состоящая из двух отдельных частей

Стойка вертикальная

Тип ворот: промышленные ворота ProTrend.
 Тип монтажа: наклонный.

Состав: угловой профиль, вертикальная направляющая, соединительные пластины, боковой уплотнитель.

Единица измеренияшт.

Арт.	Применение (система подвеса)	Примечание	Розничная цена, евро с НДС/шт.
НКI-62	GSH-19	Левая	27,00€/м×Н
НКI-63		Правая	27,00€/м×Н
НКI-66	GSH-20	Левая, нижняя часть	27,50€/м×(Н-1,5)
НКI-67		Правая, нижняя часть	27,50€/м×(Н-1,5)
НКI-68	GSH-20	Левая, верхняя часть	47,00
НКI-69		Правая, верхняя часть	47,00

Н — высота проема, м.



(НКI-62, 63)
 Угловая стойка,
 состоящая из цельного профиля



Нижняя часть
 (НКI-66, 67)



Верхняя часть
 (НКI-68, 69)

Угловая стойка,
 состоящая из двух отдельных частей

СИСТЕМА НАПРАВЛЯЮЩИХ

Стойка вертикальная

Тип ворот: промышленные ворота ProTrend.

Тип монтажа: наклонный высокий монтаж с верхним расположением вала.

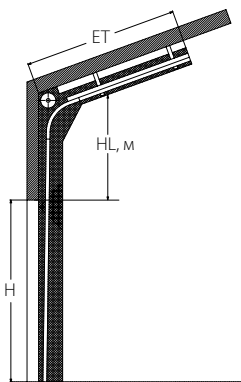
Состав: угловой профиль, вертикальная направляющая, соединительные пластины, боковой уплотнитель.

Единица измеренияшт.

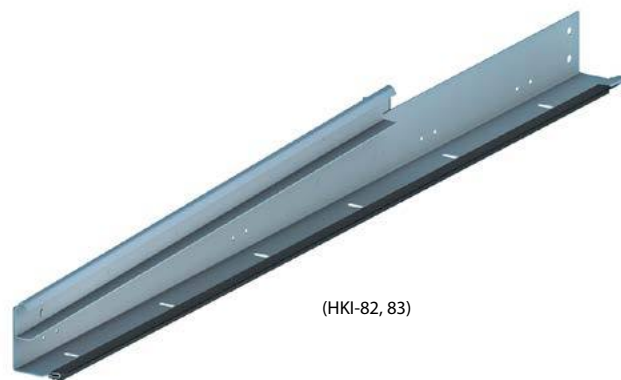
Арт.	Применение (система подвеса)	Примечание	Розничная цена, евро с НДС/шт.
НКI-72	GSH-21	Левая, нижняя часть	26,00€/м×Н
НКI-73		Правая, нижняя часть	26,00€/м×Н
НКI-74	GSH-21	Левая, верхняя часть	28,00€/м×(НL-0,2)
НКI-75		Правая, верхняя часть	28,00€/м×(НL-0,2)
НКI-78	GSH-22	Левая	25,50€/м×(Н+НL)
НКI-79		Правая	25,50€/м×(Н+НL)
НКI-82	GSH-23	Левая	25,00€/м×(Н+НL)
НКI-83		Правая	25,00€/м×(Н+НL)

Н — высота проема, м.

НL — высота от верха проема до горизонтальной направляющей, м.



(НКI-78, 79)



(НКI-82, 83)

Угловая стойка,
состоящая из цельного профиля



Нижняя часть
(НКI-72, 73)



Верхняя часть
(НКI-74, 75)

Угловая стойка,
состоящая из двух отдельных частей

Стойка вертикальная

Тип ворот: промышленные ворота ProTrend.

Тип монтажа: наклонный высокий монтаж с нижним расположением вала.

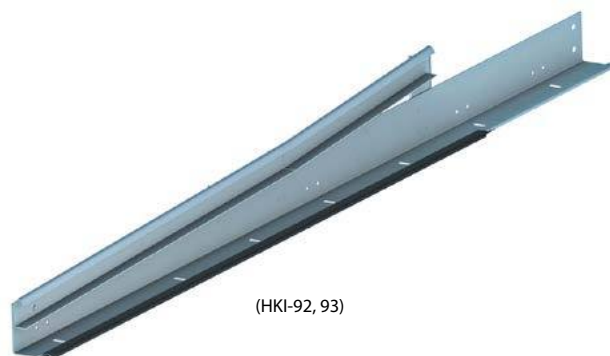
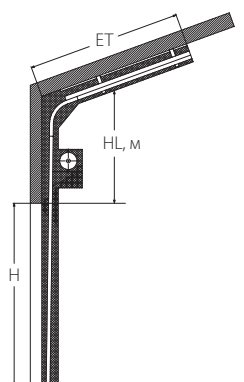
Состав: угловой профиль, вертикальная направляющая, соединительные пластины, боковой уплотнитель.

Единица измеренияшт.

Арт.	Применение (система подвеса)	Примечание	Розничная цена, евро с НДС/шт.
HKI-86	GSH-24	Левая, нижняя часть	26,00€/м×H
HKI-87		Правая, нижняя часть	26,00€/м×H
HKI-88	GSH-24	Левая, верхняя часть	38,00€/м×(HL-0,2)
HKI-89		Правая, верхняя часть	38,00€/м×(HL-0,2)
HKI-92	GSH-25	Левая	24,50€/м×(H+HL)
HKI-93		Правая	24,50€/м×(H+HL)

H — высота проема, м.

HL — высота от верха проема до горизонтальной направляющей, м.



(HKI-92, 93)

Угловая стойка, состоящая из цельного профиля



Нижняя часть (HKI-86, 87)



Верхняя часть (HKI-88, 89)

Угловая стойка, состоящая из двух отдельных частей

СИСТЕМА НАПРАВЛЯЮЩИХ

Стойка вертикальная

Тип ворот: промышленные ворота ProTrend.
Тип монтажа: низкий.

Состав: угловой профиль, вертикальная направляющая, соединительные пластины, боковой уплотнитель, кронштейн для установки шкива.

Единица измеренияшт.

Арт.	Применение (система подвеса)	Примечание	Розничная цена, евро с НДС/шт.
НКИ-108	GSH-17	Левая	25,50€/м×Н
НКИ-109		Правая	25,50€/м×Н
НКИ-110	GSH-18	Левая, нижняя часть	25,50€/м×(Н-1,5)
НКИ-111		Правая, нижняя часть	25,50€/м×(Н-1,5)
НКИ-112	GSH-18	Левая, верхняя часть	38,00
НКИ-113		Правая, верхняя часть	38,00

Н — высота проема, м



(НКИ-108, 109)
Угловая стойка,
состоящая из цельного профиля



Нижняя часть
(НКИ-110, 111)



Верхняя часть
(НКИ-112, 113)

Угловая стойка,
состоящая из двух отдельных частей

Стойка вертикальная

Тип ворот: промышленные ворота ProTrend.
 Тип монтажа: наклонный низкий.

Состав: угловой профиль, вертикальная направляющая, соединительные пластины, боковой уплотнитель, кронштейн для установки шкива.

Единица измеренияшт.

Арт.	Применение (система подвеса)	Примечание	Розничная цена, евро с НДС/шт.
НКИ-114	GSH-27	Левая	28,00€/м×Н
НКИ-115		Правая	28,00€/м×Н
НКИ-116	GSH-28	Левая, нижняя часть	27,00€/м×(Н-1,5)
НКИ-117		Правая, нижняя часть	27,00€/м×(Н-1,5)
НКИ-118	GSH-28	Левая, верхняя часть	45,00
НКИ-119		Правая, верхняя часть	45,00

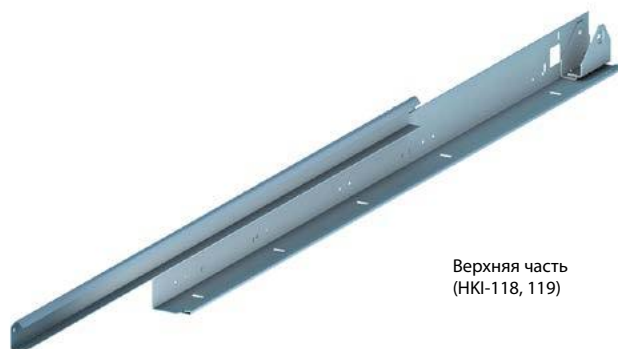
Н — высота проема, м.



(НКИ-114, 115)
 Угловая стойка,
 состоящая из цельного профиля



Нижняя часть
 (НКИ-116, 117)



Верхняя часть
 (НКИ-118, 119)

Угловая стойка,
 состоящая из двух отдельных частей

СИСТЕМА НАПРАВЛЯЮЩИХ

Нацельник

Тип ворот:

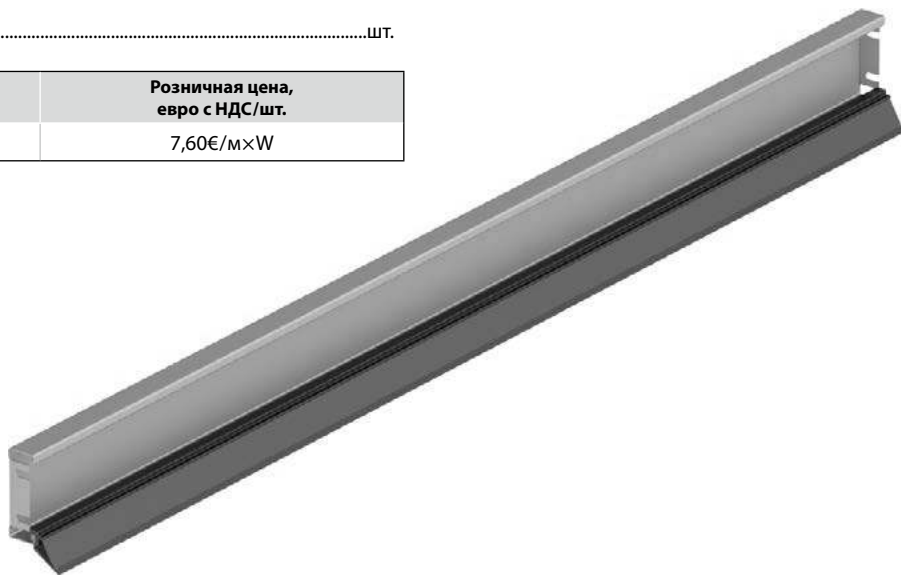
- гаражные ворота Trend с пружинами растяжения;
- гаражные ворота Trend низкого и стандартного типов монтажа.

Состав: профиль передний, вставка уплотнительная верхняя.

Единица измеренияшт.

Арт.	Розничная цена, евро с НДС/шт.
НКГ-6Т	7,60€/м×W

W — ширина проема, м.



Нацельник

Тип ворот: промышленные ворота серии ProTrend низкого и наклонного низкого типов монтажа.

Состав: профиль передний, вставка уплотнительная боковая.

Единица измеренияшт.

Арт.	Розничная цена, евро с НДС/шт.
НКЛ-120	8,00€/м×W

W — ширина проема, м.



Направляющая горизонтальная

Тип ворот:

- гаражные ворота Trend с пружинами растяжения;
- гаражные ворота Trend стандартного типа монтажа.

Состав: профиль направляющий горизонтальный, узел направляющий передний, соединительная пластина.

Единица измеренияшт.

Арт.	Тип монтажа	Примечание	Розничная цена, евро с НДС/шт.
НKG-7Т	Стандартный	Левая	16,00€/м×Н
НKG-8Т		Правая	16,00€/м×Н
НKG-16Т	Пружины растяжения	Левая	16,00€/м×Н
НKG-17Т		Правая	16,00€/м×Н

Н — высота проема, м.


Направляющая горизонтальная

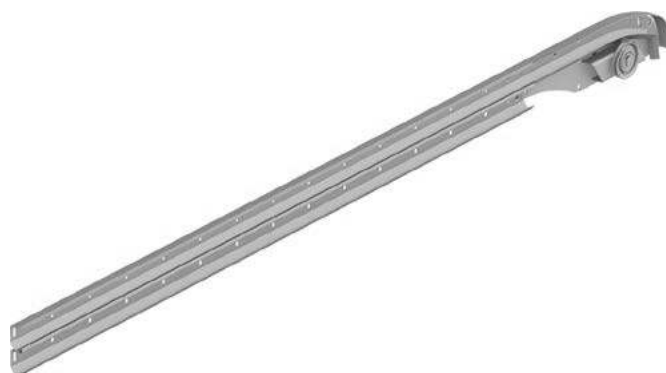
Тип ворот: гаражные ворота Trend низкого типа монтажа.

Состав: профиль направляющий горизонтальный, узел направляющий передний, соединительная пластина.

Единица измеренияшт.

Арт.	Розничная цена, евро с НДС/шт.
НKG-12Т	17,00€/м×Н
НKG-13Т	17,00€/м×Н

Н — высота проема, м.



СИСТЕМА НАПРАВЛЯЮЩИХ

Направляющая горизонтальная

Тип ворот: промышленные ворота ProTrend всех типов монтажа.

Состав: профиль направляющий горизонтальный, узел передний, соединительные пластины.

Единица измеренияшт.



Арт.	Тип монтажа	Применение (система подвеса)	Примечание	Розничная цена, евро с НДС/шт.
НКI-12	Стандартный	GSH-4	Левая	11,70€/м×Н
НКI-13			Правая	11,70€/м×Н
НКI-18		GSH-5	Левая	11,50€/м×Н
НКI-19			Правая	11,50€/м×Н
НКI-24	Высокий с верхним расположением вала	GSH-6	Левая	19,50€/м×Н
НКI-25			Правая	19,50€/м×Н
НКI-28		GSH-7	Левая	19,50€/м×Н
НКI-29			Правая	19,50€/м×Н
НКI-32		GSH-8	Левая	19,50€/м×Н
НКI-33			Правая	19,50€/м×Н
НКI-38	Высокий с нижним расположением вала	GSH-9	Левая	14,50€/м×Н
НКI-39			Правая	14,50€/м×Н
НКI-42		GSH-10	Левая	14,50€/м×Н
НКI-43			Правая	14,50€/м×Н
НКI-64	Наклонный	GSH-19	Левая	22,50€/м×Н
НКI-65			Правая	22,50€/м×Н
НКI-70		GSH-20	Левая	22,50€/м×Н
НКI-71			Правая	22,50€/м×Н
НКI-76	Наклонный высокий с верхним расположением вала	GSH-21	Левая	19,50€/м×Н
НКI-77			Правая	19,50€/м×Н
НКI-80		GSH-22	Левая	19,50€/м×Н
НКI-81			Правая	19,50€/м×Н
НКI-84		GSH-23	Левая	18,00€/м×Н
НКI-85			Правая	18,00€/м×Н
НКI-90	Наклонный высокий с нижним расположением вала	GSH-24	Левая	14,00€/м×Н
НКI-91			Правая	14,00€/м×Н
НКI-94		GSH-25	Левая	14,00€/м×Н
НКI-95			Правая	14,00€/м×Н
НКI-100	Низкий	GSH-17	Левая	22,00€/м×Н
НКI-101			Правая	22,00€/м×Н
НКI-102		GSH-18	Левая	22,00€/м×Н
НКI-103			Правая	22,00€/м×Н
НКI-104	Наклонный низкий	GSH-27	Левая	22,50€/м×Н
НКI-105			Правая	22,50€/м×Н
НКI-106		GSH-28	Левая	22,50€/м×Н
НКI-107			Правая	22,50€/м×Н

Н — высота проема, м.

Система направляющих

Тип ворот:

- гаражные ворота Trend с пружинами растяжения;
- гаражные ворота Trend низкого и стандартного типов монтажа.

Состав: система горизонтальных и вертикальных направляющих (правая и левая), радиусные элементы, боковой уплотнитель, нащельник с уплотнителем, мерная планка.

Единица измеренияшт.

Арт.	Тип ворот	Тип монтажа	Розничная цена, евро с НДС/шт. Рассчитывается по формуле:
GSH-1T	Стандартный	Стандартный	HKG-4T+HKG-5T+HKG-7T+HKG-8T+HKG-6T+PRG-33×W+19,60€
GSH-2T	Низкий	Низкий	HKG-9T+HKG-10T+HKG-12T+HKG-13T+HKG-6T+PRG-33×W+18,60€
GSH-9T	Пружины растяжения	—	HKG-18T+HKG-19T+HKG-16T+HKG-17T+HKG-6T+PRG-33×W+18,60€

W — ширина проема, м.

Прайс-лист на комплектующие для расчетной формулы расположены на стр.132, 260-261, 272-743.


Стандартный монтаж

Низкий монтаж

Пружины растяжения

СИСТЕМА НАПРАВЛЯЮЩИХ

Система направляющих

Тип ворот: промышленные ворота ProTrend стандартного и высоких типов монтажа.

Состав: система горизонтальных и вертикальных направляющих (правая и левая), радиусные элементы, боковой уплотнитель, мерная планка.

Единица измеренияшт.

Арт.	Тип монтажа	Розничная цена, евро с НДС/шт. Рассчитывается по формуле:
GSH-4	Стандартный	HKI-10+HKI-11+HKI-12+HKI-13+PRG07N×W+19,00€
GSH-5		HKI-14+HKI-15+HKI-16+HKI-17+HKI-18+HKI-19+PRG07N×W+19,00€
GSH-6	Высокий с верхним расположением вала	HKI-20+HKI-21+HKI-22+HKI-23+HKI-24+HKI-25+PRG07N×W+19,00€
GSH-7		HKI-26+HKI-27+HKI-28+HKI-29+PRG07N×W+19,00€
GSH-8		HKI-30+HKI-31+HKI-32+HKI-33+PRG07N×W+19,00€
GSH-9	Высокий с нижним расположением вала	HKI-34+HKI-35+HKI-36+HKI-37+HKI-38+HKI-39+PRG07N×W+19,00€
GSH-10		HKI-40+HKI-41+HKI-42+HKI-43+PRG07N×W+19,00€

W — ширина проема, м.

Прайс-лист на комплектующие для расчетной формулы расположены на стр. 133, 262, 274.



Стандартный монтаж



Высокий монтаж с верхним расположением вала



Высокий монтаж с нижним расположением вала

Система направляющих

Тип ворот: промышленные ворота ProTrend низких типов монтажа.

Состав: система горизонтальных и вертикальных направляющих (правая и левая), радиусные элементы, боковой уплотнитель, мерная планка, кронштейн под установку шкива.

Единица измеренияшт.

Арт.	Тип монтажа	Розничная цена, евро с НДС/шт. Рассчитывается по формуле:
GSH-17	Низкий	HKI-108+HKI-109+HKI-100+HKI-101+HKG-11+PRG07×W+19,00€
GSH-18		HKI-110+HKI-111+HKI-112+HKI-113+HKI-102+HKI-103+HKG-11+PRG07×W+19,00€
GSH-27	Наклонный низкий	HKI-114+HKI-115+HKI-104+HKI-105+HKG-11+PRG07×W+16,80€
GSH-28		HKI-116+HKI-117+HKI-118+HKI-119+HKI-106+HKI-107+HKG-11+PRG07×W+16,80€

W — ширина проема, м.

Прайс-лист на комплектующие для расчетной формулы расположены на стр.134, 270-272, 274.



Низкий монтаж



Наклонный низкий

СИСТЕМА НАПРАВЛЯЮЩИХ

Система направляющих

Тип ворот: промышленные ворота ProTrend вертикальных типов монтажа.

Состав: система вертикальных направляющих (правая и левая), боковой уплотнитель, мерная планка.

Единица измеренияшт.

Арт.	Тип монтажа	Розничная цена, евро с НДС/шт. Рассчитывается по формуле:
GSH-12	Вертикальный с верхним расположением вала	HKI-48+HKI-49+HKI-50+HKI-51+PRG07N×W+2,10€
GSH-13		HKI-52+HKI-53+PRG07N×W+2,10€
GSH-14	Вертикальный с нижним расположением вала	HKI-54+HKI-55+PRG07N×W+2,10€
GSH-15		HKI-56+HKI-57+HKI-58+HKI-59+PRG07N×W+2,10€
GSH-16		HKI-60+HKI-61+PRG07N×W+2,10€

W — ширина проема, м.

Прайс-лист на комплектующие для расчетной формулы расположены на стр.133, 265-266.



Вертикальный монтаж с верхним расположением вала



Вертикальный монтаж с нижним расположением вала

Система направляющих

Тип ворот: промышленные ворота ProTrend наклонных типов монтажа.

Состав: система вертикальных и горизонтальных направляющих (правая и левая), радиусные элементы, боковой уплотнитель, мерная планка.

Единица измеренияшт.

Арт.	Тип монтажа	Розничная цена, евро с НДС/шт. Рассчитывается по формуле:
GSH-19	Наклонный	HKI-62+HKI-63+HKI-64+HKI-65+PRG07N×W+16,80€
GSH-20		HKI-66+HKI-67+HKI-68+HKI-69+HKI-70+HKI-71+PRG07N×W+16,80€
GSH-21	Наклонный высокий с верхним расположением вала	HKI-72+HKI-73+HKI-74+HKI-75+HKI-76+HKI-77+PRG07N×W+16,80€
GSH-22		HKI-78+HKI-79+HKI-80+HKI-81+PRG07N×W+16,80€
GSH-23		HKI-82+HKI-83+HKI-84+HKI-85+PRG07N×W+16,80€
GSH-24	Наклонный высокий с нижним расположением вала	HKI-86+HKI-87+HKI-88+HKI-89+HKI-90+HKI-91+PRG07N×W+16,80€
GSH-25		HKI-92+HKI-93+HKI-94+HKI-95+PRG07N×W+16,80€

W — ширина проема, м.

Прайс-лист на комплектующие для расчетной формулы расположены на стр. 133, 267-269, 274.



Наклонный высокий монтаж с нижним расположением вала



Наклонный высокий монтаж с верхним расположением вала



Наклонный

По вопросам продаж и поддержки обращайтесь: ahc@nt-rt.ru

www.alutech.nt-rt.ru

Архангельск (8182)63-90-72,
Астана+7(7172)727-132,
Белгород(4722)40-23-64,
Брянск(4832)59-03-52,
Владивосток(423)249-28-31,
Волгоград(844)278-03-48,
Вологда(8172)26-41-59,
Воронеж(473)204-51-73,
Екатеринбург(343)384-55-89,
Иваново(4932)77-34-06,
Ижевск(3412)26-03-58,
Казань(843)206-01-48,
Калининград(4012)72-03-81,
Калуга(4842)92-23-67,
Кемерово(3842)65-04-62,
Киров(8332)68-02-04,

Краснодар(861)203-40-90,
Красноярск(391)204-63-61,
Курск(4712)77-13-04,
Липецк(4742)52-20-81,
Магнитогорск(3519)55-03-13,
Москва(495)268-04-70,
Мурманск(8152)59-64-93,
НабережныеЧелны(8552)20-53-41,
НижнийНовгород(831)429-08-12,
Новокузнецк(3843)20-46-81,
Новосибирск(383)227-86-73,
Орел(4862)44-53-42,
Оренбург(3532)37-68-04,
Пенза(8412)22-31-16,
Пермь(342)205-81-47,
Ростов-на-Дону(863)308-18-15,

Рязань(4912)46-61-64,
Самара(846)206-03-16,
Санкт-Петербург(812)309-46-40,
Саратов(845)249-38-78,
Смоленск(4812)29-41-54,
Сочи(862)225-72-31,
Ставрополь(8652)20-65-13,
Тверь(4822)63-31-35,
Томск(3822)98-41-53,
Тула(4872)74-02-29,
Тюмень(3452)66-21-18,
Ульяновск(8422)24-23-59,
Уфа(347)229-48-12,
Челябинск(351)202-03-61,
Череповец(8202)49-02-64,
Ярославль(4852)69-52-93,